



US00D330498S

United States Patent [19]
Ronan

[11] **Patent Number: Des. 330,498**
[45] **Date of Patent: ** Oct. 27, 1992**

[54] **TAPE SLITTER**

3,982,455 9/1976 Bowman 83/444
4,345,497 8/1982 Cobleigh et al. 83/425

[76] **Inventor: John S. Ronan, 7951 Cole St.,
Downey, Calif. 90242**

Primary Examiner—Bernard Ansher
Assistant Examiner—Philip Hyder

[**] **Term: 14 Years**

[57] **CLAIM**

[21] **Appl. No.: 434,130**

The ornamental design for a tape splitter, as shown.

[22] **Filed: Nov. 13, 1989**

[52] **U.S. Cl. D8/98**

DESCRIPTION

[58] **Field of Search D8/98; 83/444, 425,
83/469; 407/102**

FIG. 1 is a perspective view of a tape splitter showing my new design;

[56] **References Cited**

U.S. PATENT DOCUMENTS

D. 265,963 8/1982 Murdock et al. D8/98
D. 278,792 5/1985 Williams D8/98
D. 316,364 4/1991 Isaacson et al. D8/98

FIG. 2 is a left side elevational view thereof;

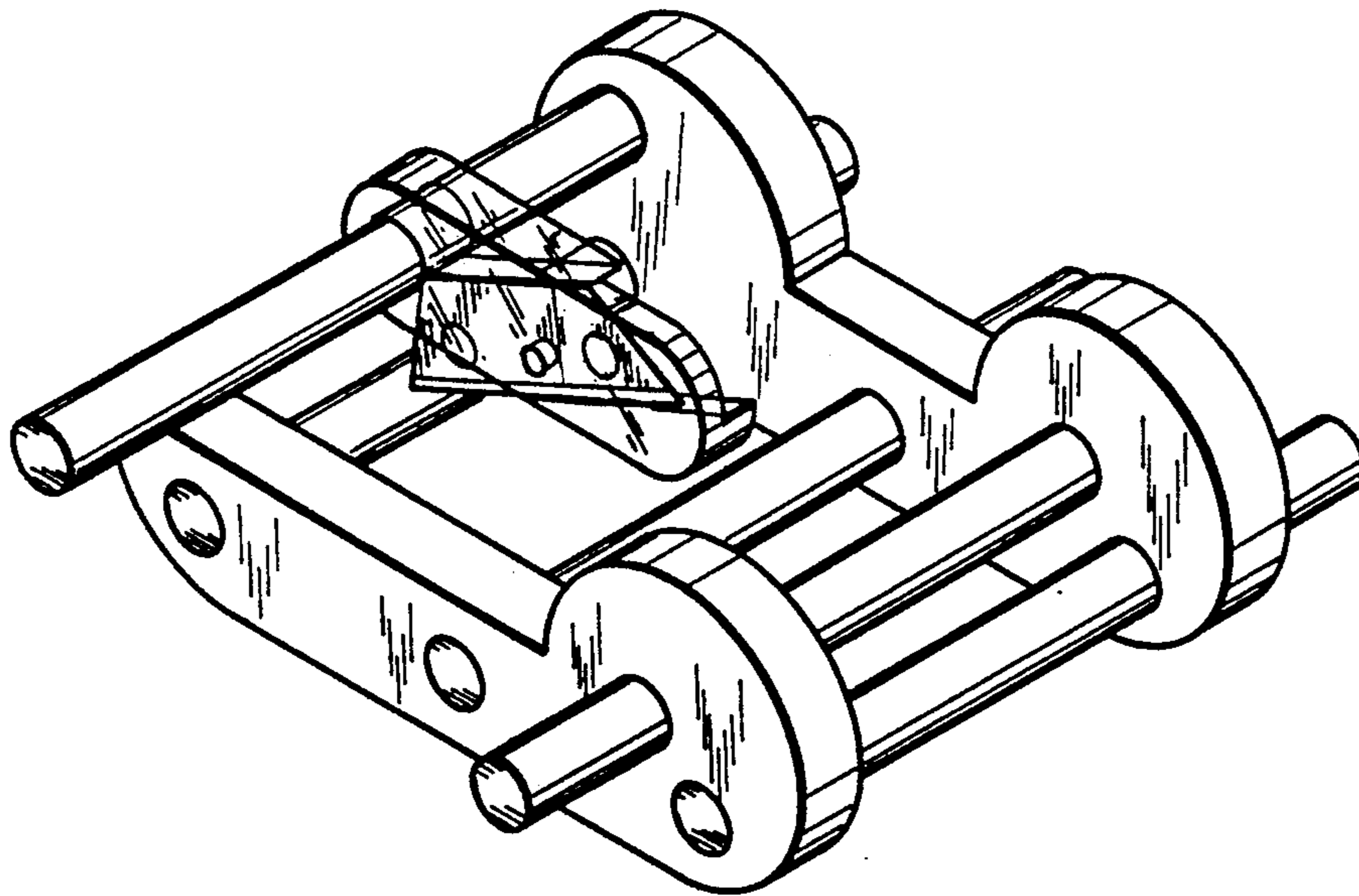
FIG. 3 is a front elevational view thereof;

FIG. 4 is a top plan view thereof;

FIG. 5 is a right side elevational view thereof;

FIG. 6 is a rear elevational view thereof; and,

FIG. 7 is a bottom plan view thereof.



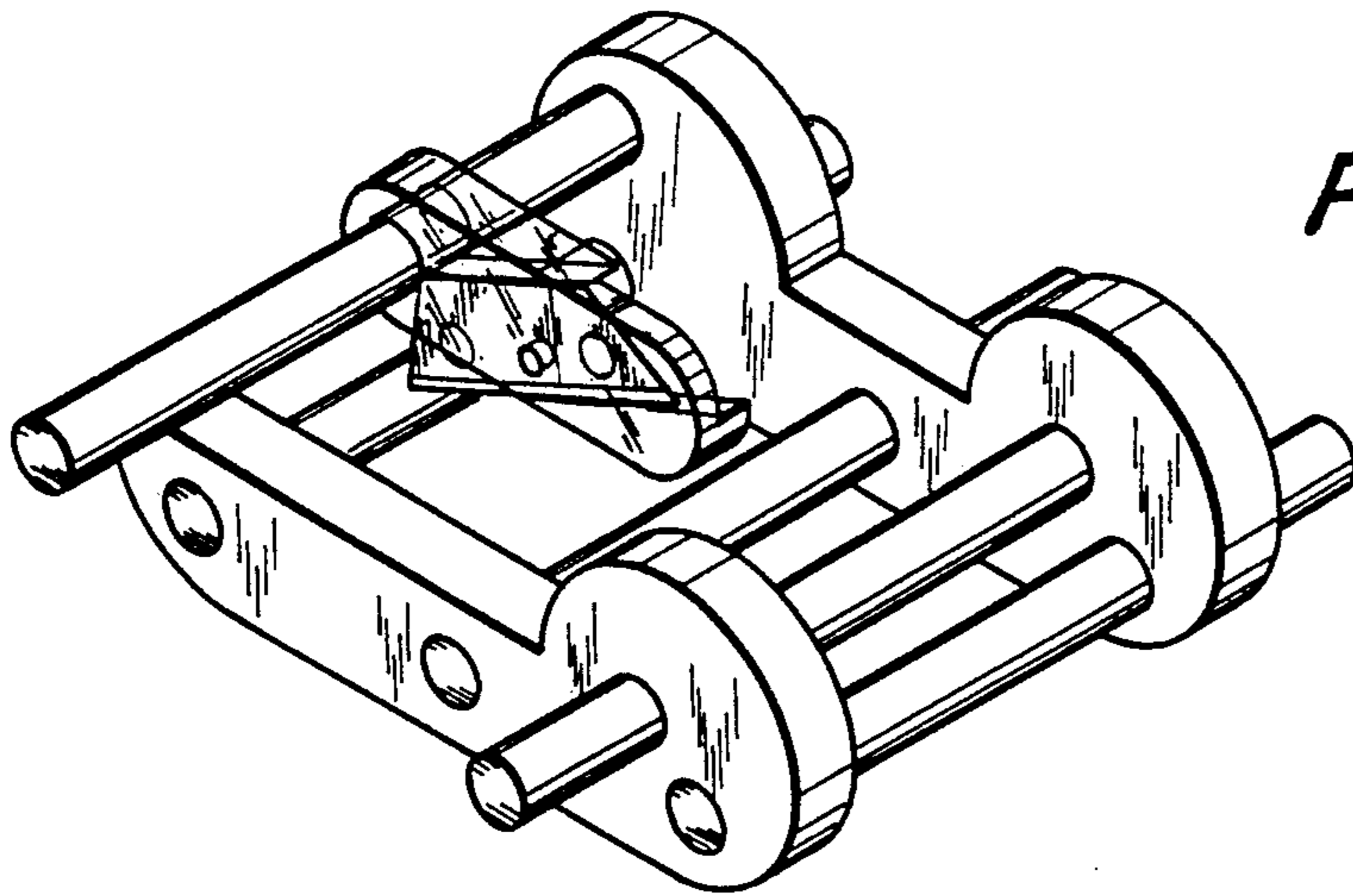


FIG. 1

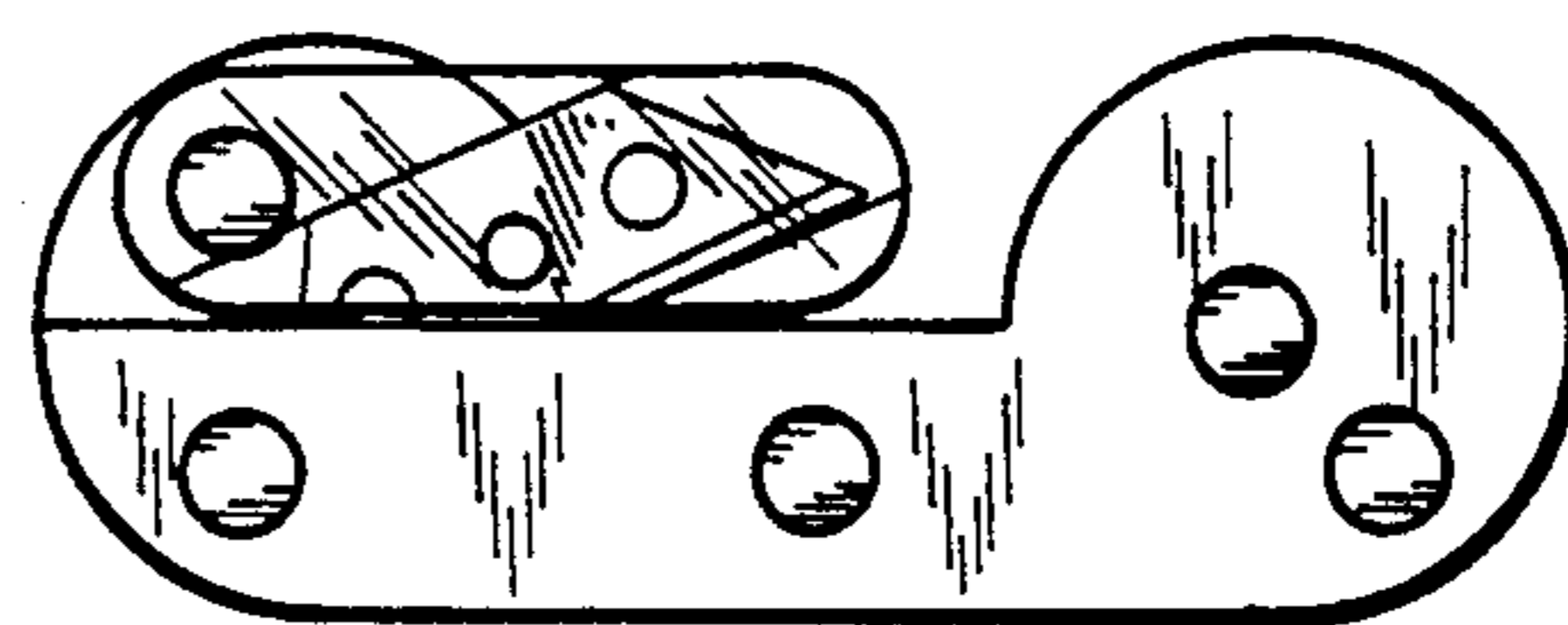


FIG. 2

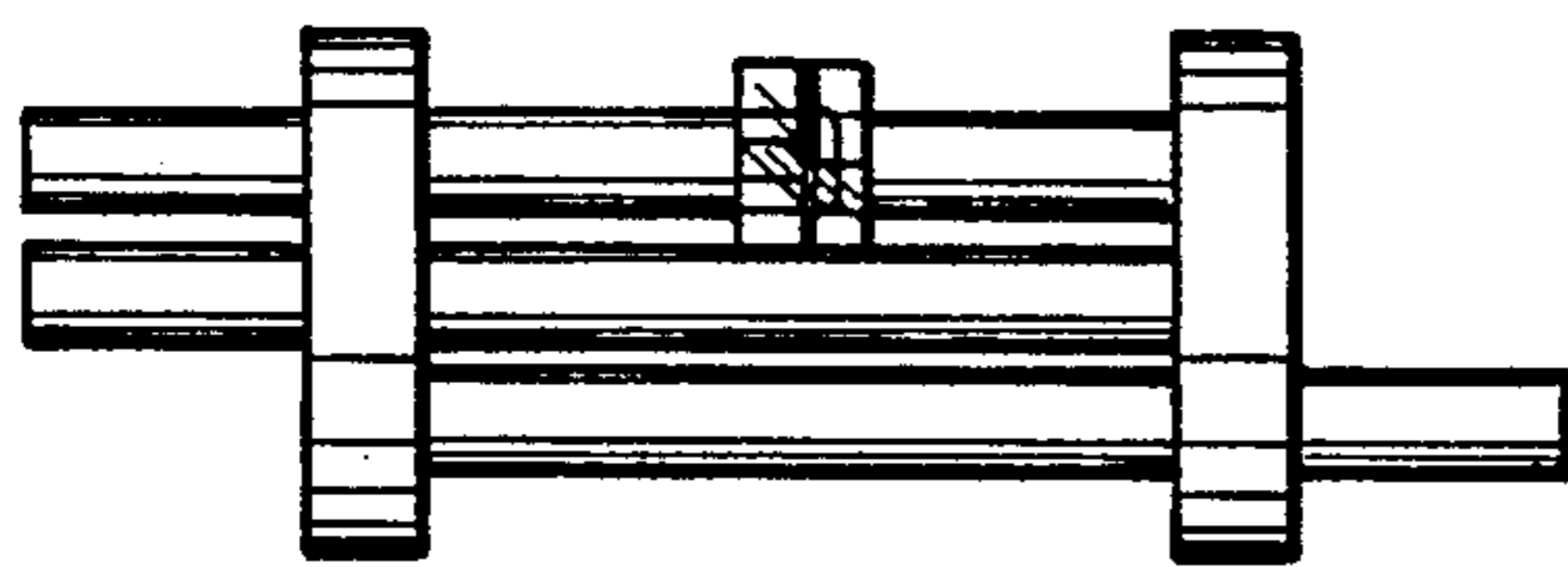


FIG. 3

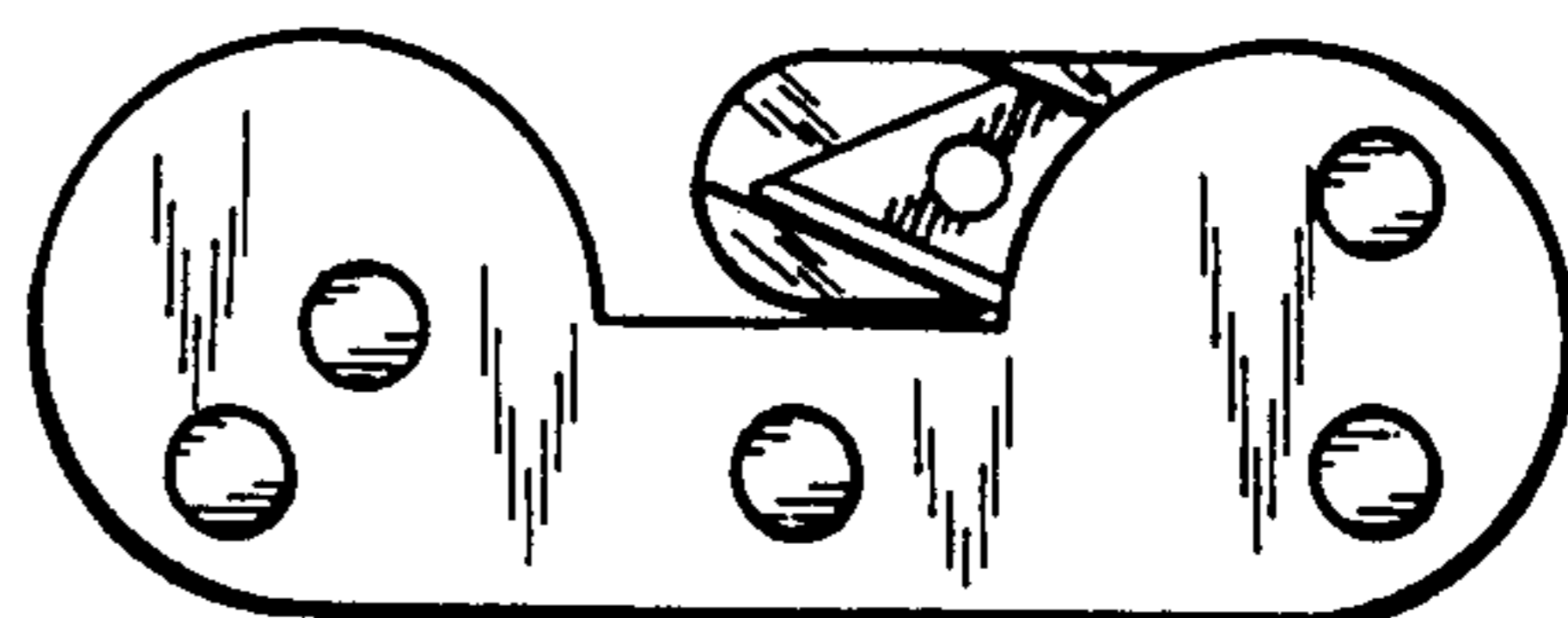


FIG. 5

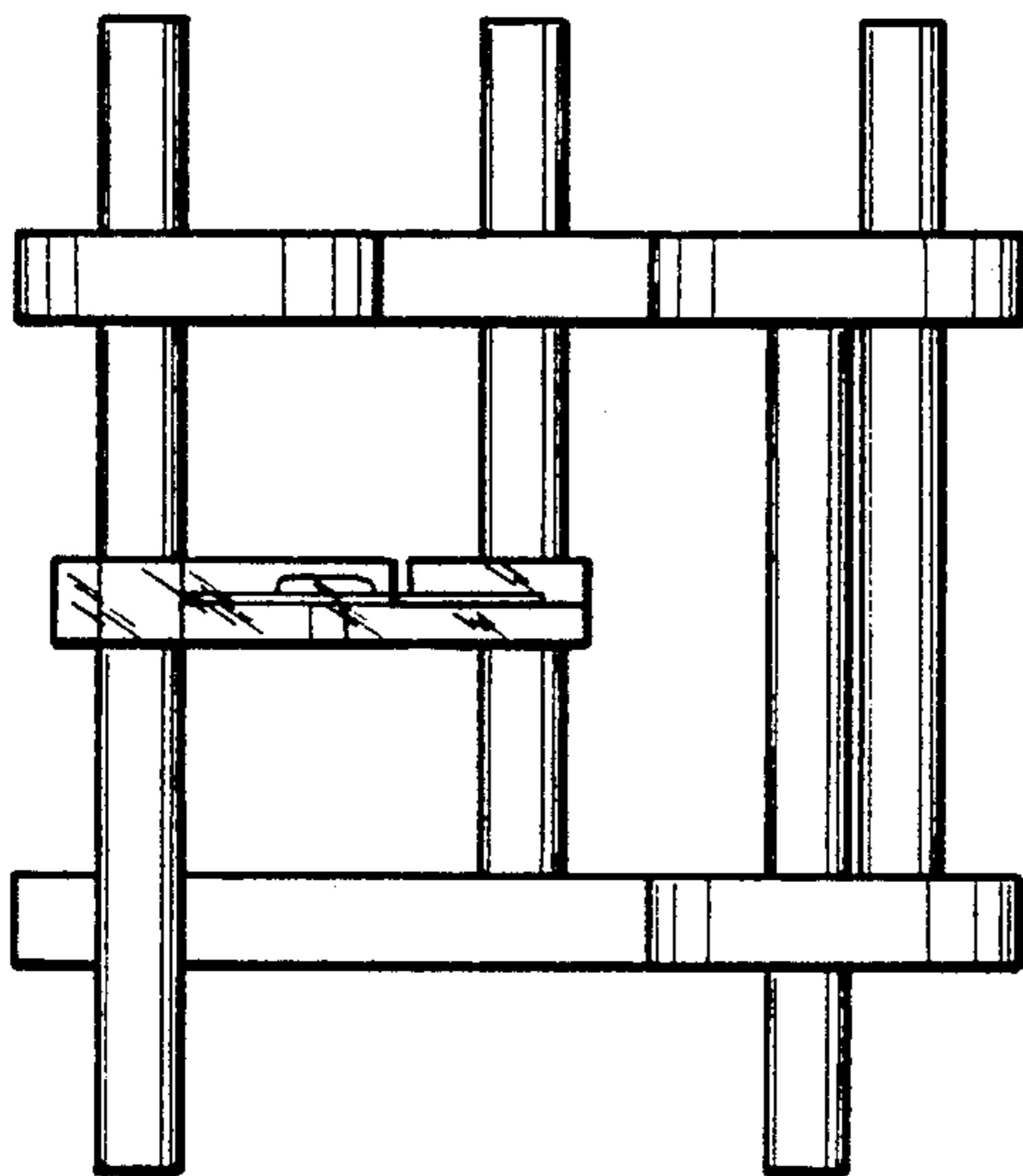


FIG. 4

FIG. 6

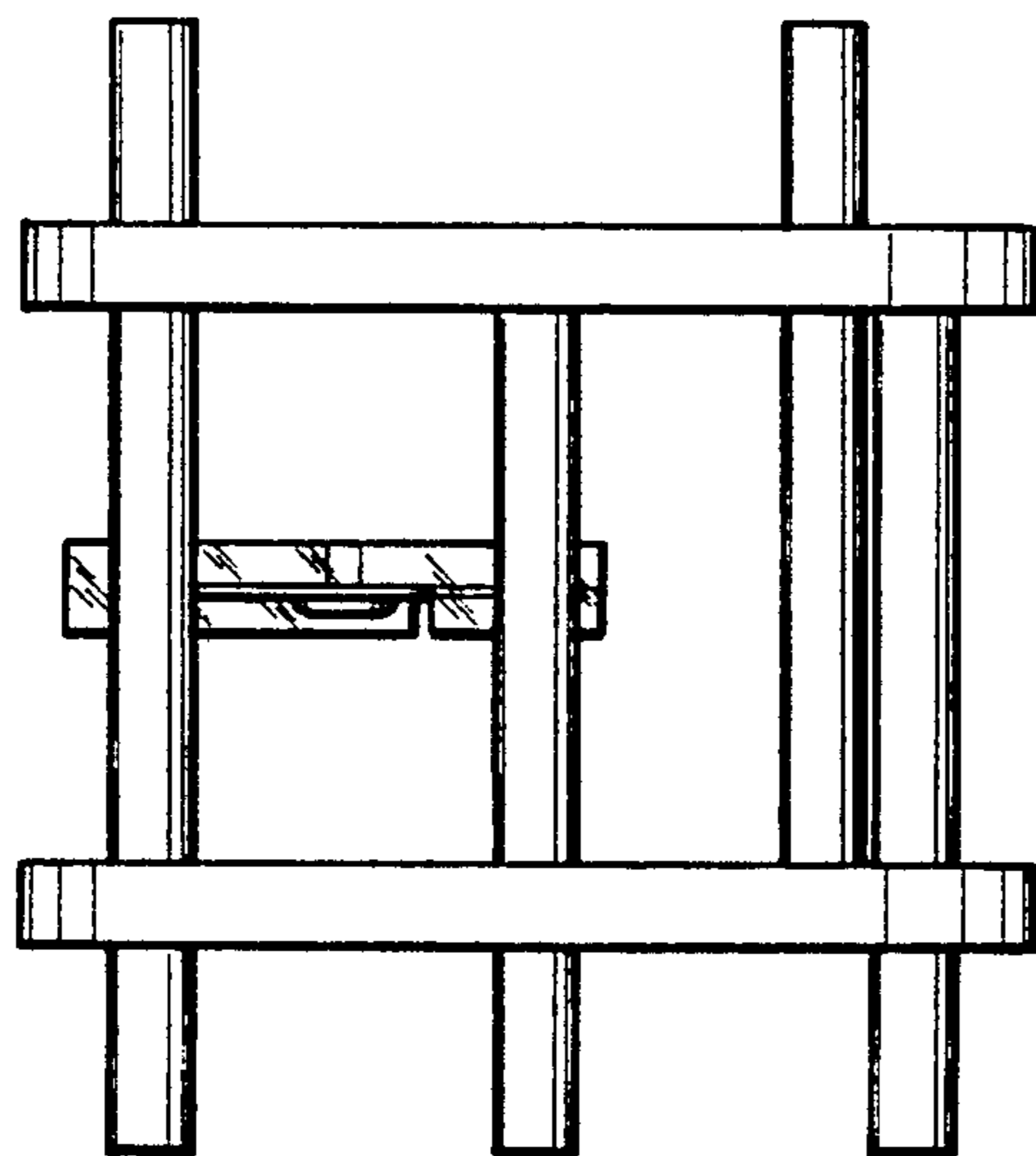
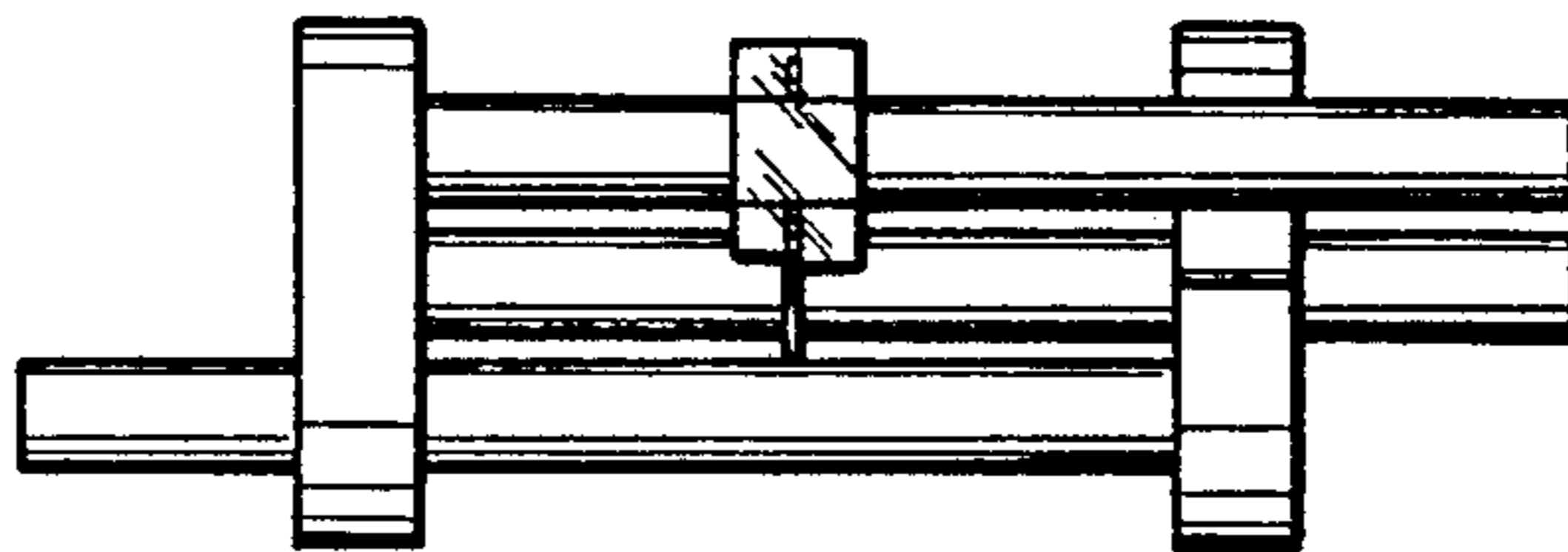


FIG. 7