



US00D330492S

United States Patent [19]

[11] Patent Number: **Des. 330,492**

Brown

[45] Date of Patent: **** Oct. 27, 1992**

[54] **COOKING UTENSIL**

[75] Inventor: **John R. Brown**, St. Leonards, Australia

[73] Assignee: **Affiliated Property & Trade Pty Limited**, Australia

[**] Term: **14 Years**

[21] Appl. No.: **576,702**

[22] Filed: **Aug. 31, 1990**

[30] **Foreign Application Priority Data**

Mar. 1, 1990 [AU] Australia 628/90

[52] U.S. Cl. **D7/683**

[58] Field of Search **D7/669, 683-696;**
30/322, 323; 99/421 A; 294/26

[56] **References Cited**

U.S. PATENT DOCUMENTS

D. 228,949 10/1973 Schwatzstein D7/683 X

D. 253,989 1/1980 Rhoades D7/683
D. 268,561 4/1983 Risser D7/683
D. 273,075 3/1984 Hayden D7/683
2,724,207 11/1955 Miller et al. D7/690 X
3,162,475 12/1964 Van Allen 30/322 X

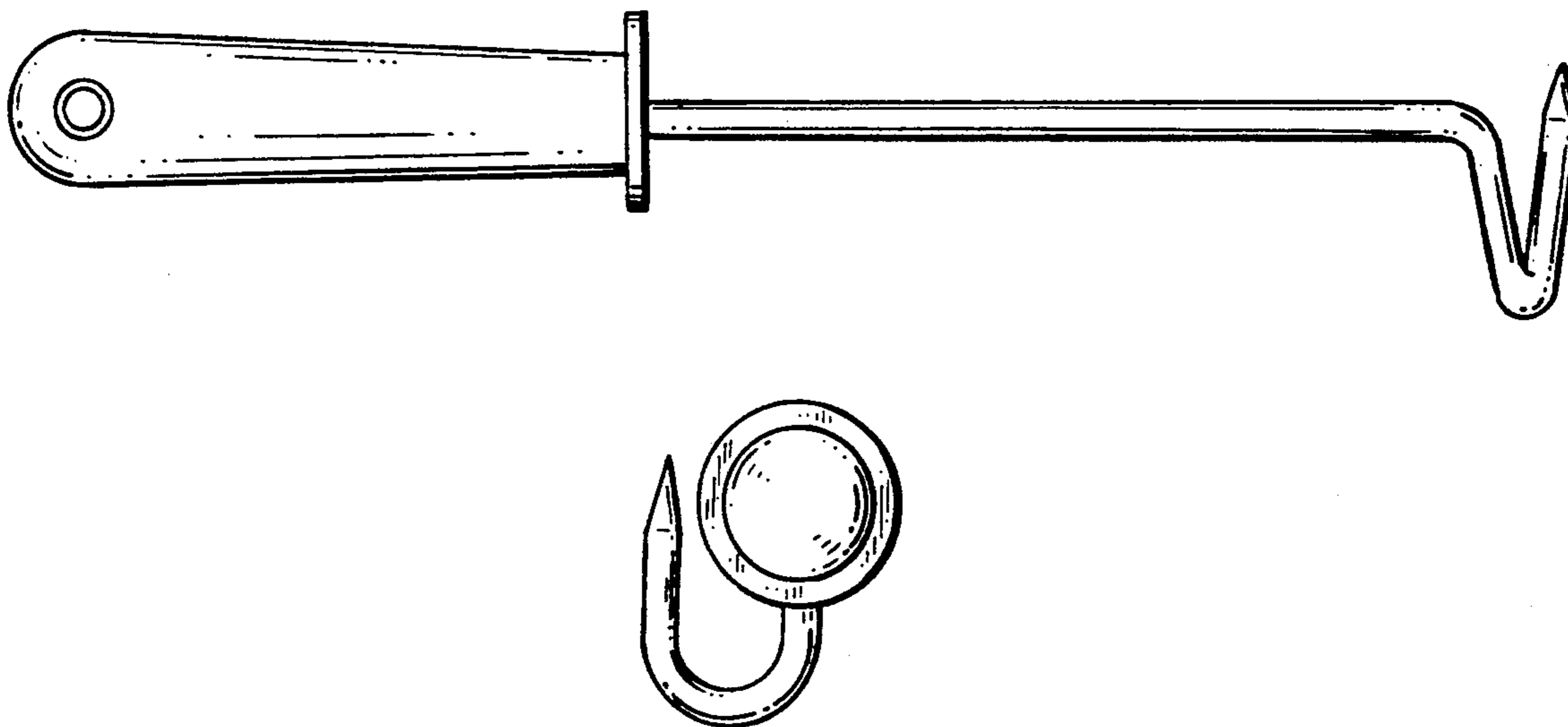
Primary Examiner—Terry A. Pfeffer
Attorney, Agent, or Firm—Ostrolenk, Faber, Gerb & Soffen

[57] **CLAIM**

The ornamental design for a cooking utensil as shown.

DESCRIPTION

FIG. 1 is a perspective view of a cooking utensil showing my new design;
FIG. 2 is a front elevational view thereof;
FIG. 3 is a rear elevational view thereof;
FIG. 4 is a top plan view thereof;
FIG. 5 is a bottom plan view thereof;
FIG. 6 is a right side elevational view thereof; and,
FIG. 7 is a left side elevational view thereof.



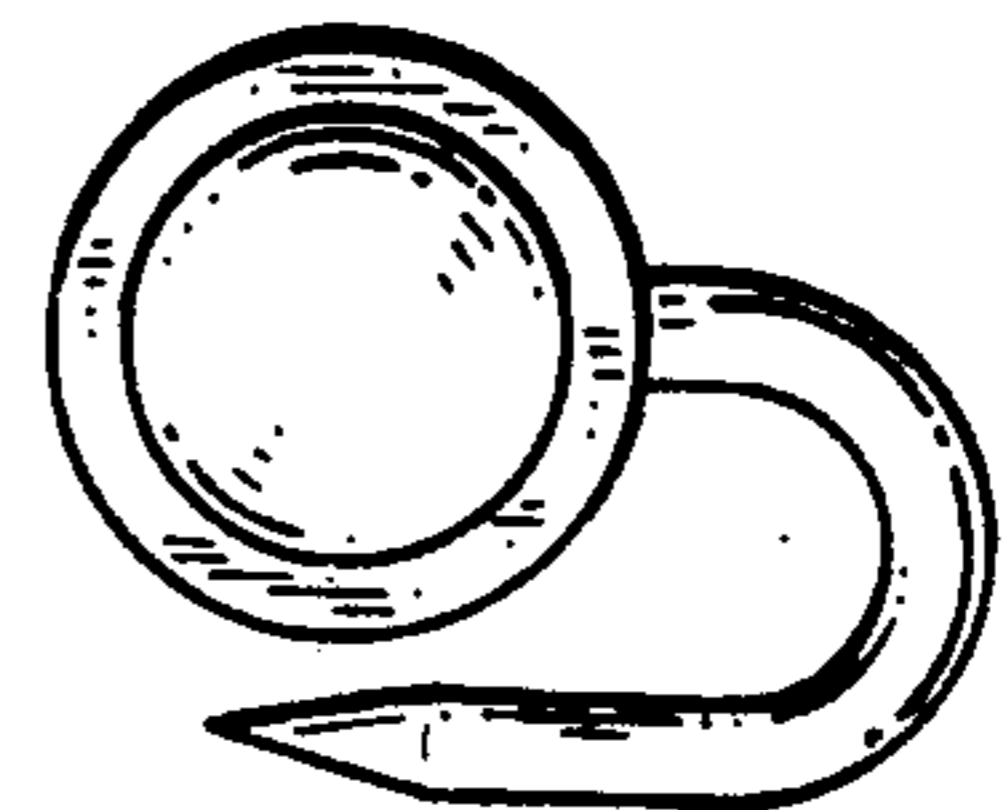
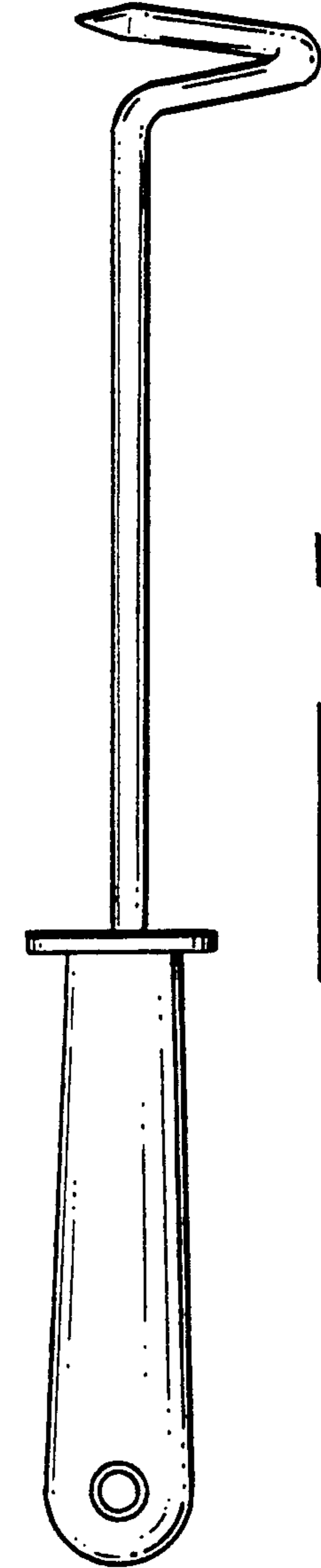
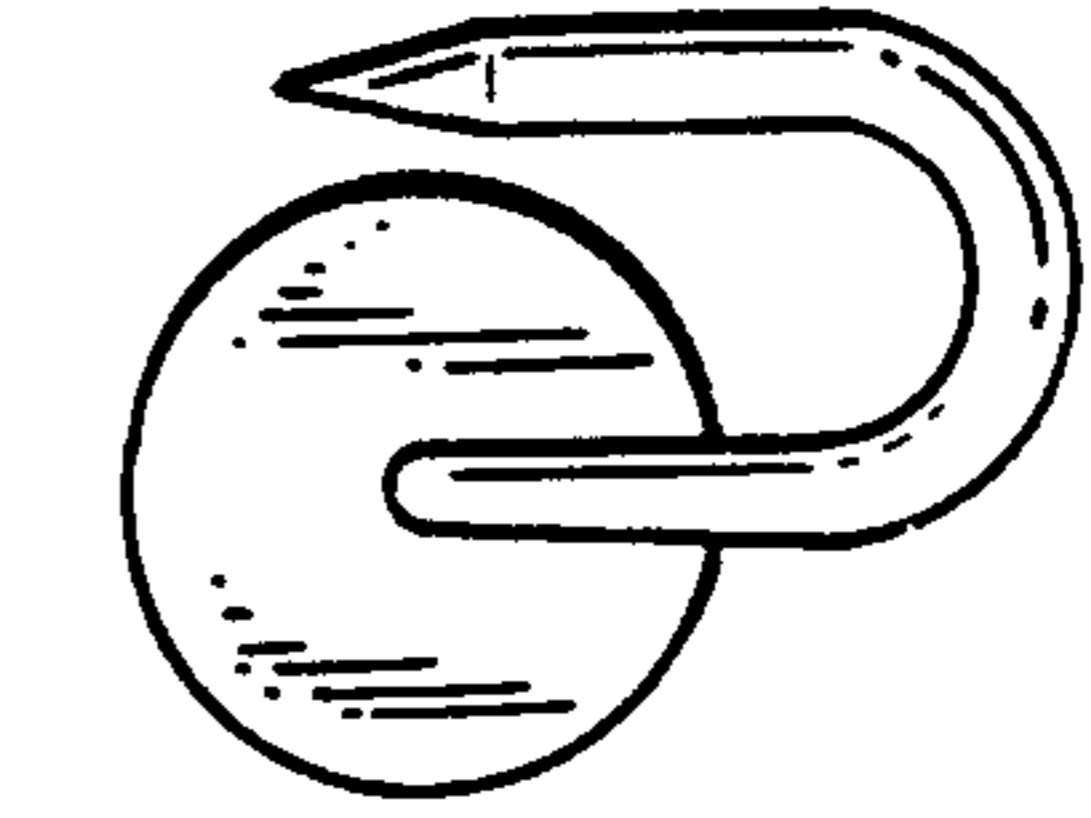
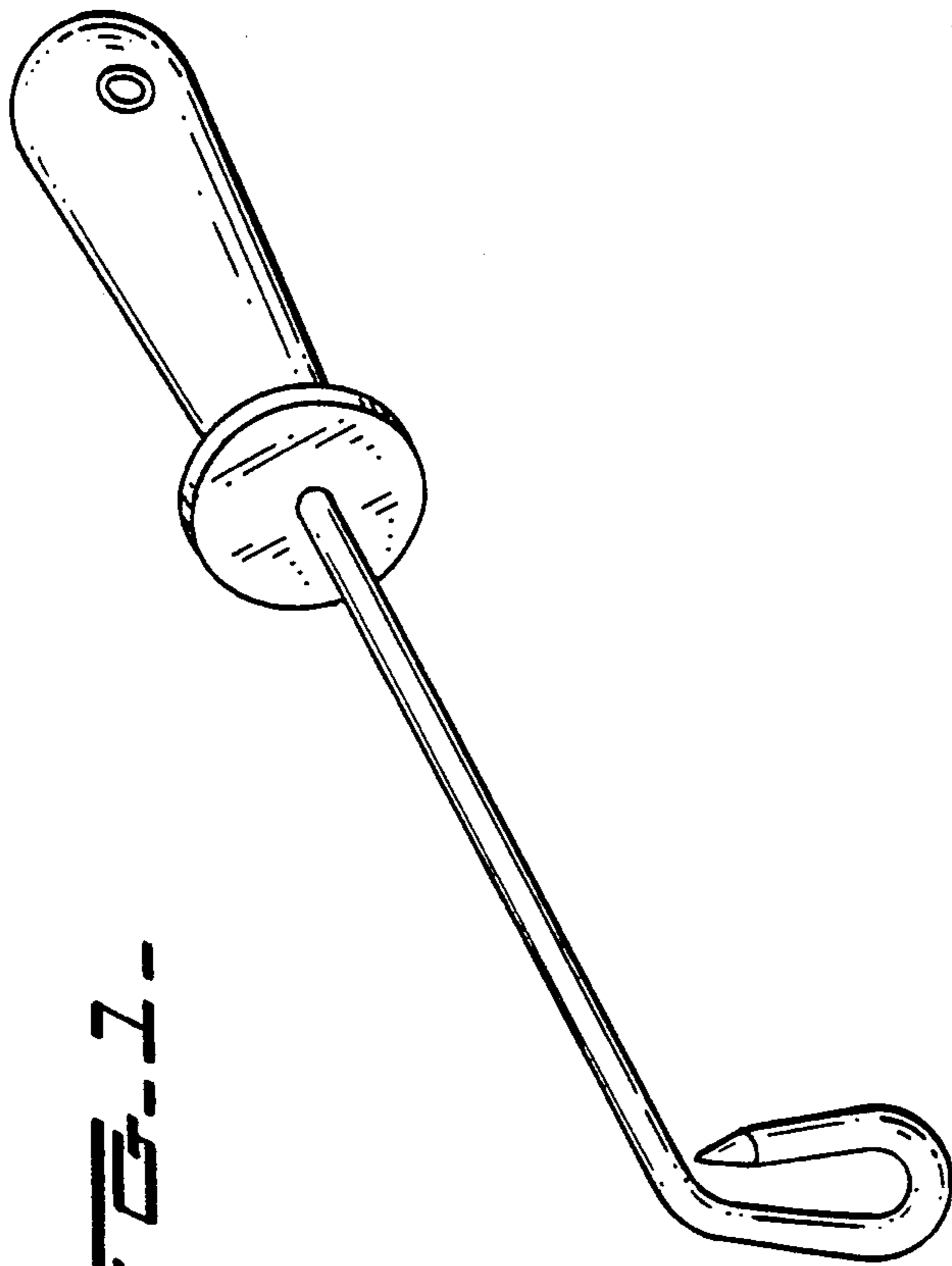


FIG. 5

FIG. 7

