



US00D330491S

United States Patent [19]

[11] Patent Number: **Des. 330,491**

Worsfold et al.

[45] Date of Patent: **** Oct. 27, 1992**

[54] **BLADE SCABBARD**

[75] Inventors: **Anthony R. Worsfold, Hillingdon;**
Peter W. Lewcock, Denham, both of
United Kingdom

[73] Assignee: **McPherson's Limited, Australia**

[**] Term: **14 Years**

[21] Appl. No.: **584,873**

[22] Filed: **Sep. 18, 1990**

[30] **Foreign Application Priority Data**

Mar. 19, 1990 [AU] Australia 818/90

[52] U.S. Cl. **D7/638**

[58] Field of Search **D3/30.1, 102; D7/637;**
D8/93; 30/138, 151, 162; 51/204, 214, 158

[56] **References Cited**

U.S. PATENT DOCUMENTS

D. 225,559 12/1972 Bayly D7/638

D. 279,951 8/1985 Winyard D7/638
D. 303,731 10/1989 Blochlinger et al. .
4,805,350 2/1989 Farrer 30/138 X
5,009,040 4/1991 Petroff 30/138 X

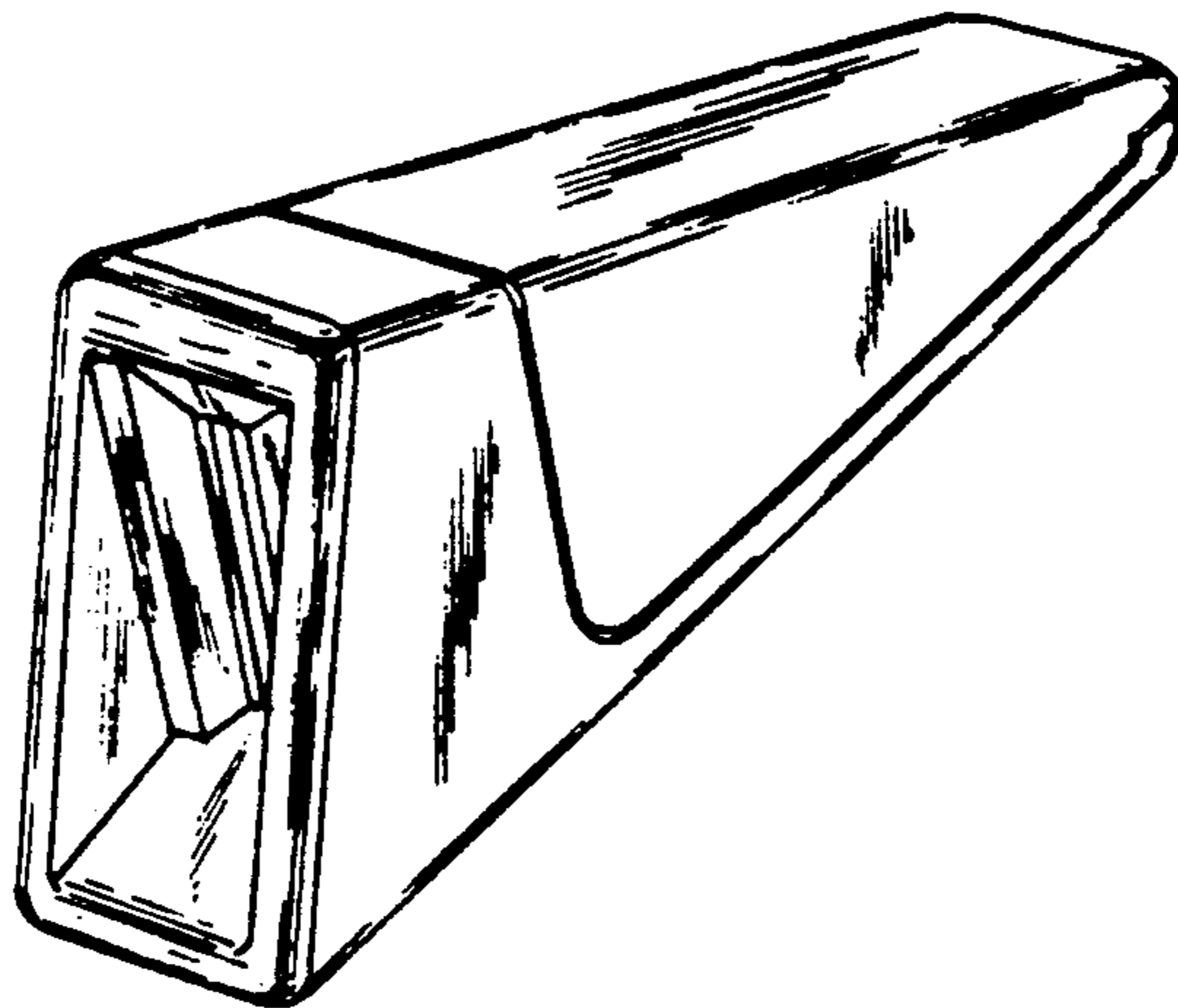
Primary Examiner—Terry A. Pfeffer
Attorney, Agent, or Firm—Lerner, David, Littenberg,
Krumholz & Mentlik

[57] **CLAIM**

The ornamental design for a blade scabbard, as shown and described.

DESCRIPTION

FIG. 1 is a side elevational view of a blade scabbard showing our new design;
FIG. 2 is a rear elevational view thereof;
FIG. 3 is a front elevational view thereof;
FIG. 4 is a top plan view thereof;
FIG. 5 is a top, front, right side perspective view thereof; and,
FIG. 6 is a top, rear, left side perspective view thereof.
The undisclosed bottom view is unornamented.



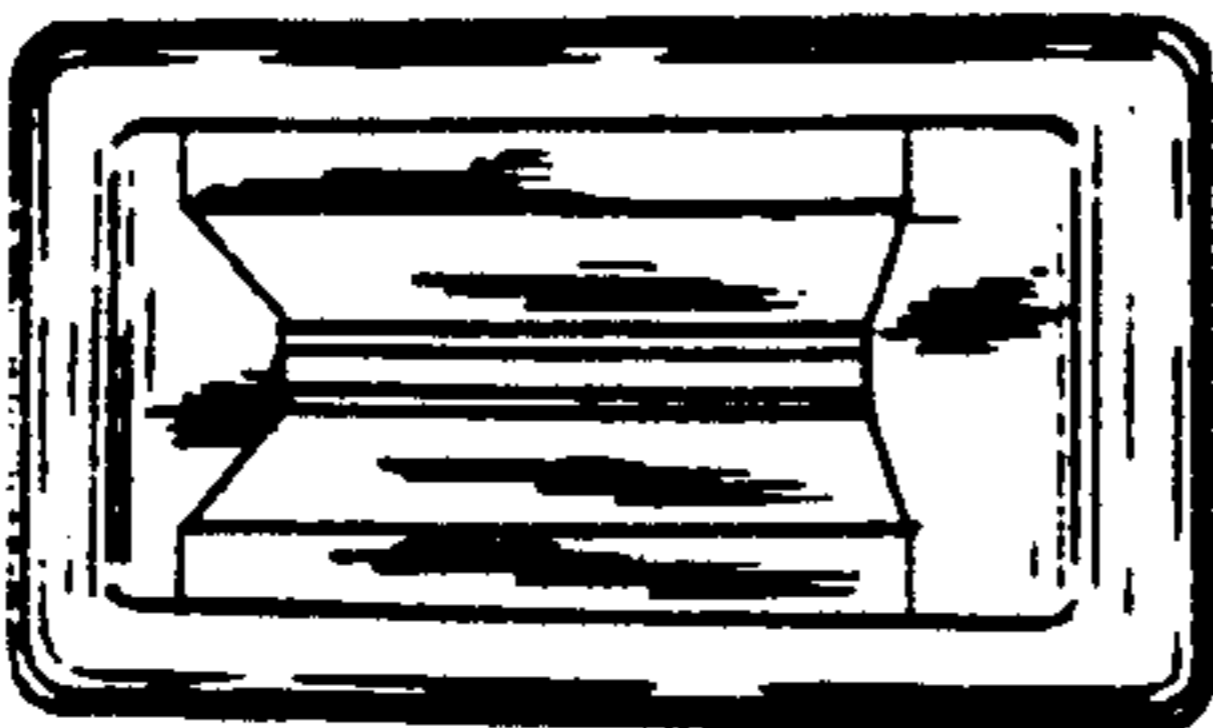


FIG 3

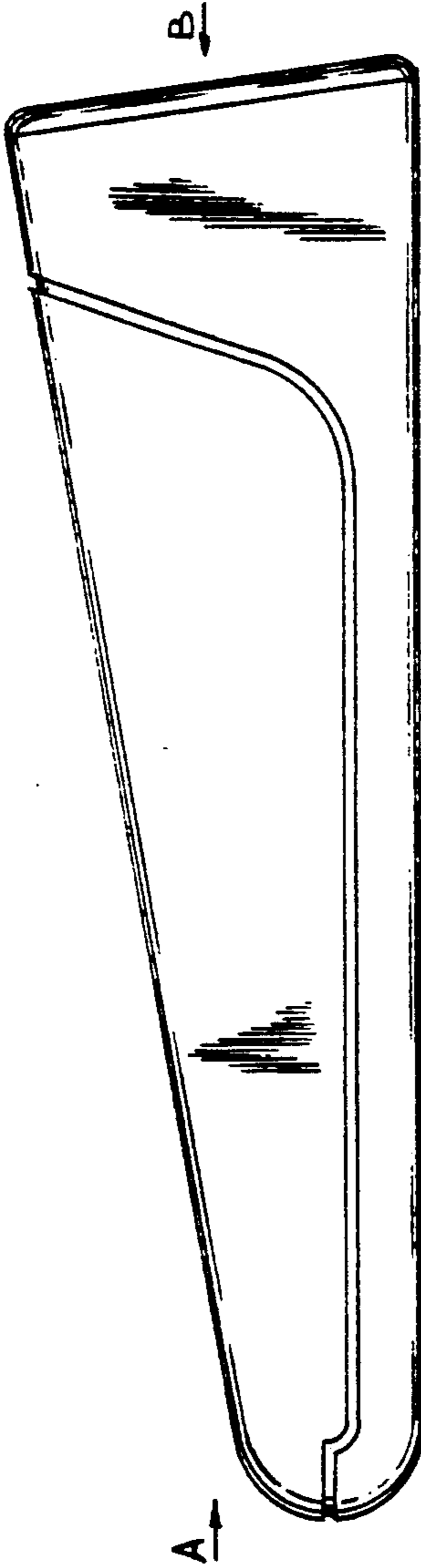


FIG 1

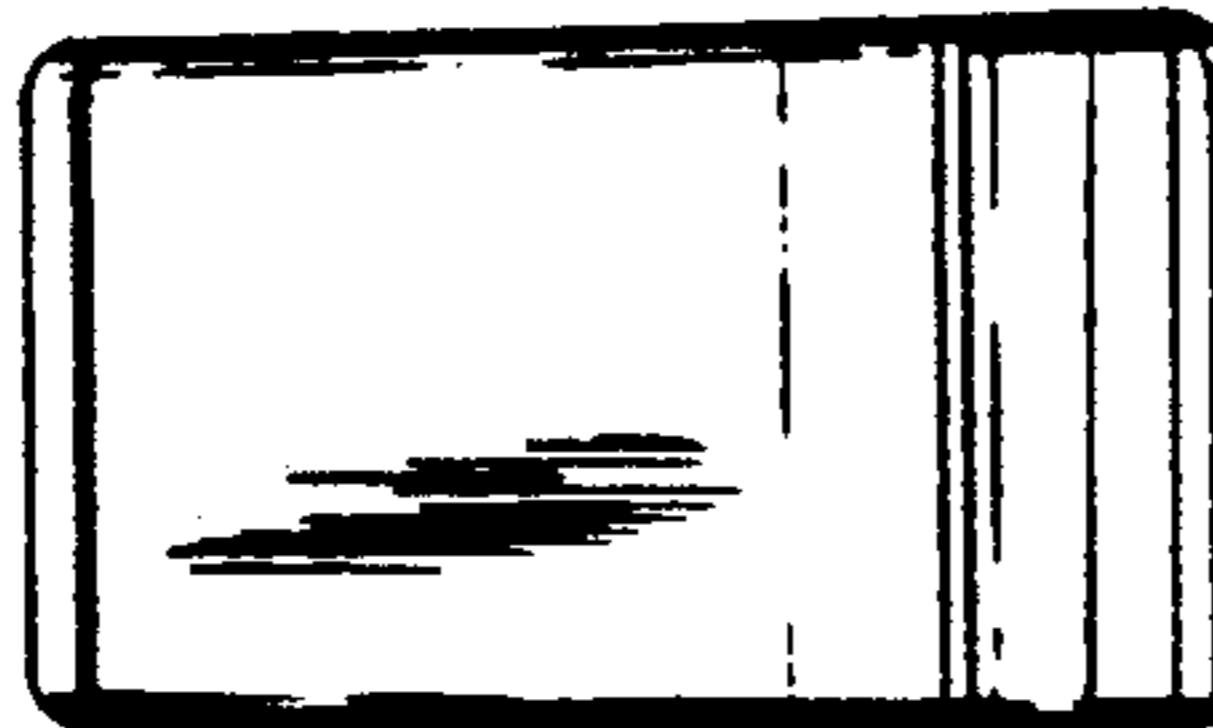


FIG 2

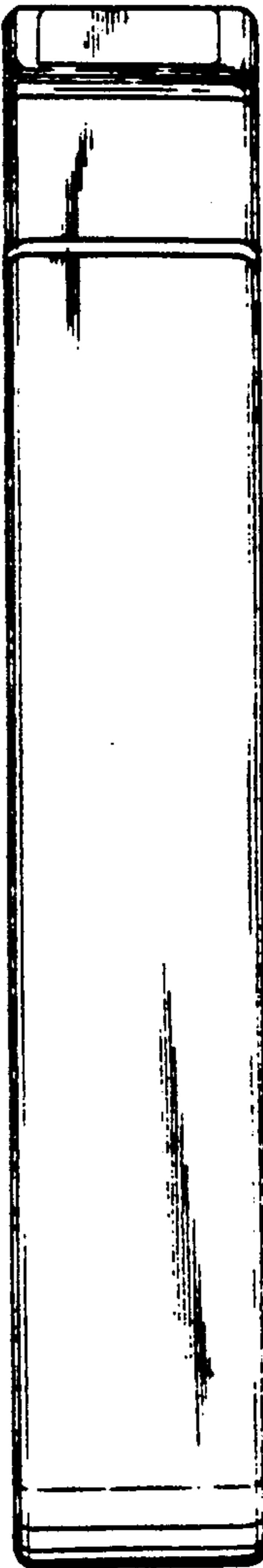


FIG 4

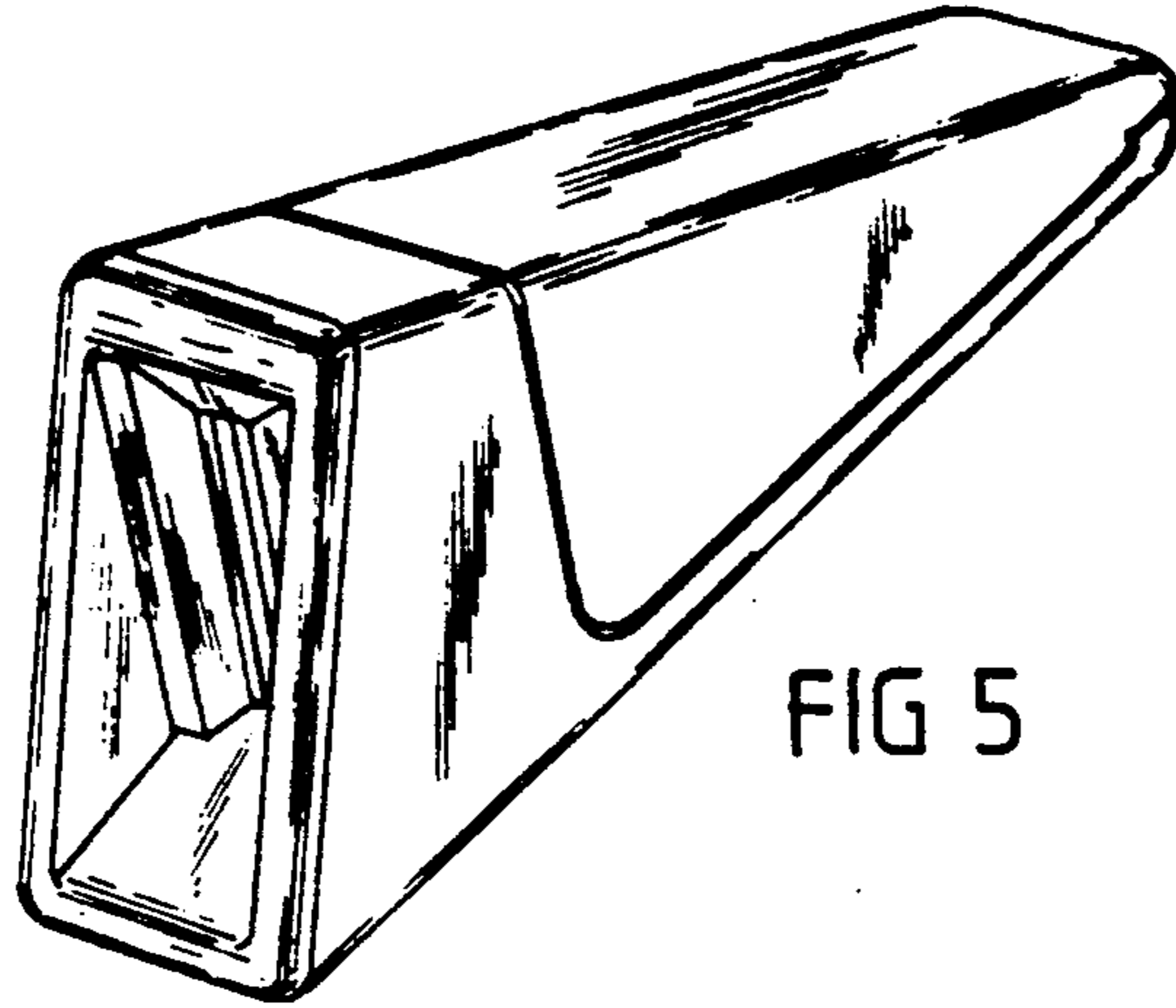


FIG 5

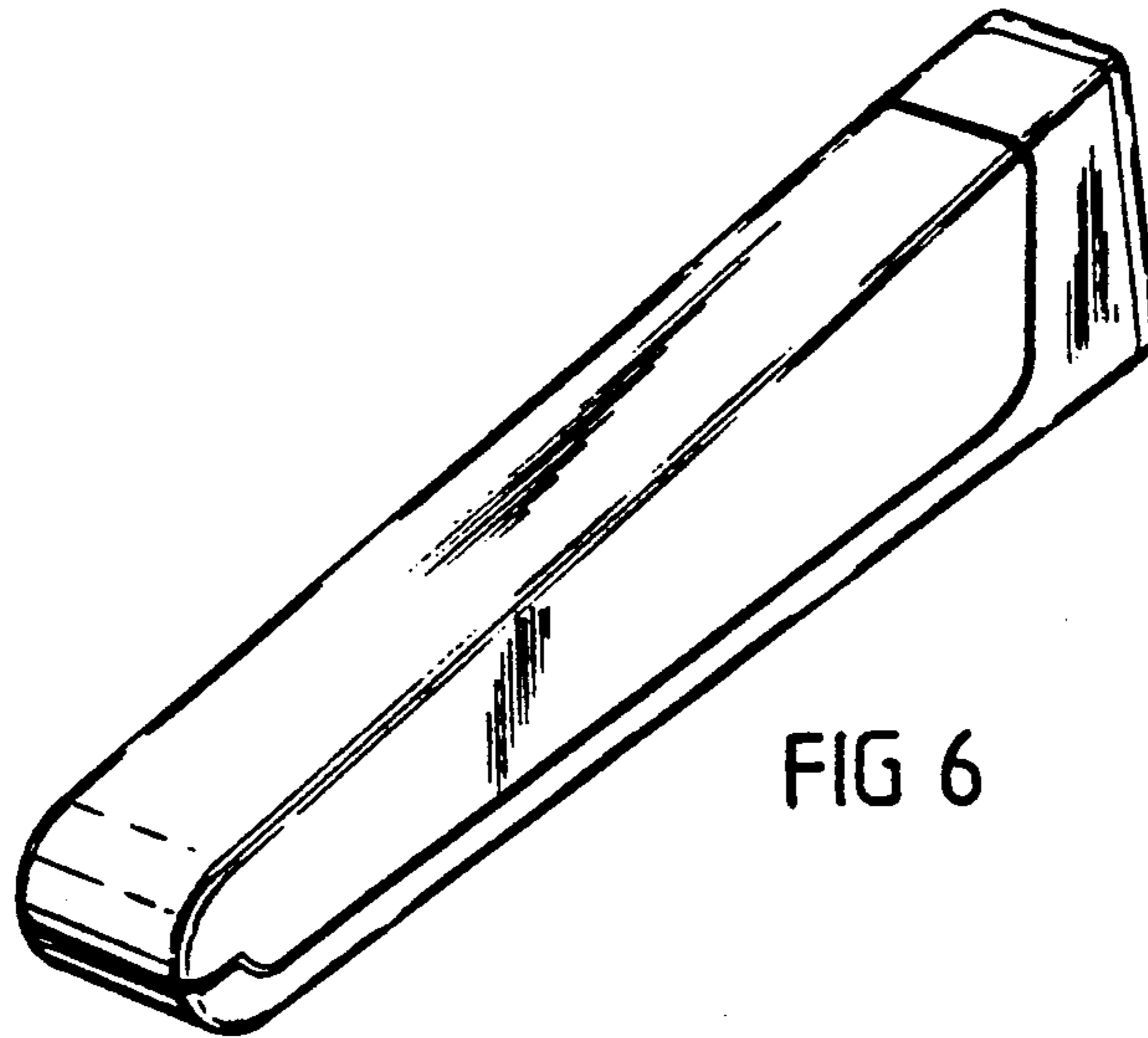


FIG 6