



US00D330490S

# United States Patent [19]

Turner

[11] Patent Number: **Des. 330,490**

[45] Date of Patent: **\*\* Oct. 27, 1992**

[54] **COMBINED SALAD AND CONDIMENT CONTAINER WITH INSERTS**

[76] Inventor: **Kathleen B. Turner, 4932 Northland Pl., St. Louis, Mo. 63113**

[\*\*] Term: **14 Years**

[21] Appl. No.: **502,012**

[22] Filed: **Mar. 29, 1990**

[52] U.S. Cl. .... **D7/629**

[58] Field of Search ..... **D7/629; D9/414, 418, D9/421, 424; D3/30.1; 206/557, 561, 562; 220/23.83, 528**

[56] **References Cited**

**U.S. PATENT DOCUMENTS**

D. 124,622	1/1941	Hilton	.....	D9/421
D. 162,931	4/1951	Buckles	.....	D7/616
D. 262,839	2/1982	Daenen et al.	.....	D7/629 X
4,660,716	4/1987	McMahon et al.	.....	220/23.83 X
4,741,441	5/1988	Keffeler	.....	220/528 X

*Primary Examiner*—Terry A. Pfeffer

*Attorney, Agent, or Firm*—Jerome J. Norris

[57] **CLAIM**

The ornamental design for a combined salad and condiment container with inserts, as shown and described.

**DESCRIPTION**

FIG. 1 is a top, front, right side perspective view of a combined salad and condiment container with inserts showing my new design;

FIG. 2 is a top plan view thereof;

FIG. 3 is a left side elevational view thereof;

FIG. 4 is a rear elevational view thereof;

FIG. 5 is a top plan view thereof with the cover removed for ease of illustration;

FIG. 6 is a top plan view of FIG. 5 with the inserts removed;

FIG. 7 is an exploded view of the inserts only shown separately for clarity of illustration;

FIG. 8 is a perspective view of FIG. 7;

FIG. 9 is a perspective view thereof; and,

FIG. 10 is a perspective view thereof.

The undisclosed bottom view is unornamented. The buffet and drawer shown in broken lines are for illustrative purposes only.

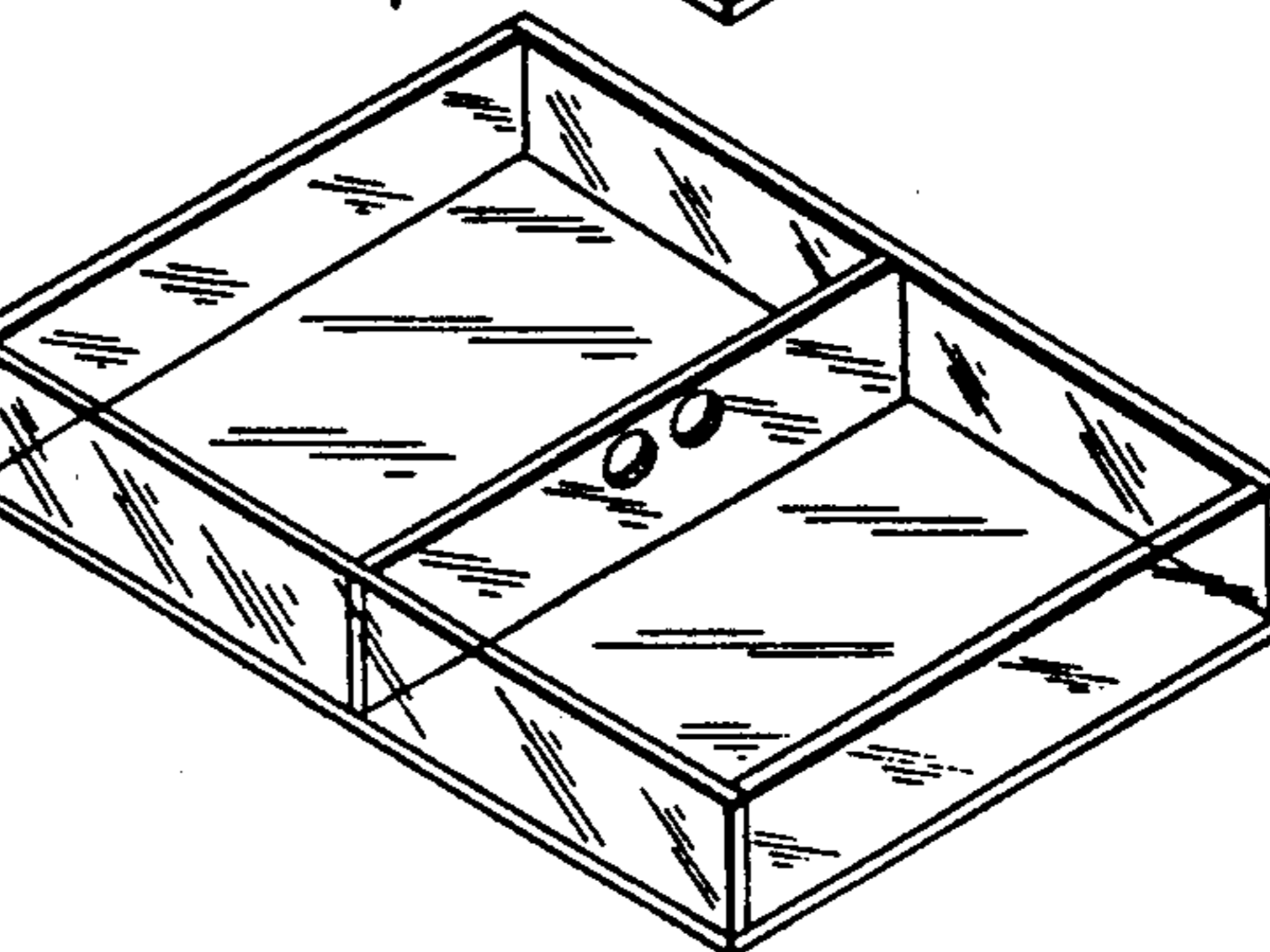
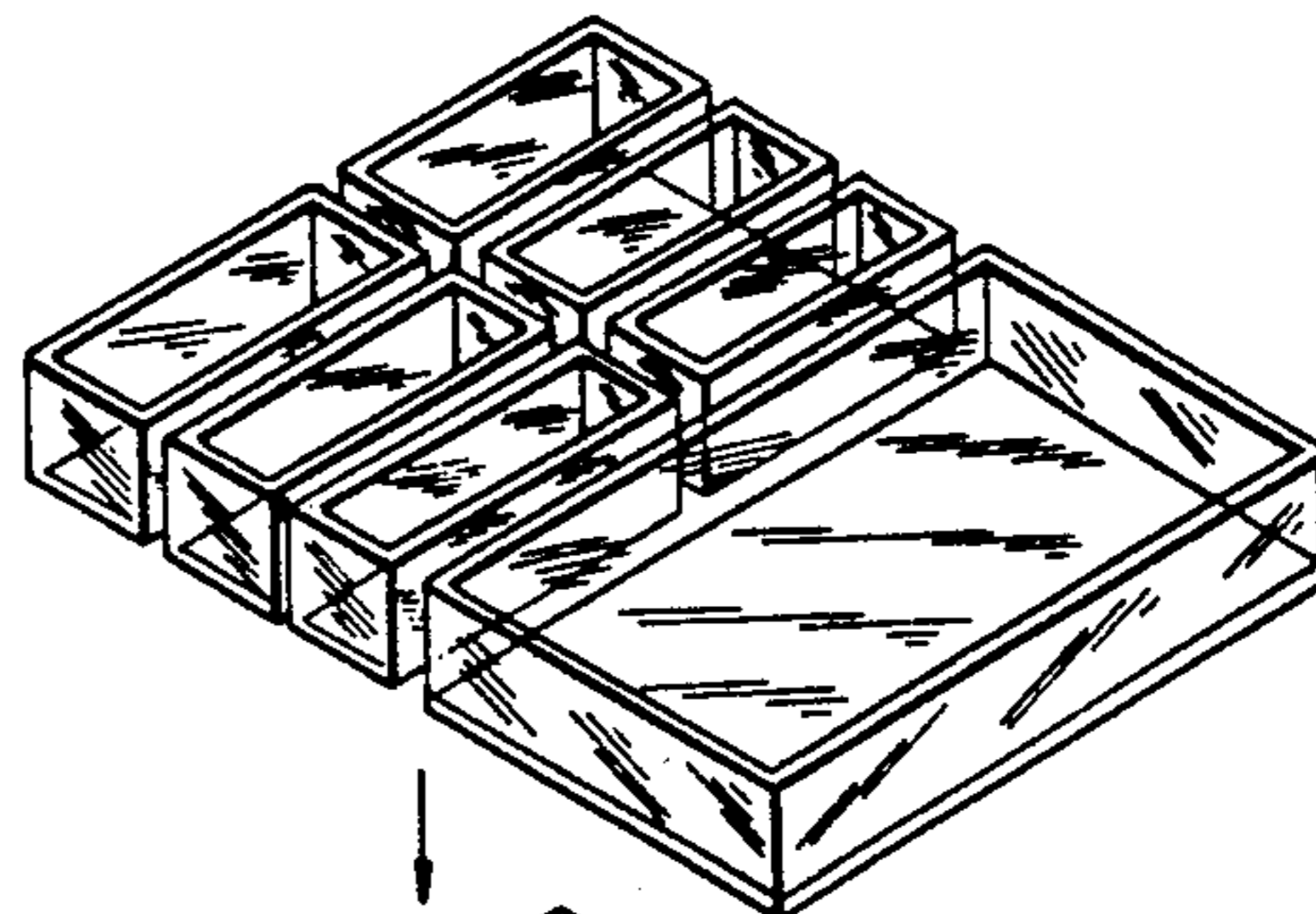
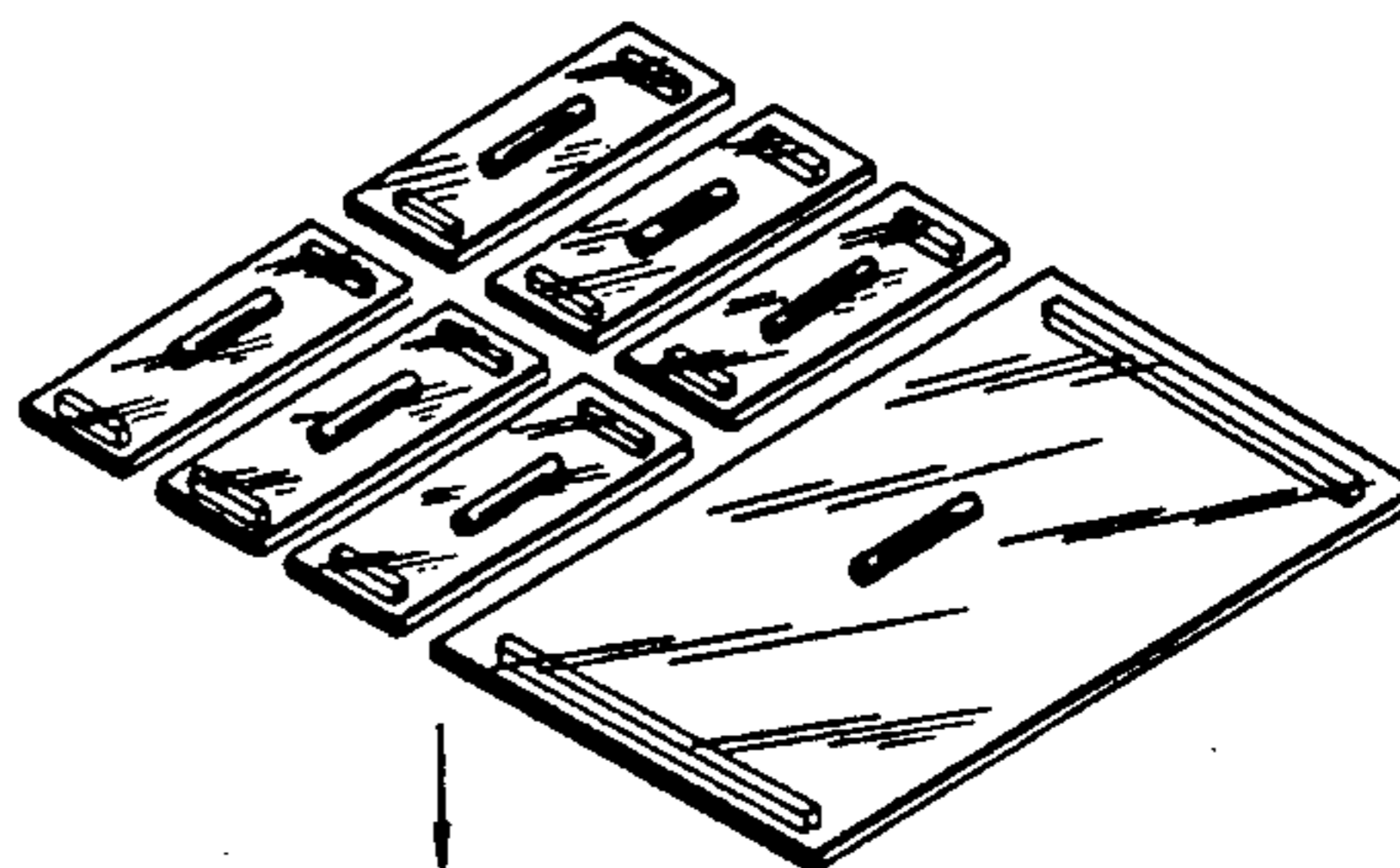
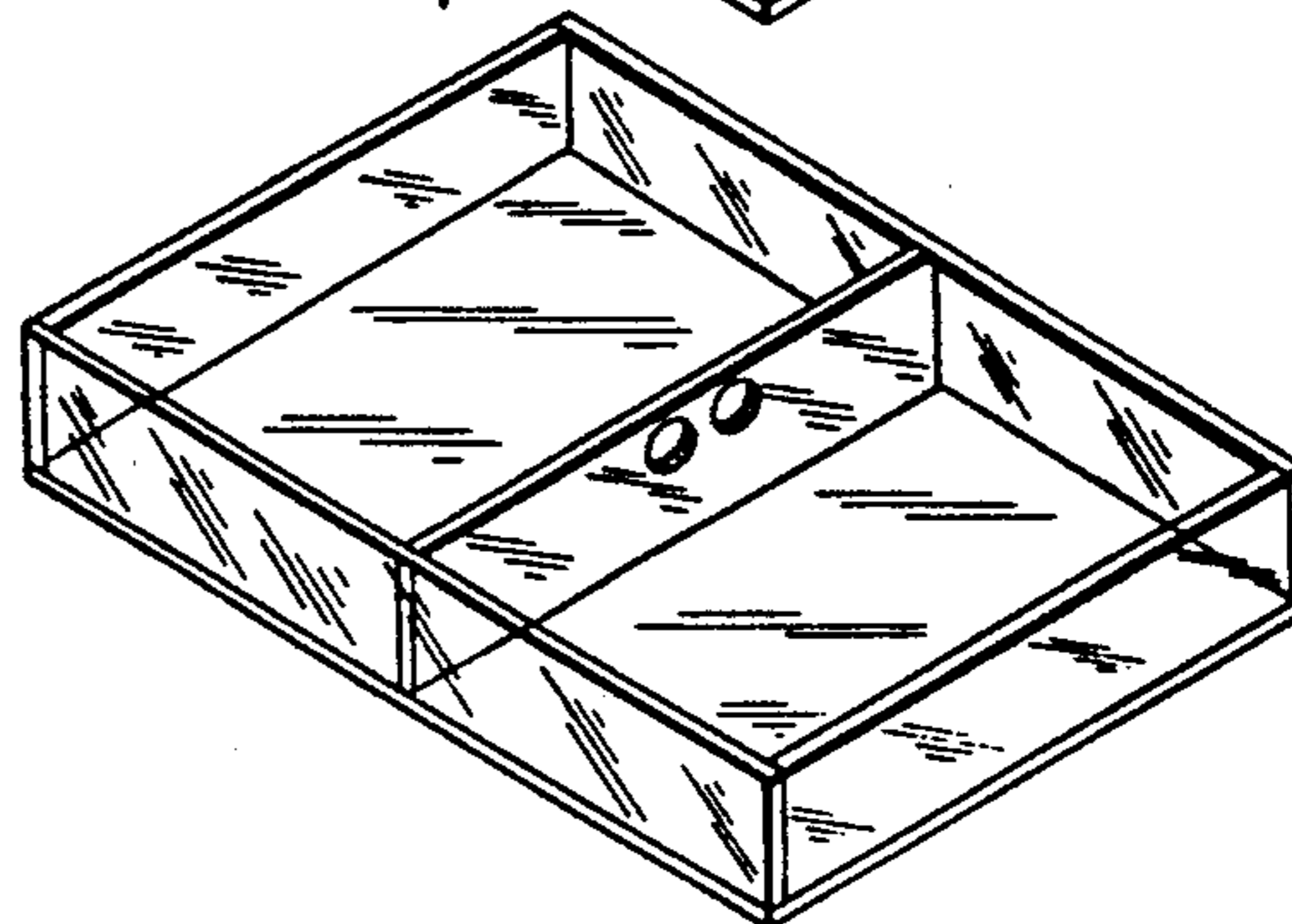
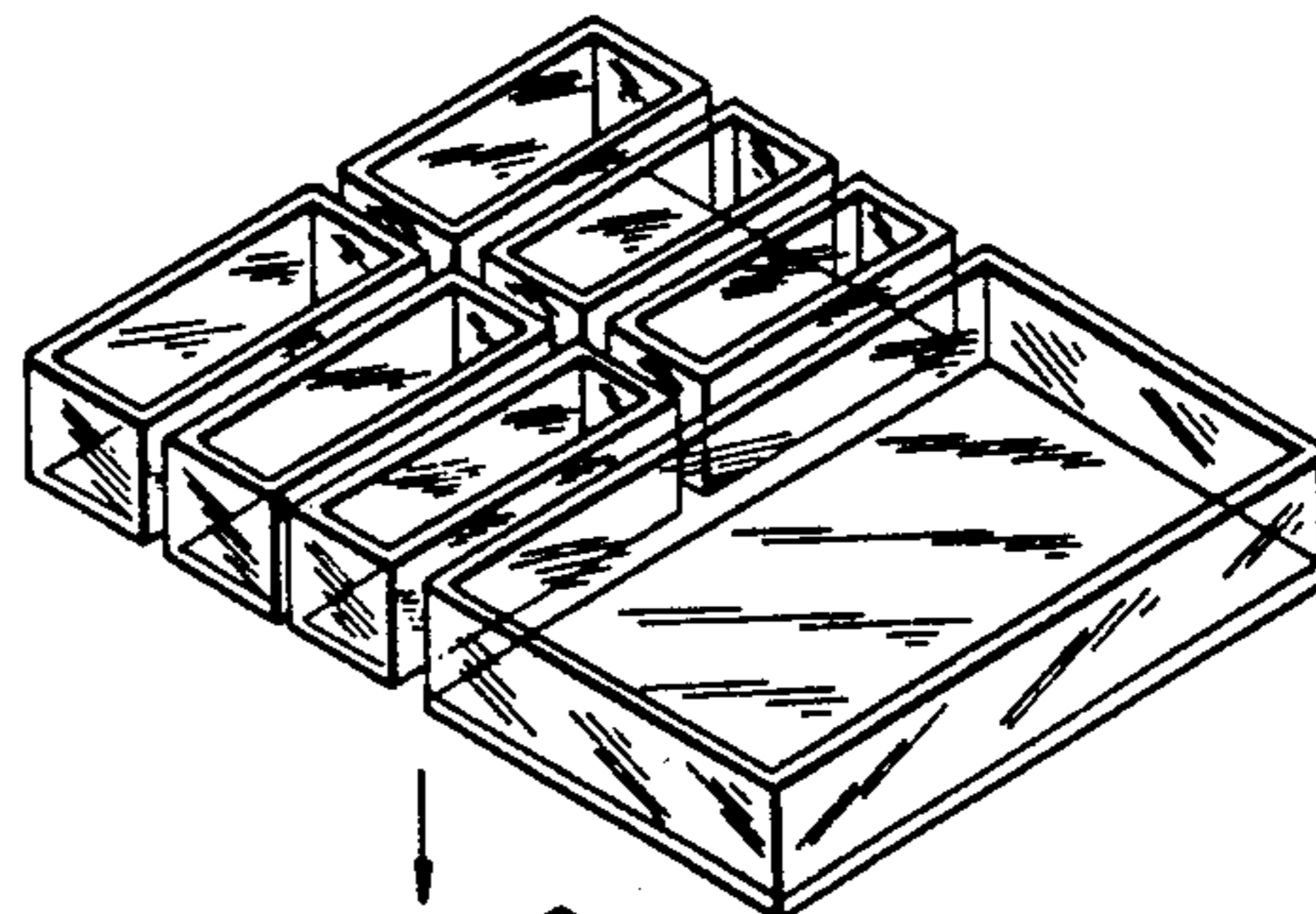
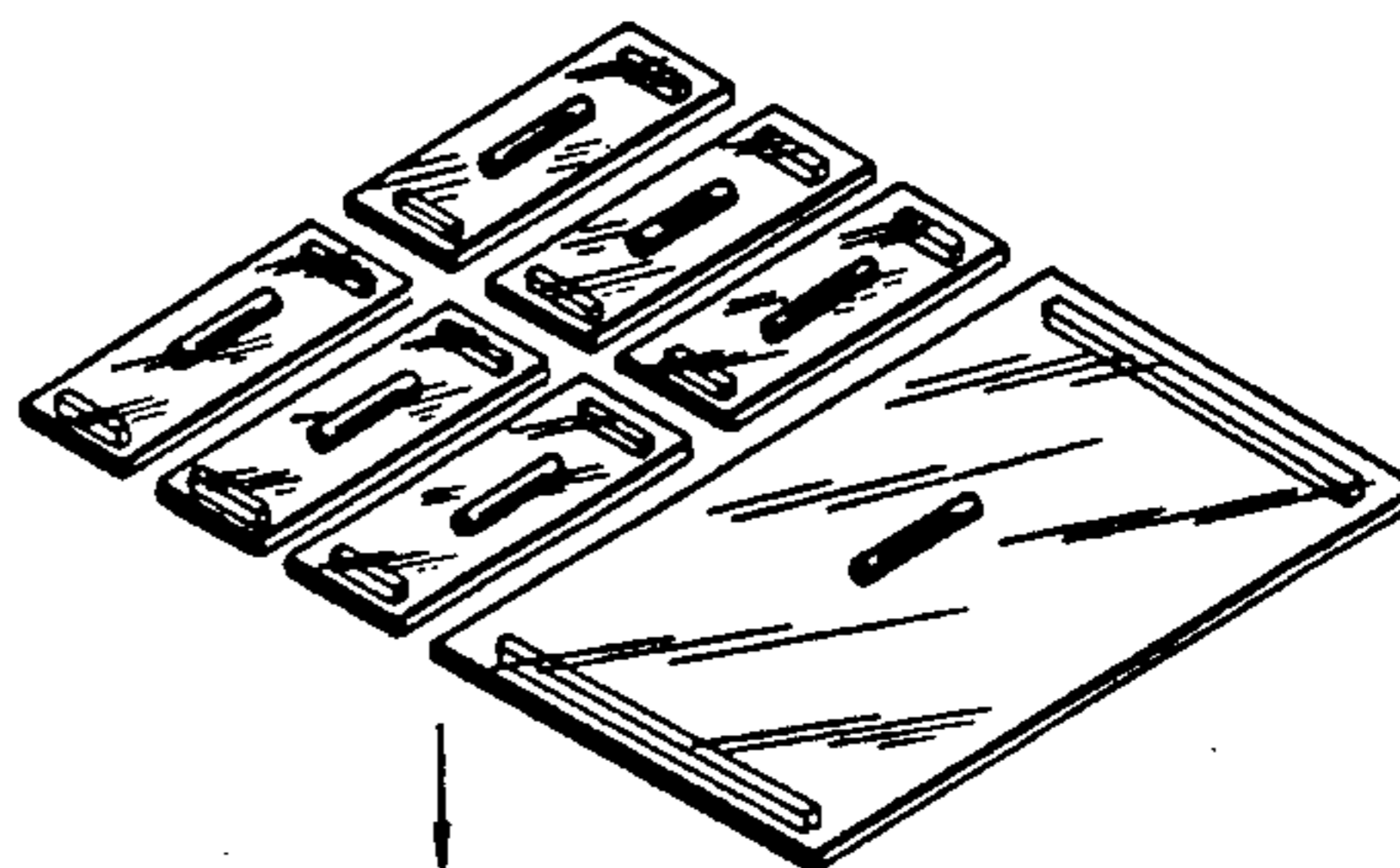
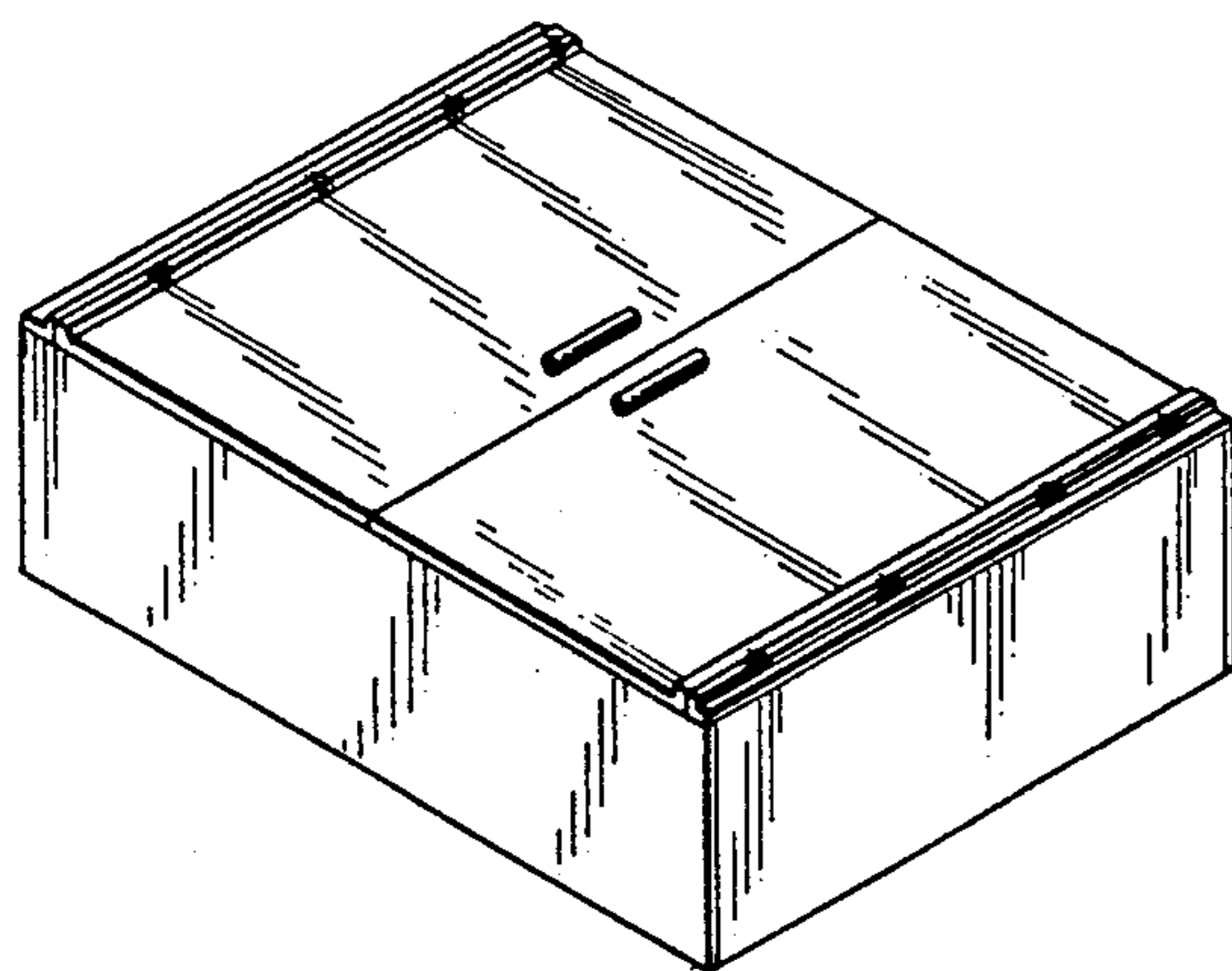


FIG. 1

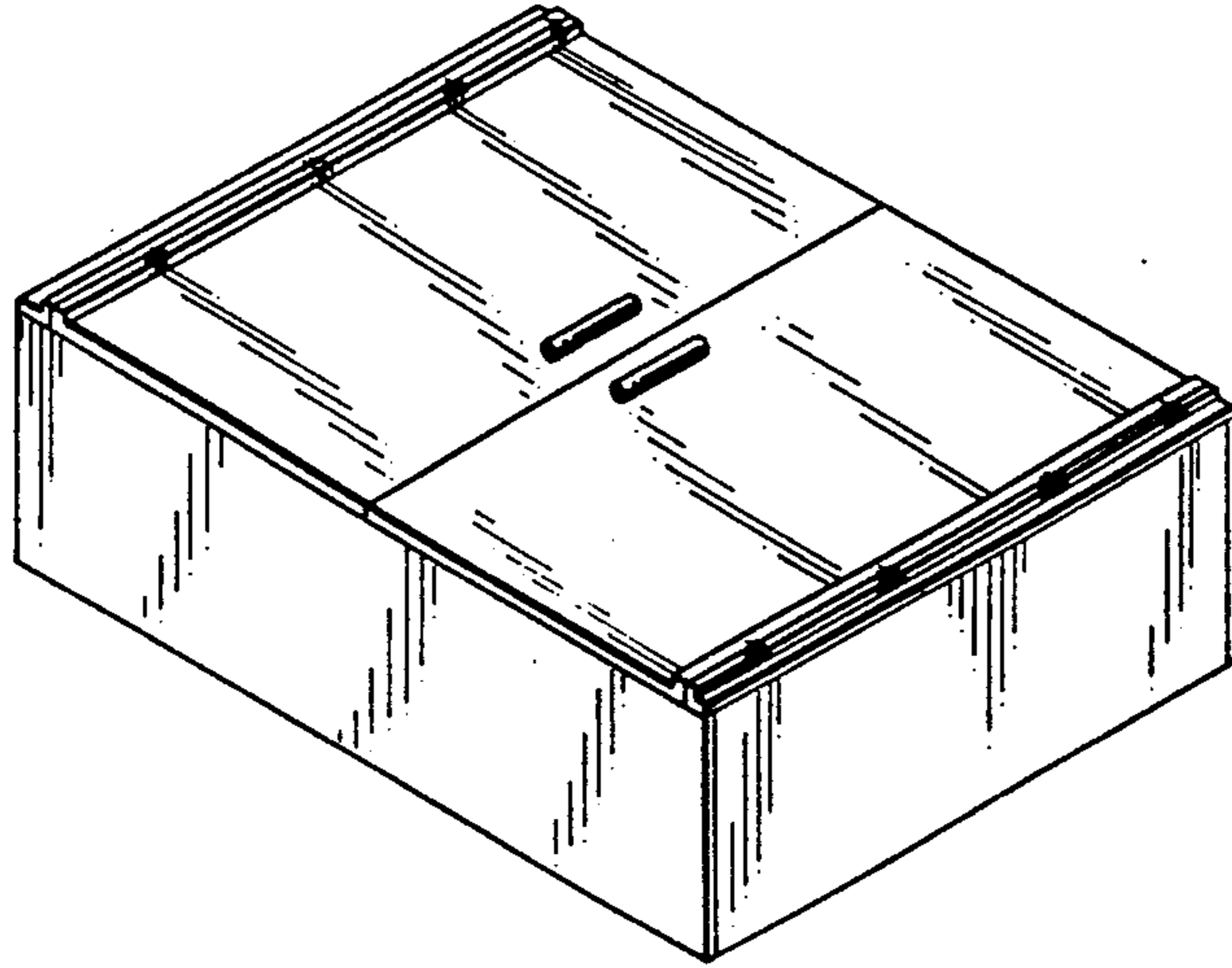


FIG. 2

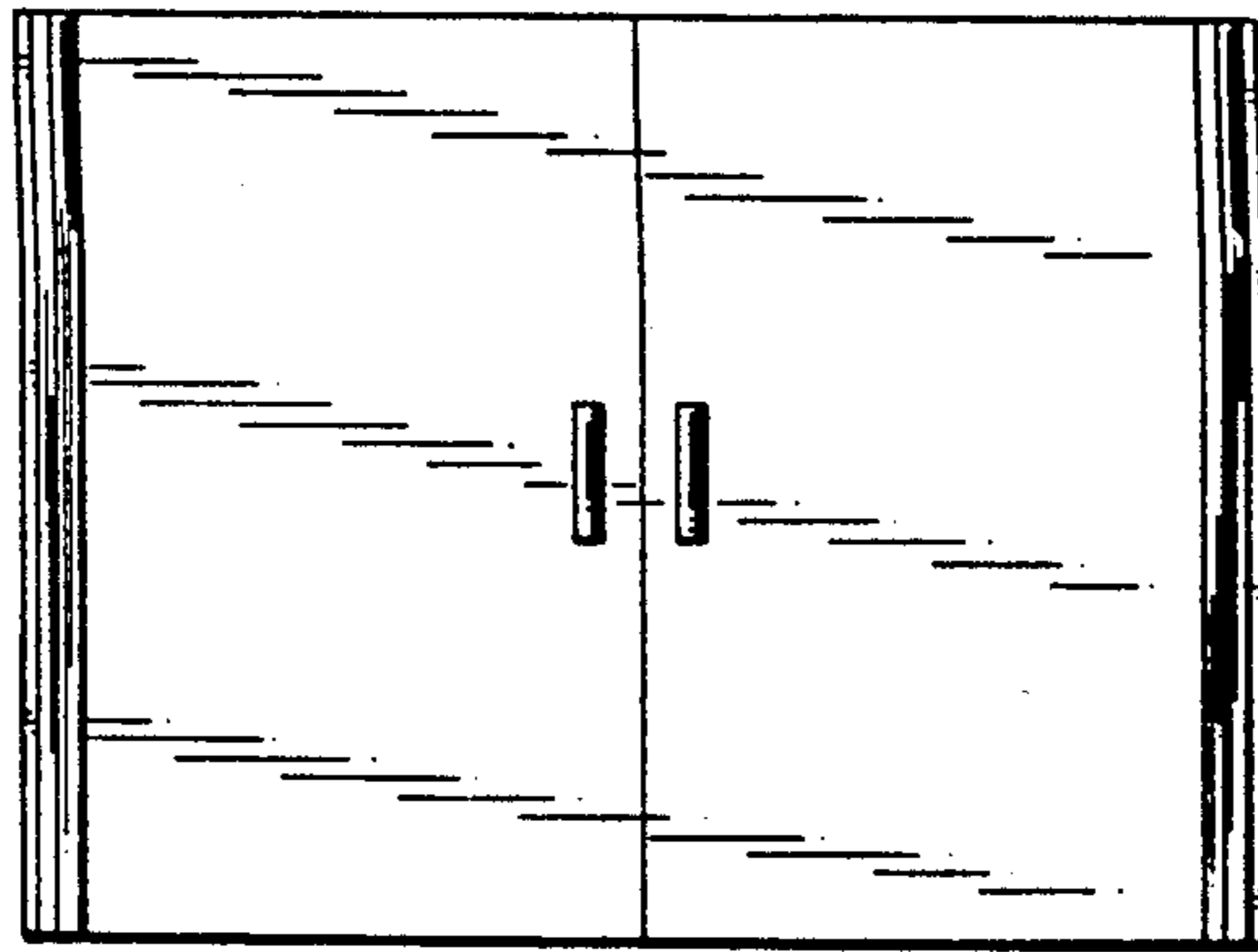


FIG. 3

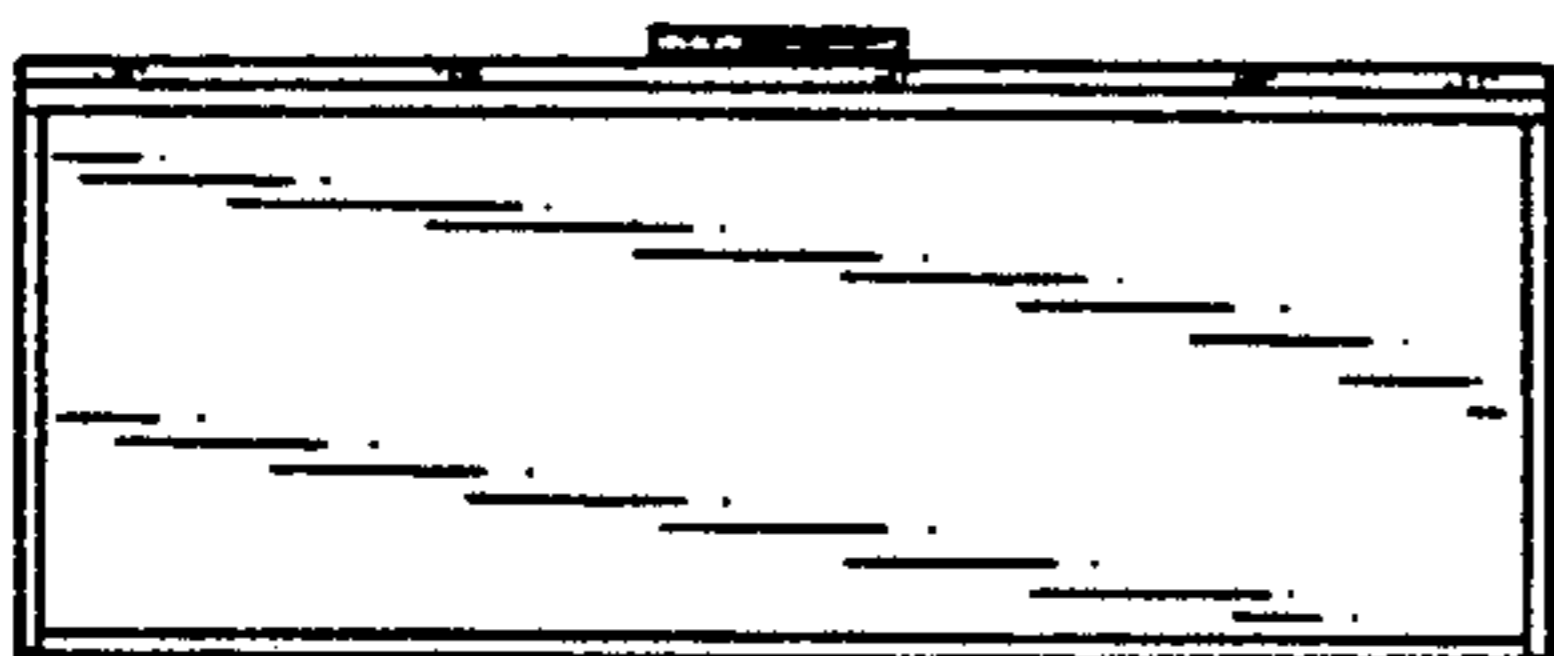


FIG. 4

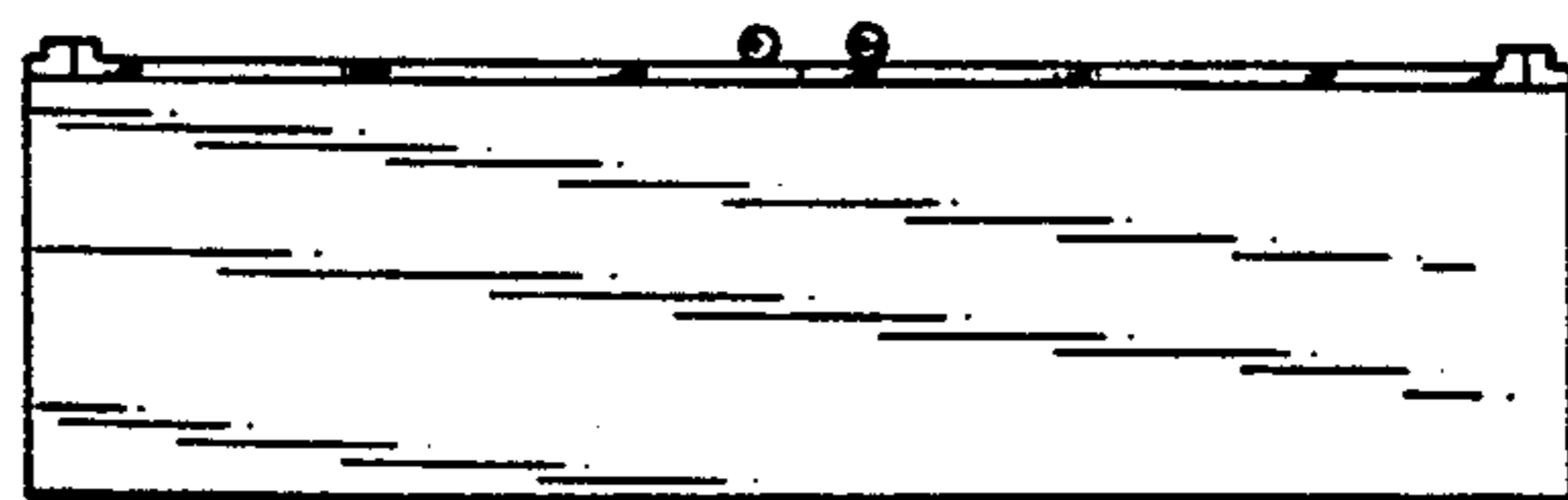


FIG. 5

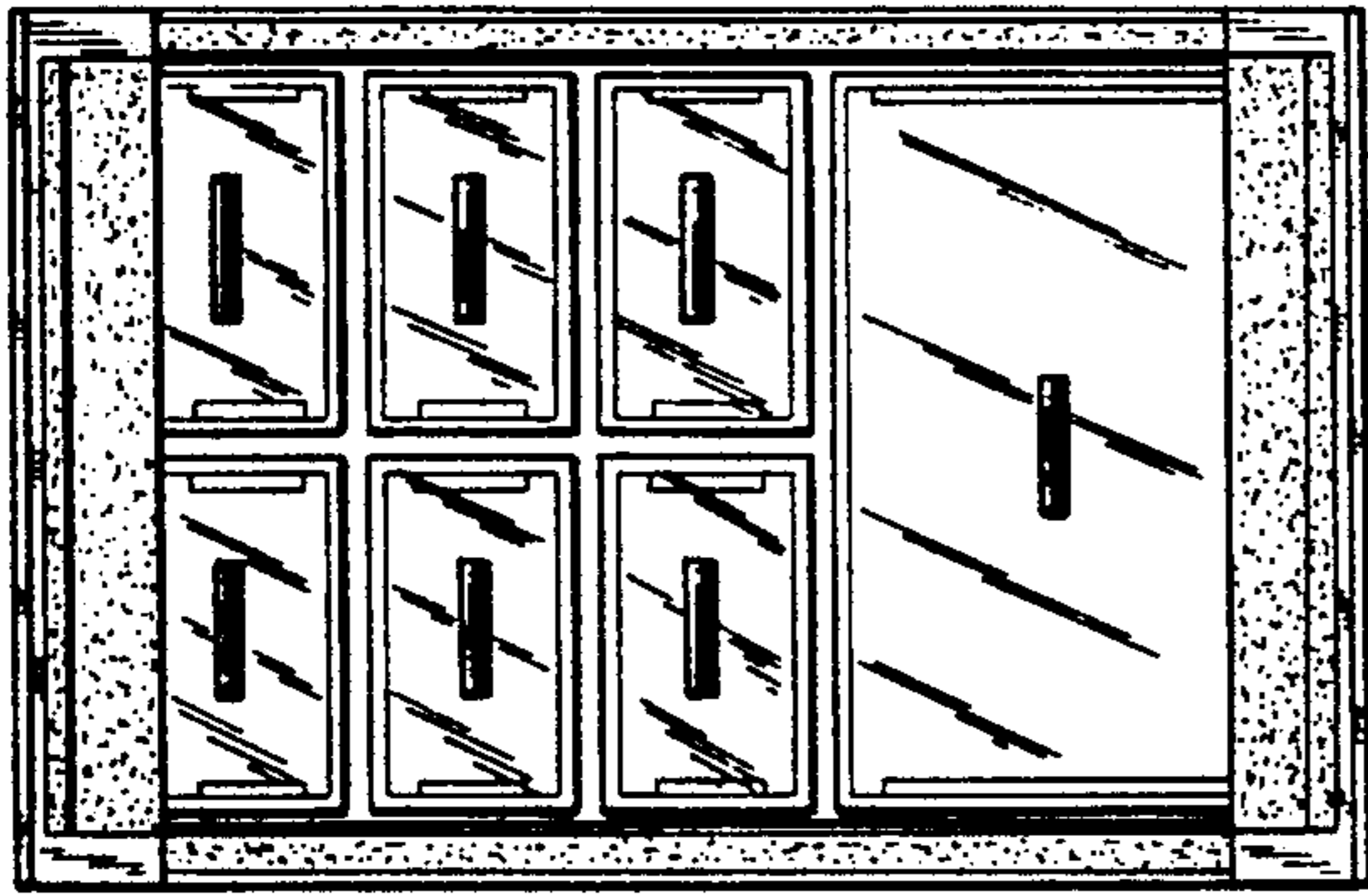


FIG. 6

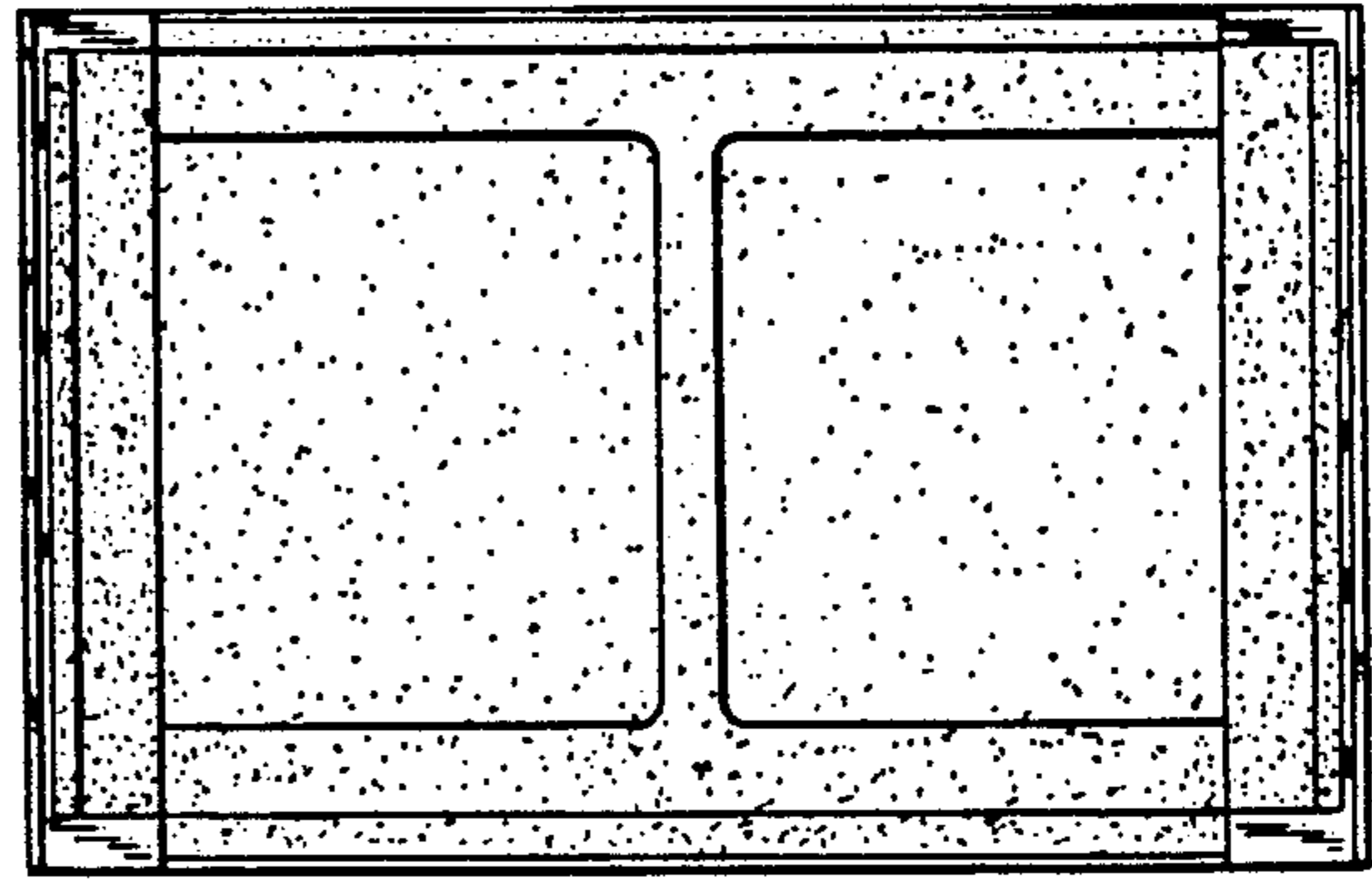


FIG. 7

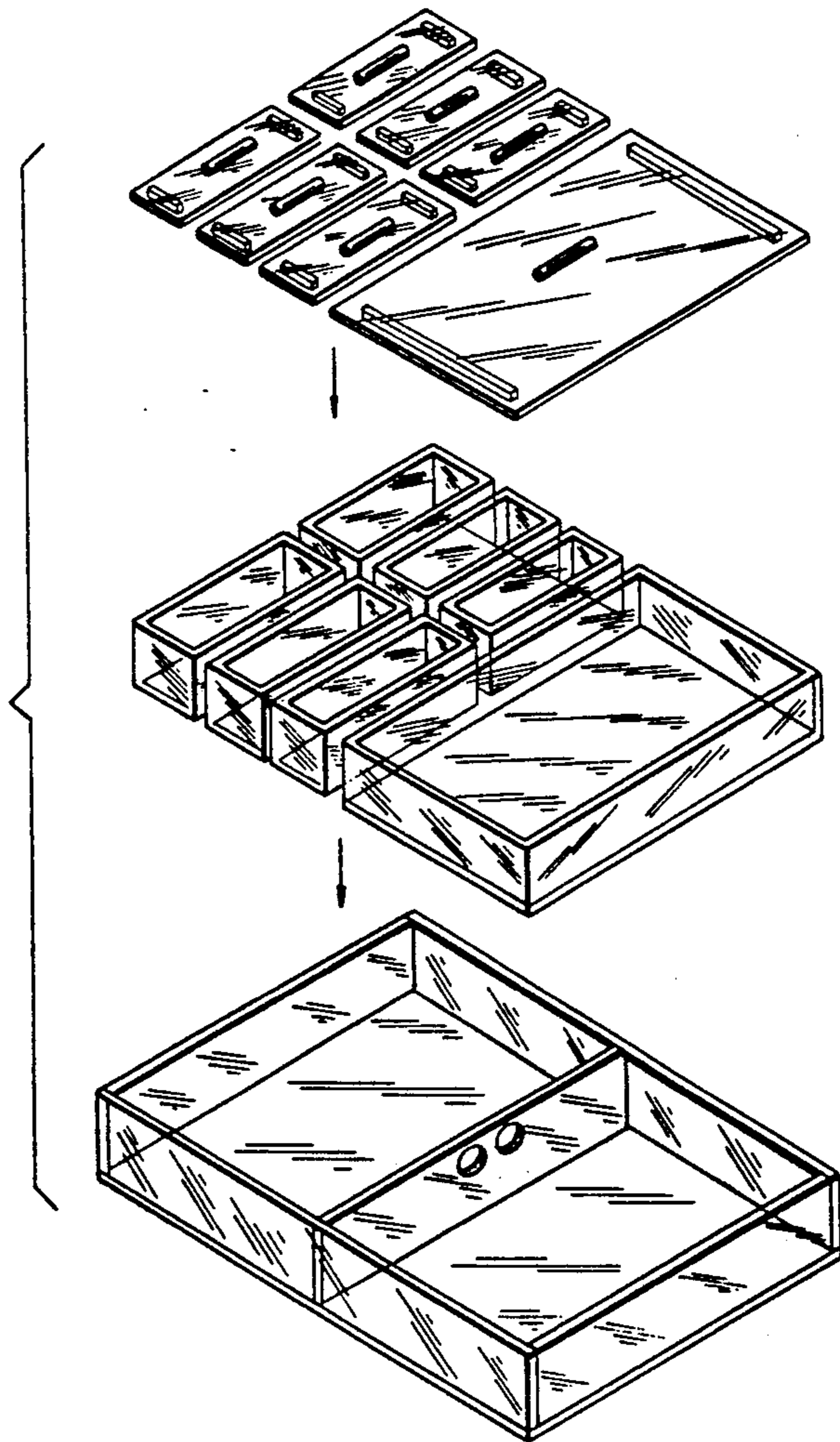


FIG. 8

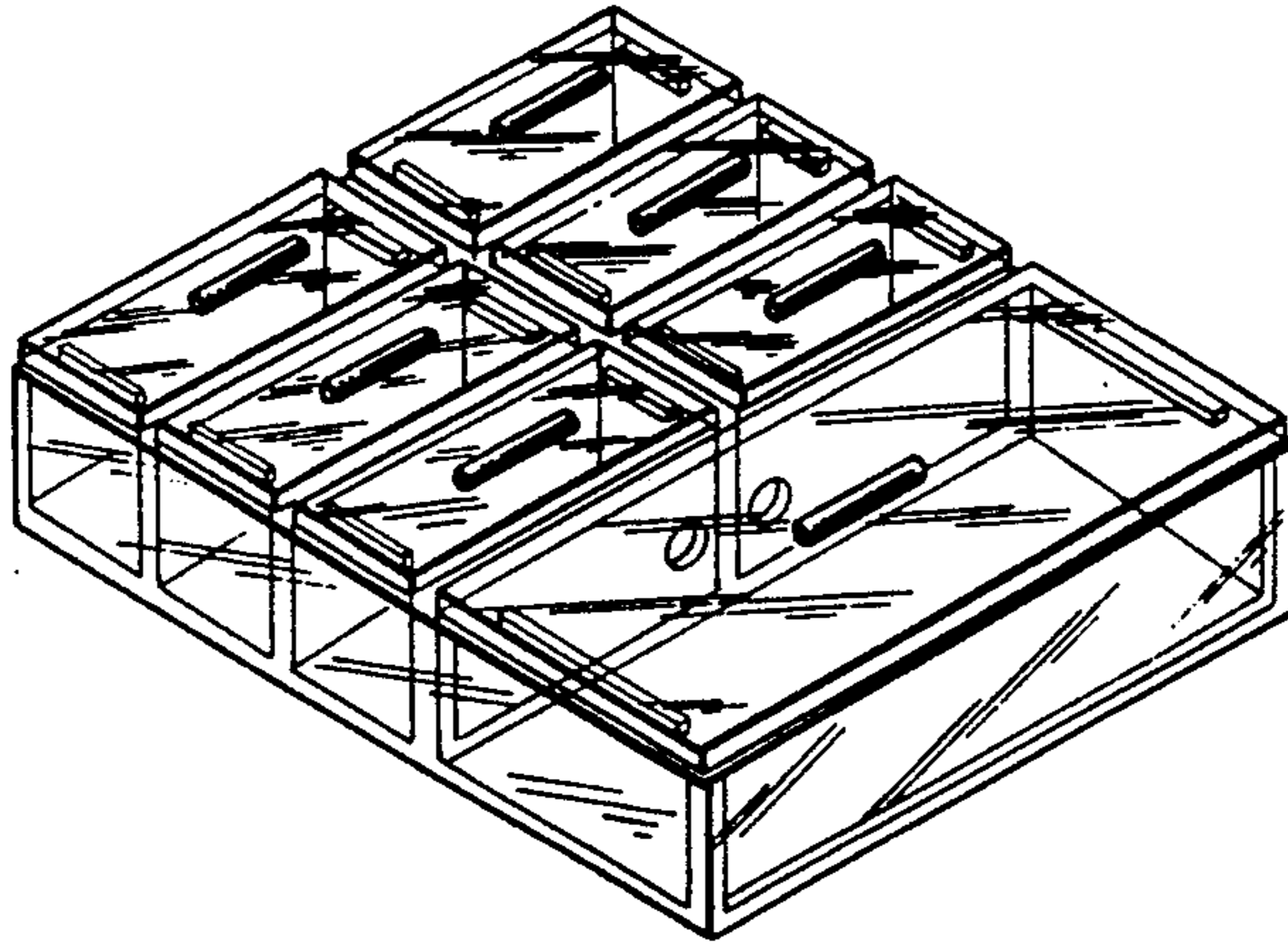


FIG. 9

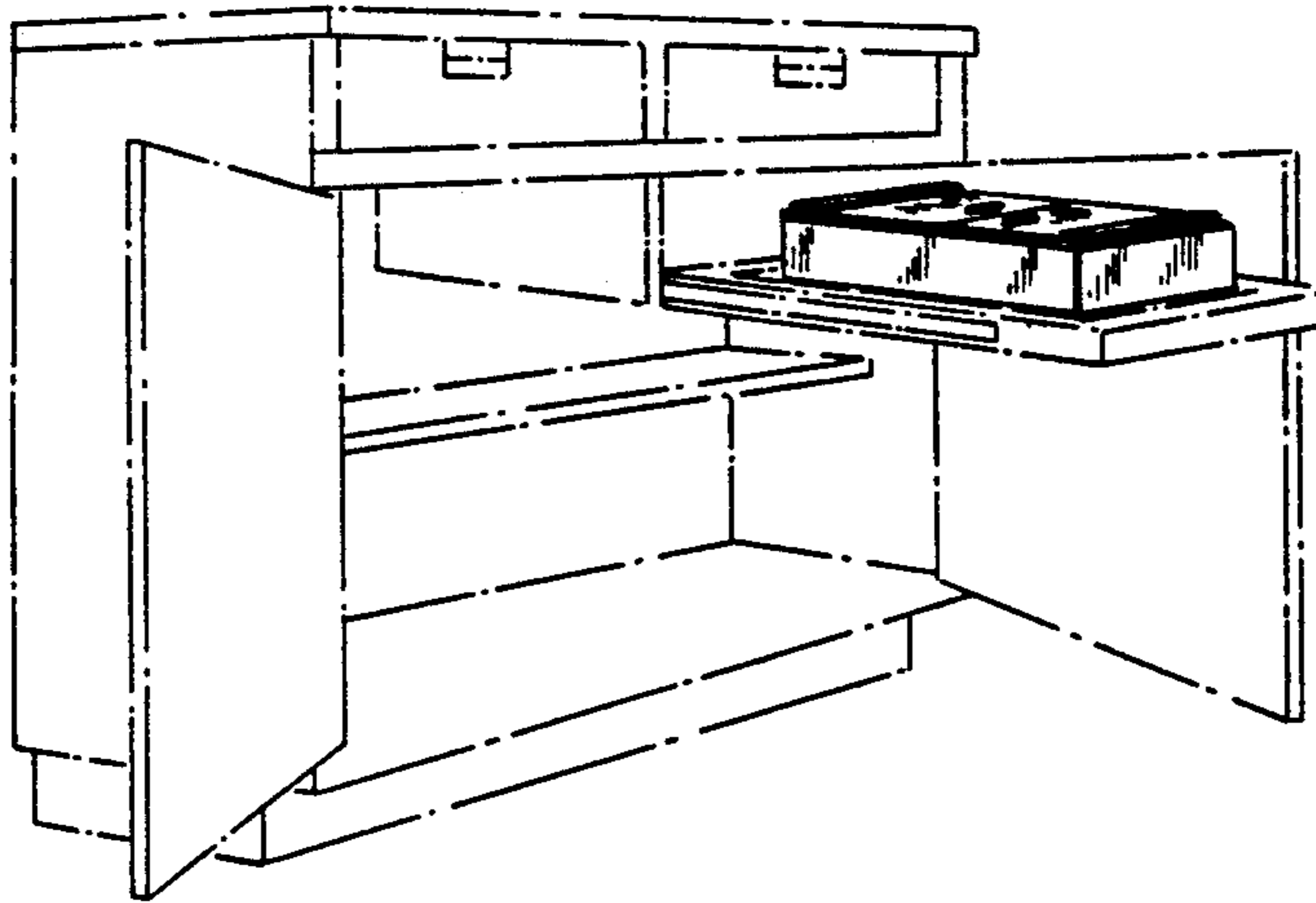


FIG. 10

