



US00D330489S

United States Patent [19]

Rintel

[11] Patent Number: **Des. 330,489**

[45] Date of Patent: **** Oct. 27, 1992**

[54] **ADJUSTABLE HOLDER FOR AN EGG TO BE DECORATED**

[76] Inventor: **David E. Rintel**, 133 North Street, Toowoomba, Queensland 4350, Australia

[**] Term: **14 Years**

[21] Appl. No.: **533,709**

[22] Filed: **Jun. 5, 1990**

[52] U.S. Cl. **D7/611; D7/688**

[58] Field of Search **D7/611, 669, 688; 118/13, 26, 406, 503; 211/14, 74; 220/508, 703**

[56] **References Cited**

U.S. PATENT DOCUMENTS

5,063,871 11/1991 Chambers 118/503 X

Primary Examiner—Terry A. Pfeffer
Attorney, Agent, or Firm—Foley & Lardner

[57] **CLAIM**

The ornamental design for an adjustable holder for an egg to be decorated, as shown and described.

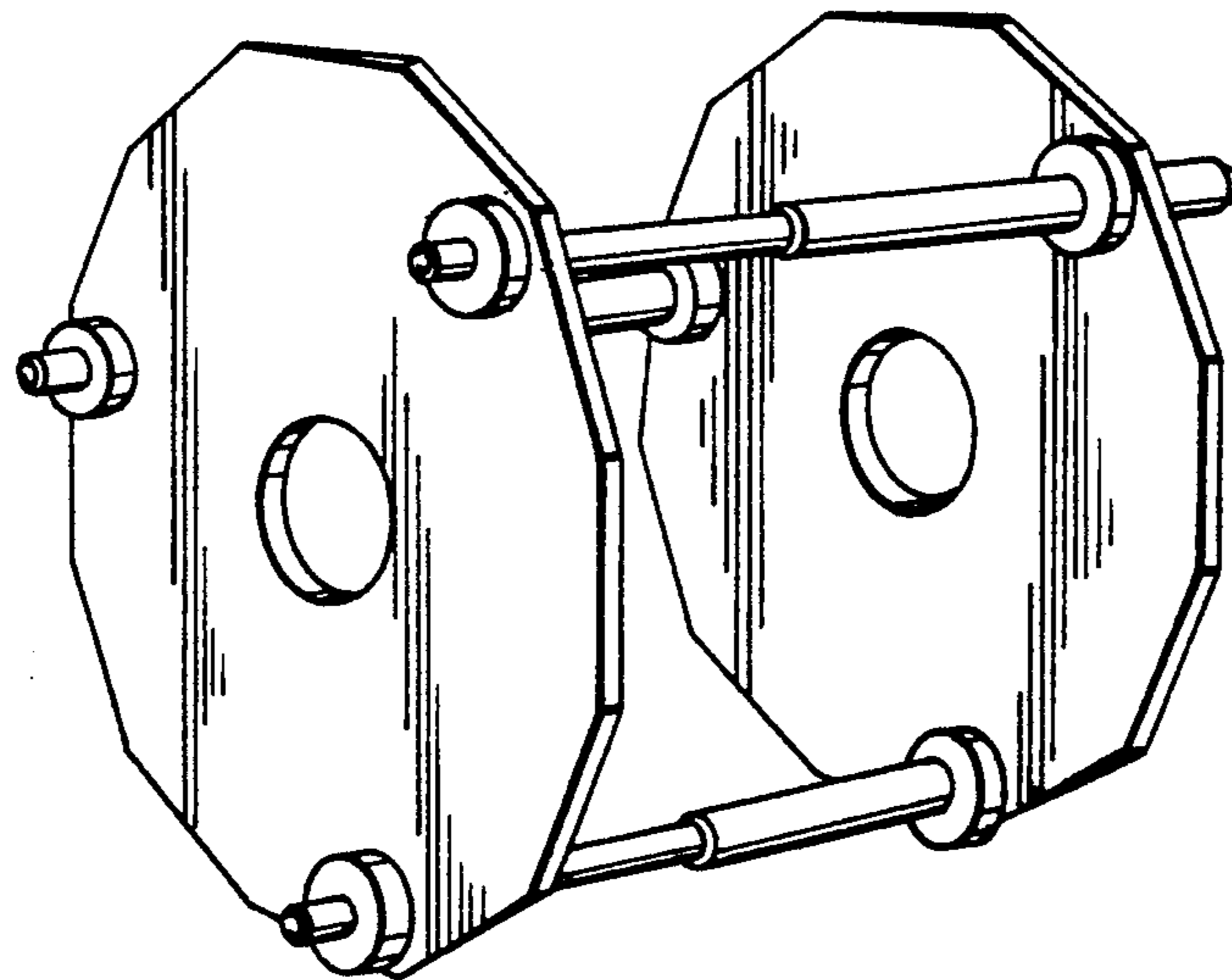
DESCRIPTION

FIG. 1 is a top, front, right side perspective view of an adjustable holder for an egg to be decorated showing my new design;

FIG. 2 is a top, rear, left side perspective view thereof;

FIG. 3 is a front elevational view thereof; and,

FIG. 4 is a side elevational view thereof.



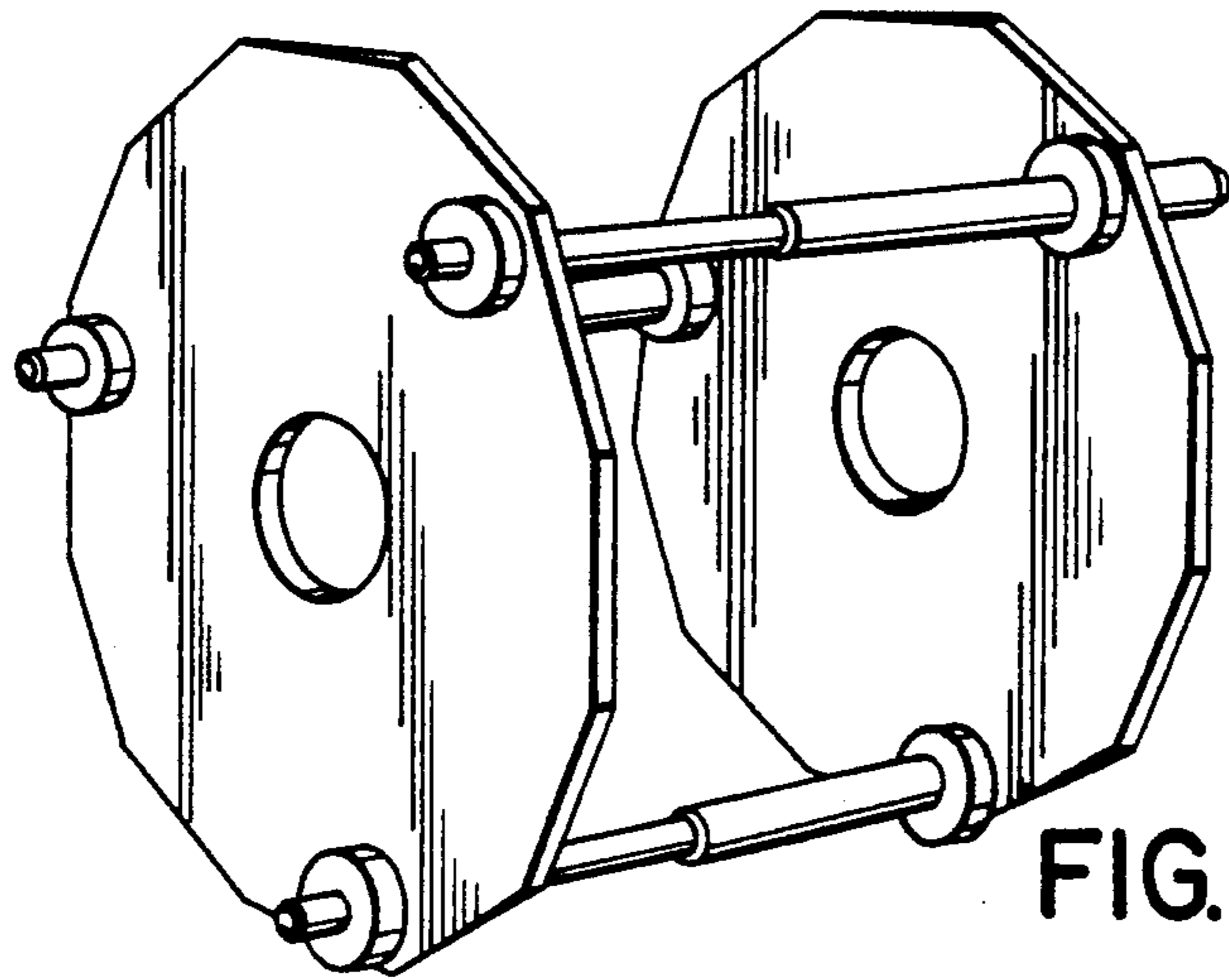


FIG. 1

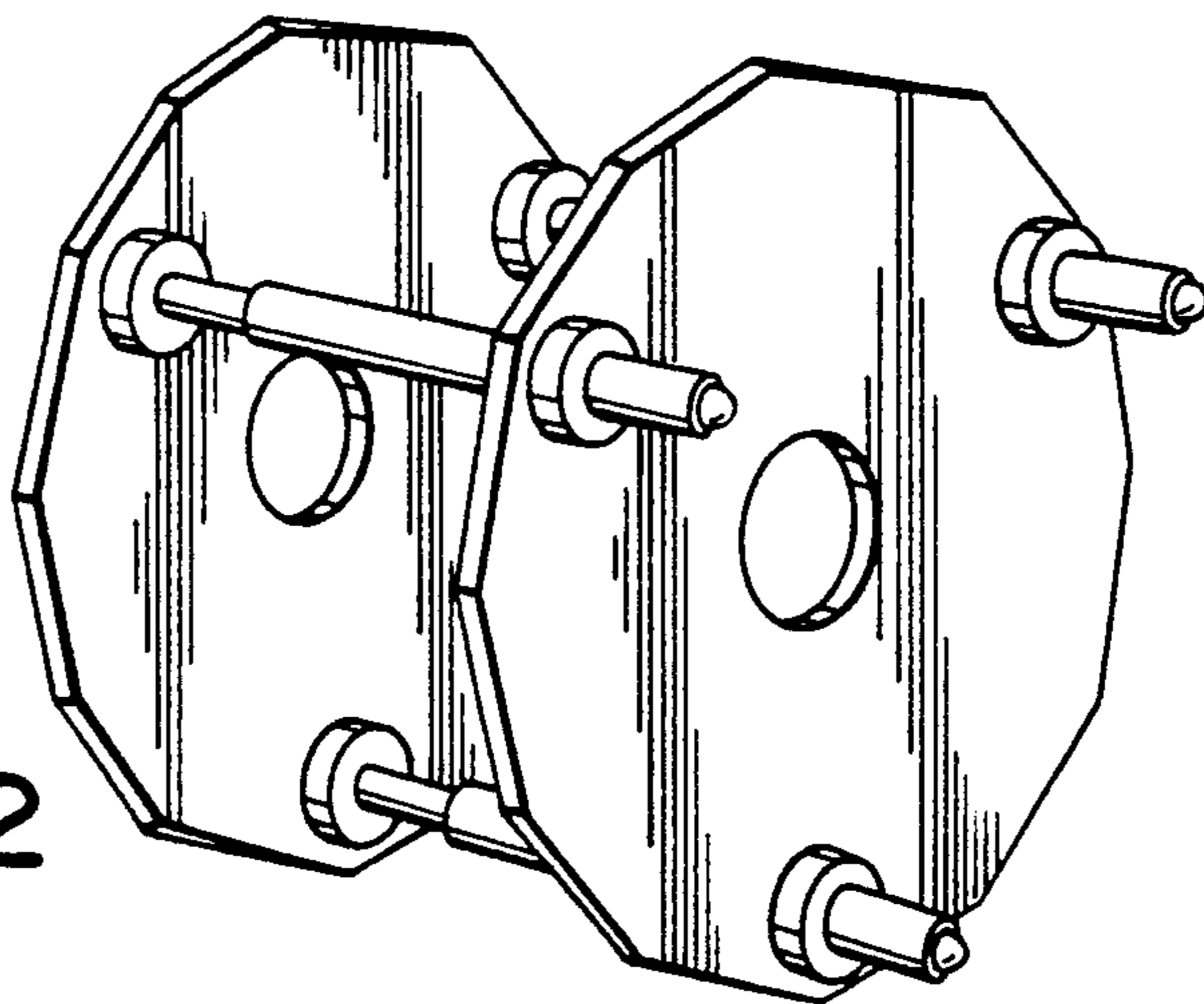


FIG. 2

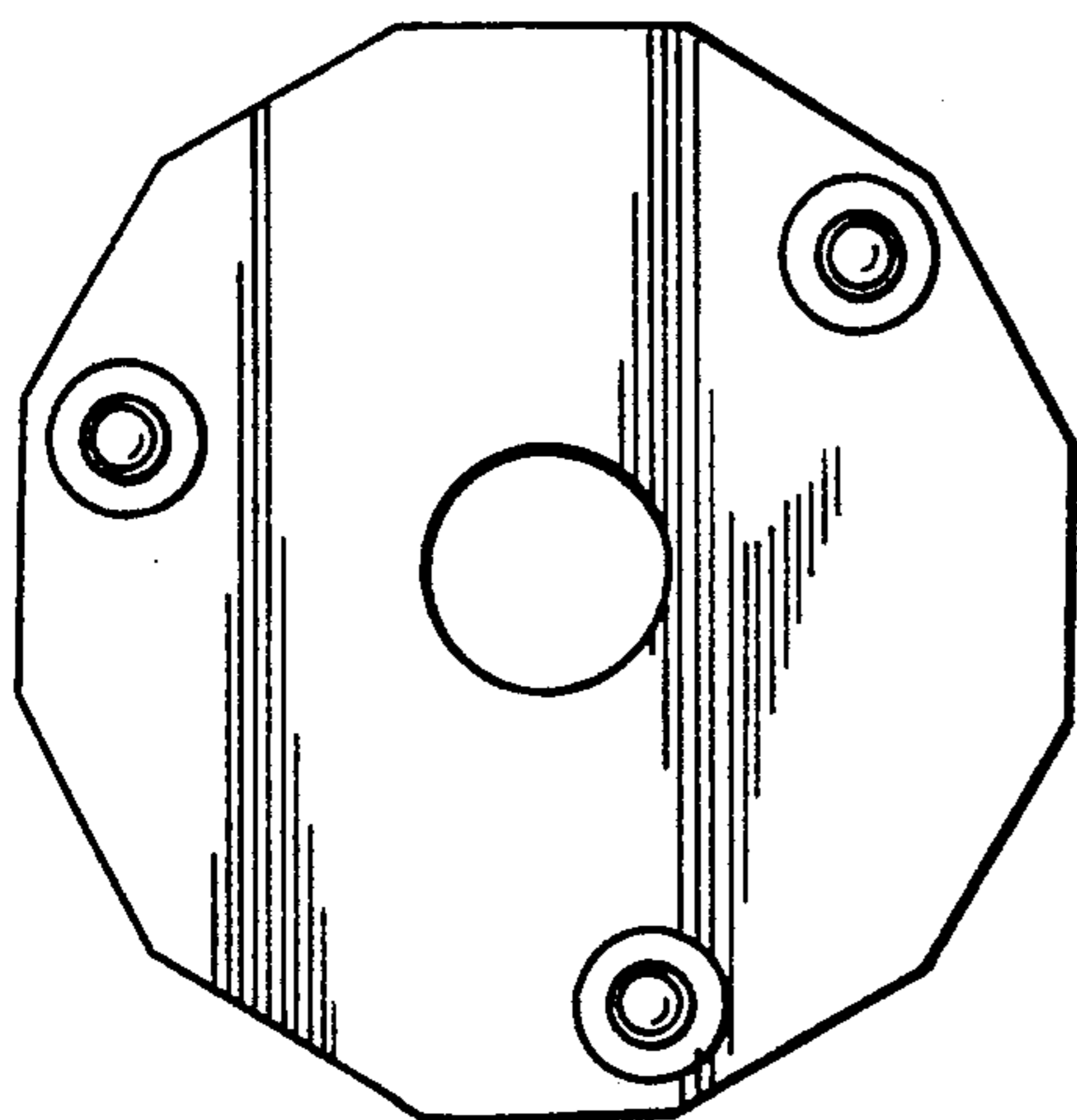


FIG. 3

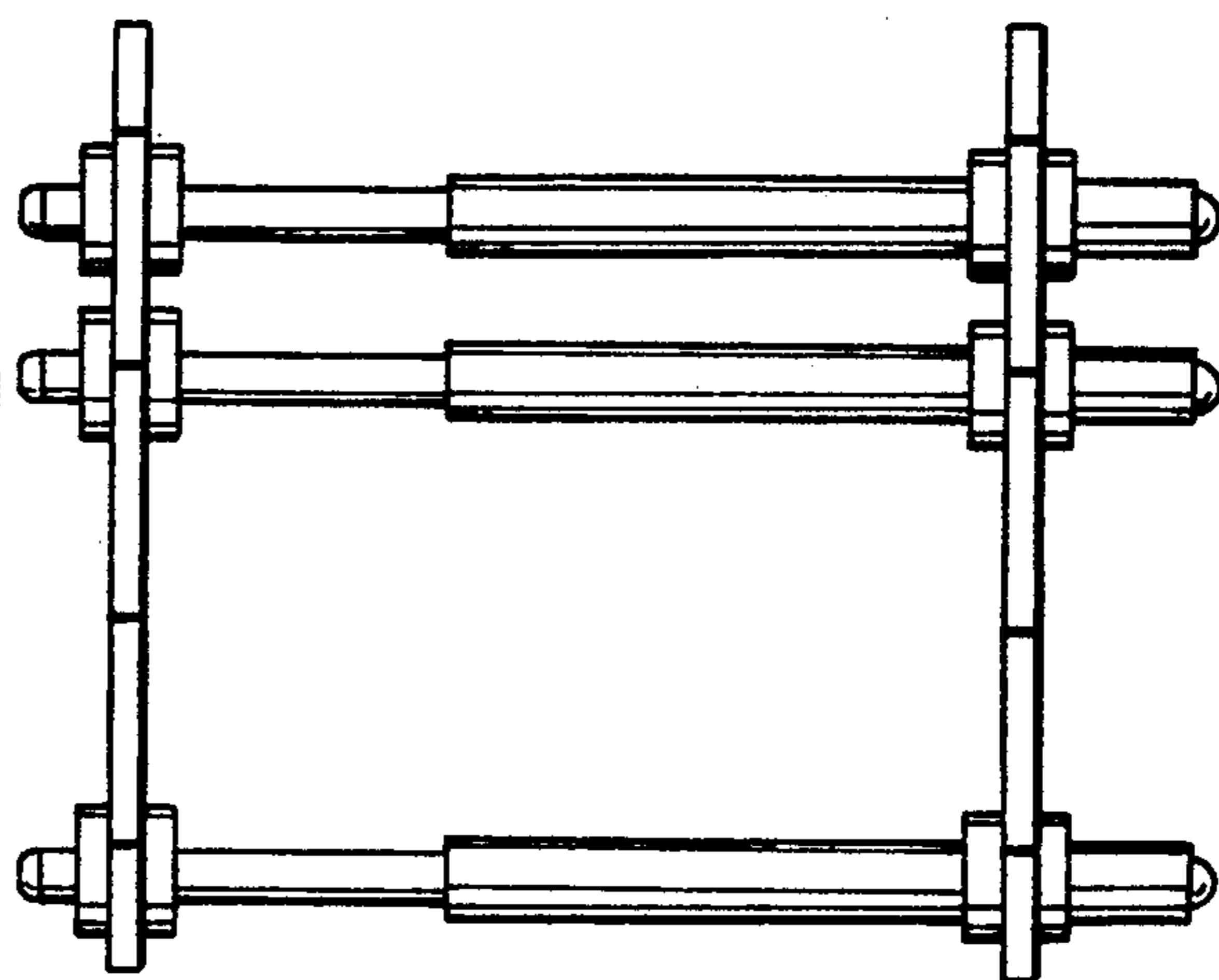


FIG. 4