



US00D330488S

# United States Patent [19]

[11] Patent Number: **Des. 330,488**

Daniels

[45] Date of Patent: **\*\* Oct. 27, 1992**

[54] **FOOD CONTAINER FOR USE WITH AN AUTOMOBILE COOLING SYSTEM**

3,858,405 1/1975 Manzke ..... 62/337  
4,103,510 8/1978 Hall ..... 62/337

[76] Inventor: **Harold K. Daniels, 264 Lincoln Ave., New Rochelle, N.Y. 10801**

*Primary Examiner*—Terry A. Pfeffer  
*Attorney, Agent, or Firm*—Terry M. Gernstein

[\*\*] Term: **14 Years**

[57] **CLAIM**

[21] Appl. No.: **556,989**

The ornamental design for a food container for use with an automobile cooling system, as shown and described.

[22] Filed: **Jul. 25, 1990**

**DESCRIPTION**

[52] U.S. Cl. .... **D7/605**

[58] Field of Search ..... **D7/605-608;**  
**62/337, 457.1, 457.7; 220/410, 412**

**FIG. 1** is a perspective view of a food container for use with an automobile cooling system showing my new design;

[56] **References Cited**

**U.S. PATENT DOCUMENTS**

D. 244,822 6/1977 Havelly et al. .... D7/605  
D. 324,627 3/1992 Rellstab ..... D7/605  
3,850,006 11/1974 Redfern ..... 62/337

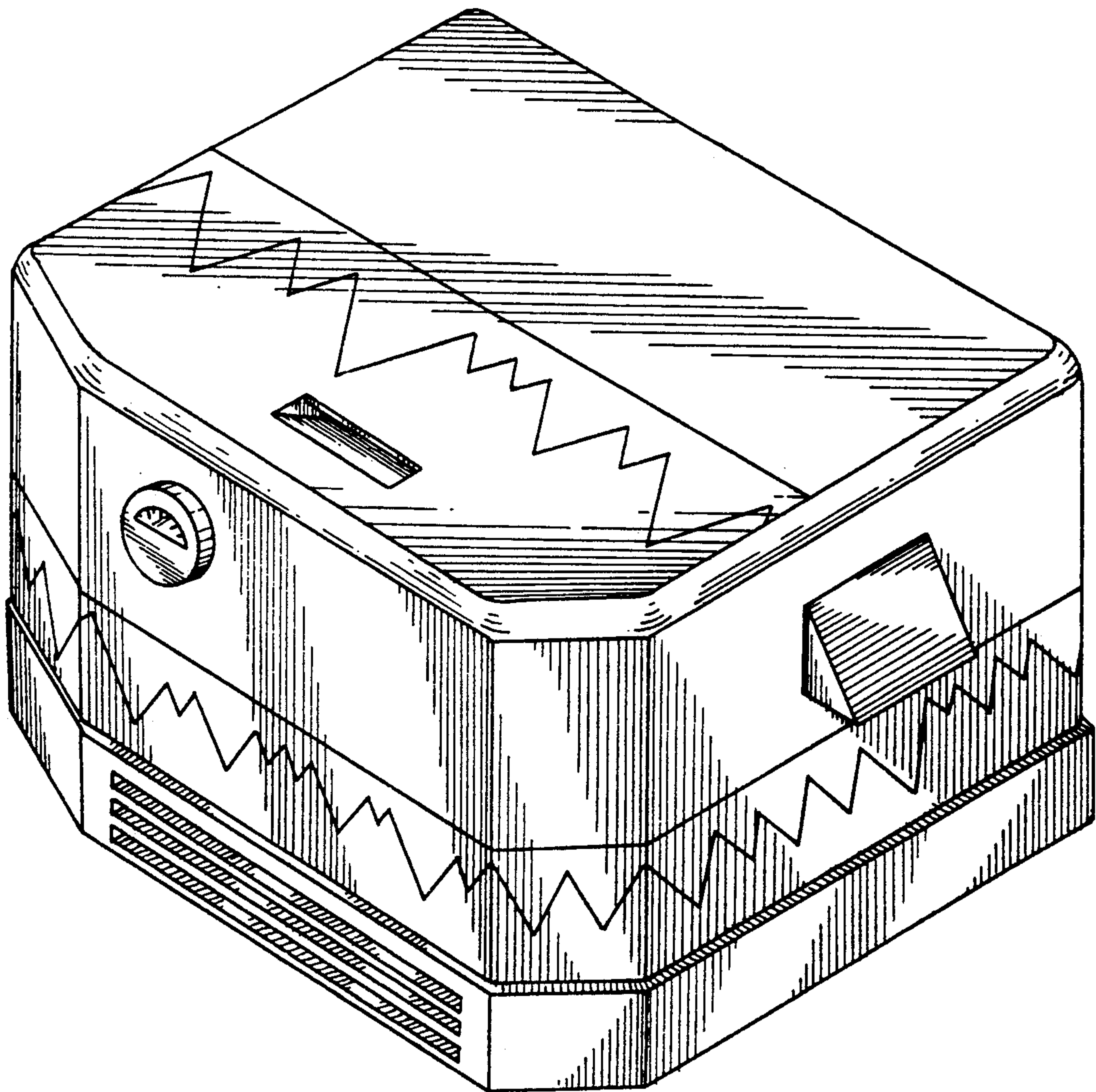
**FIG. 2** is a front elevational view thereof;

**FIG. 3** is a rear elevational view thereof;

**FIG. 4** is a side elevational view thereof, the opposite side being identical;

**FIG. 5** is a top plan view thereof; and,

**FIG. 6** is a bottom plan view thereof.



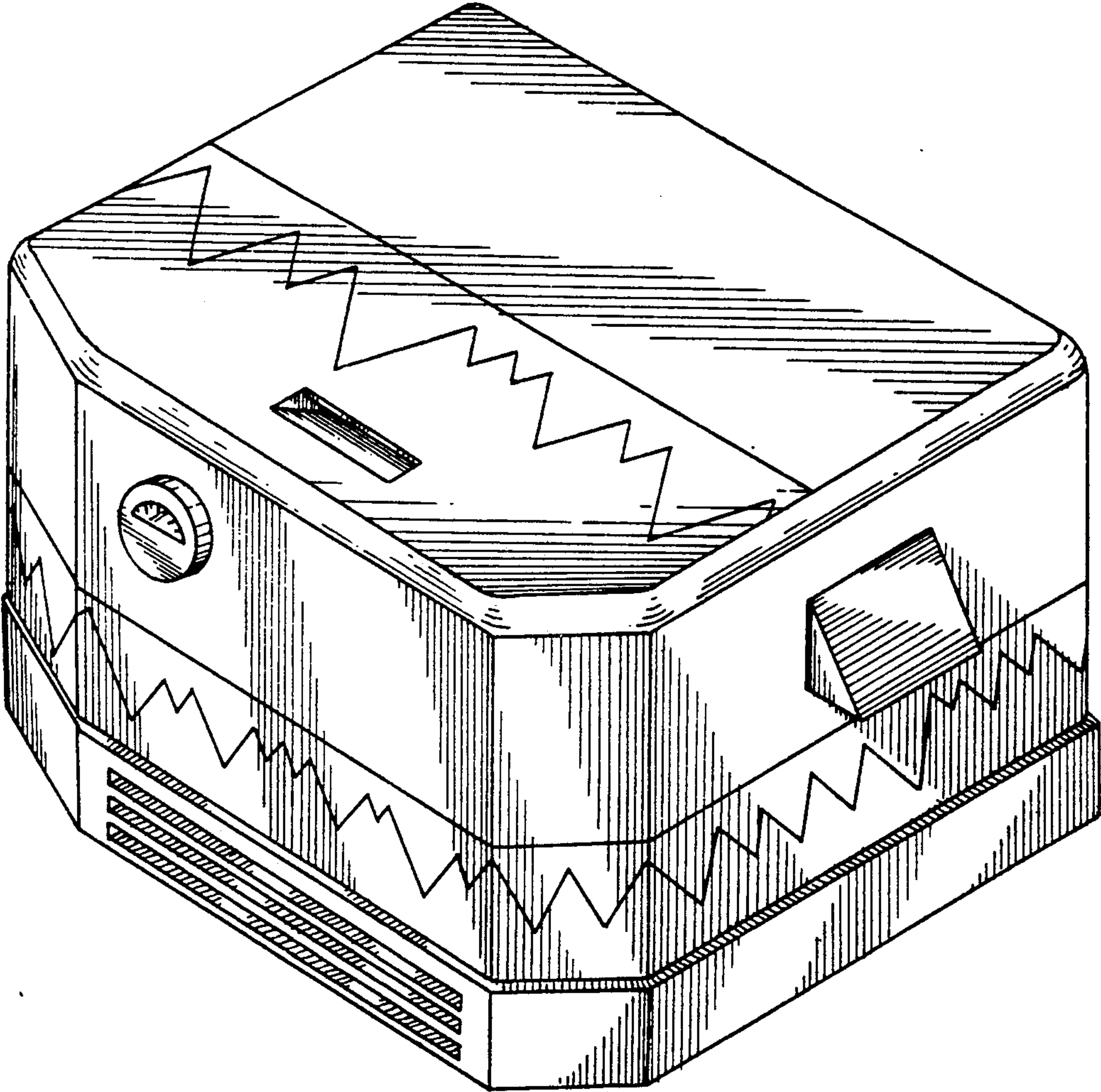


FIG. 1.

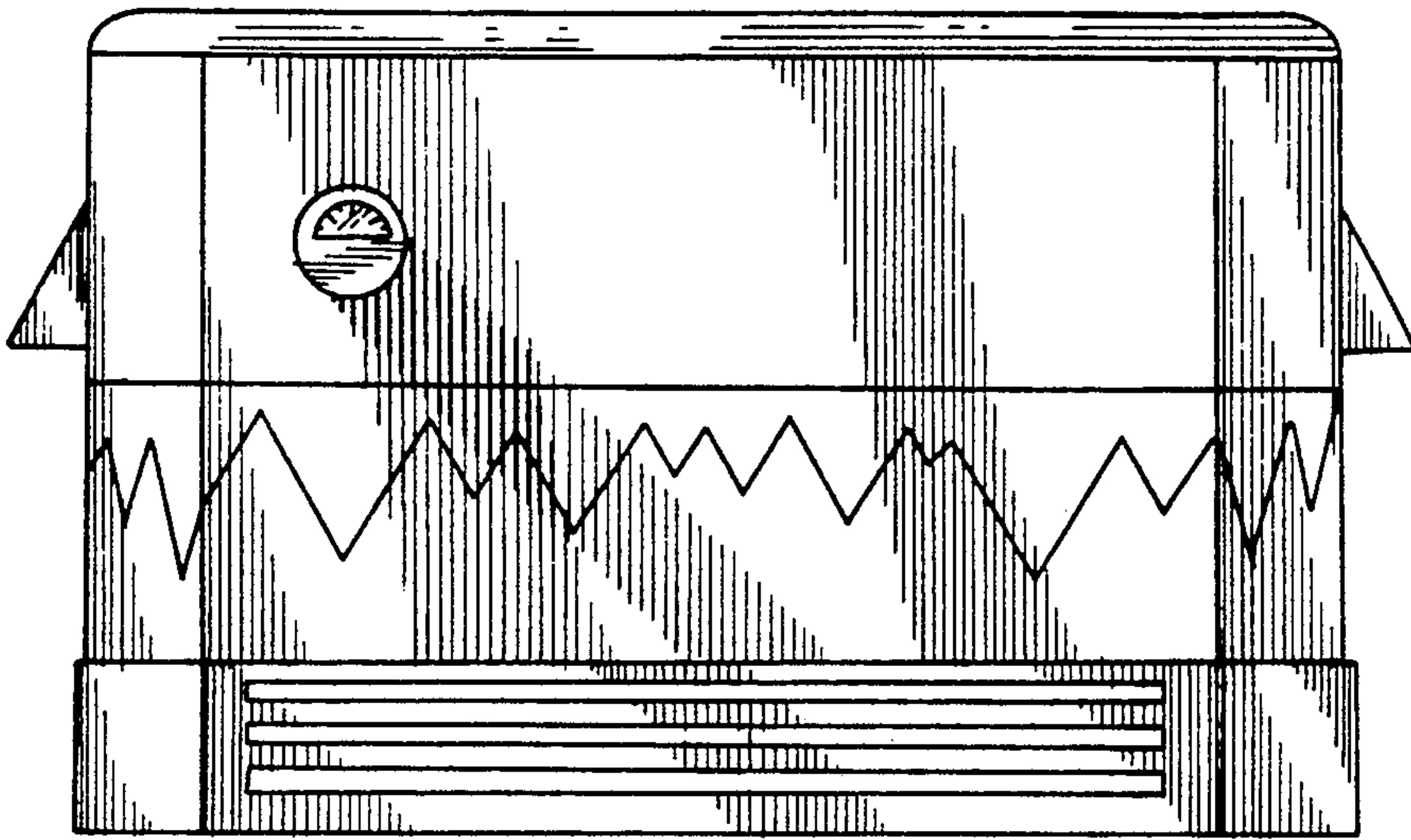


FIG. 2.

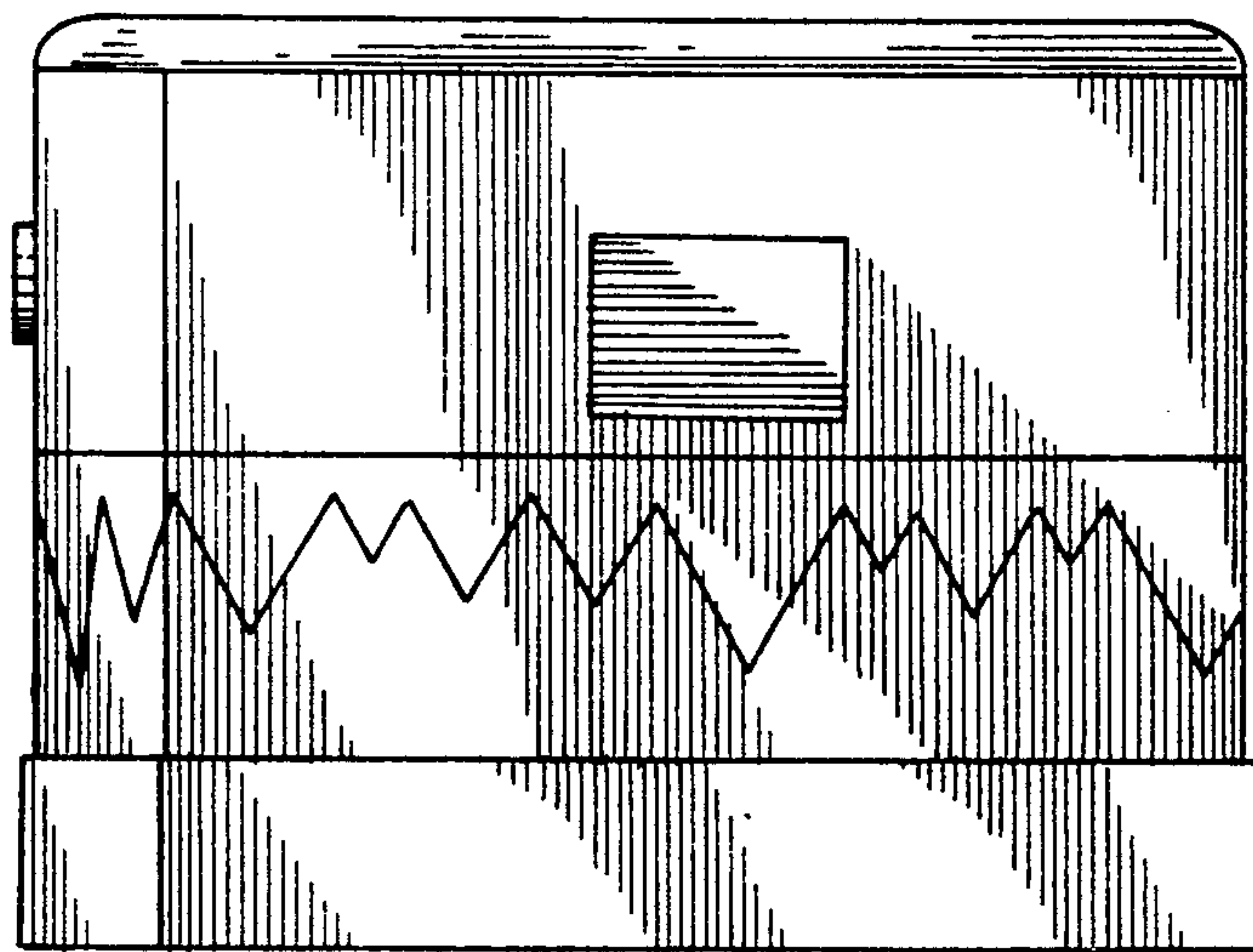


FIG. 4.



FIG. 3.

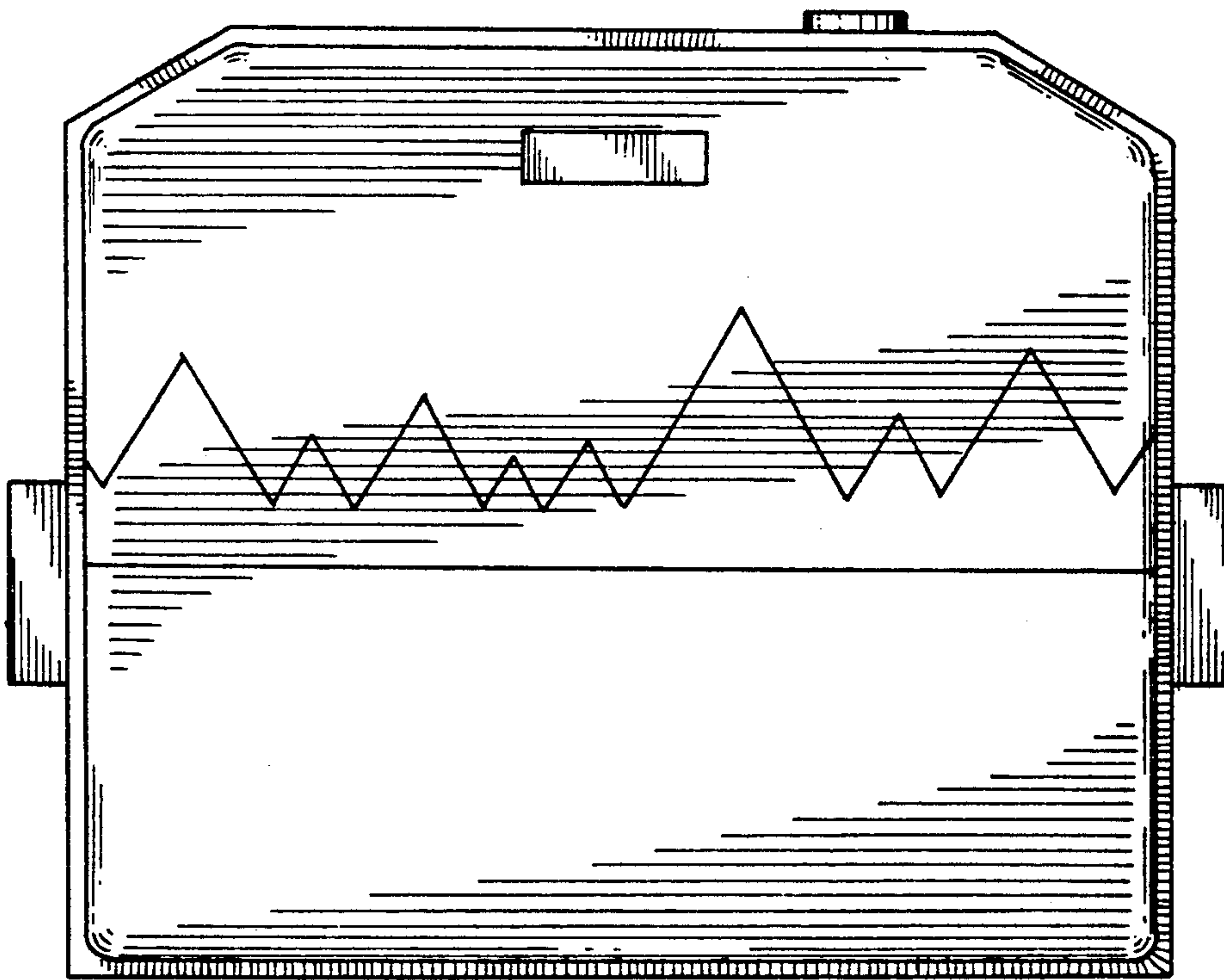
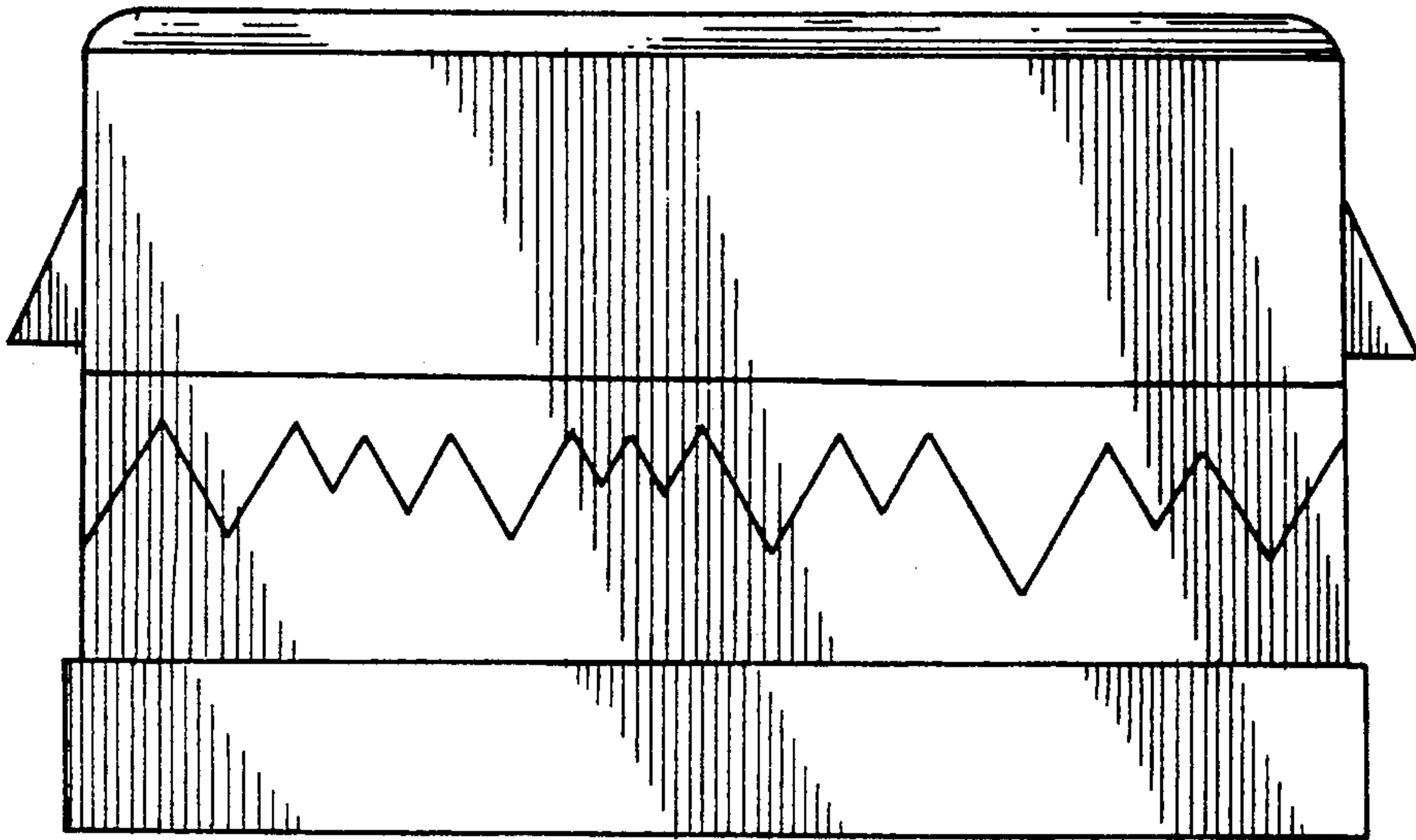


FIG. 5.

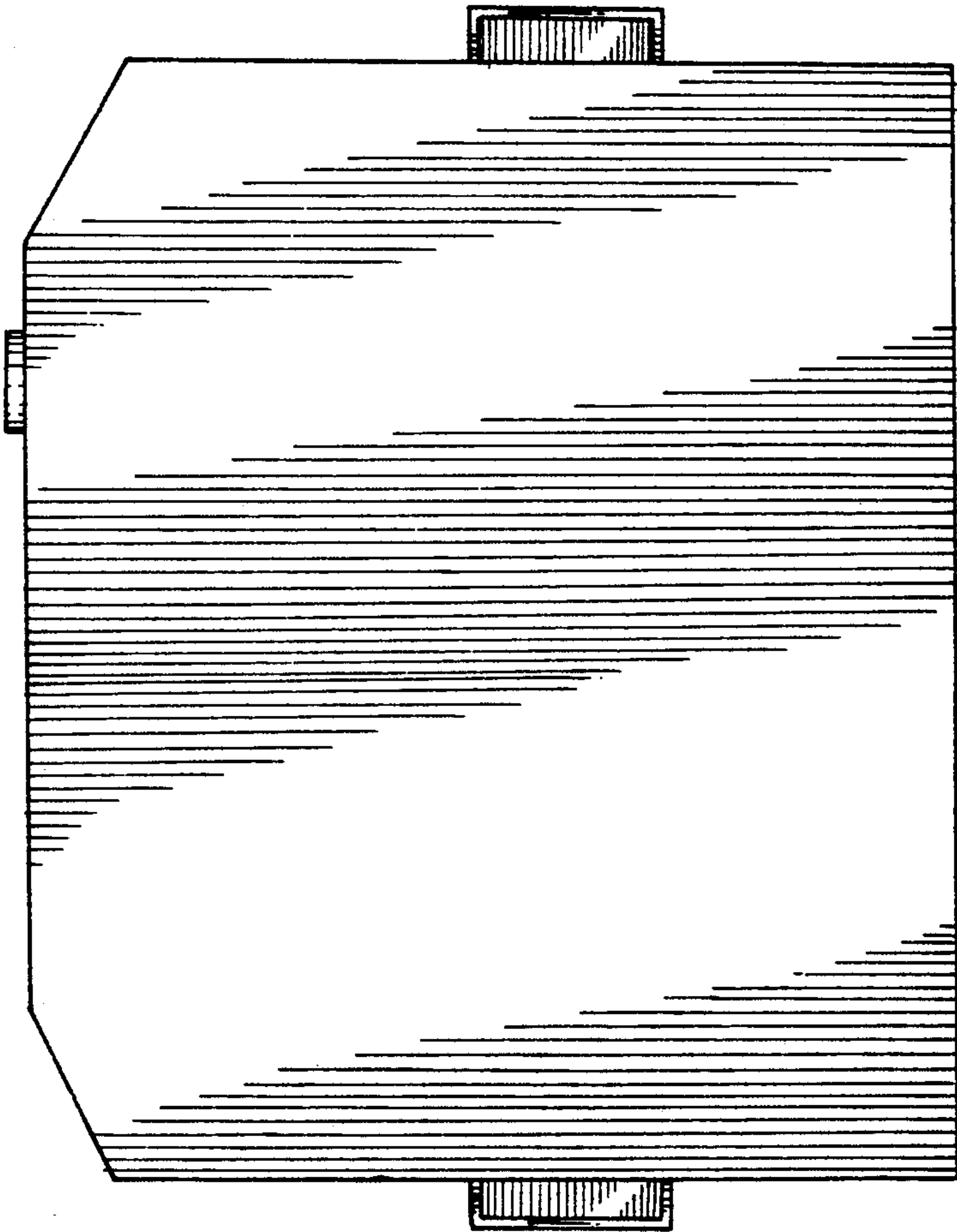


FIG. 6.