



US00D330486S

**United States Patent** [19]  
**DeCoster**

[11] **Patent Number: Des. 330,486**  
[45] **Date of Patent: \*\* Oct. 27, 1992**

[54] **TRAY WITH HANDLE**

[75] **Inventor: Pieter K. J. DeCoster, Aalst, Belgium**

[73] **Assignee: Dart Industries Inc., Deerfield, Ill.**

[\*\*] **Term: 14 Years**

[21] **Appl. No.: 533,053**

[22] **Filed: May 29, 1990**

[52] **U.S. Cl. .... D7/600**

[58] **Field of Search ..... D7/590, 592, 600;  
206/557, 564; 211/71, 74, 126; 222/179.5**

[56] **References Cited**

**U.S. PATENT DOCUMENTS**

D. 146,733	5/1947	Ballard .....	D7/592
1,744,054	1/1930	Mosgrove .....	222/179.5 X
2,237,718	4/1941	Thompson et al. ....	D7/592 X

**OTHER PUBLICATIONS**

Federal Tool Corp., p. 2, range set condiment shakers w/tray.

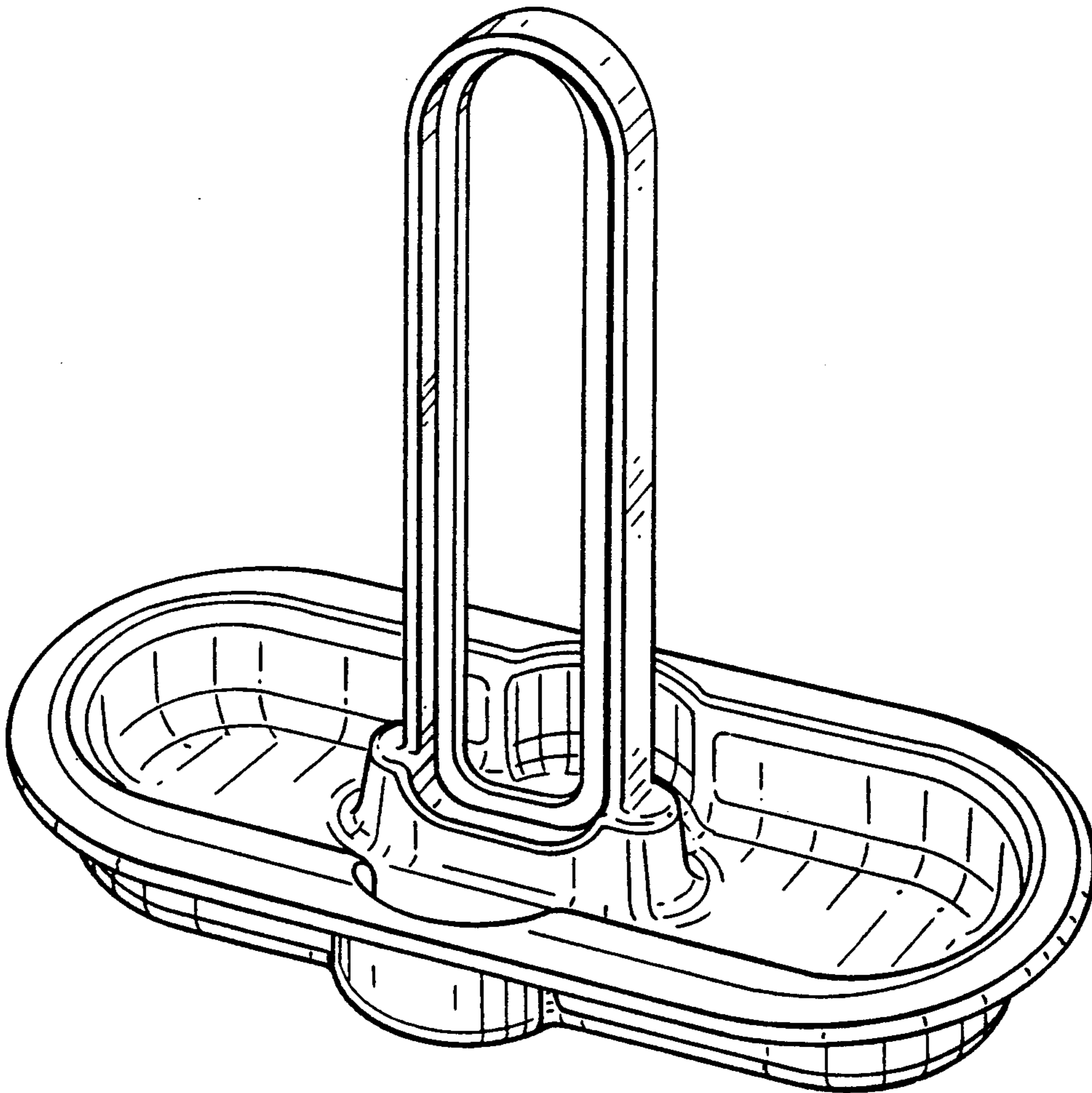
*Primary Examiner*—Terry A. Pfeffer  
*Attorney, Agent, or Firm*—John A. Doninger

[57] **CLAIM**

The ornamental design for a tray with handle, as shown.

**DESCRIPTION**

FIG. 1 is a top perspective view of the tray with handle showing my new design;  
FIG. 2 is a top plan view thereof;  
FIG. 3 is a bottom plan view thereof;  
FIG. 4 is a front elevational view thereof;  
FIG. 5 is a rear elevational view thereof;  
FIG. 6 is a right side elevational view thereof;  
FIG. 7 is a left side elevational view thereof;  
FIG. 8 is a cross-sectional view taken along line 8—8 of FIG. 6; and,  
FIG. 9 is a cross-sectional view taken along line 9—9 of FIG. 5.



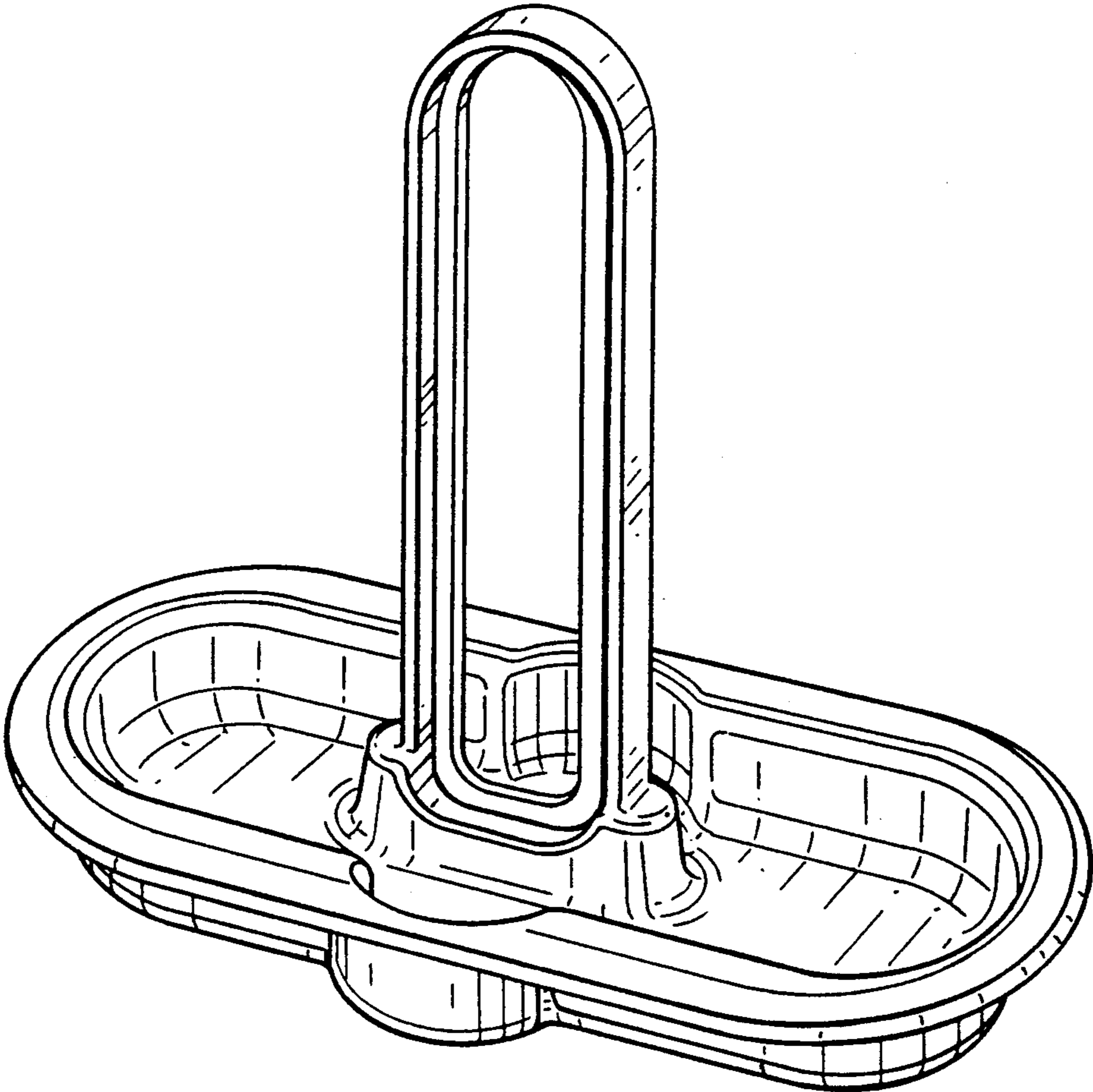


FIG. 1

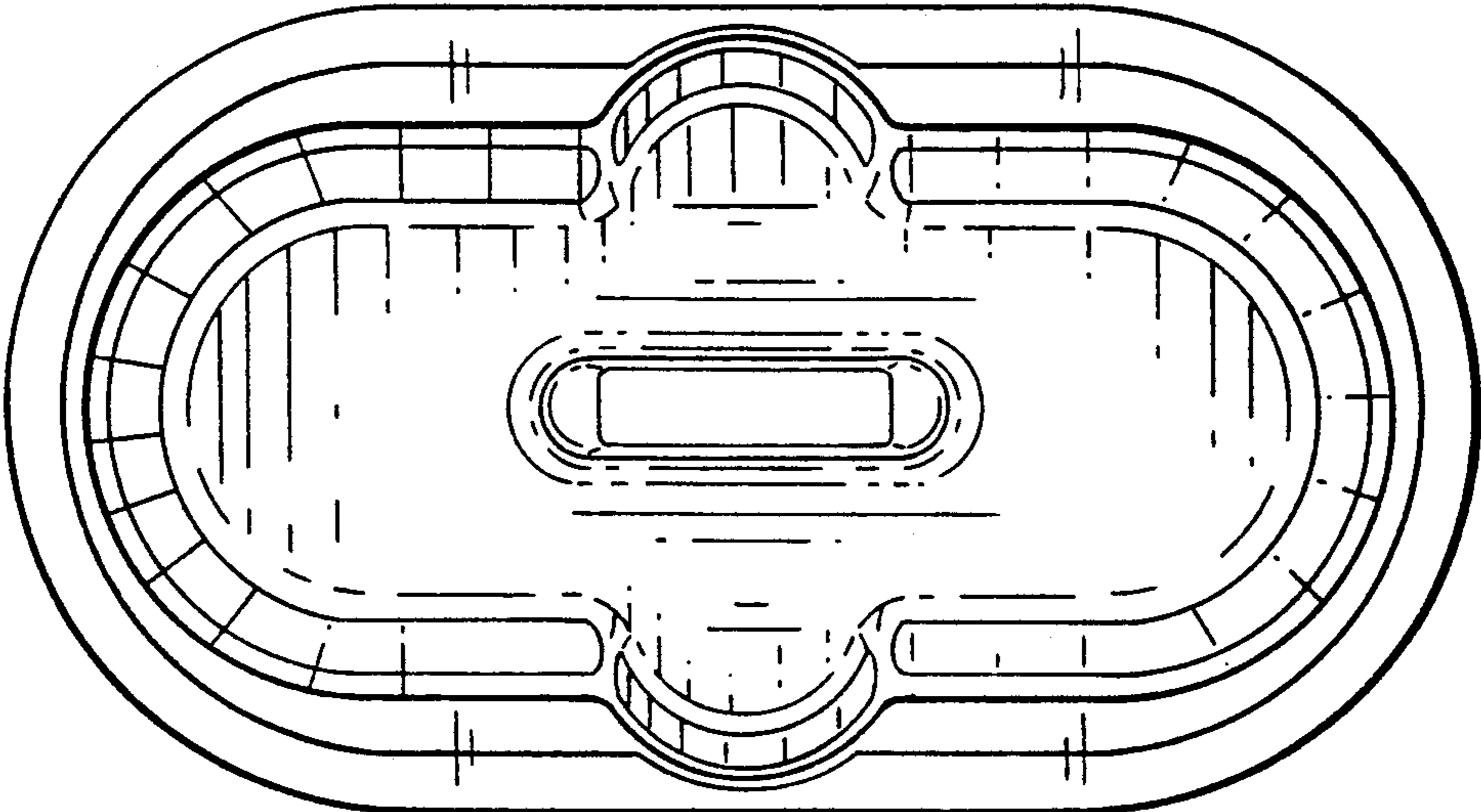


FIG. 2

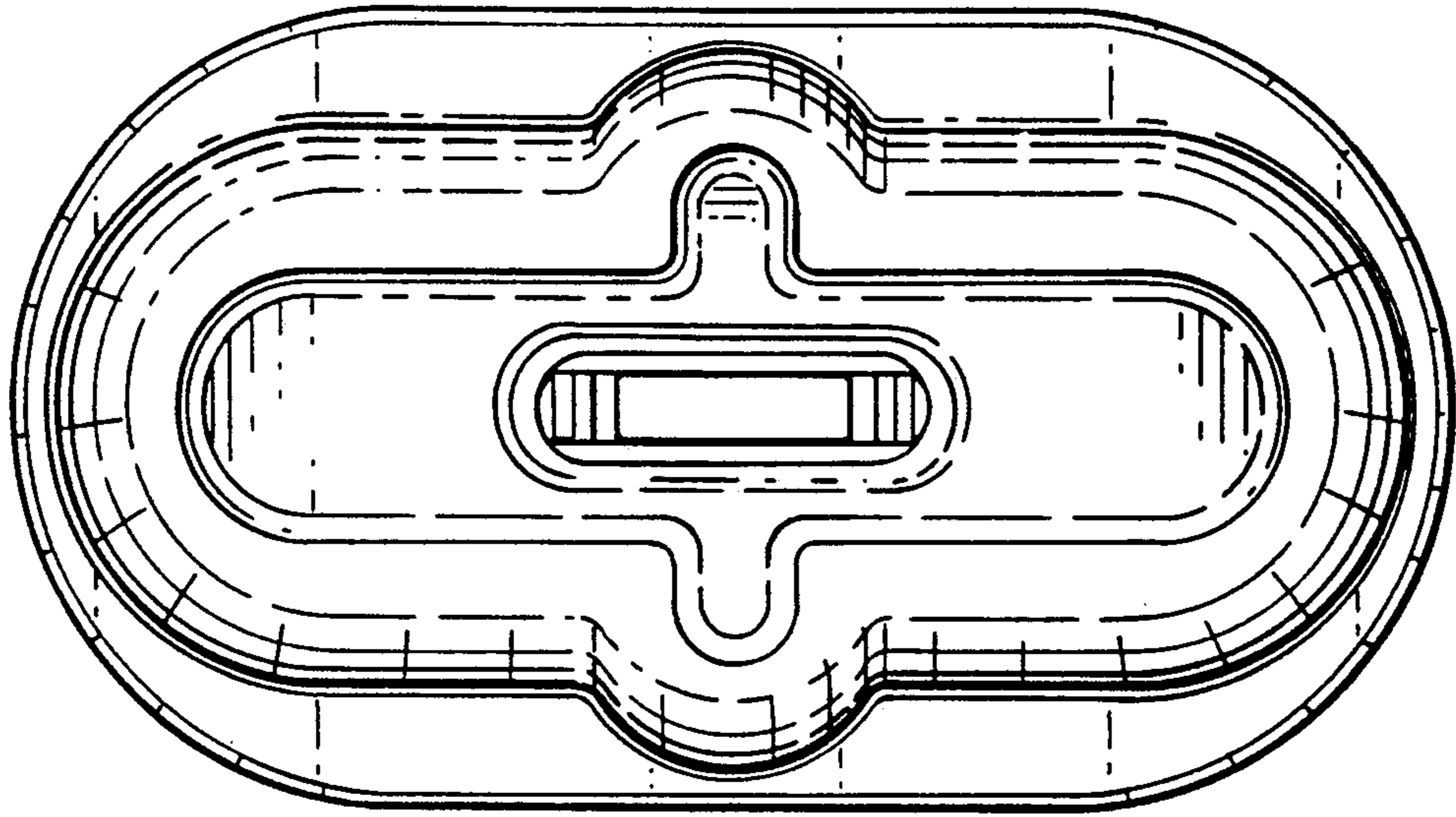


FIG. 3

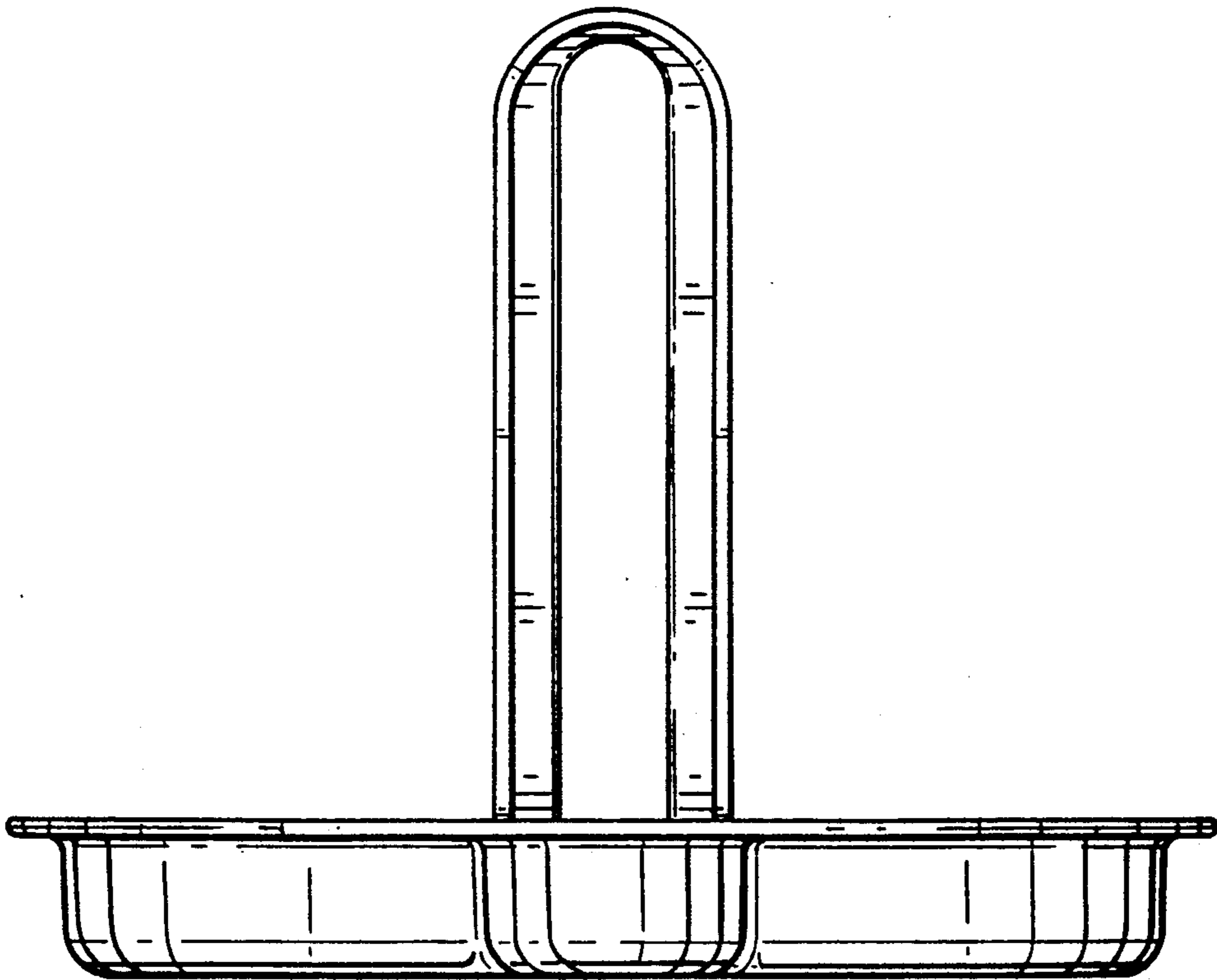


FIG. 4

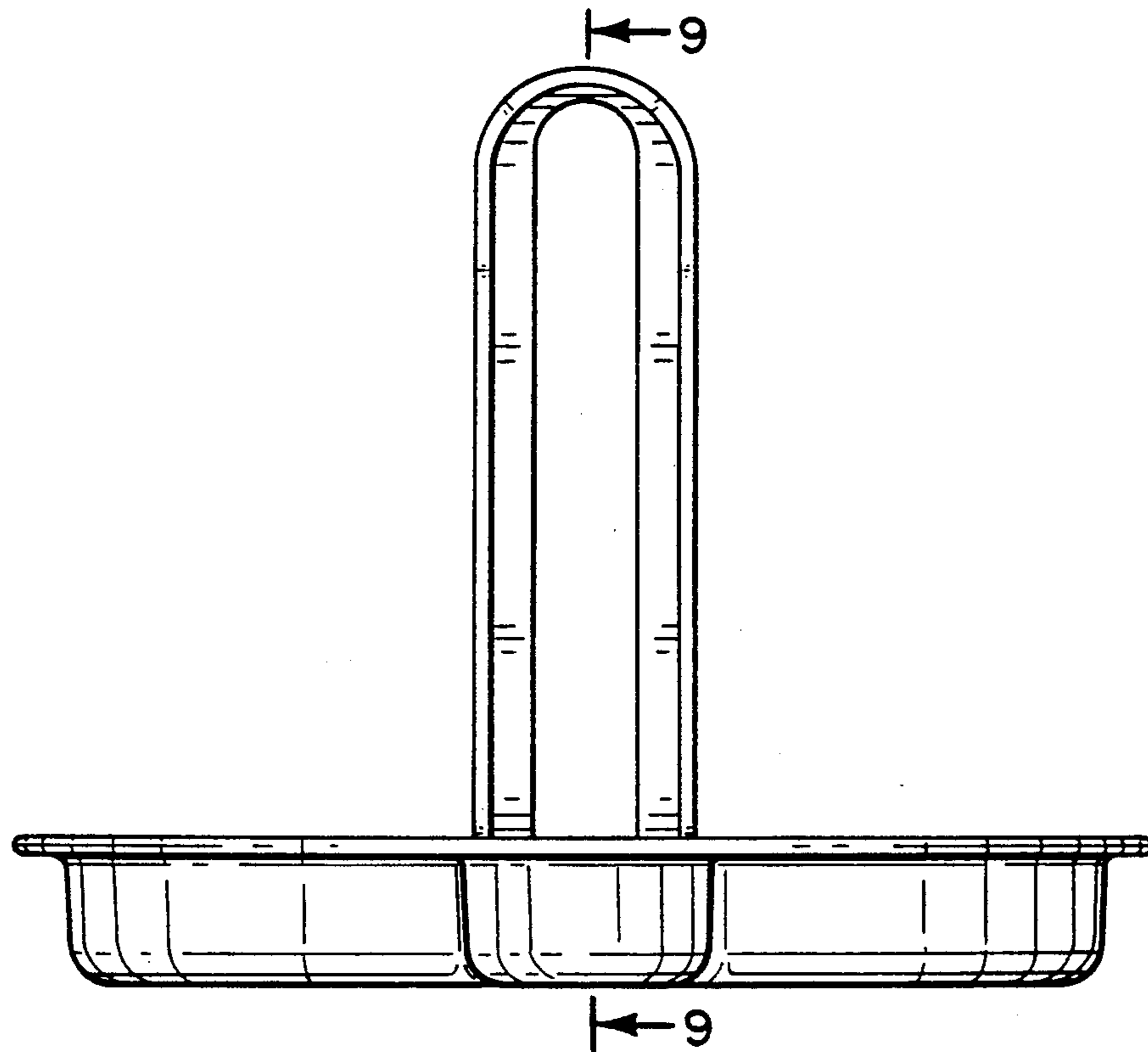


FIG. 5

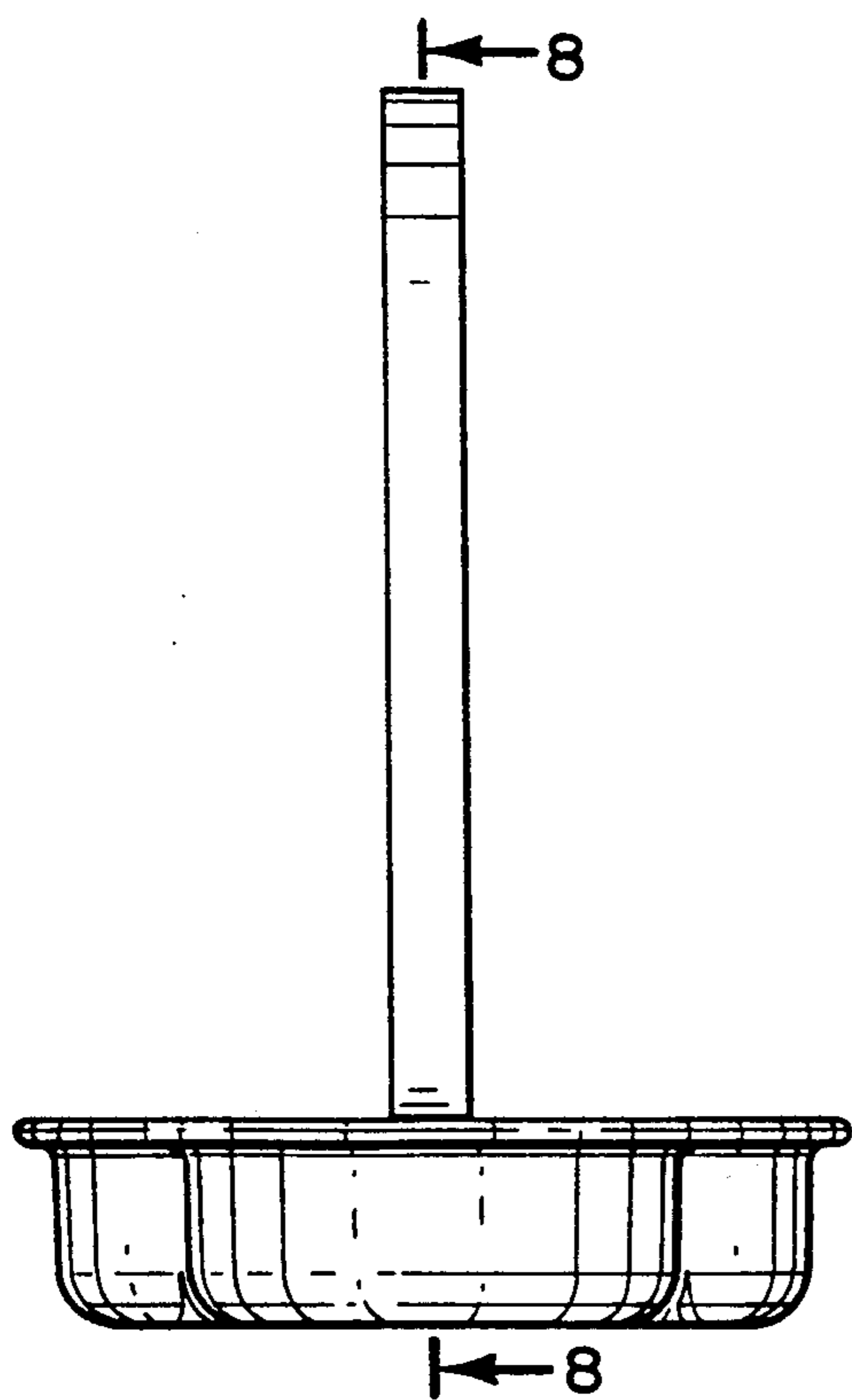


FIG. 6

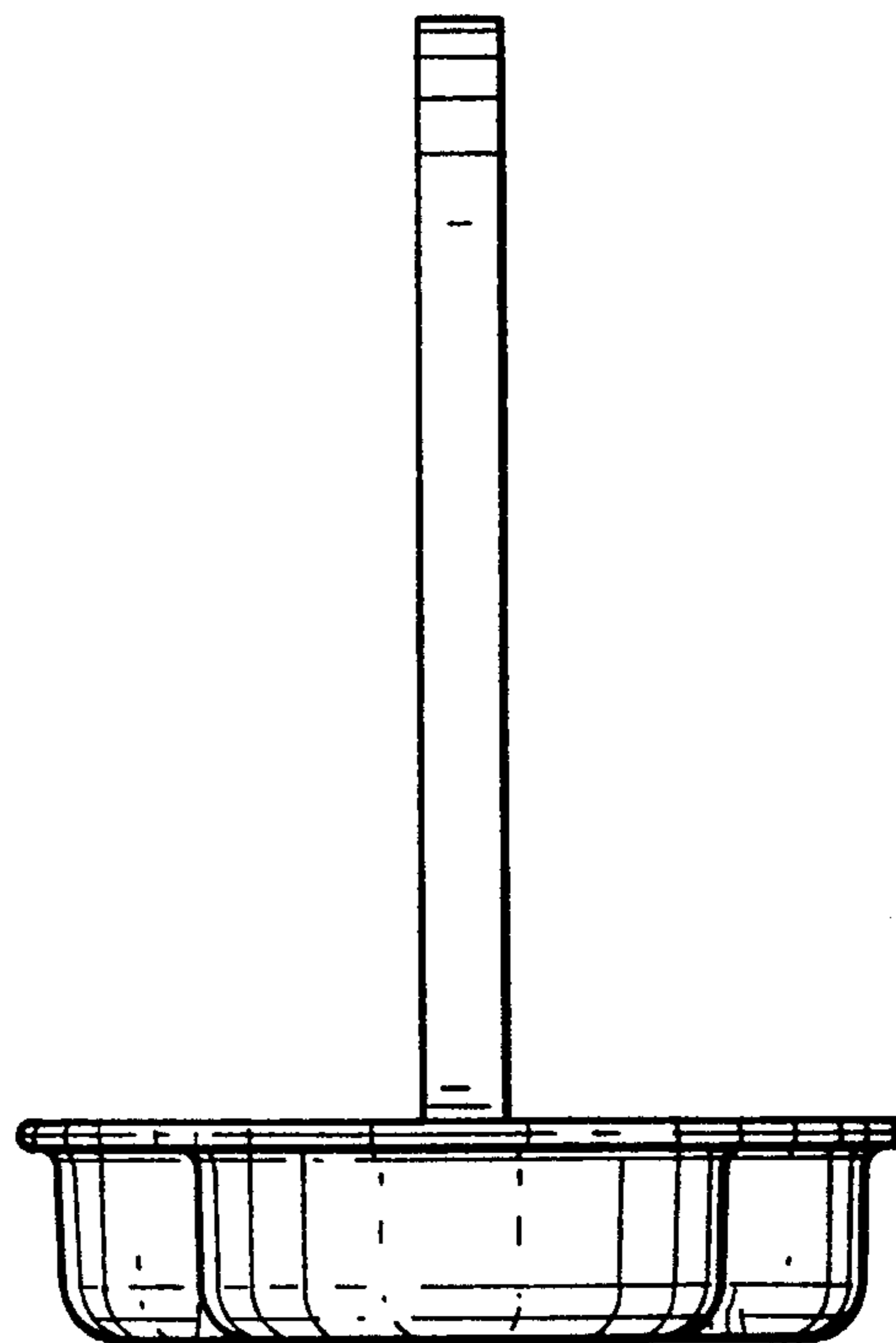


FIG. 7



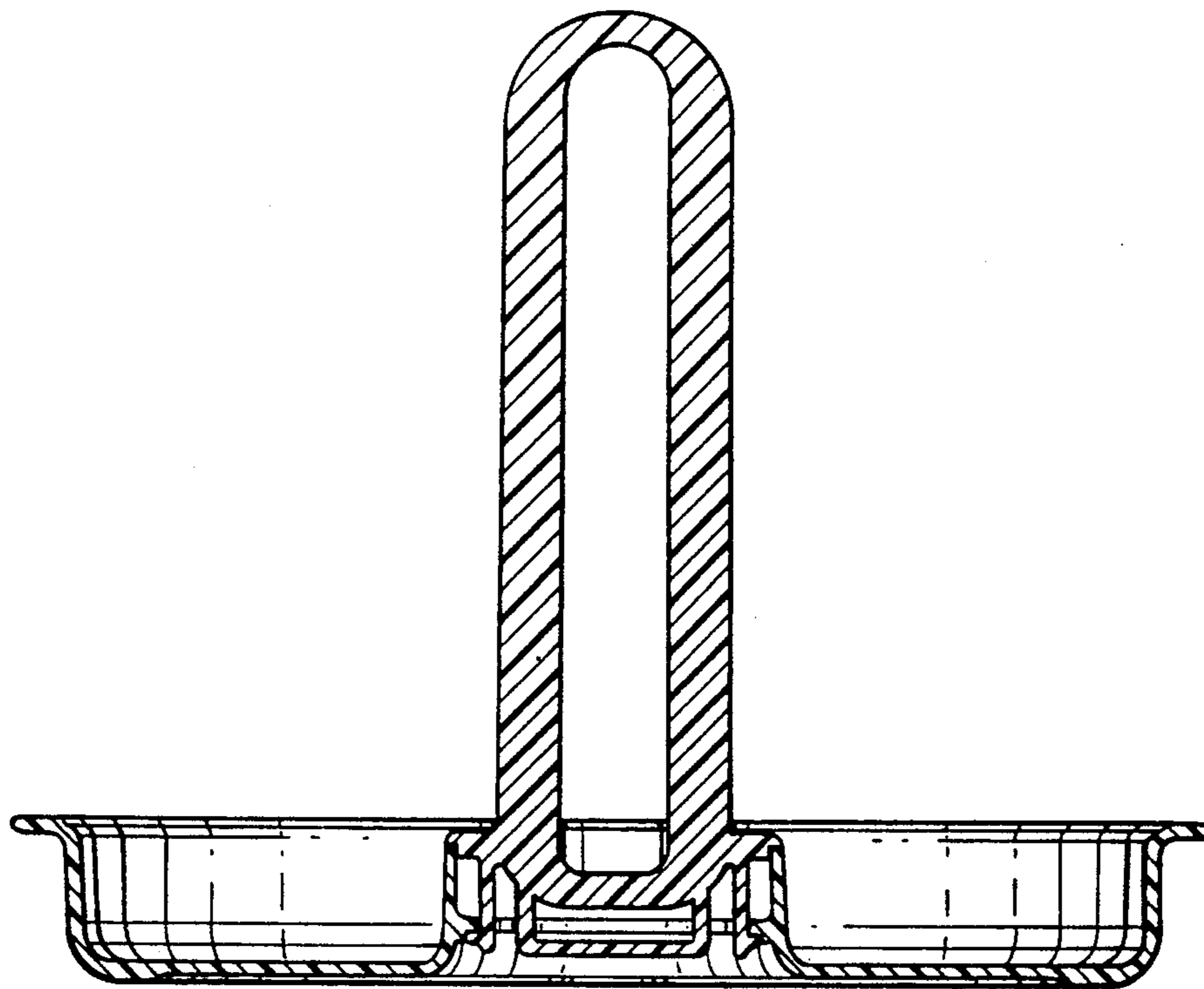


FIG. 8

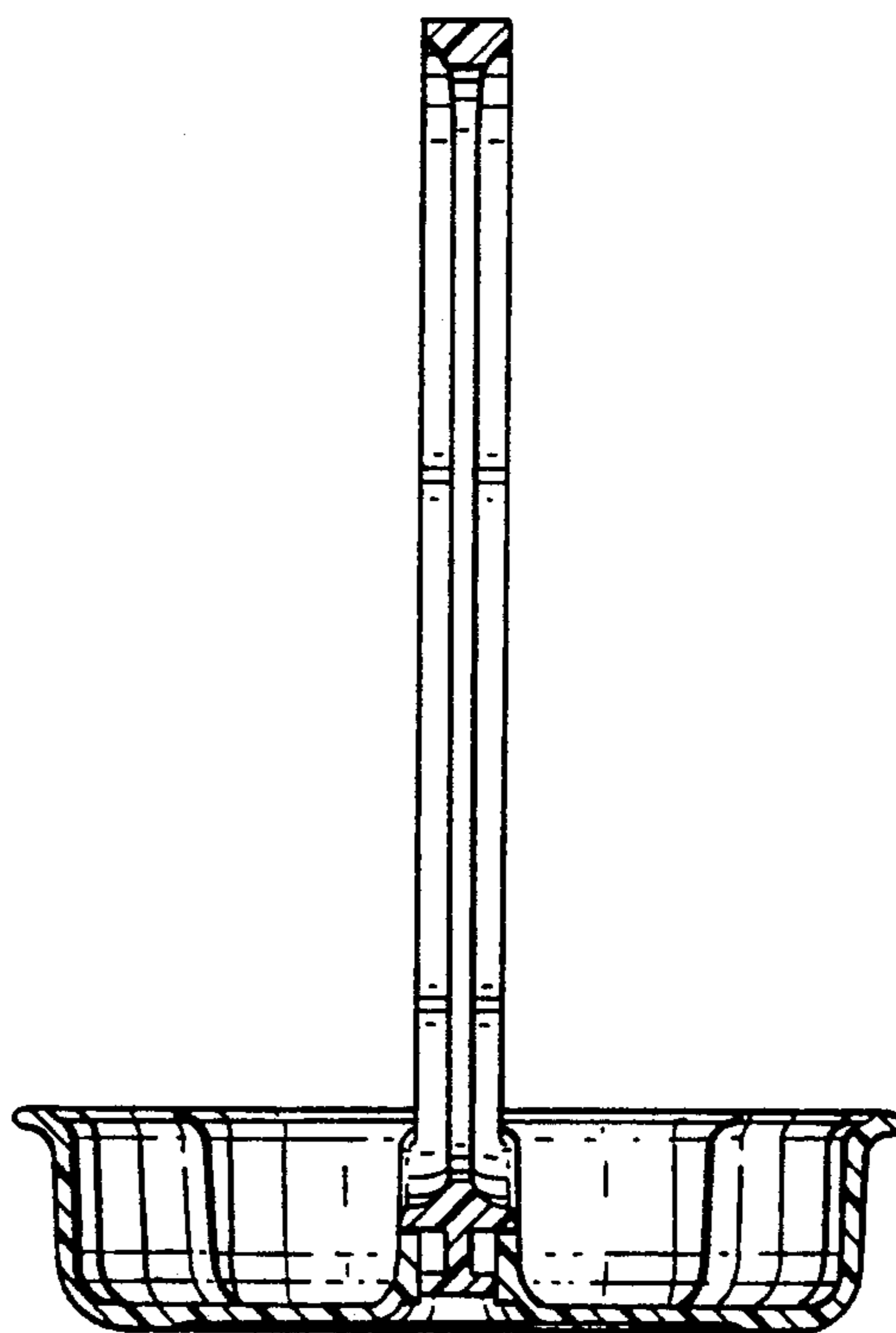


FIG. 9