



US00D330485S

United States Patent [19]

[11] Patent Number: **Des. 330,485**

Daenen et al.

[45] Date of Patent: **** Oct. 27, 1992**

[54] **COMBINED OIL AND VINEGAR CONTAINER**

[75] Inventors: **Robert H. C. M. Daenen, Erembodegem; Jean-Christophe Tilman, Ittre, both of Belgium**

[73] Assignee: **Dart Industries, Inc., Deerfield, Ill.**

[**] Term: **14 Years**

[21] Appl. No.: **537,538**

[22] Filed: **Jun. 13, 1990**

[52] U.S. Cl. **D7/598; D7/596**

[58] Field of Search **D7/590, 596, 598, 612-615; D9/341; 220/339; 222/142.1-142.9**

[56] **References Cited**

U.S. PATENT DOCUMENTS

- D. 321,627 11/1991 Plough D7/596
- D. 323,108 1/1992 Green D9/341
- 4,488,667 12/1984 Swett et al. 222/142.2

OTHER PUBLICATIONS

Tupperware, p. 2, spice shakers (A).

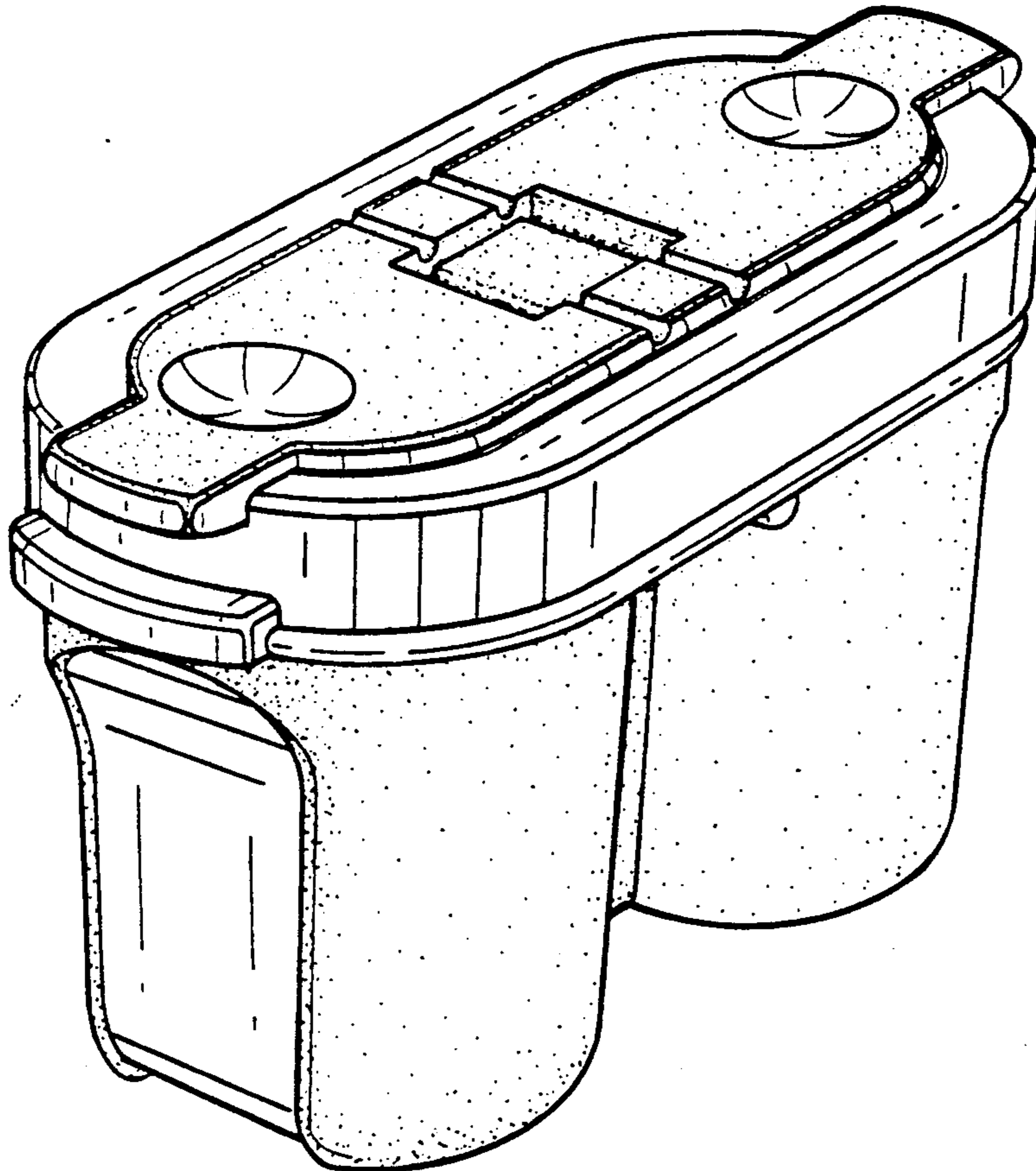
Primary Examiner—Terry A. Pfeffer
Attorney, Agent, or Firm—John A. Doninger

[57] **CLAIM**

The ornamental design for a combined oil and vinegar container, as shown.

DESCRIPTION

FIG. 1 is a top perspective view of the combined oil and vinegar container showing our new design;
 FIG. 2 is a top plan view thereof;
 FIG. 3 is a bottom plan view thereof;
 FIG. 4 is a right side elevational view thereof;
 FIG. 5 is a left side elevational view thereof;
 FIG. 6 is a front side elevational view thereof;
 FIG. 7 is a rear side elevational view thereof;
 FIG. 8 is a cross-sectional view taken along line 8-8 of FIG. 7;
 FIG. 9 is a cross-sectional view taken along line 9-9 of FIG. 5; and,
 FIG. 10 is a top perspective view with one side of the cap in the open position.



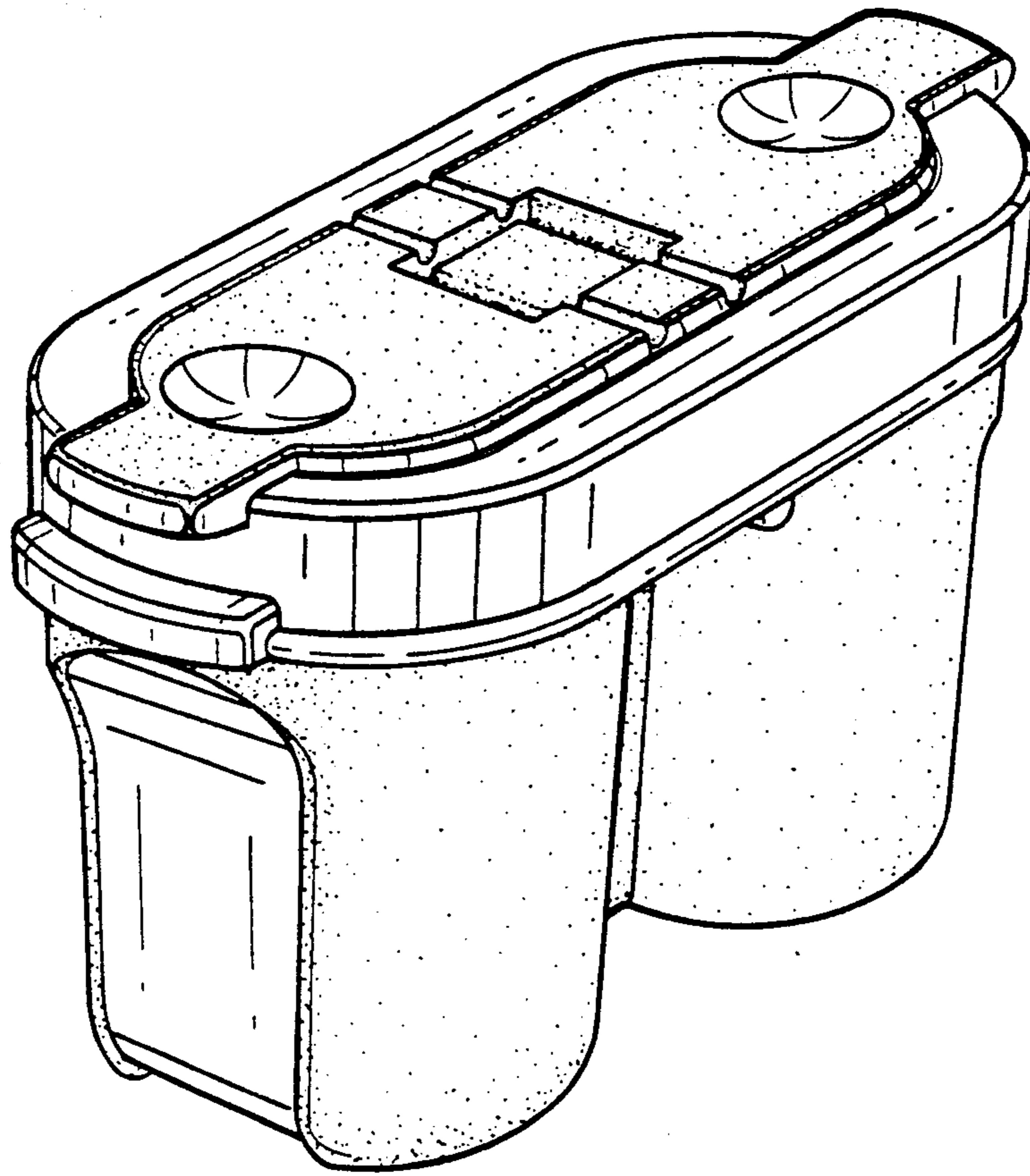


FIG. 1

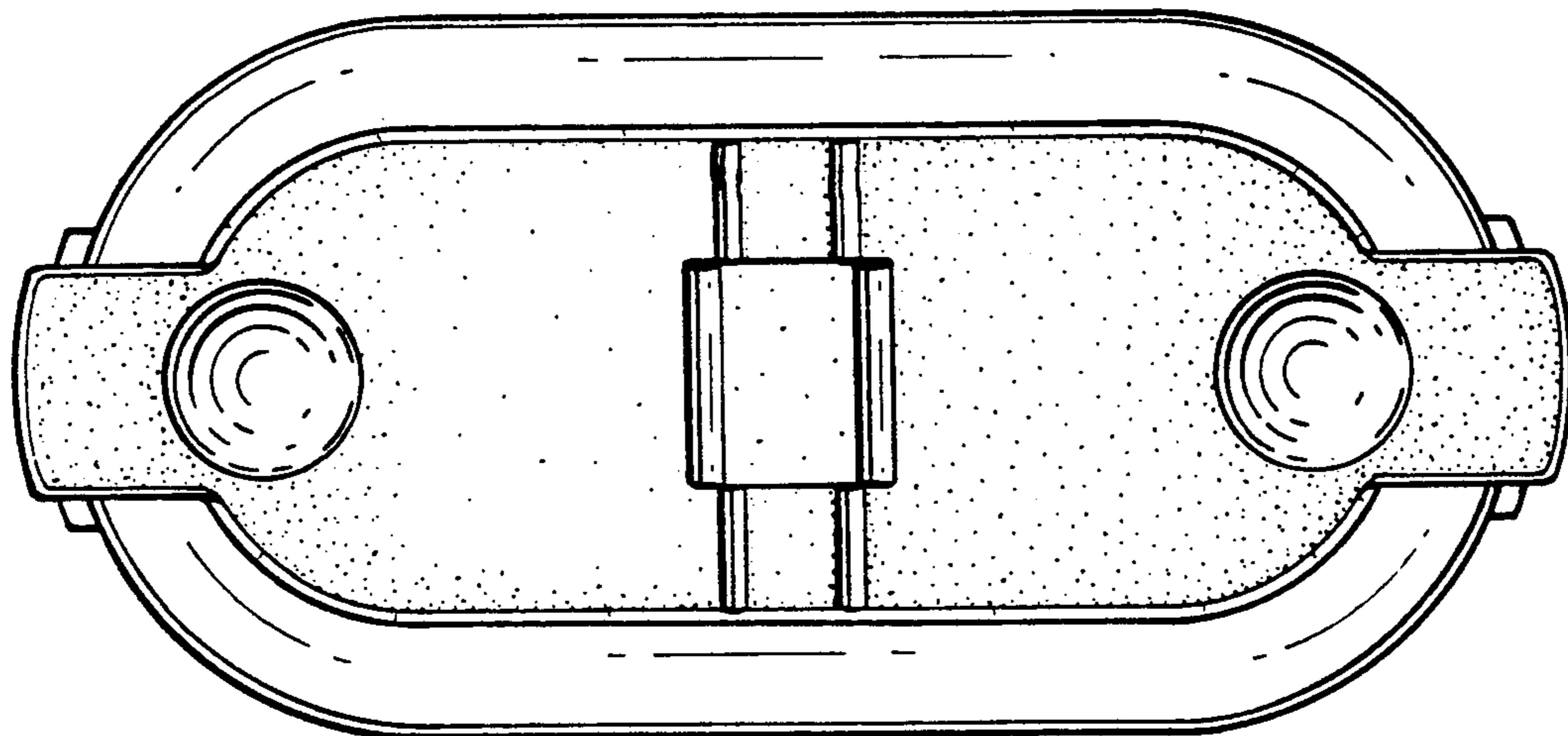


FIG. 2

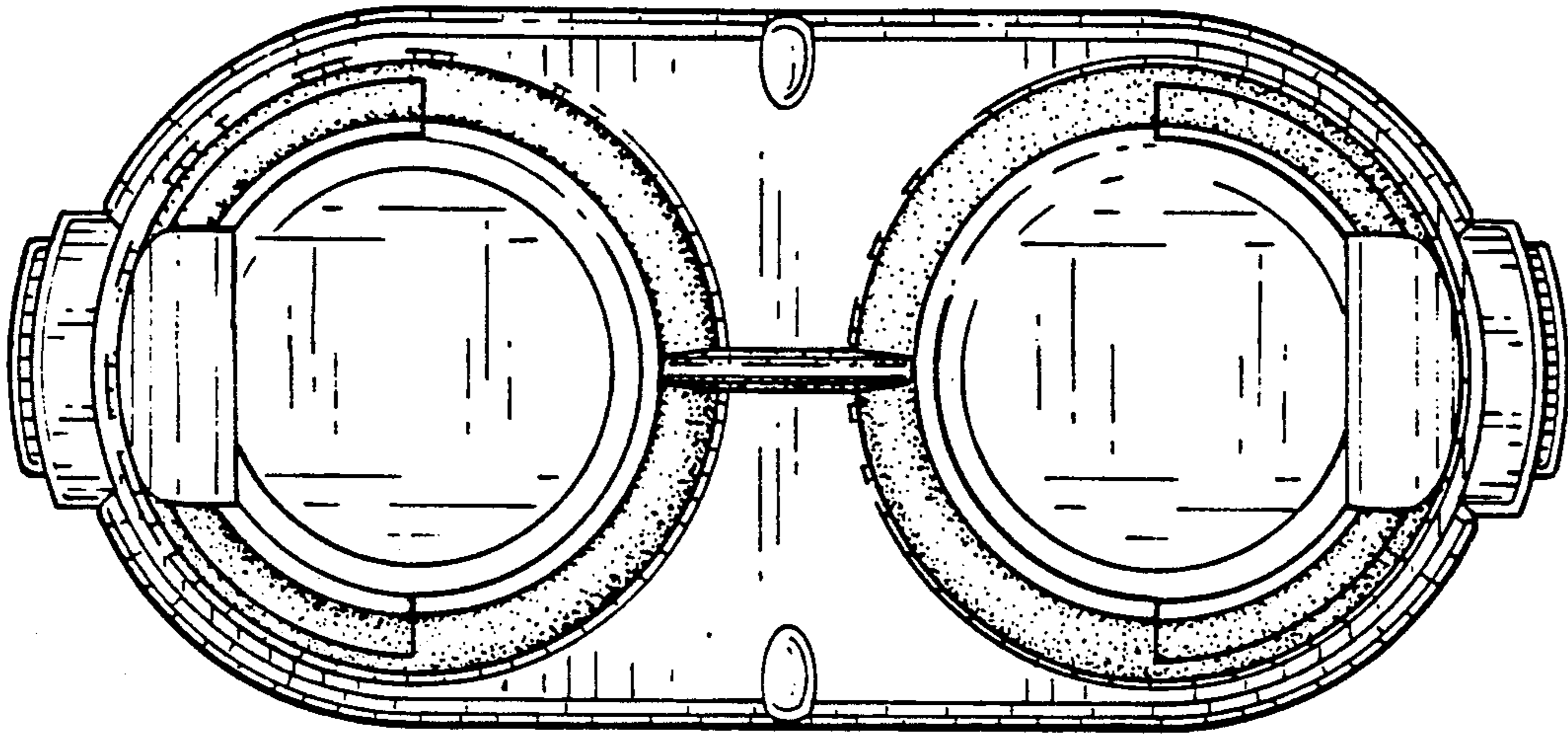


FIG. 3

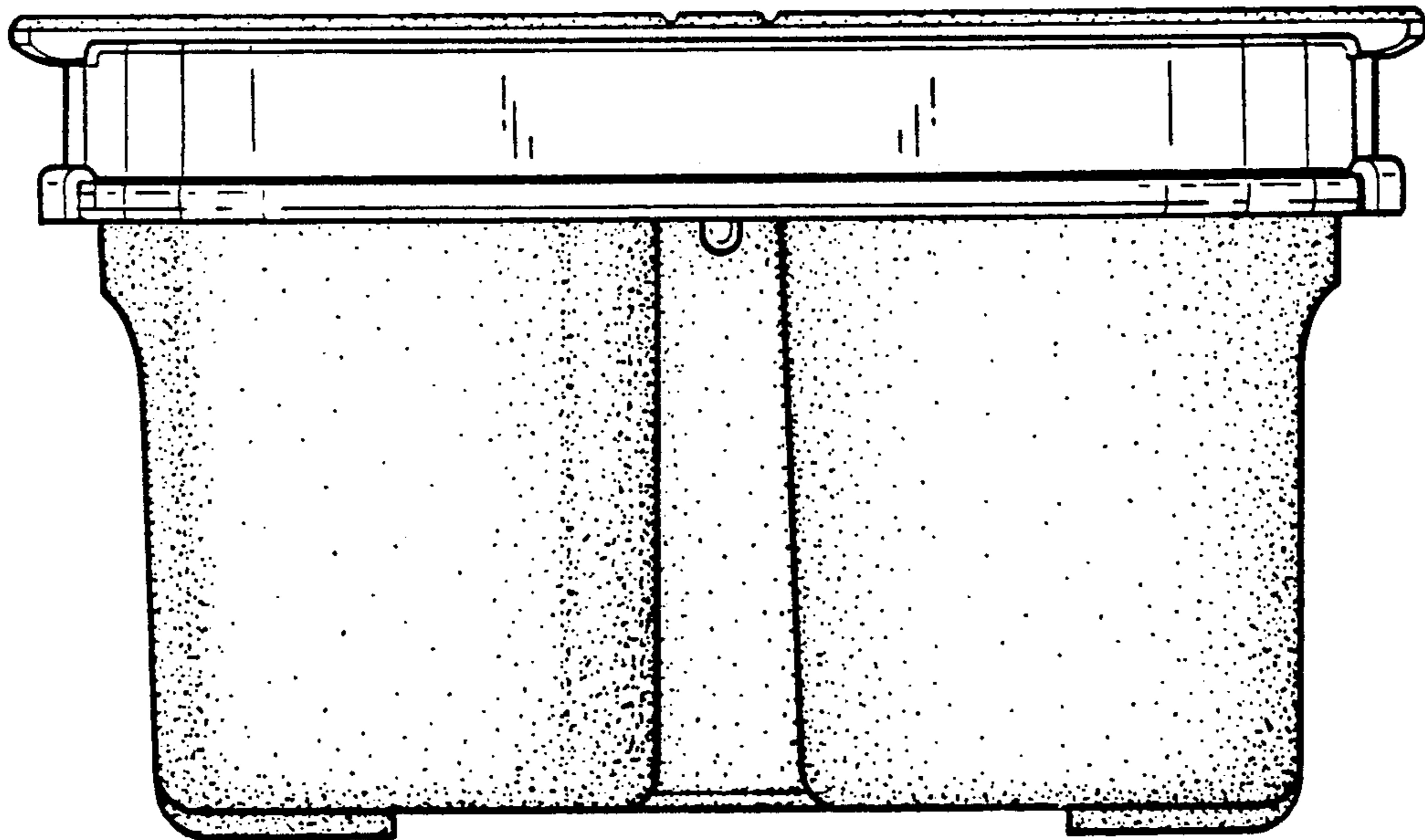


FIG. 4

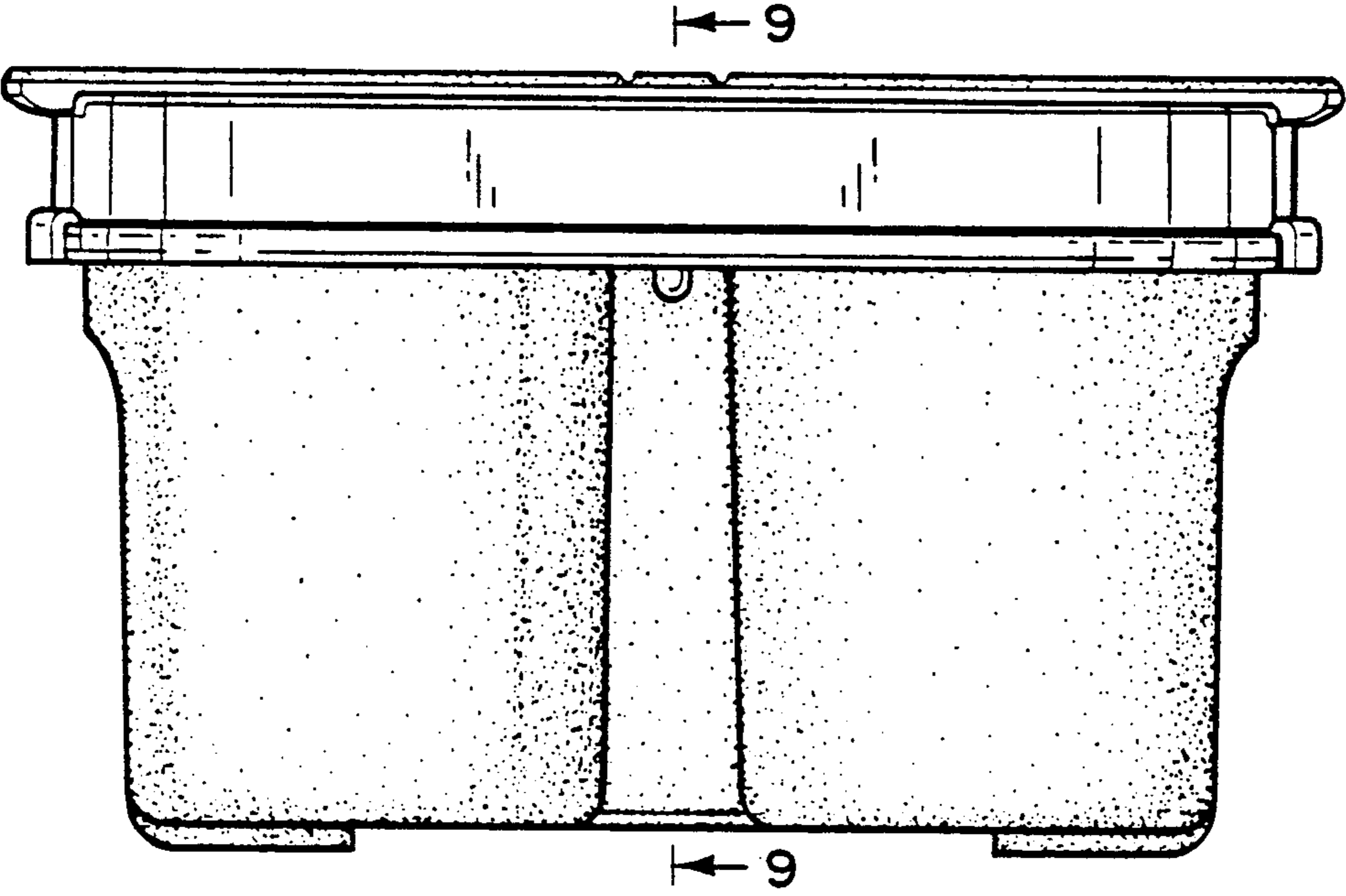


FIG. 5

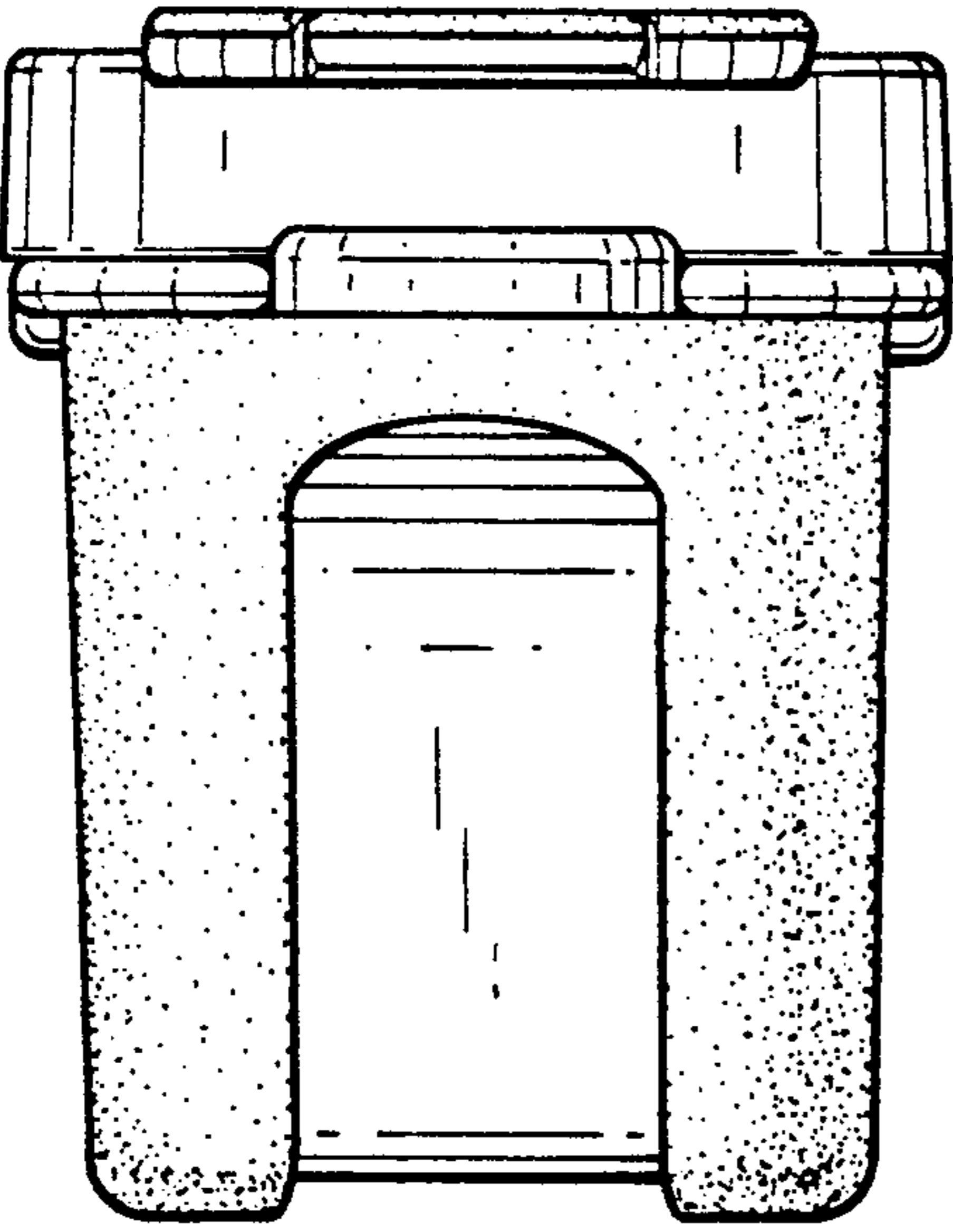


FIG. 6

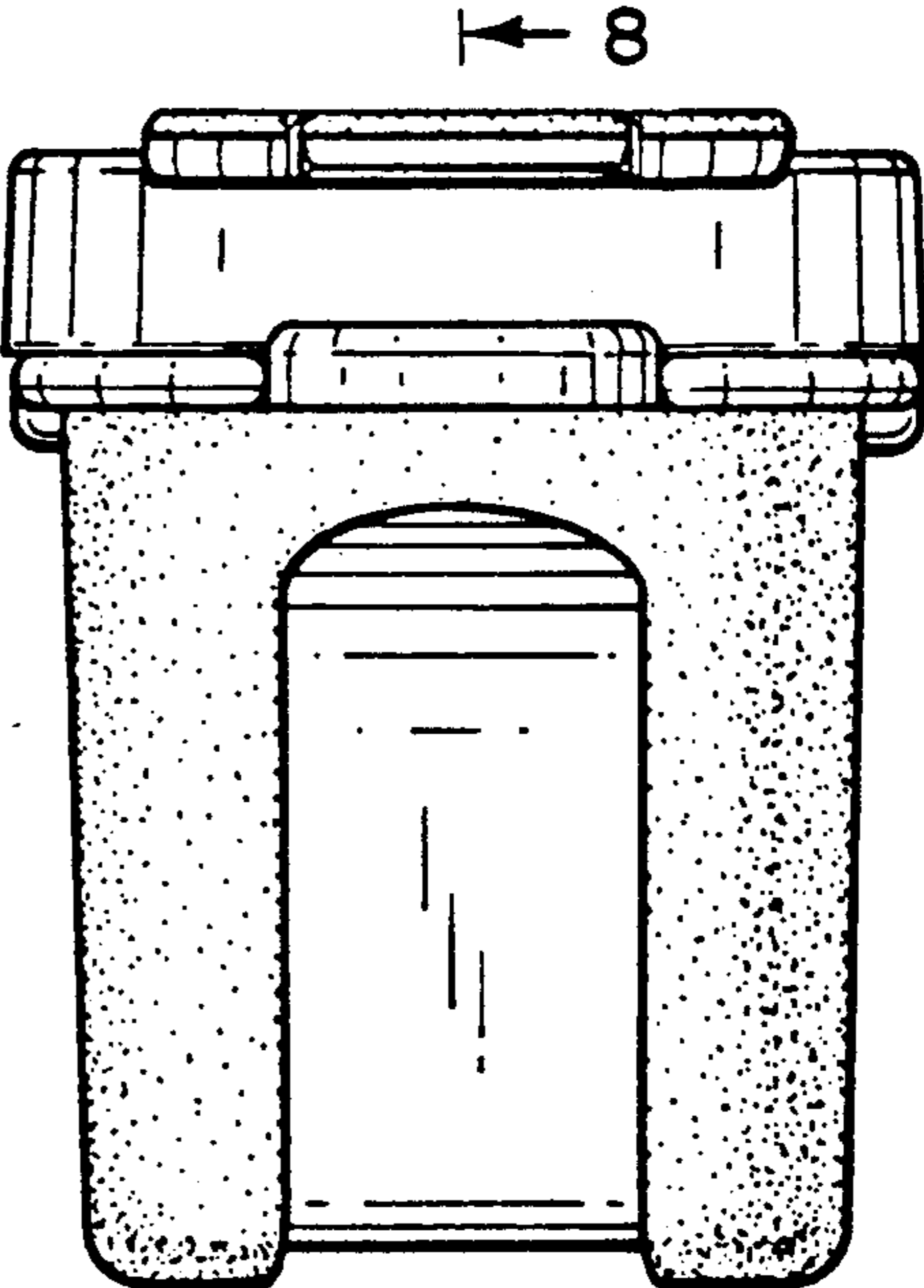


FIG. 7

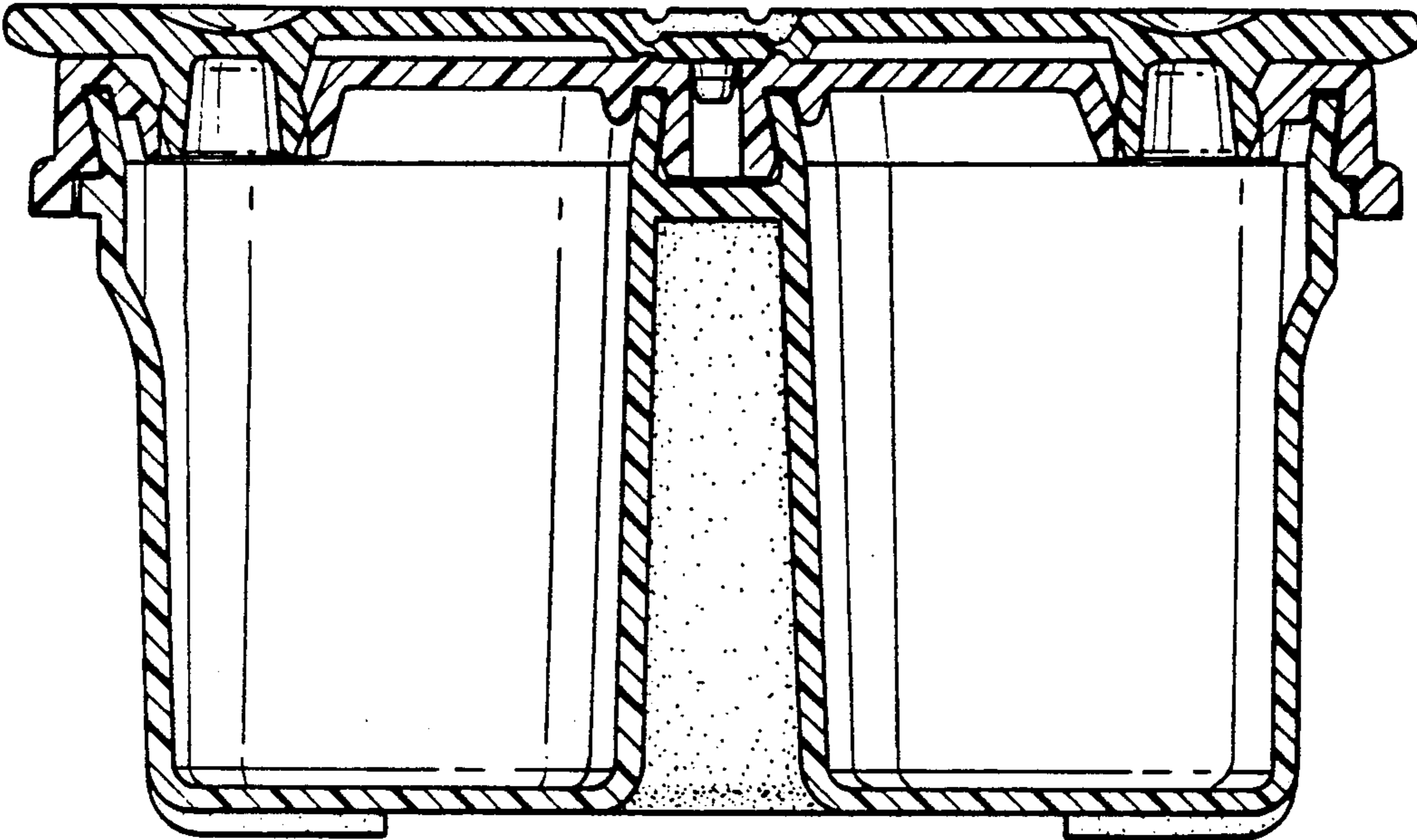


FIG. 8

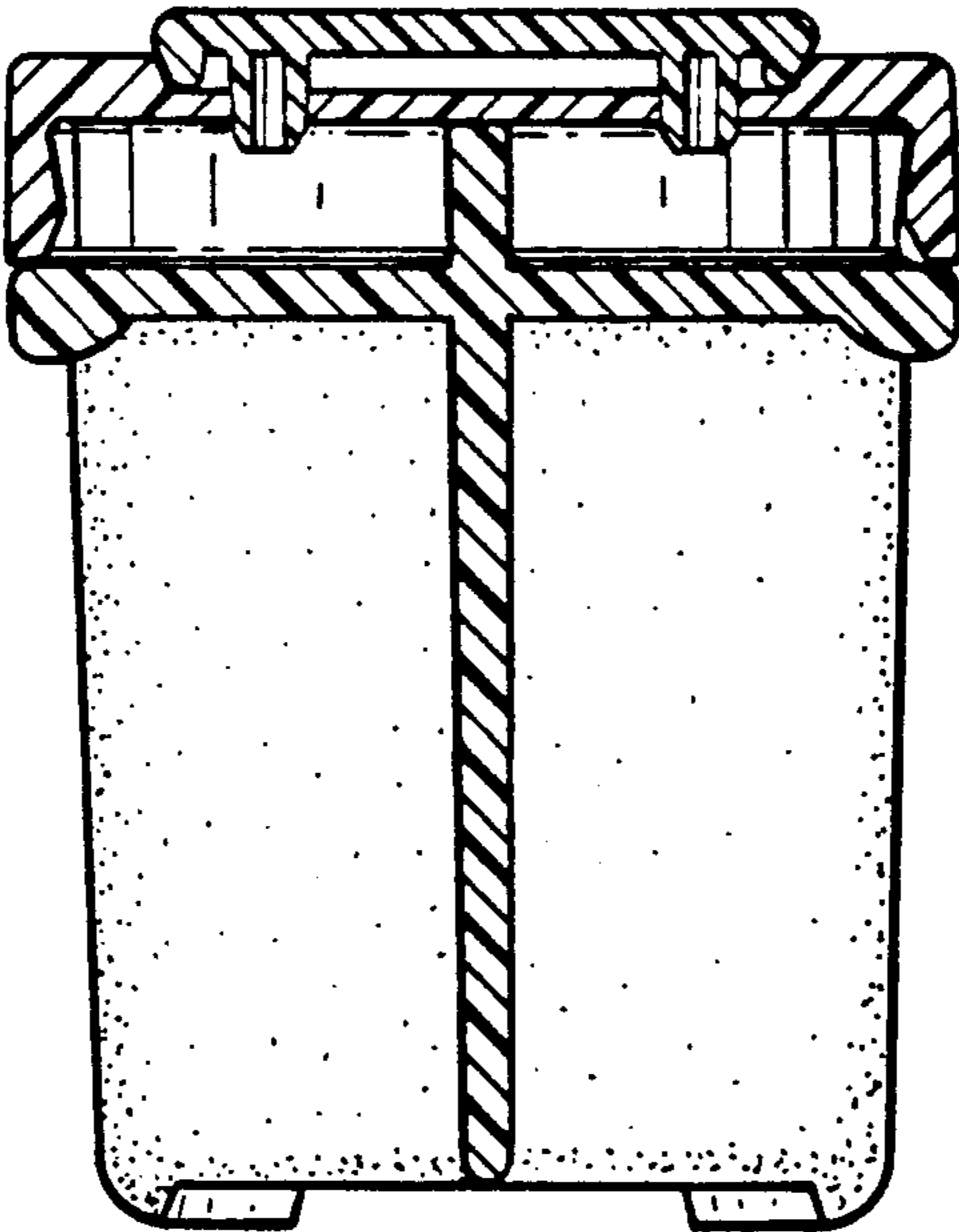


FIG. 9

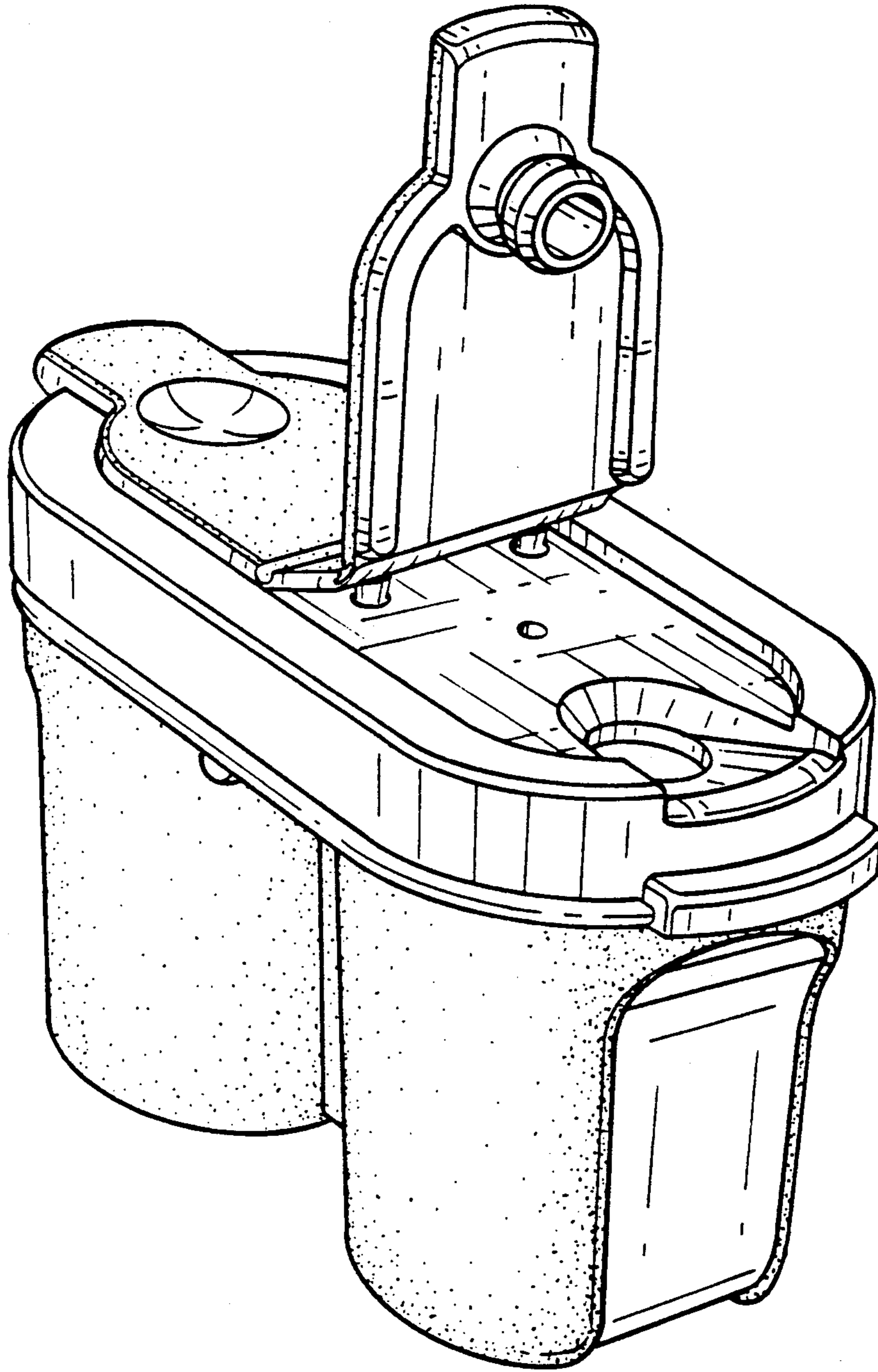


FIG. 10