



US00D330482S

United States Patent [19] Demirjian

[11] Patent Number: **Des. 330,482**

[45] Date of Patent: **** Oct. 27, 1992**

[54] **BARBEQUE GRILL SET**

[76] Inventor: **Andranik Demirjian**, 1301 N. Tamarind St., Hollywood, Calif. 90028

[**] Term: **14 Years**

[21] Appl. No.: **361,097**

[22] Filed: **Jun. 5, 1989**

[52] U.S. Cl. **D7/337**

[58] Field of Search **D7/331-332, D7/335, 337-339; 126/25 R, 25 A, 25 AA, 25 B, 29-30, 27, 9 R, 38, 41 R**

[56] **References Cited**

U.S. PATENT DOCUMENTS

D. 191,291	9/1961	Miller	D7/332
D. 227,850	7/1973	Benson	D7/337
D. 229,448	11/1973	Traclet	D7/337
D. 231,183	4/1974	Avant et al.	D7/337
D. 276,303	11/1984	Chan	D7/337

OTHER PUBLICATIONS

Handsome Rewards Cat., "Foldaway Grill".

Primary Examiner—A. Hugo Word

Assistant Examiner—Ruth McInroy

Attorney, Agent, or Firm—Frank L. Zugelter

[57] **CLAIM**

The ornamental design for a barbeque grill set, as shown and described.

DESCRIPTION

FIG. 1 is a top and left side perspective view of a barbeque grill set showing my new design;

FIG. 2 is a bottom and right side perspective view thereof;

FIG. 3 is a top, front and left side perspective view thereof in an open condition;

FIG. 4 is an exploded top, front and right side perspective view thereof in an open condition; and,

FIG. 5 is a sectional view taken along lines 5—5 in FIG. 4, the hotdog and coals shown in broken lines are for illustrative purposes only and form no part of the claimed design.

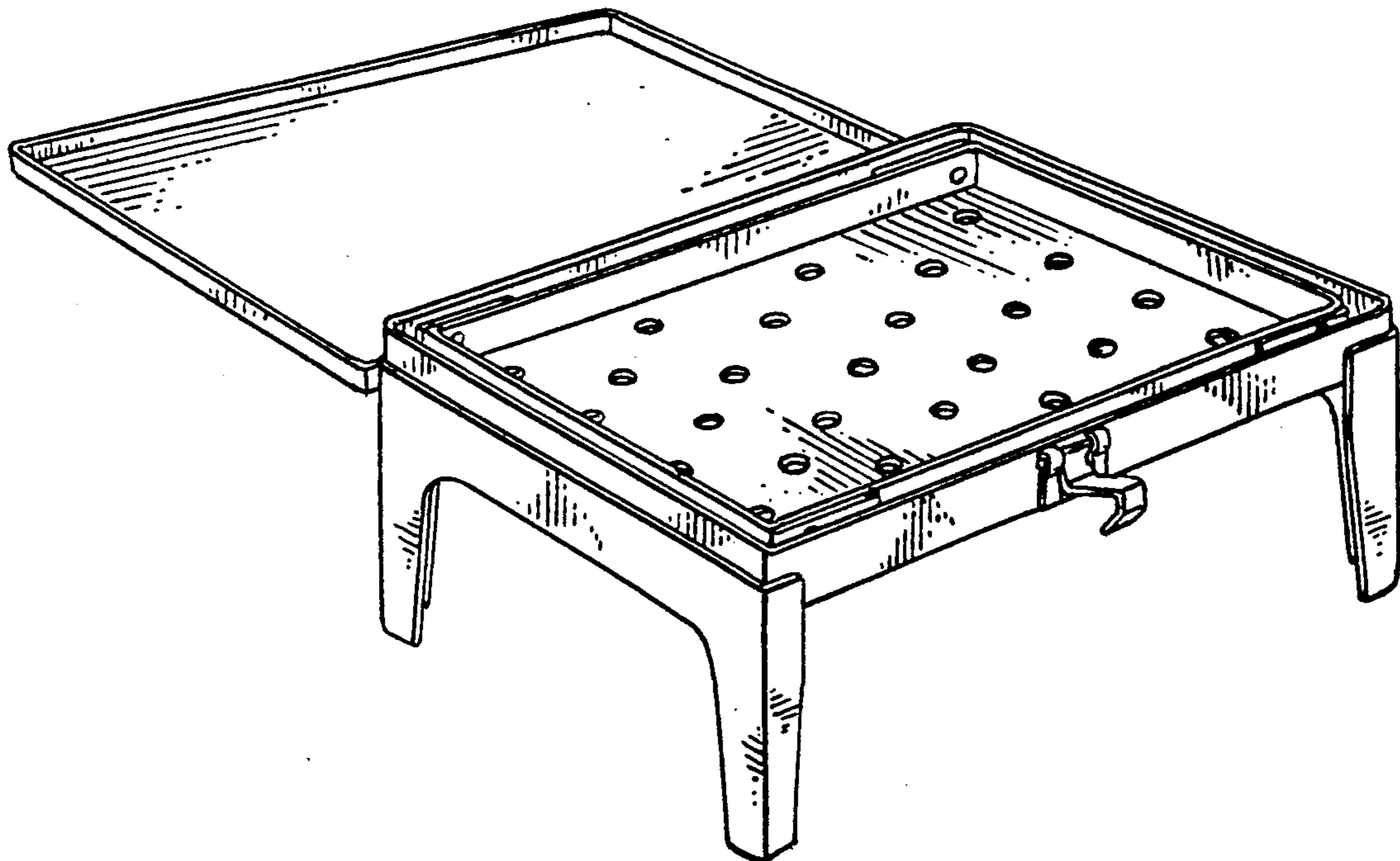


FIG. 1.

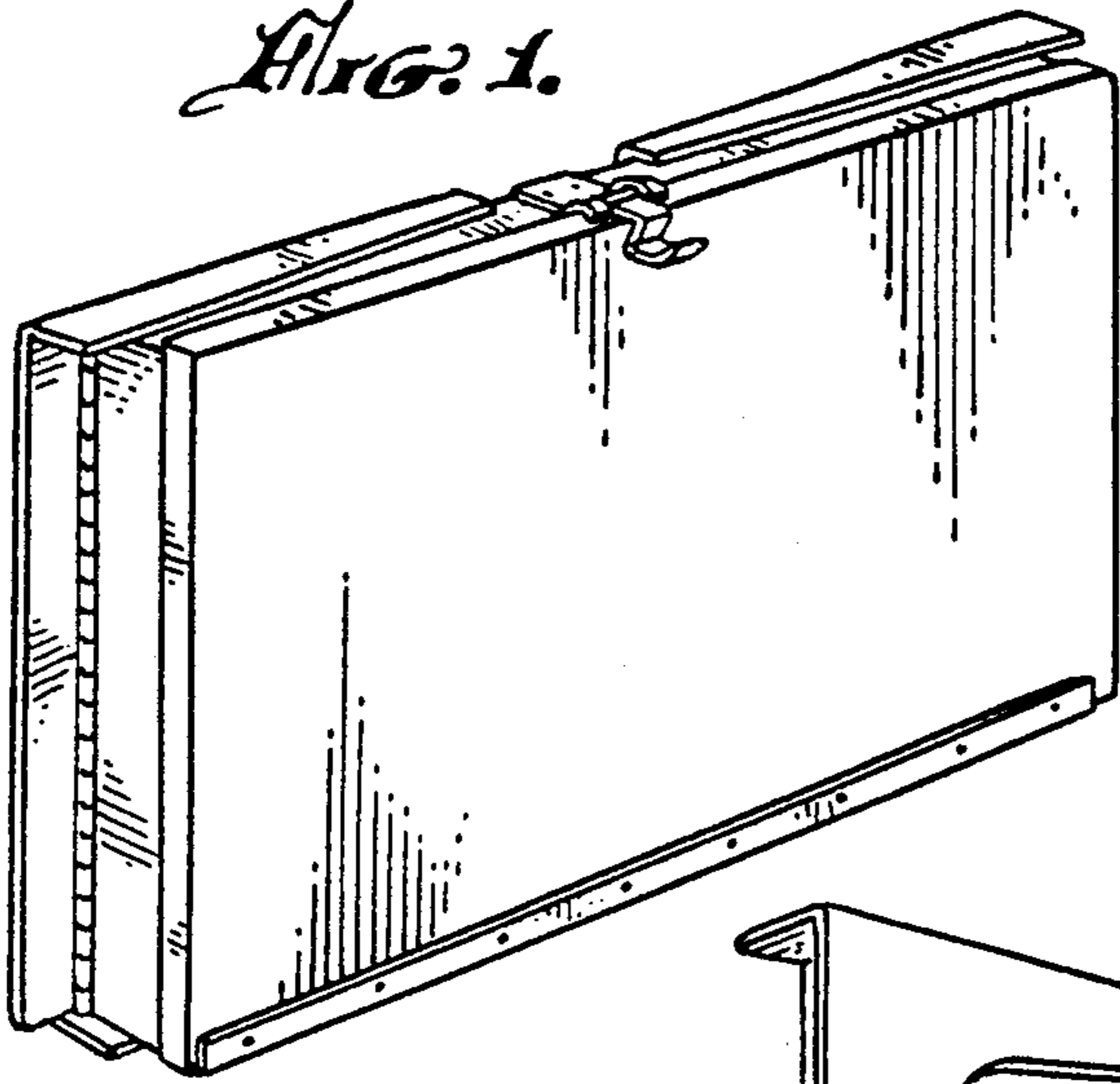


FIG. 2.

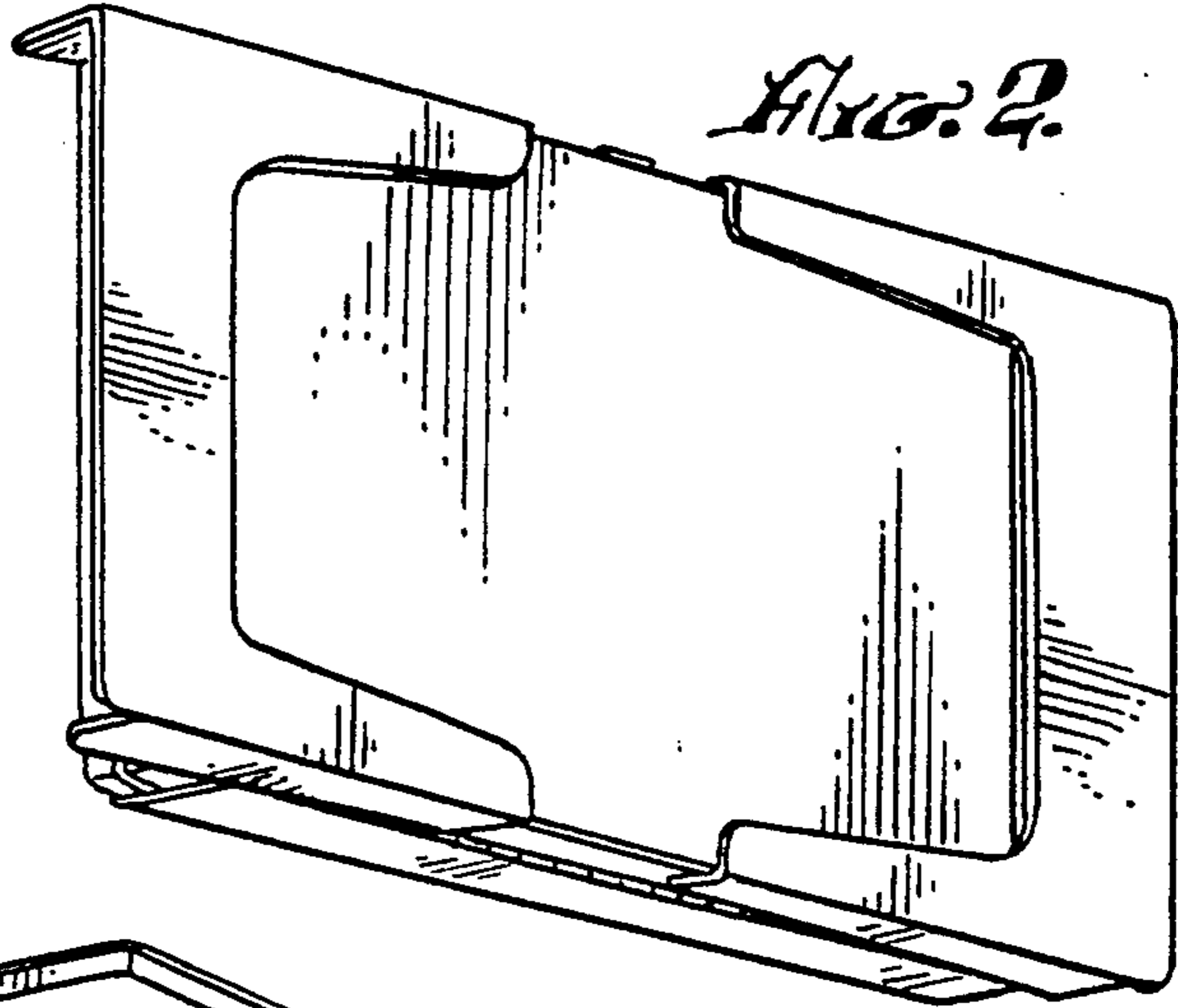


FIG. 3.

