



US00D330479S

# United States Patent [19]

[11] Patent Number: **Des. 330,479**

Stevens

[45] Date of Patent: **\*\* Oct. 27, 1992**

[54] **TISSUE DISPENSER**

2,626,119 1/1953 Crosby ..... D6/518 X  
2,678,184 5/1954 Erdody ..... D6/518 X

[76] Inventor: **Gary S. Stevens**, 2150 Saint Michele Pl., San Jacinto, Calif. 92383

*Primary Examiner*—Brian N. Vinson  
*Attorney, Agent, or Firm*—Harvey S. Hertz

[\*\*] Term: **14 Years**

[57] **CLAIM**

[21] Appl. No.: **588,417**

The ornamental design for a tissue dispenser, as shown and described.

[22] Filed: **Sep. 27, 1990**

### Related U.S. Application Data

[63] Continuation-in-part of Ser. No. 428,513, Oct. 30, 1989, abandoned.

[52] U.S. Cl. .... **D6/518**

[58] Field of Search ..... D6/515, 518, 522;  
D8/354, 373, 380; 248/176, 200, 300, 309.1,  
311.2, 312.1, 905

### DESCRIPTION

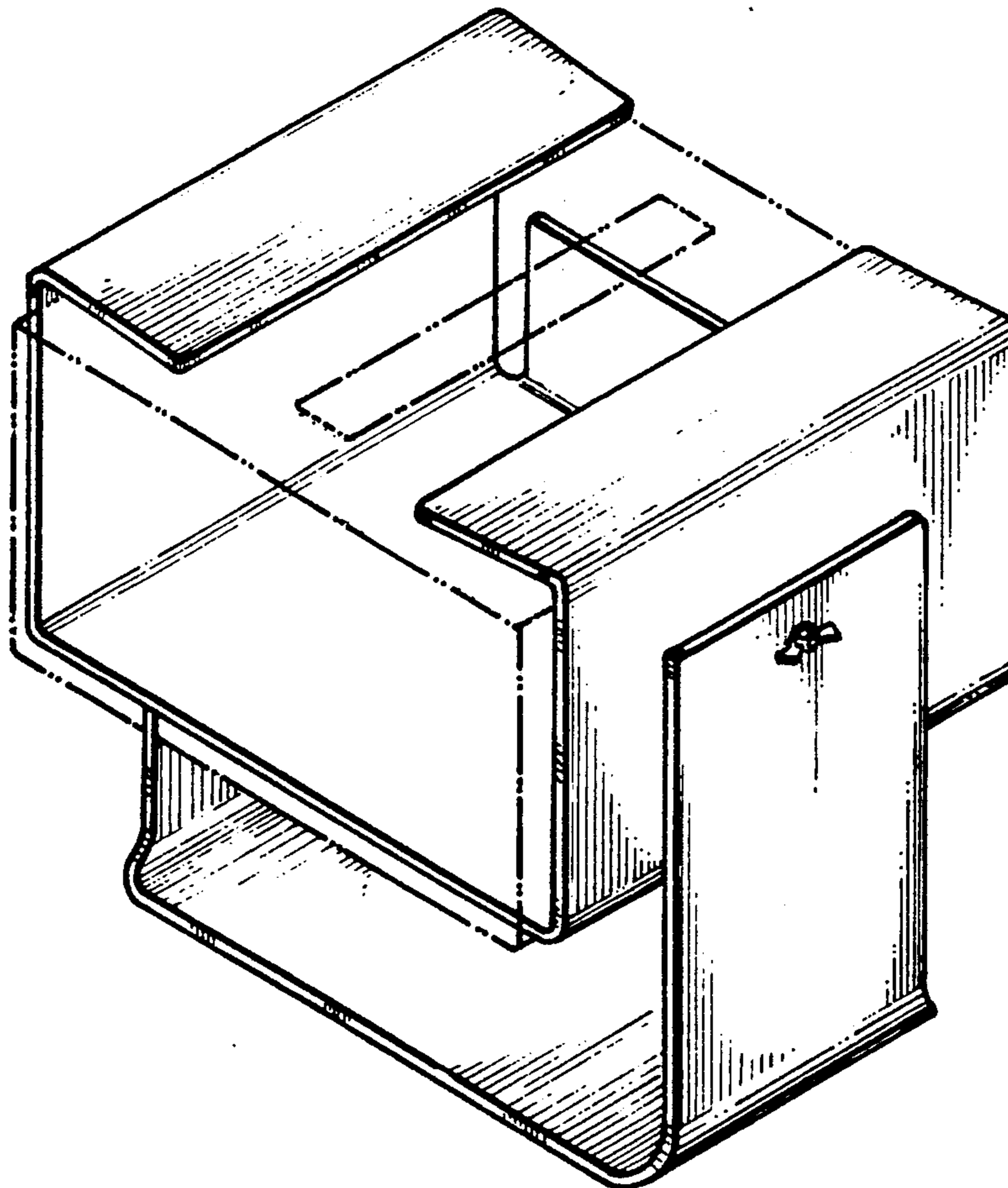
FIG. 1 is a top, front, and right side perspective view of a tissue dispenser showing my new design, the broken-line disclosure of a tissue box being for illustrative purposes only and forming no part of the claimed design; FIG. 2 is a top, rear, and left side perspective view thereof, with part of the housing shown rotated to a vertical position;

### References Cited

#### U.S. PATENT DOCUMENTS

2,263,956 11/1941 Russell ..... 248/311.2  
2,278,011 3/1942 Murdock ..... 248/300 X  
2,490,426 12/1949 Gerdeman ..... 248/300 X

FIG. 3 is an enlarged front elevational view thereof; FIG. 4 is an enlarged rear elevational view thereof; FIG. 5 is an enlarged right side elevational view thereof, the left side being a mirror image of that shown; FIG. 6 is an enlarged top plan view thereof; and, FIG. 7 is an enlarged bottom plan view thereof.



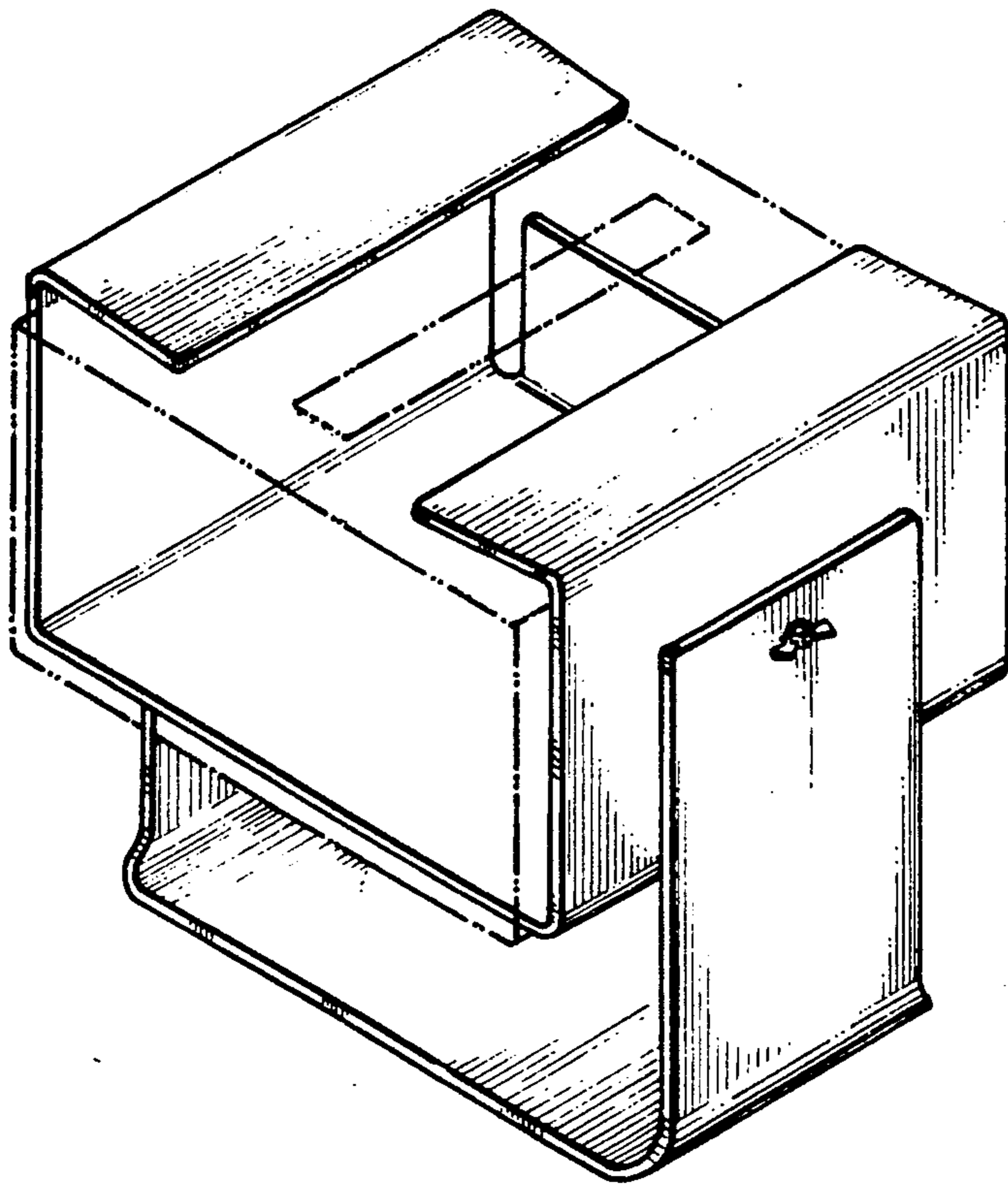


FIG. 1

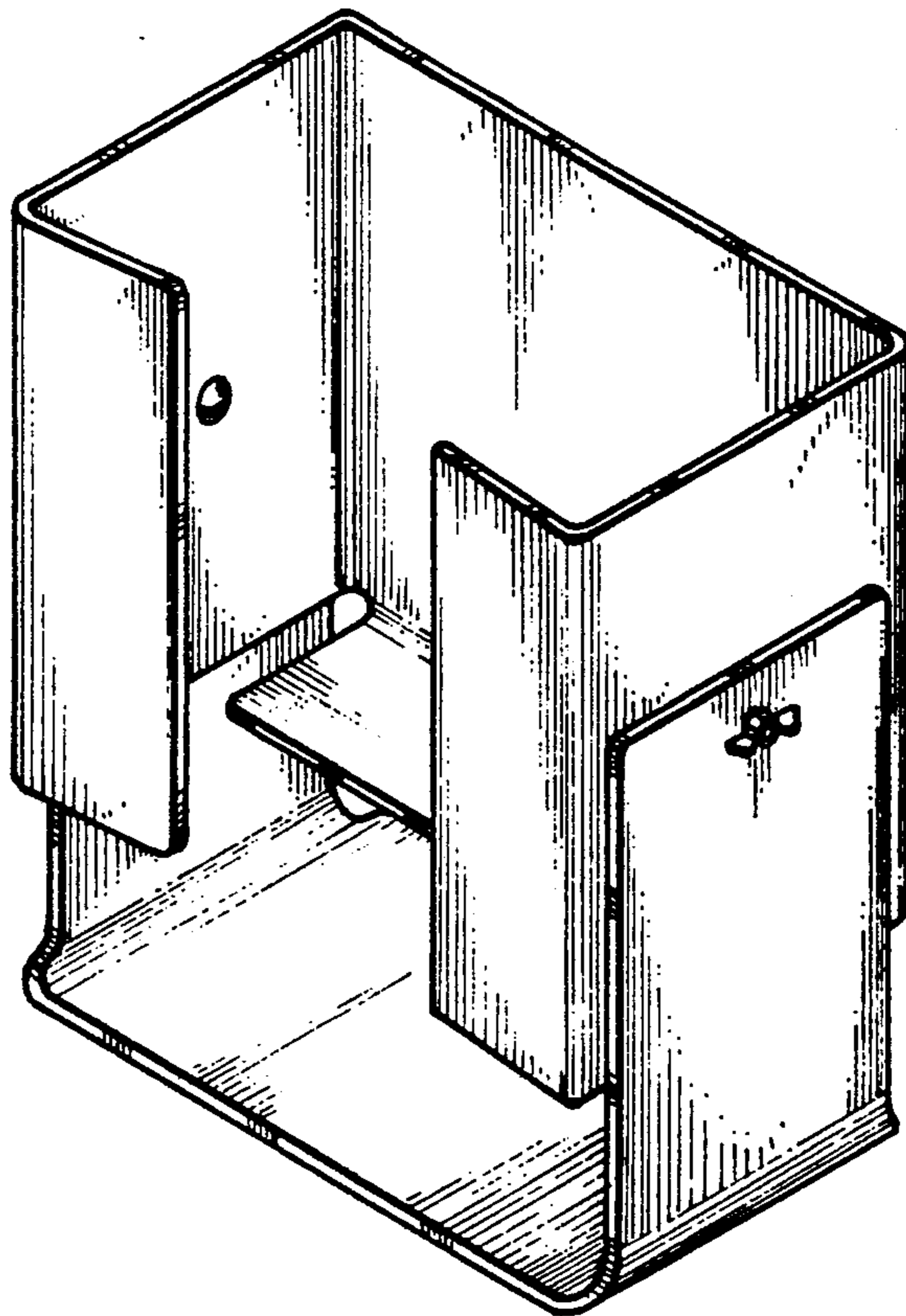


FIG. 2

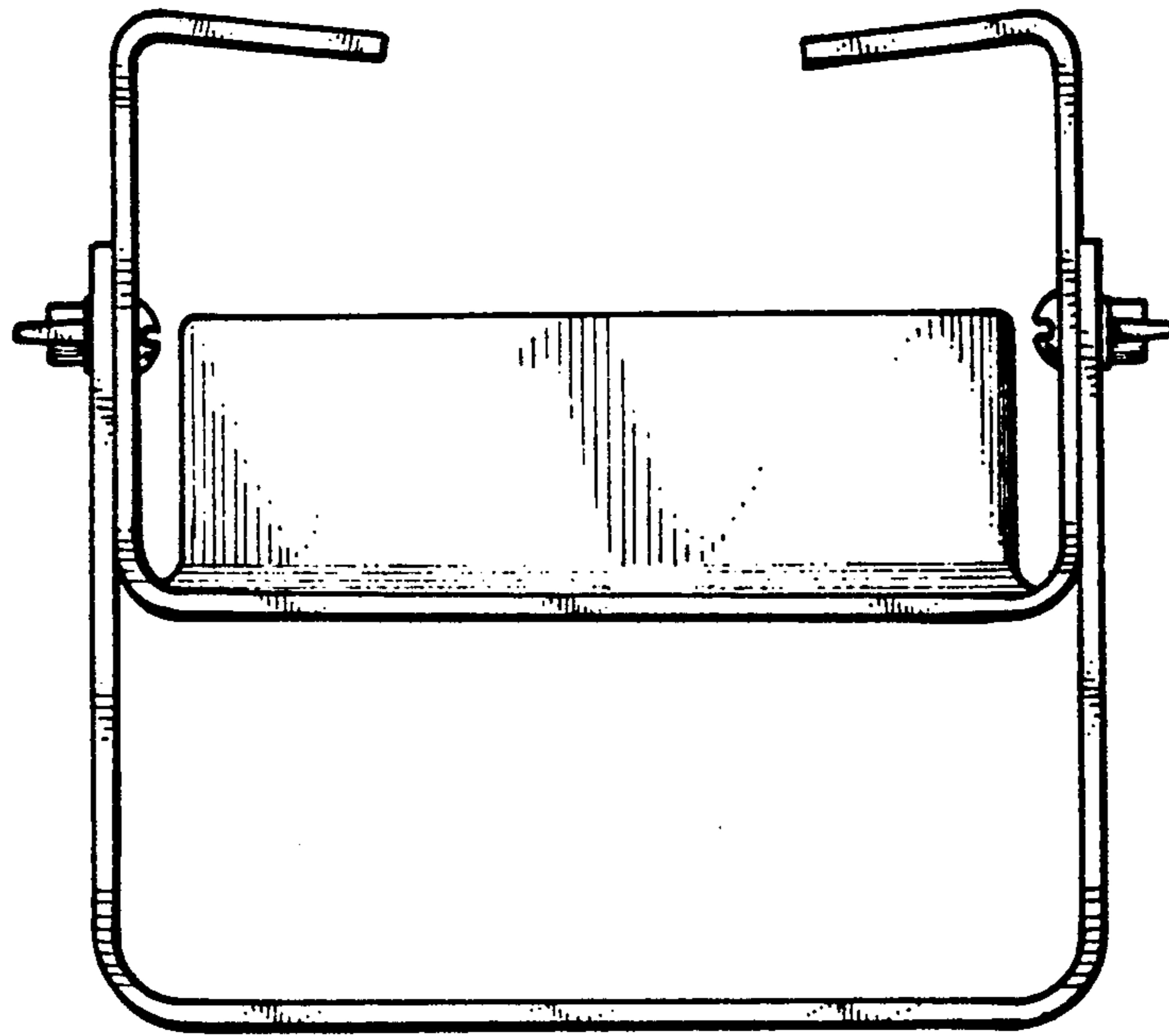


FIG. 3

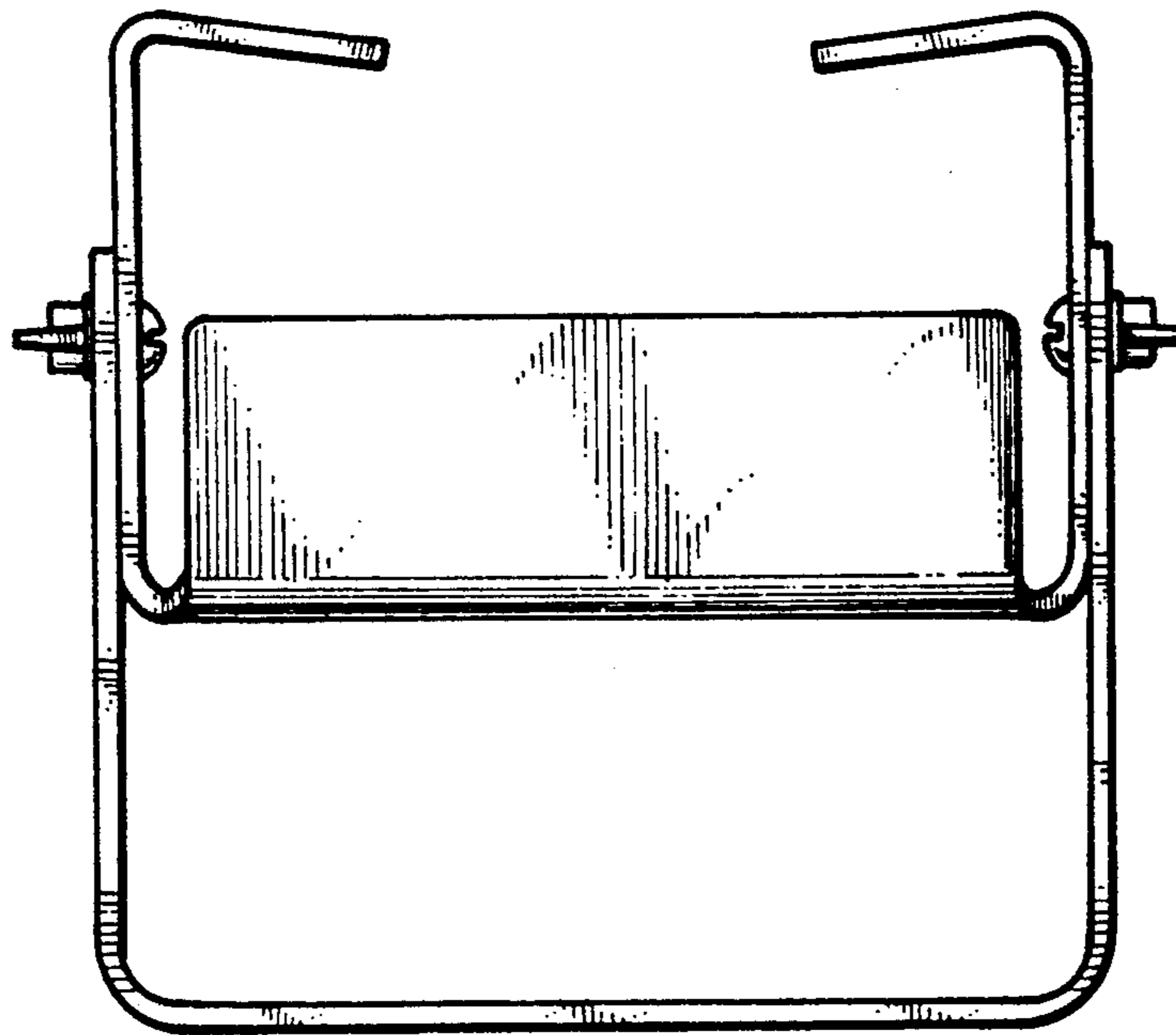


FIG. 4

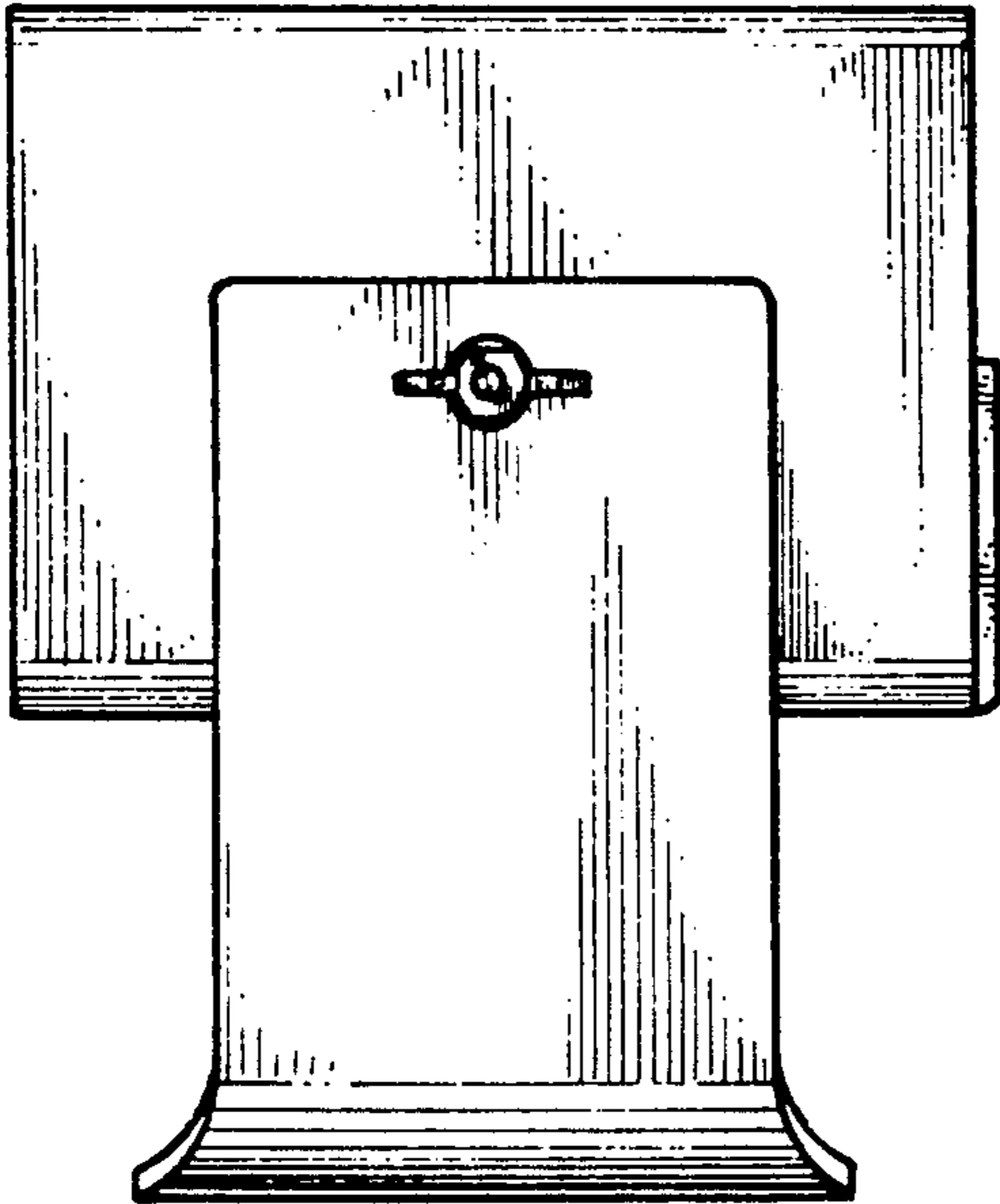


FIG. 5

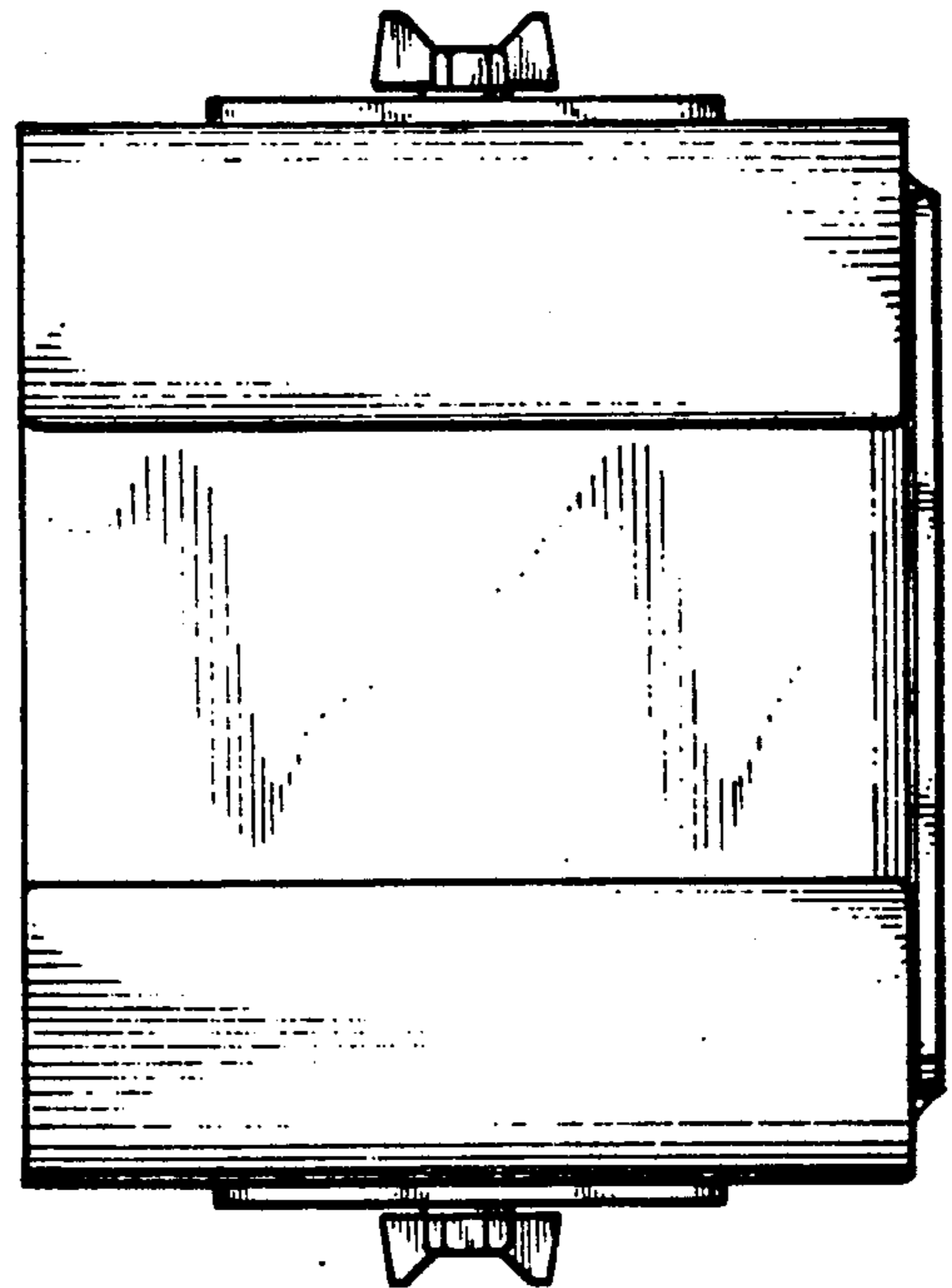


FIG. 6

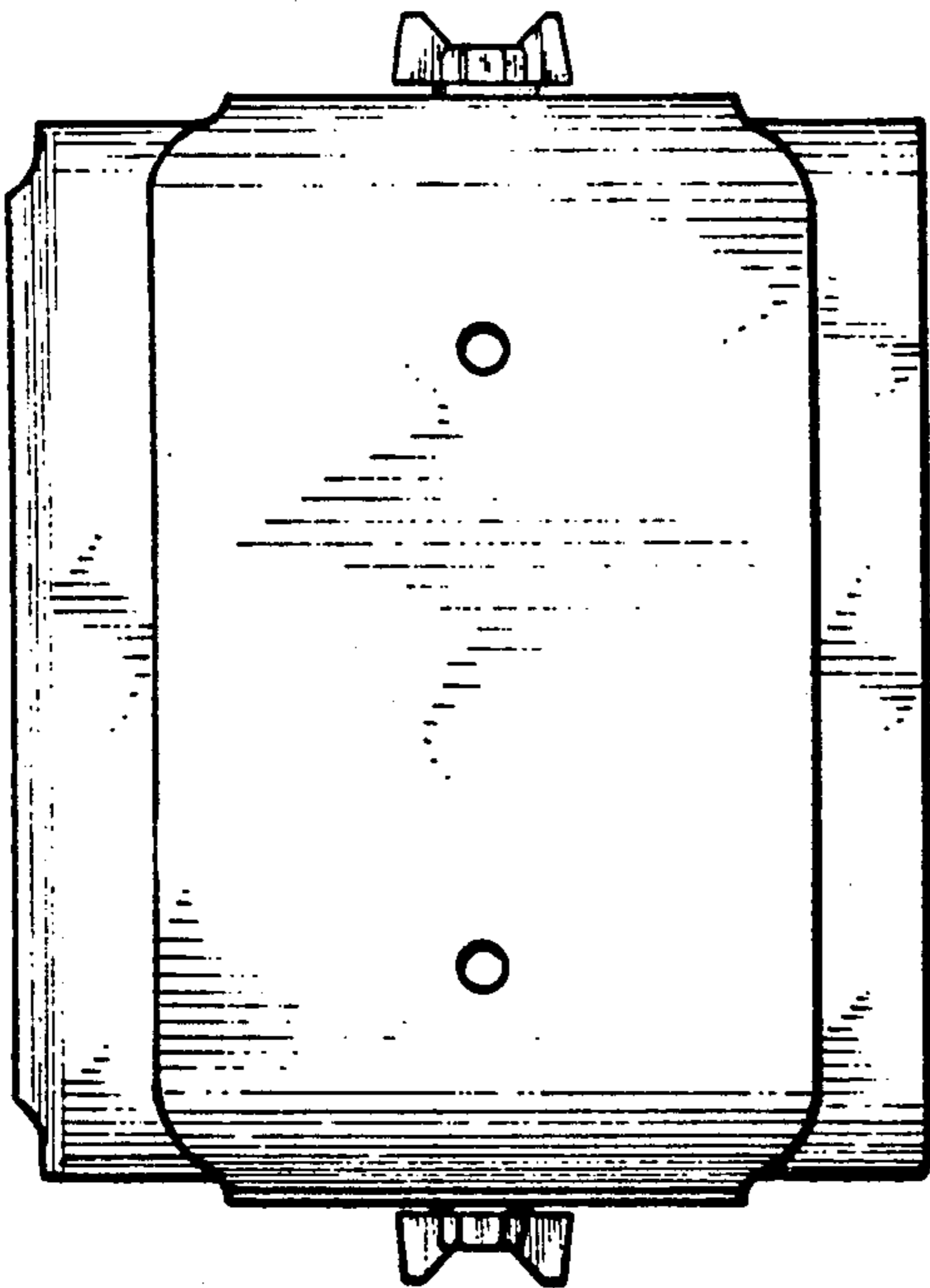


FIG. 7