



US00D330477S

# United States Patent [19]

Benjamin

[11] Patent Number: **Des. 330,477**

[45] Date of Patent: **\*\* Oct. 27, 1992**

[54] TABLE BASE

[76] Inventor: **Cynthia Benjamin**, 1710 Mossbrook Ave., San Jose, Calif. 95131

[\*\*] Term: **14 Years**

[21] Appl. No.: **504,249**

[22] Filed: **Apr. 4, 1990**

[52] U.S. Cl. .... **D6/499**

[58] Field of Search ..... D6/487, 491, 495, 499, D6/462-465; 211/182, 189, 181; 248/167, 188.6, 166; 108/113-115, 157; D7/409

[56] **References Cited**

### U.S. PATENT DOCUMENTS

- D. 133,715 9/1942 Neef, Jr. .... D6/499 X
- D. 230,236 2/1974 Fear ..... D6/499
- D. 231,888 6/1974 Caldwell ..... D6/487 X
- D. 232,405 8/1974 Leikarts et al. .... D6/487 X
- D. 239,898 5/1976 Kirshenbaum ..... D6/499
- D. 274,880 7/1984 Bentson ..... D6/499 X
- D. 298,495 11/1988 Glendinning ..... D6/495

- D. 303,741 10/1989 Lefkowitz ..... D6/495
- 4,946,050 8/1990 Akopiantz ..... D6/487 X

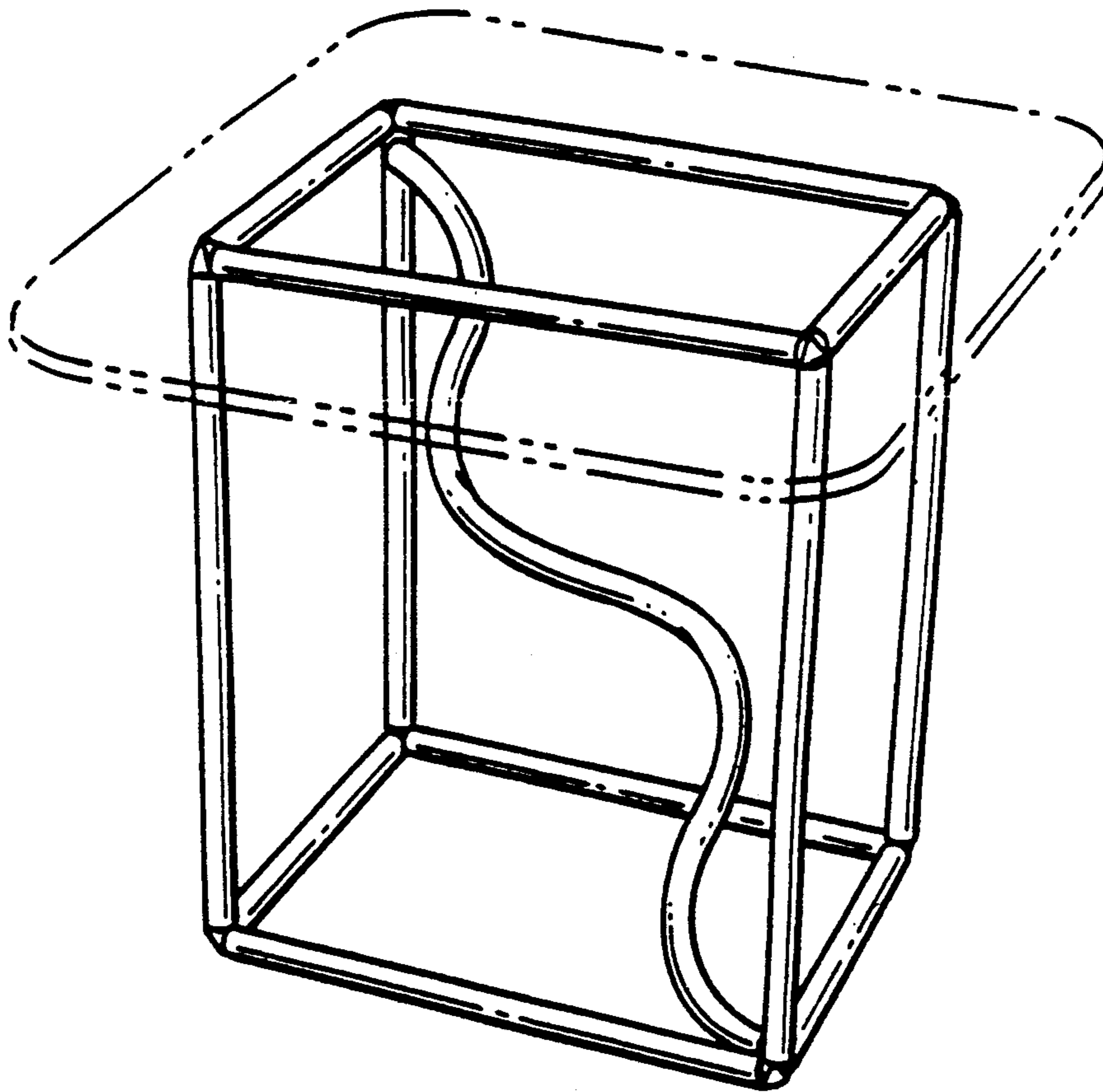
*Primary Examiner*—Donald P. Walsh  
*Assistant Examiner*—Jeffrey Asch  
*Attorney, Agent, or Firm*—Morrison & Foerster

### [57] CLAIM

The ornamental design for table base, as shown and described.

### DESCRIPTION

FIG. 1 is a perspective view of a table base showing my new design;  
 FIG. 2 is a perspective view thereof in an alternate position for use wherein the front side of FIG. 1 has been rotated to the top;  
 FIG. 3 is a top plan view thereof;  
 FIG. 4 is a front elevational view, the rear being a mirror image thereof; and,  
 FIG. 5 is a right side elevational view, the left side being a mirror image thereof.  
 The broken line showing of a table top in FIGS. 1, 2, 4 and 5 is for illustrative purposes only.



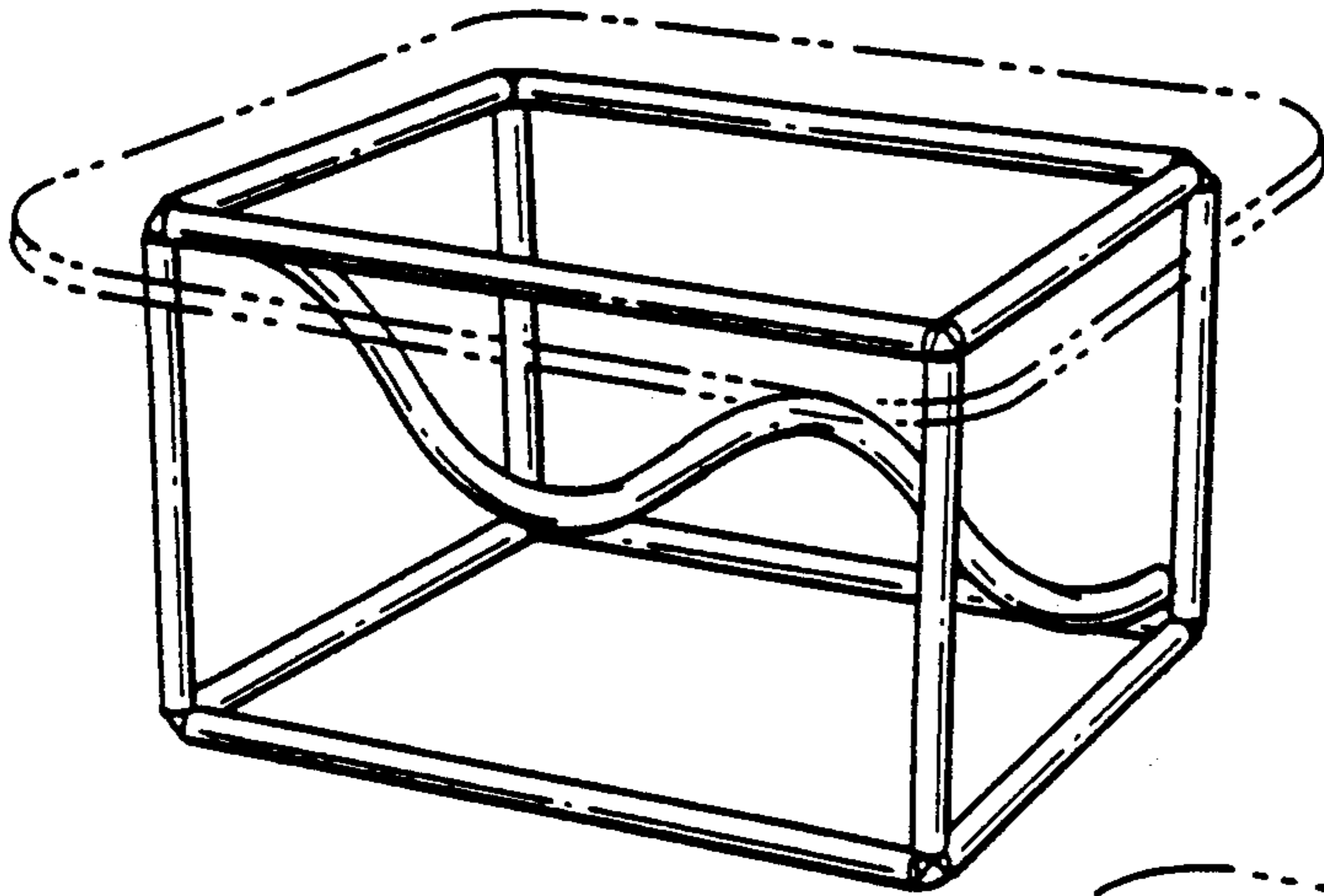


FIG. 2

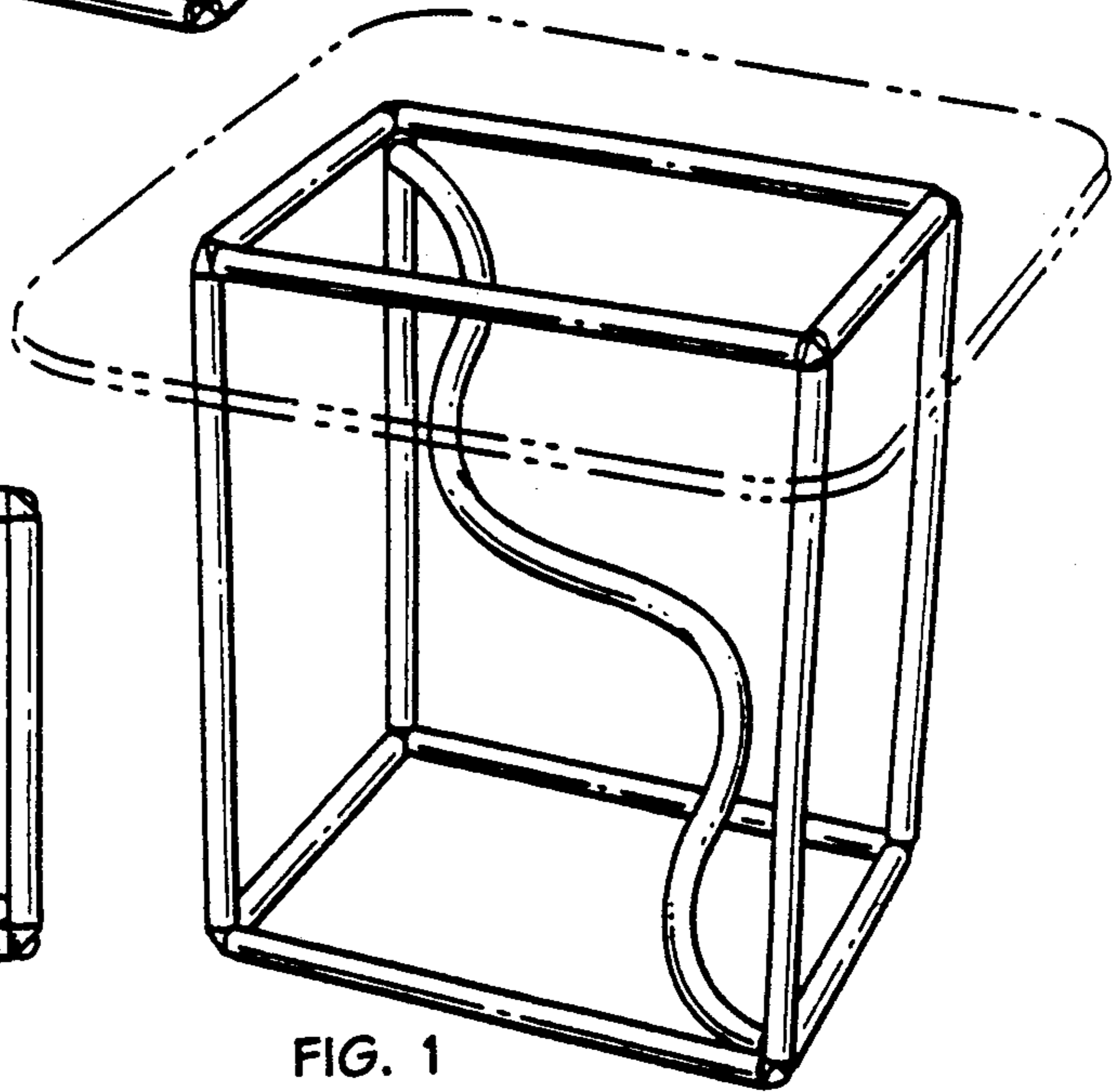


FIG. 1

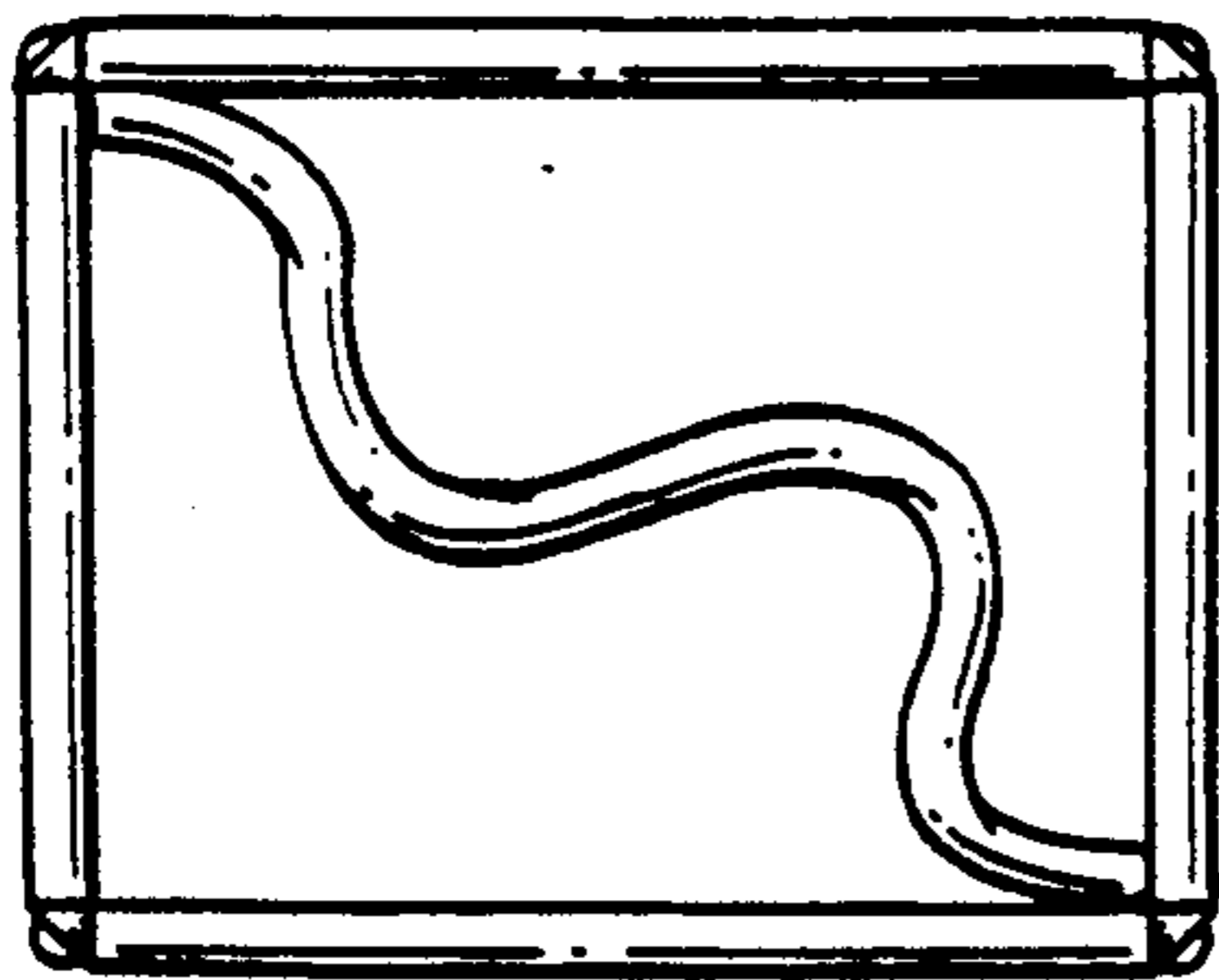


FIG. 3

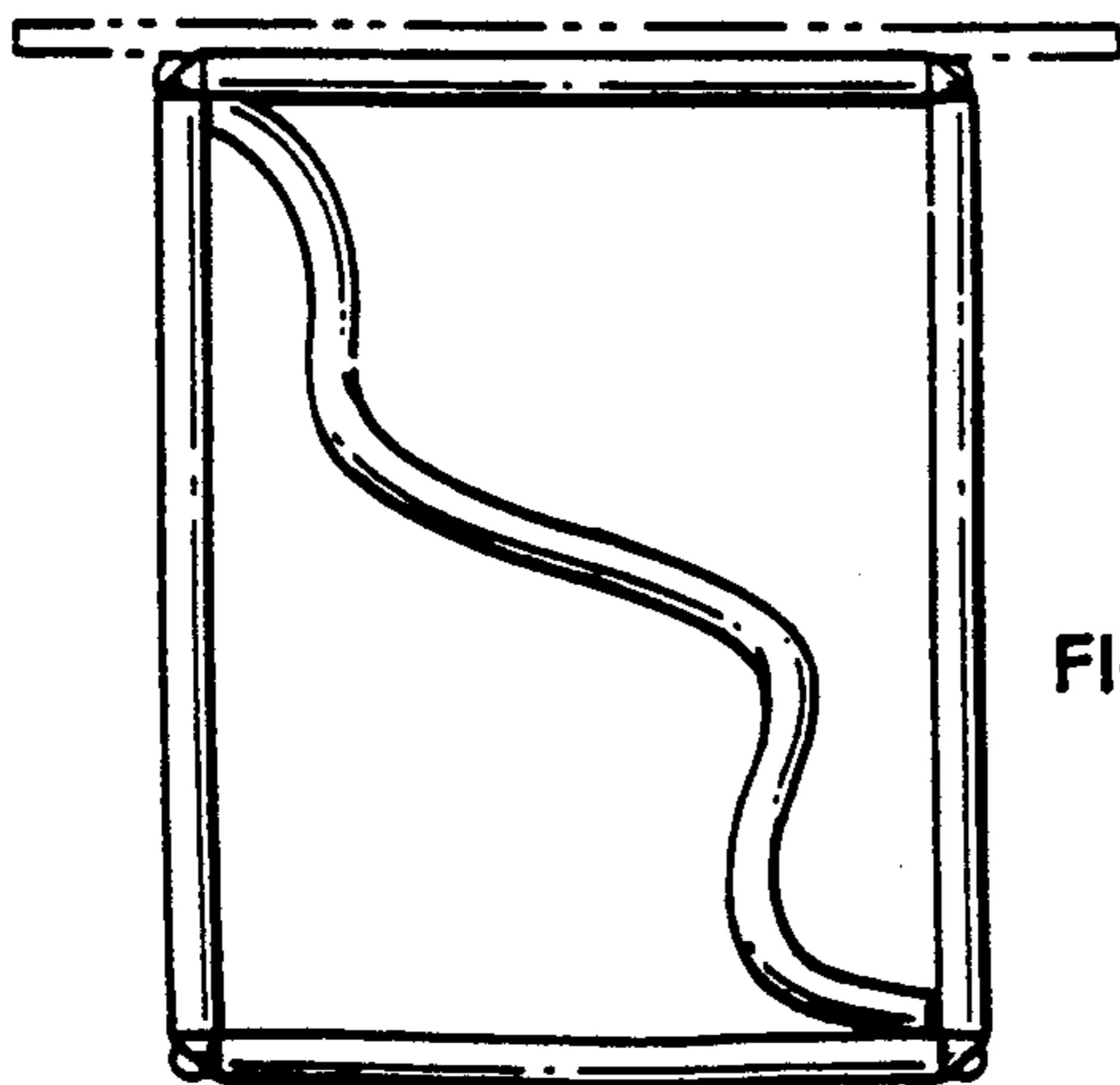


FIG. 4

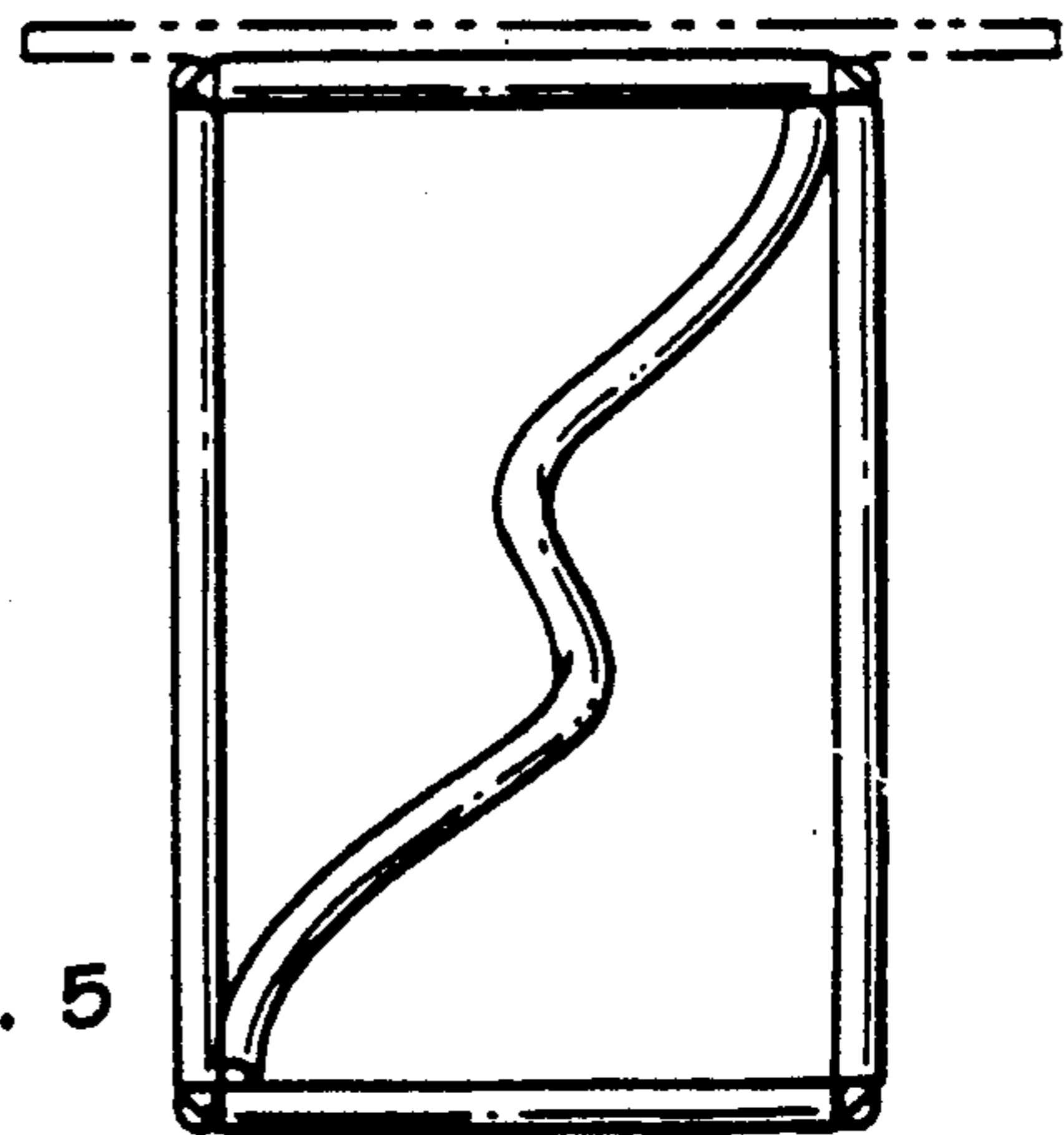


FIG. 5