



US00D330475S

United States Patent [19]

[11] Patent Number: **Des. 330,475**

Bennett

[45] Date of Patent: **** Oct. 27, 1992**

[54] TABLE

[76] Inventor: **Ward Bennett, One W. 72nd St., New York, N.Y. 10023**

[**] Term: **14 Years**

[21] Appl. No.: **443,346**

[22] Filed: **Nov. 30, 1989**

[52] U.S. Cl. **D6/485; D6/480**

[58] Field of Search **D6/480-489, D6/495, 499, 429-430, 455, 441, 477**

[56] **References Cited**

U.S. PATENT DOCUMENTS

D. 208,785	10/1967	Jakobsen	D6/484	X
D. 238,643	2/1976	Benzen	D6/485	X
4,109,588	8/1978	Powers	D6/480	X

OTHER PUBLICATIONS

Industrial Design, Apr. 1967, p. 61, table at left & 2nd from bottom.

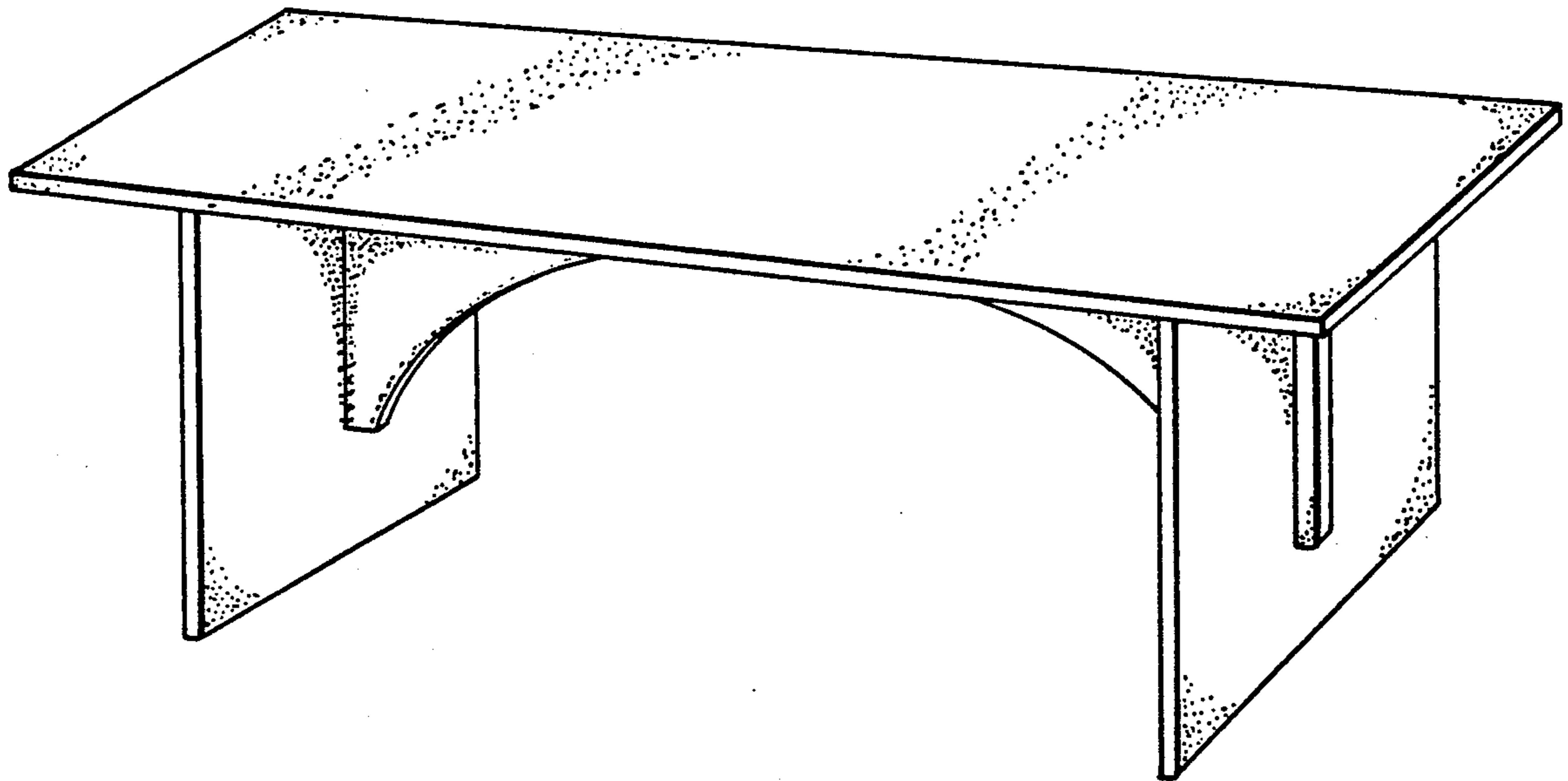
Primary Examiner—Nelson C. Holtje
Assistant Examiner—Janice E. Seeger
Attorney, Agent, or Firm—Hoffman, Wasson & Gitler

[57] **CLAIM**

The ornamental design for a table, as shown and described.

DESCRIPTION

FIG. 1 is a top plan view of a table, showing my new design;
FIG. 2 is a bottom plan view;
FIG. 3 is a side elevational view;
FIG. 4 is an elevational view, showing the side not shown in FIG. 3;
FIG. 5 is an end elevational view;
FIG. 6 is an elevational view, showing the end not shown in FIG. 6; and,
FIG. 7 is a perspective view on an enlarged scale.



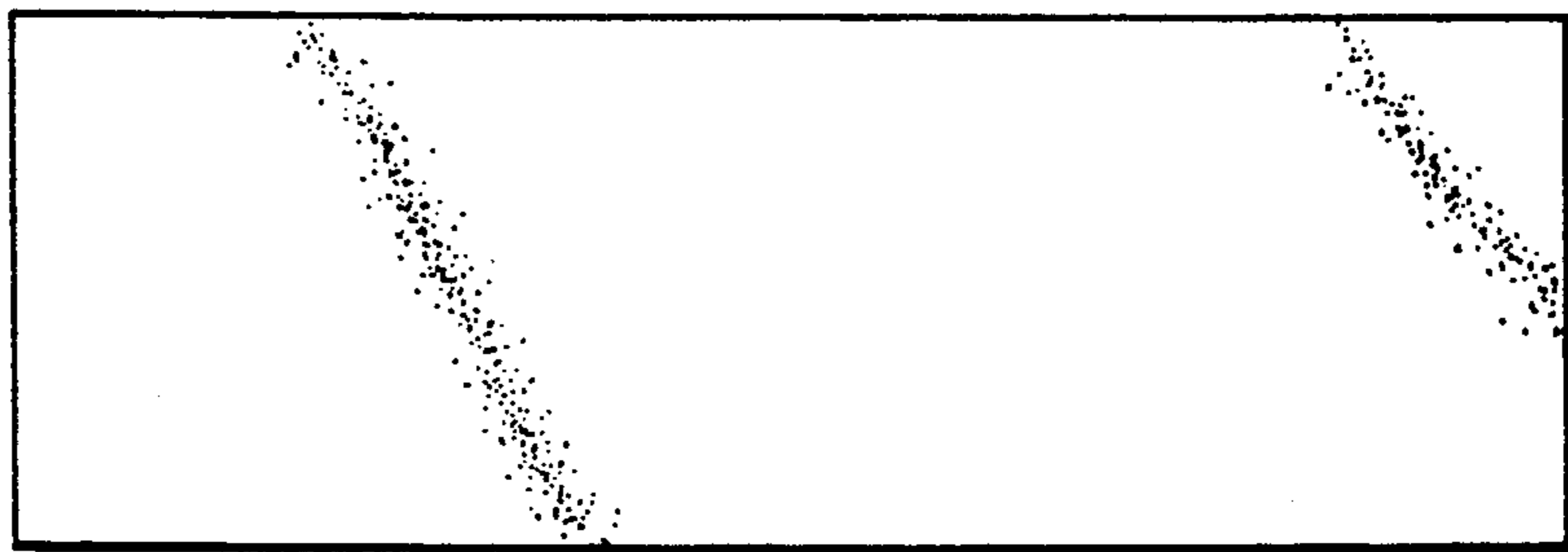


FIG. 1

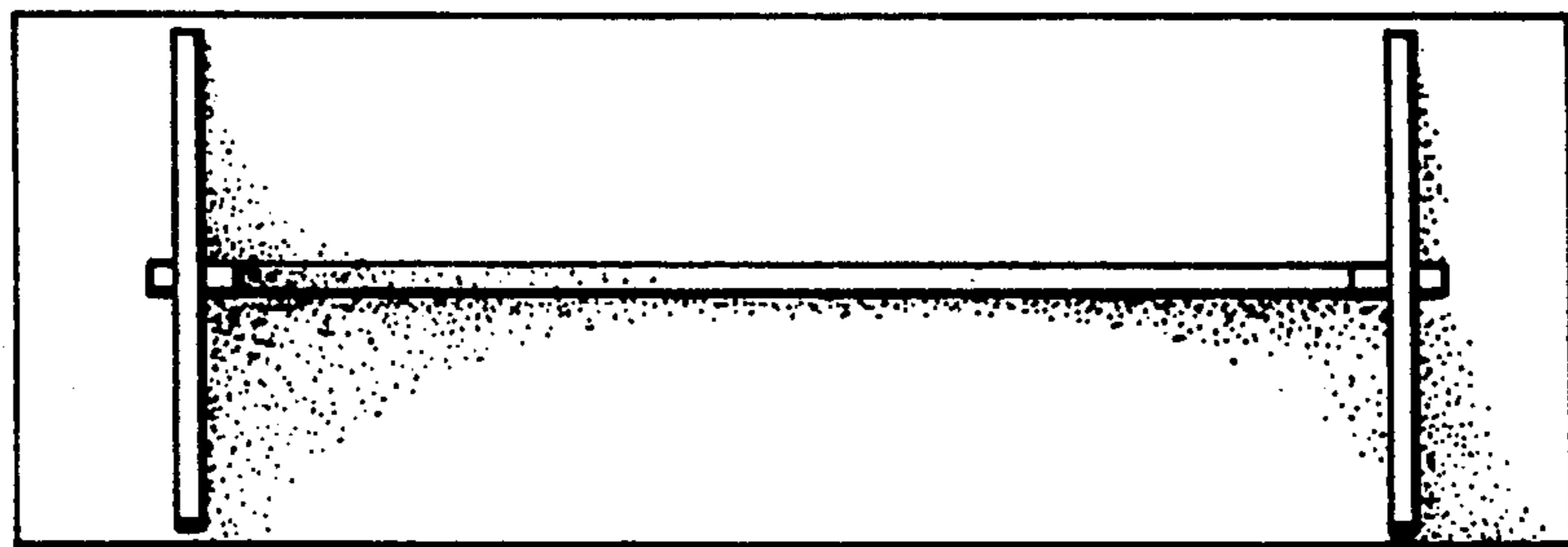


FIG. 2

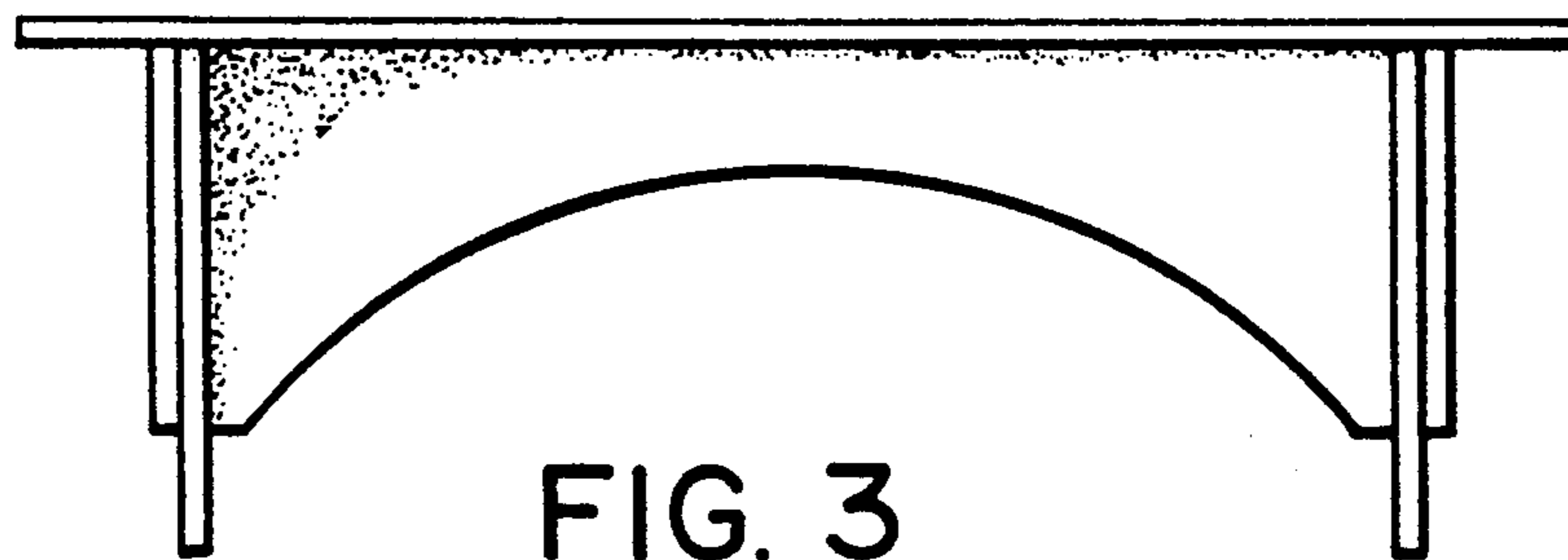


FIG. 3

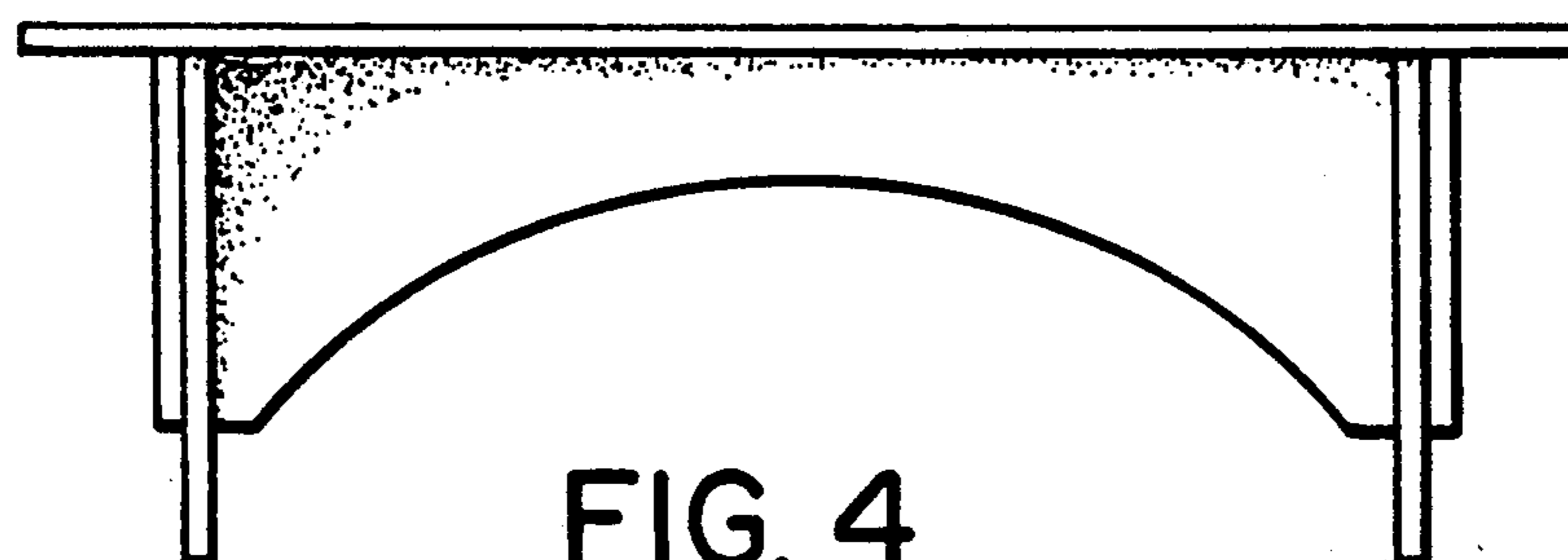


FIG. 4

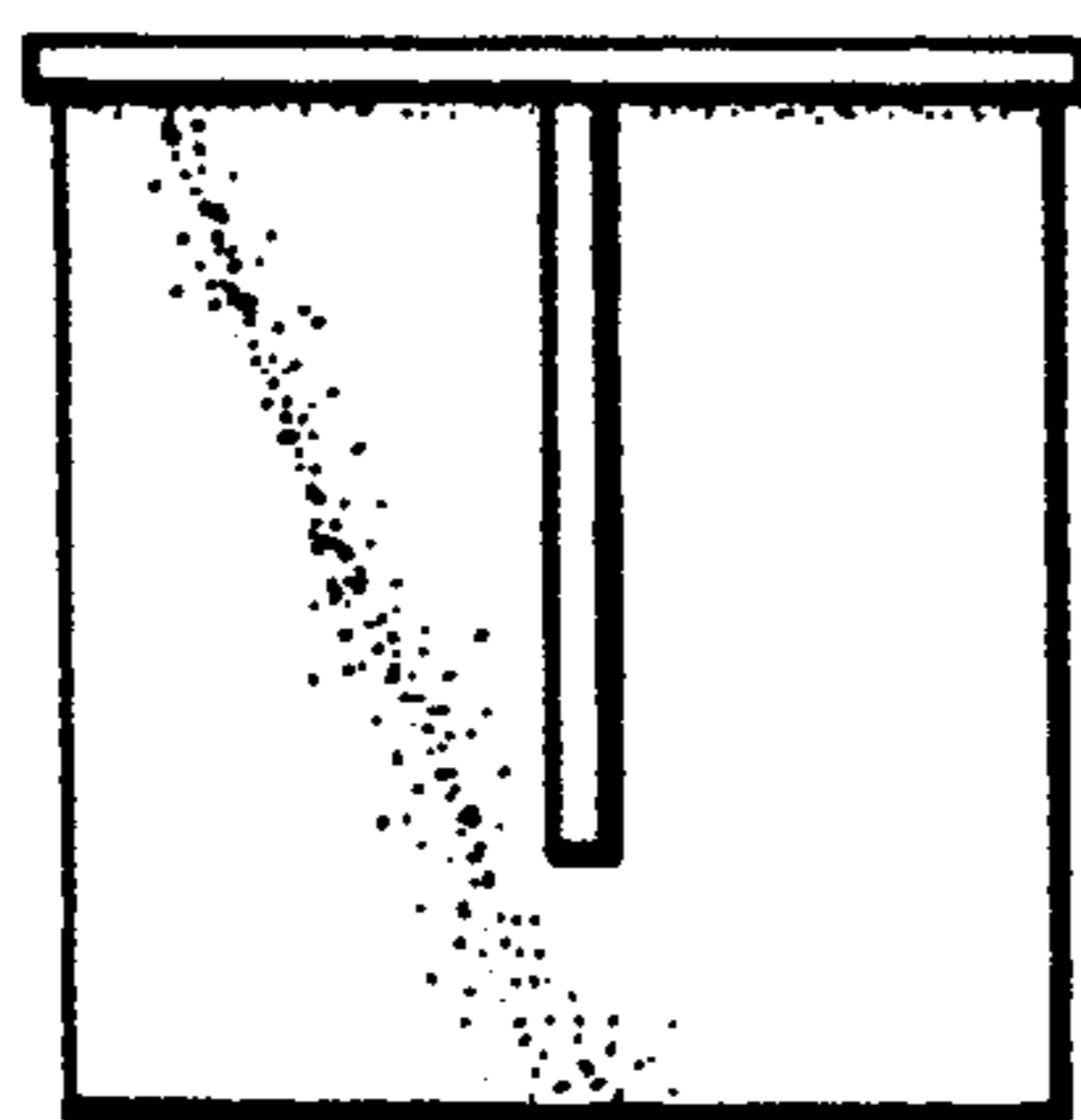


FIG. 5

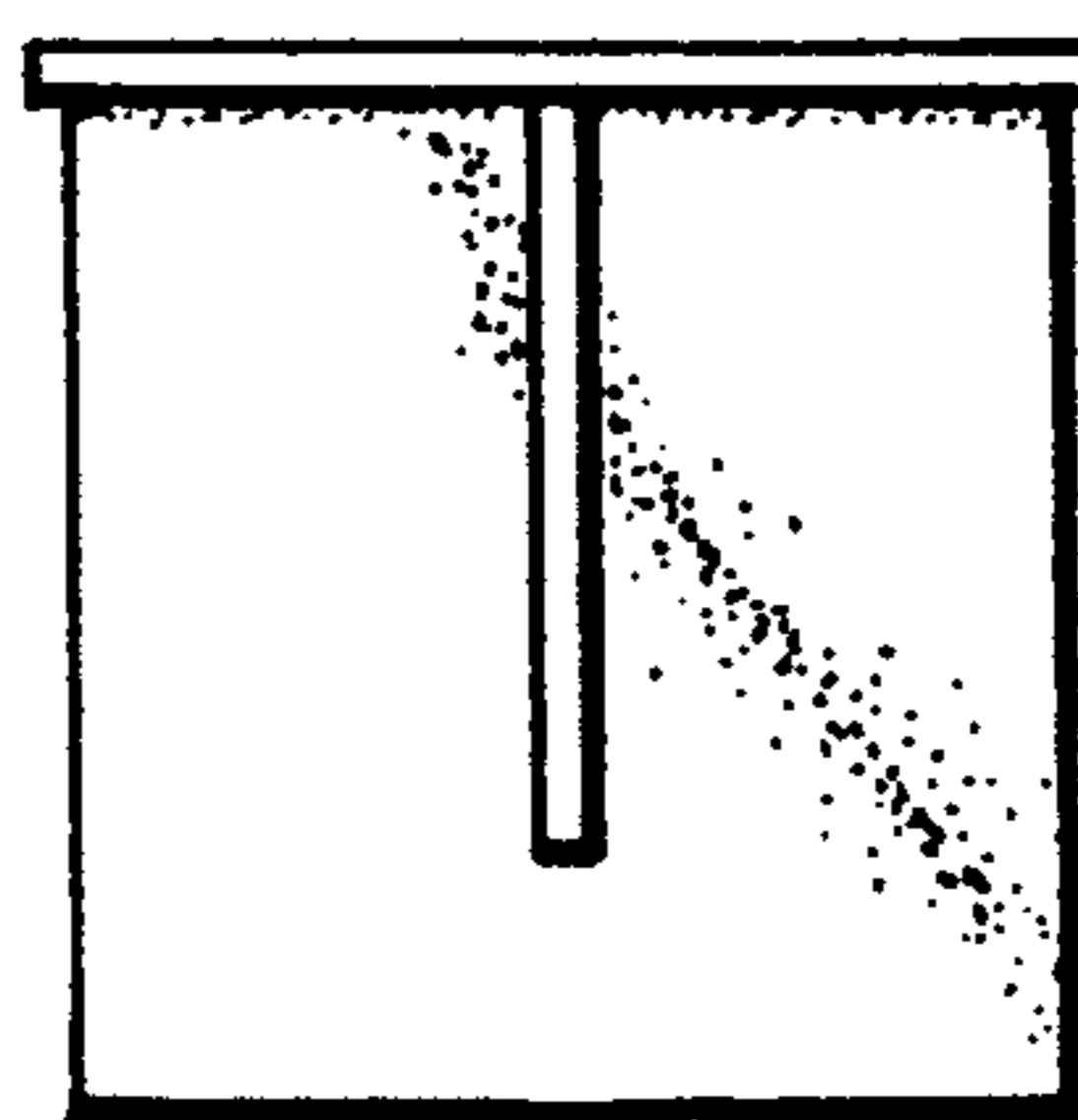


FIG. 6

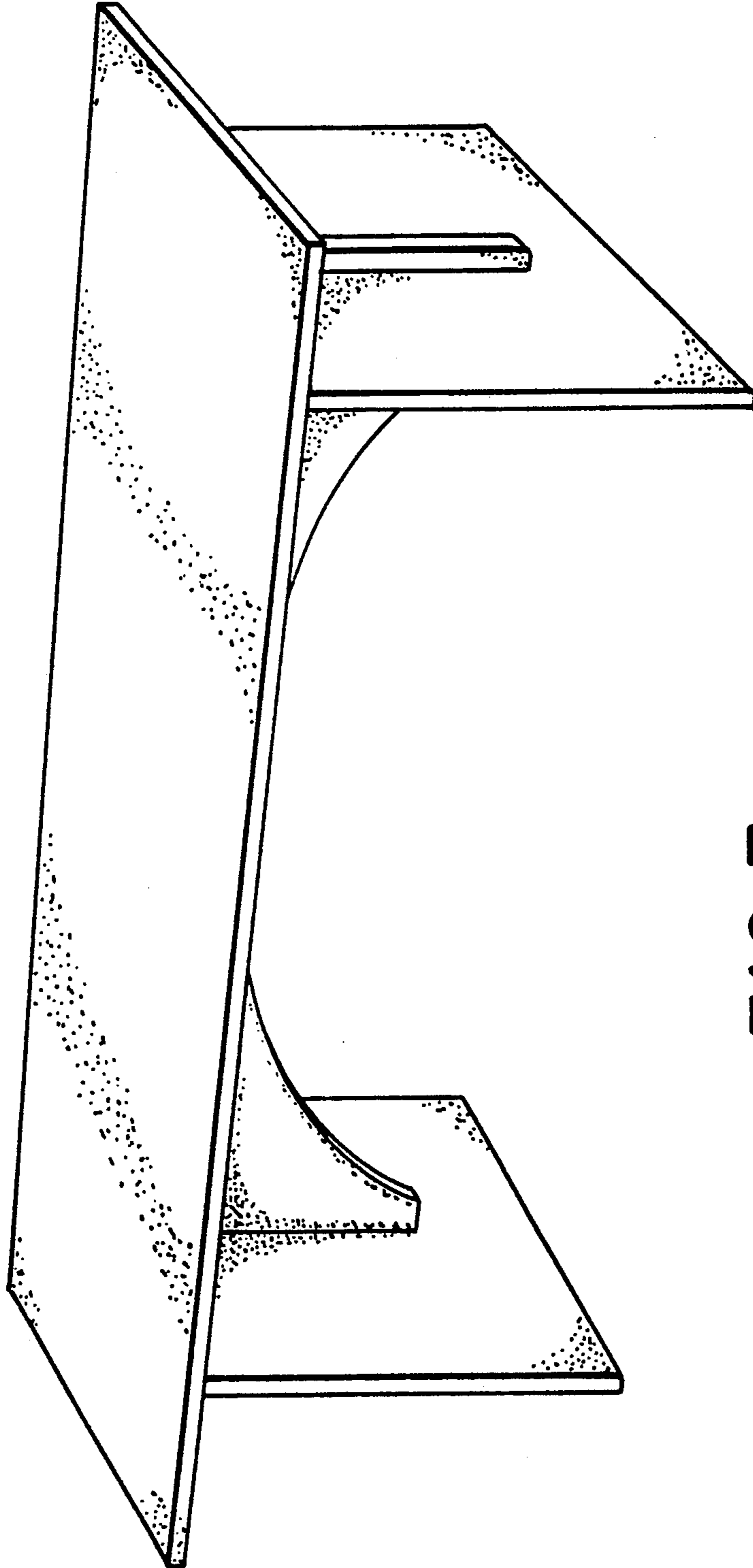


FIG. 7