



US00D330474S

# United States Patent [19]

[11] Patent Number: **Des. 330,474**

**Liptak**

[45] Date of Patent: **\*\* Oct. 27, 1992**

[54] **DISPLAY HOLDER FOR BROCHURES AND THE LIKE**

D. 279,745	7/1985	Kellogg	.....	D6/475 X
D. 286,113	10/1986	Albery	.....	D6/475
D. 308,784	6/1990	Liptak	.....	D6/553
D. 321,446	11/1991	Liptak	.....	D6/475
D. 321,614	11/1991	Liptak	.....	D6/475

[75] Inventor: **Richard M. Liptak**, Parma Heights, Ohio

*Primary Examiner*—Donald P. Walsh  
*Assistant Examiner*—Jeffrey Asch  
*Attorney, Agent, or Firm*—Pearne, Gordon, McCoy & Granger

[73] Assignee: **Integral Design, Inc.**, Cleveland, Ohio

[\*\*] Term: **14 Years**

[21] Appl. No.: **584,874**

### [57] CLAIM

[22] Filed: **Sep. 19, 1990**

The ornamental design for a display holder for brochures and the like, as shown and described.

[52] U.S. Cl. .... **D6/475; D19/90**

[58] Field of Search ..... **D6/476, 475, 470, 471, D6/449, 466, 467, 512, 553, 567, 300, 407, 310-314; 211/13, 40, 41, 50, 55, 45; D19/86, 89-92**

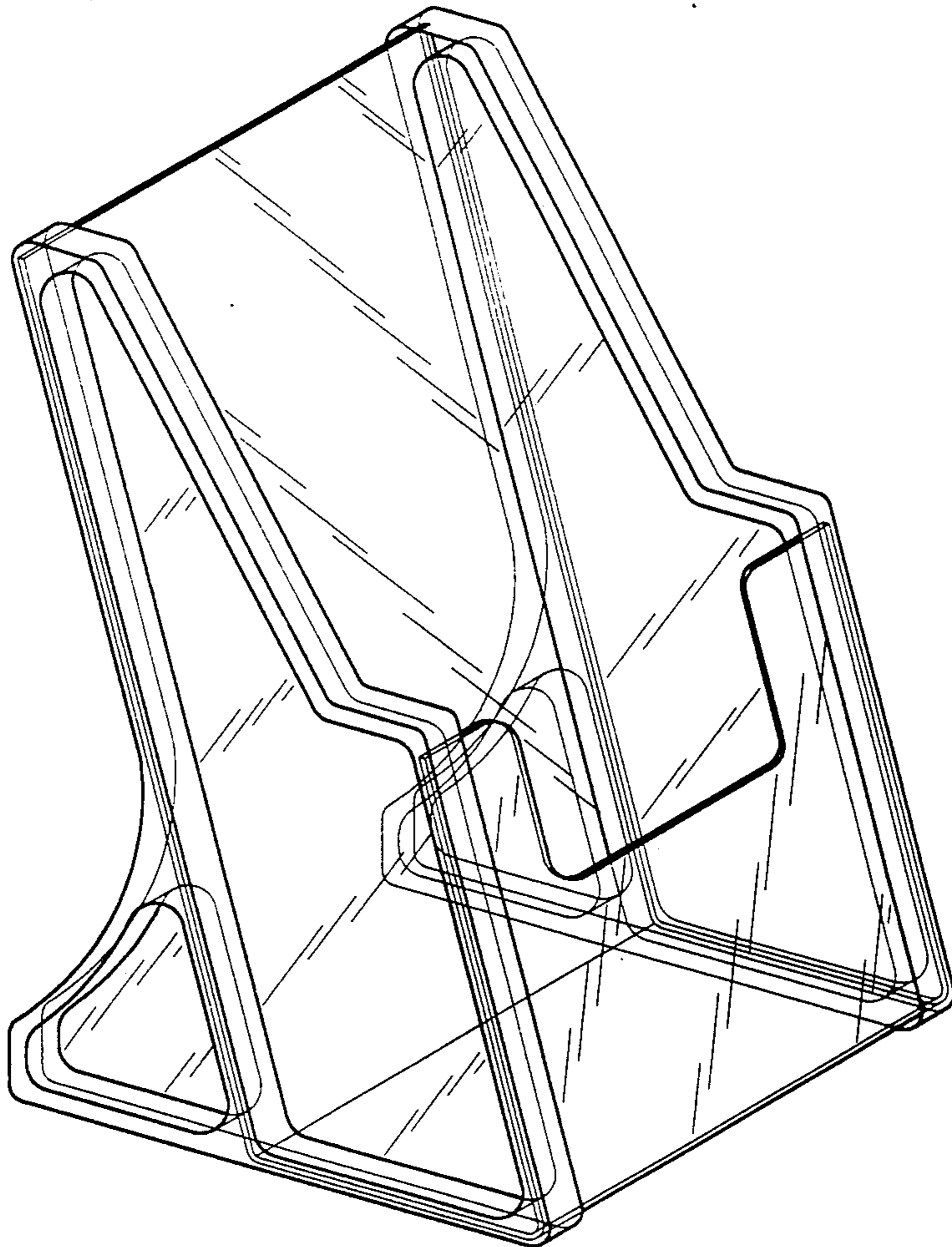
### DESCRIPTION

### [56] References Cited

#### U.S. PATENT DOCUMENTS

D. 146,978	6/1947	Mack, Jr.	.....	D6/475
D. 250,240	11/1978	Braginetz	.....	D6/475
D. 250,241	11/1978	Braginetz	.....	D6/475
D. 251,466	4/1979	Ciminelli	.....	D6/311
D. 264,786	6/1982	Faas et al.	.....	D6/475

FIG. 1 is a perspective view of a display holder for brochures and the like, showing my new design; FIG. 2 is a left side elevational view, the right side being a mirror image thereof; FIG. 3 is a front elevational view thereof; FIG. 4 is a top plan view thereof; FIG. 5 is a rear elevational view thereof; and, FIG. 6 is a bottom plan view thereof. FIGS. 2-6 have been shown on a reduced scale with respect to FIG. 1.



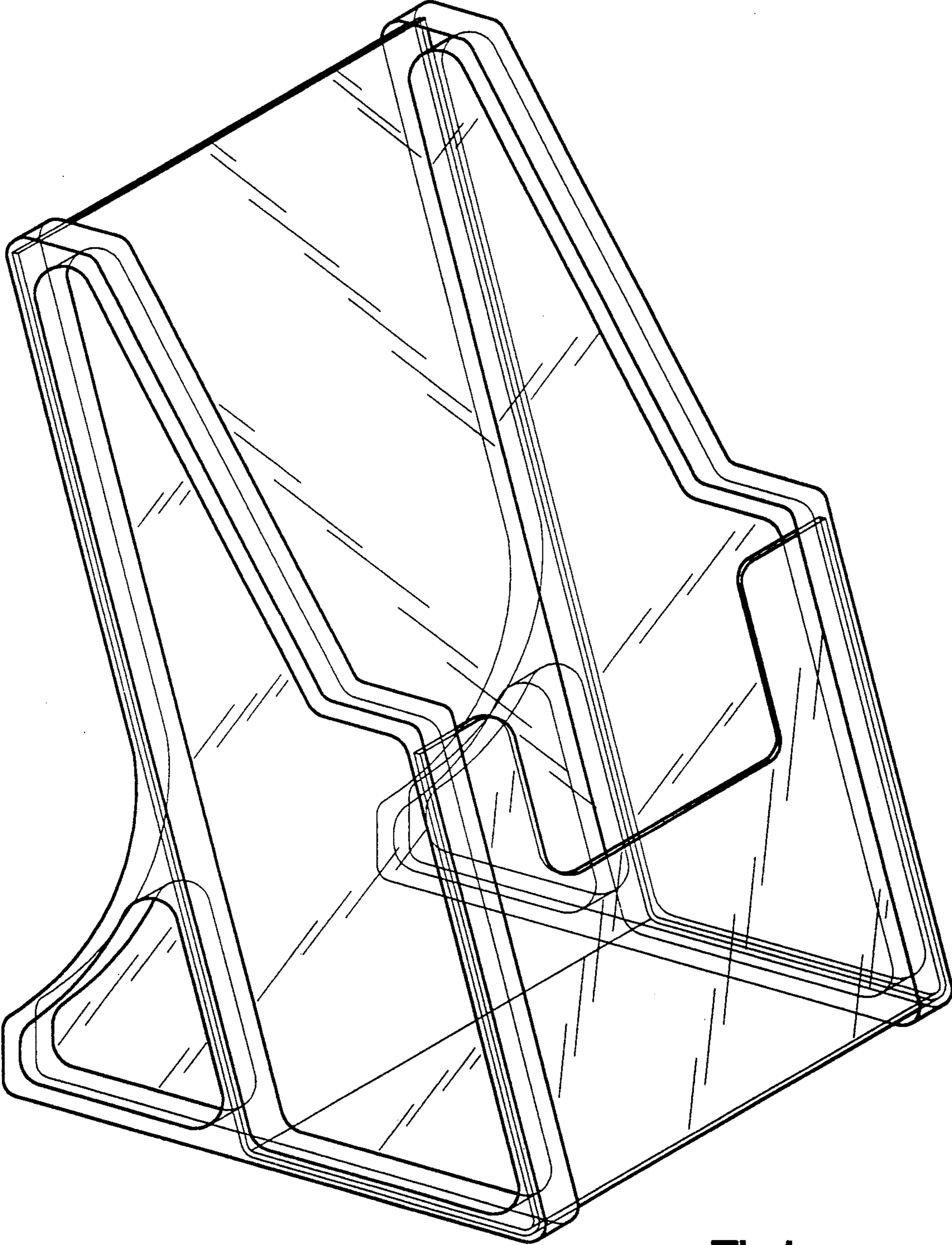


Fig.1

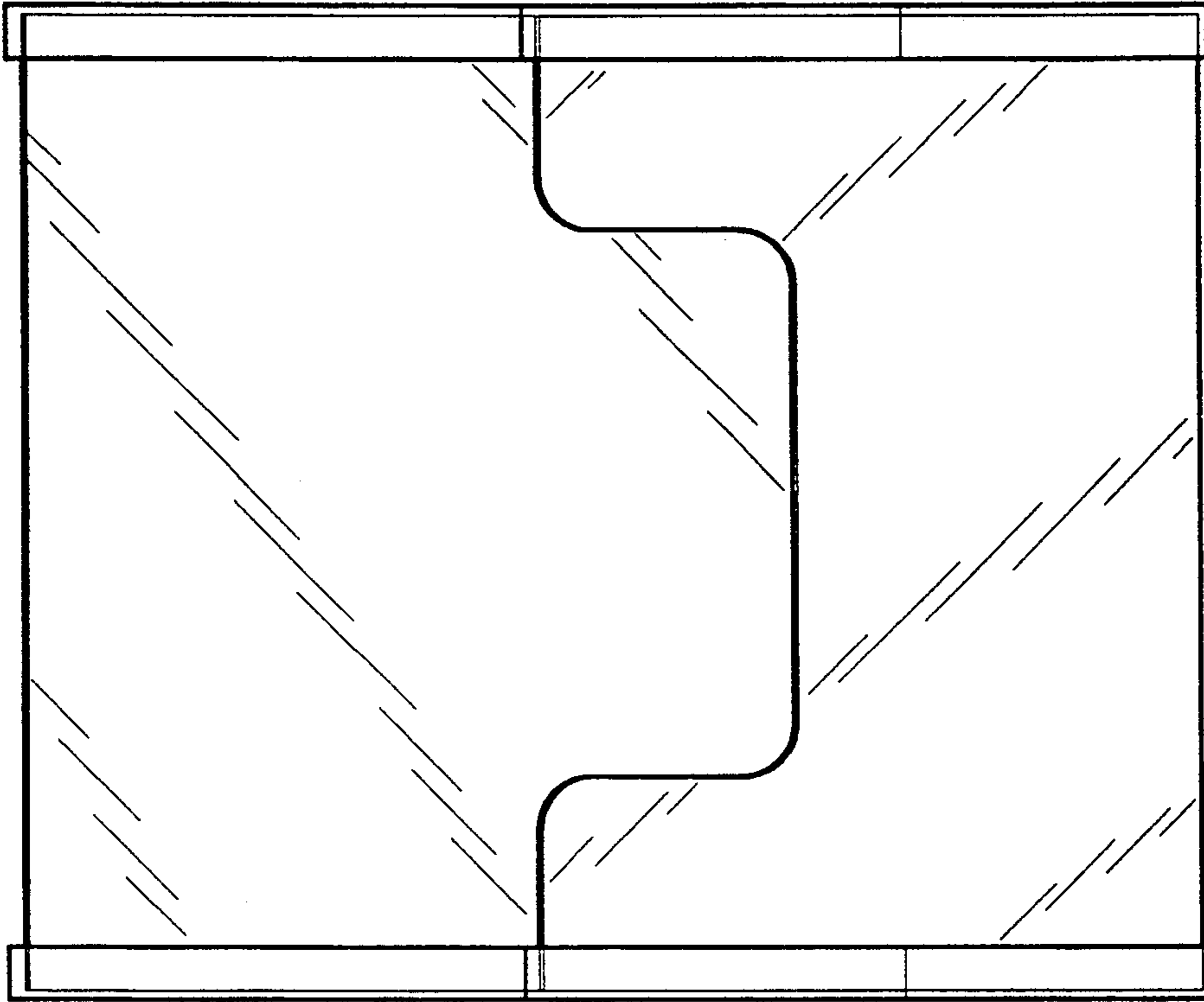


Fig.3

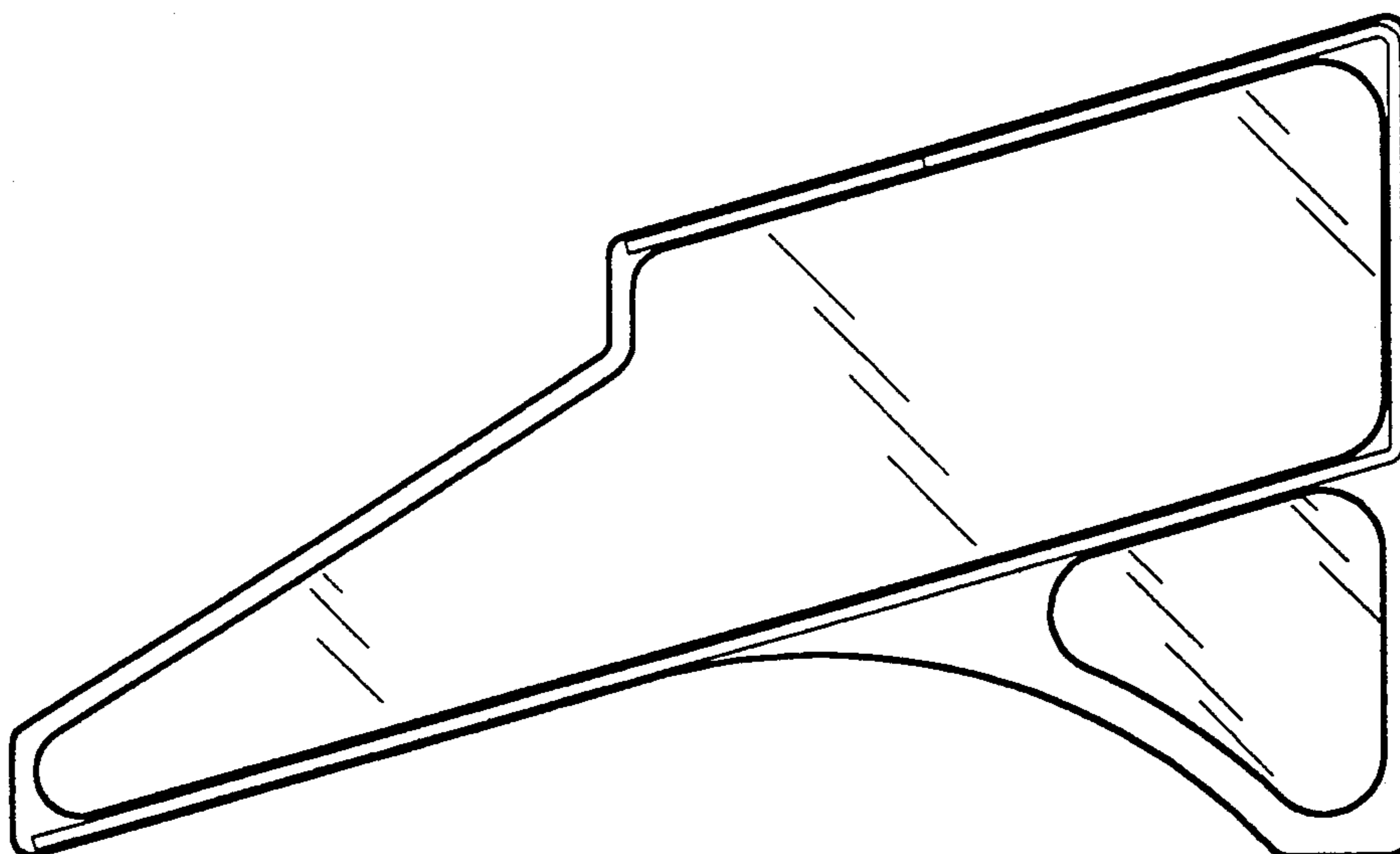


Fig.2



Fig.4

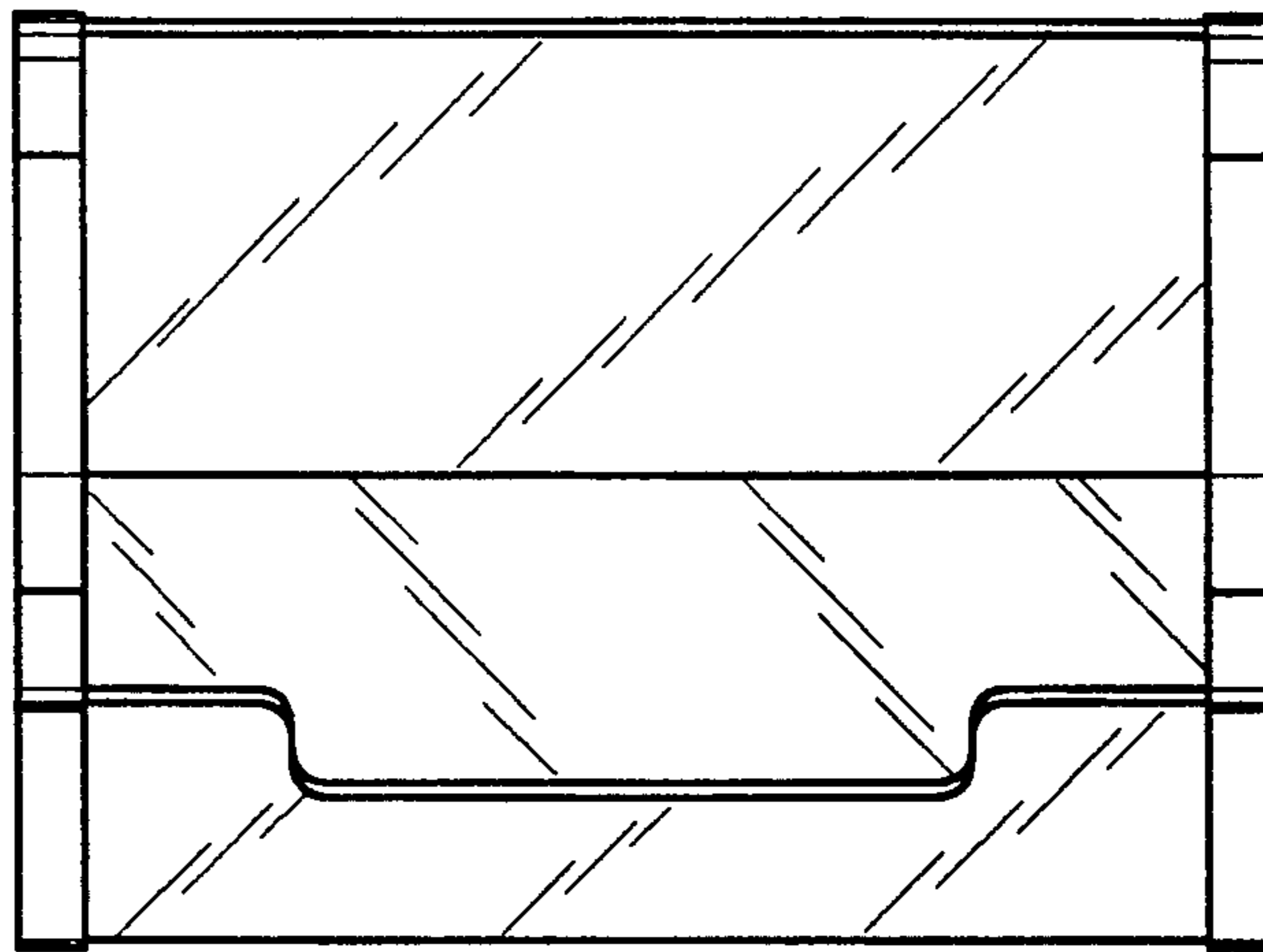


Fig.5

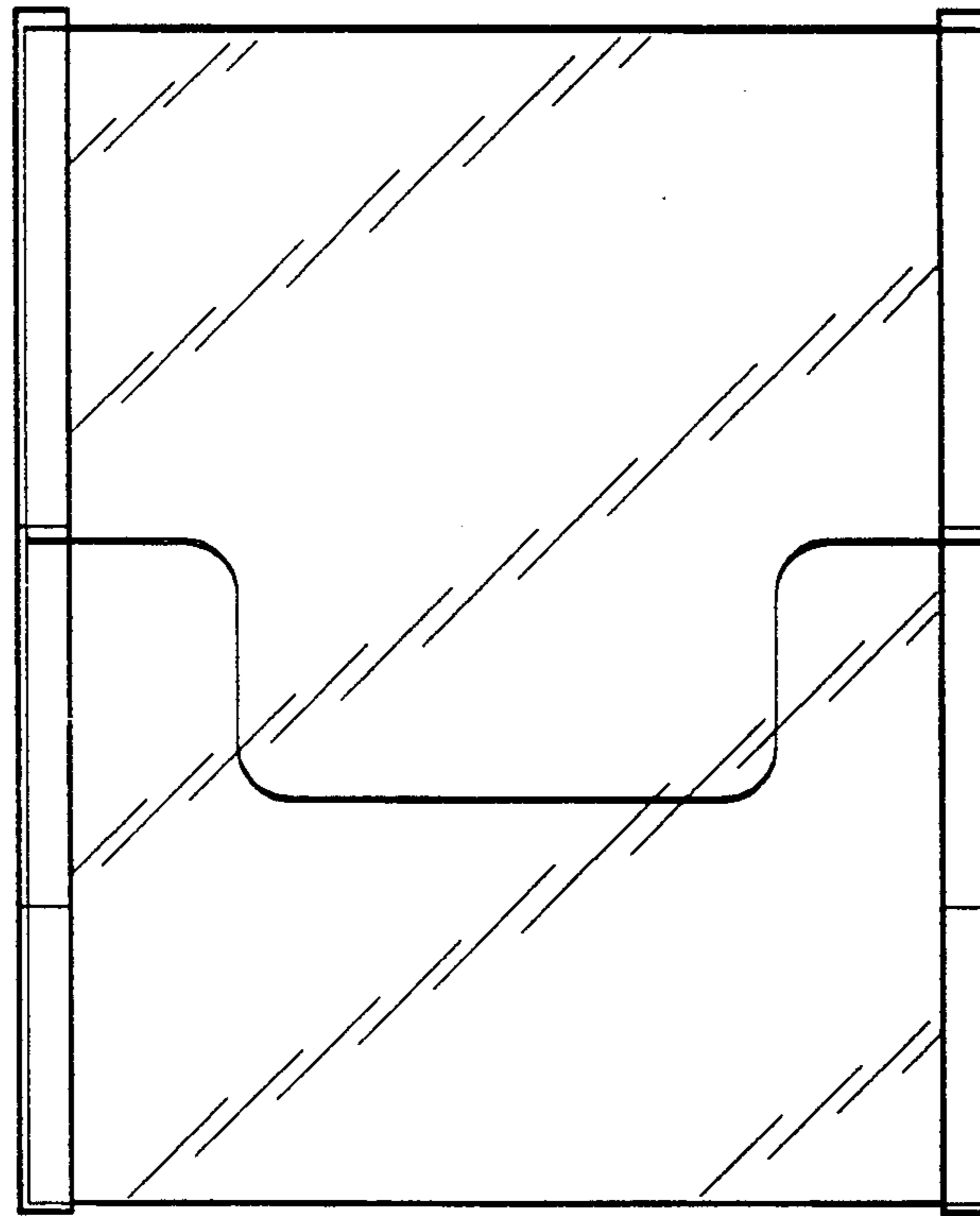


Fig.6

