



US00D330473S

# United States Patent [19]

[11] Patent Number: Des. 330,473

Lemire

[45] Date of Patent: \*\* Oct. 27, 1992

[54] TELEVISION ACCESSORY CADDY

[76] Inventor: Richard R. Lemire, 80 Fourth Ave., Lowell, Mass. 01854

[\*\*] Term: 14 Years

[21] Appl. No.: 672,602

[22] Filed: Mar. 20, 1991

[52] U.S. Cl. .... D6/466; D6/397; D6/419; D6/467; D6/475; D19/90

[58] Field of Search ..... D25/119, 121, 122; D19/91, 92, 90; D6/449, 396, 397, 473, 466-468, 462-465, 475, 476, 419; 248/346, 309.1, 205.2, 176, 174, 441.1, 444.1, 450, 451, 459, 442.2; 211/13, 41, 45, 50; D18/49

[56] References Cited

U.S. PATENT DOCUMENTS

D. 186,672	11/1959	Gilruth	.....	D6/475
D. 204,889	5/1966	Gingher	.....	D25/121 X
D. 247,015	1/1978	Fowlie	.....	D6/475
D. 315,366	3/1991	Greenspahn	.....	D19/92 X
D. 319,936	9/1991	Lowe	.....	D6/466
D. 326,196	5/1992	Shikoff et al.	.....	D6/467
3,086,658	4/1963	Palmer	.....	D6/449 X

OTHER PUBLICATIONS

View Rite Catalog, item DX-23.

Display Innovations in Acrylic Catalog, Extra large sign holders item.

Dahlstrom Catalog, item 587.

Primary Examiner—Carmen H. Vales-Lado

Assistant Examiner—Jeffrey Asch

Attorney, Agent, or Firm—Richard C. Litman

[57] CLAIM

The ornamental design for a television accessory caddy, as shown and described.

DESCRIPTION

FIG. 1 is a top plan view of a television accessory caddy showing my new design;

FIG. 2 is a bottom plan view thereof;

FIG. 3 is a end elevational view, the opposite end being a mirror image thereof;

FIG. 4 is a side elevational view, the opposite side being a mirror image thereof;

FIG. 5 is a perspective view thereof;

FIG. 6 is a top plan view of a second embodiment of that shown in FIG. 1;

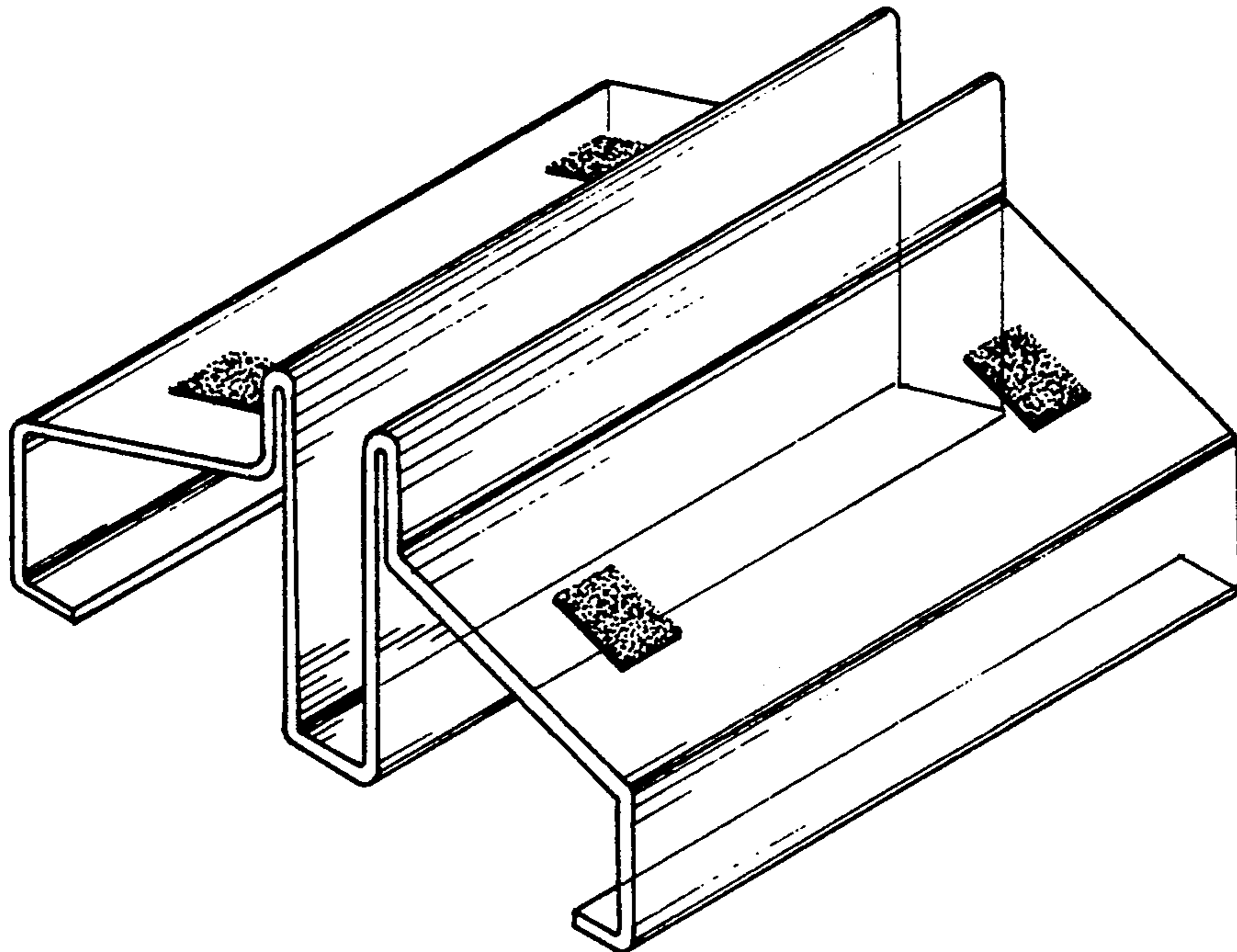
FIG. 7 is a bottom plan view thereof;

FIG. 8 is an end elevational view, the opposite end being a mirror image thereof;

FIG. 9 is a side elevational view, the opposite side being a mirror image thereof; and,

FIG. 10 is a perspective view thereof.

The broken line showings of television accessories in FIGS. 5 and 8 are for illustrative purposes only.



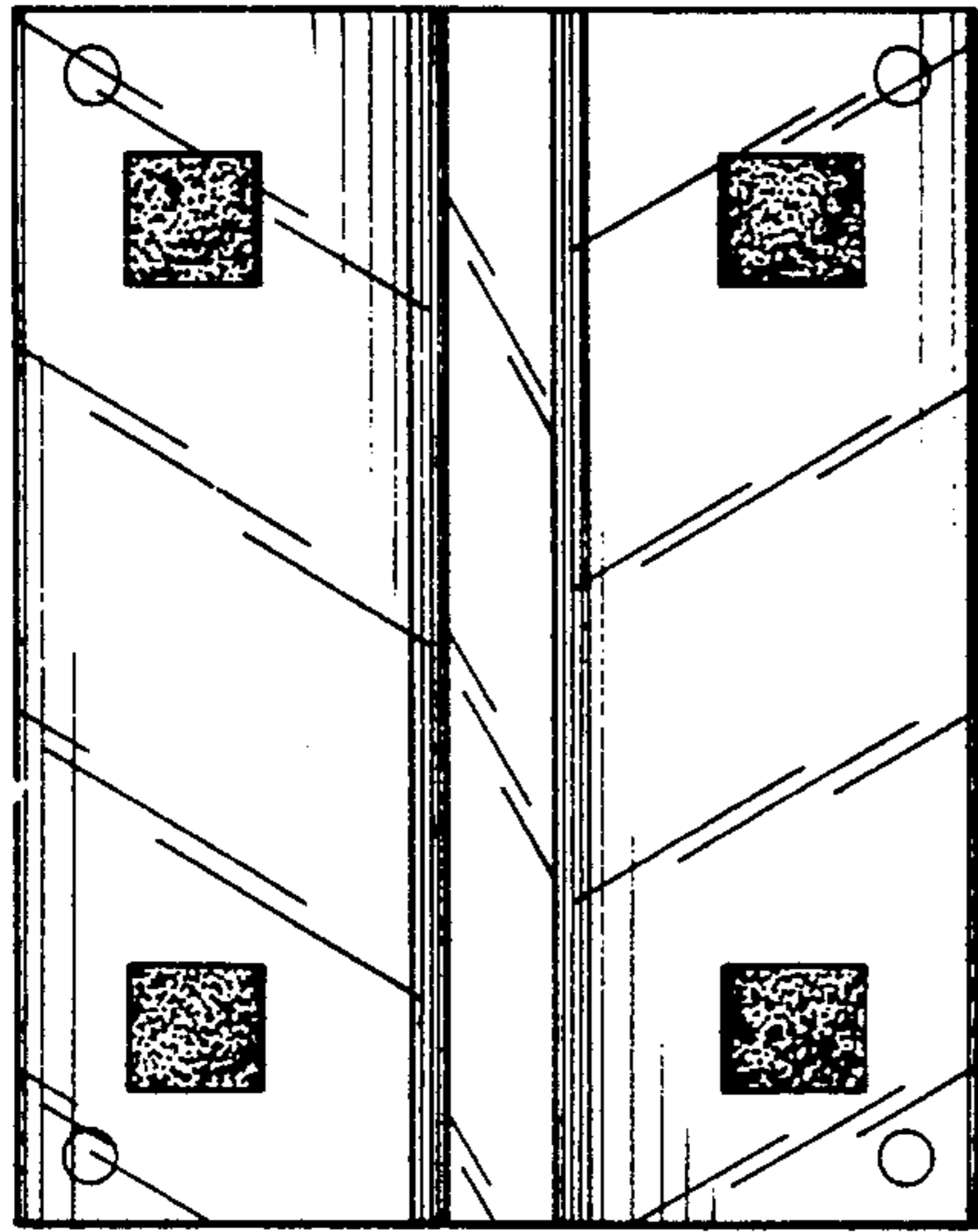


Fig 1

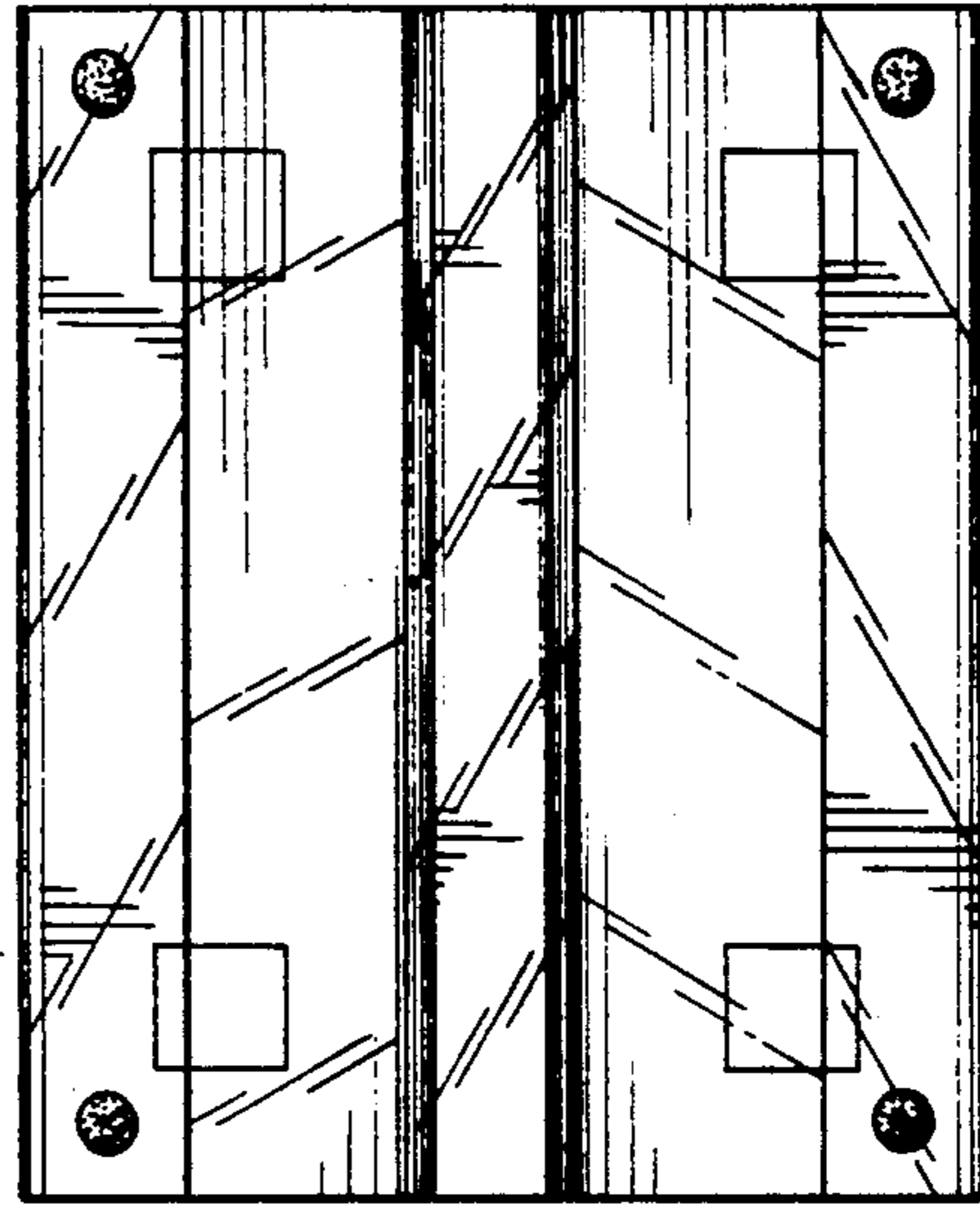


Fig 2

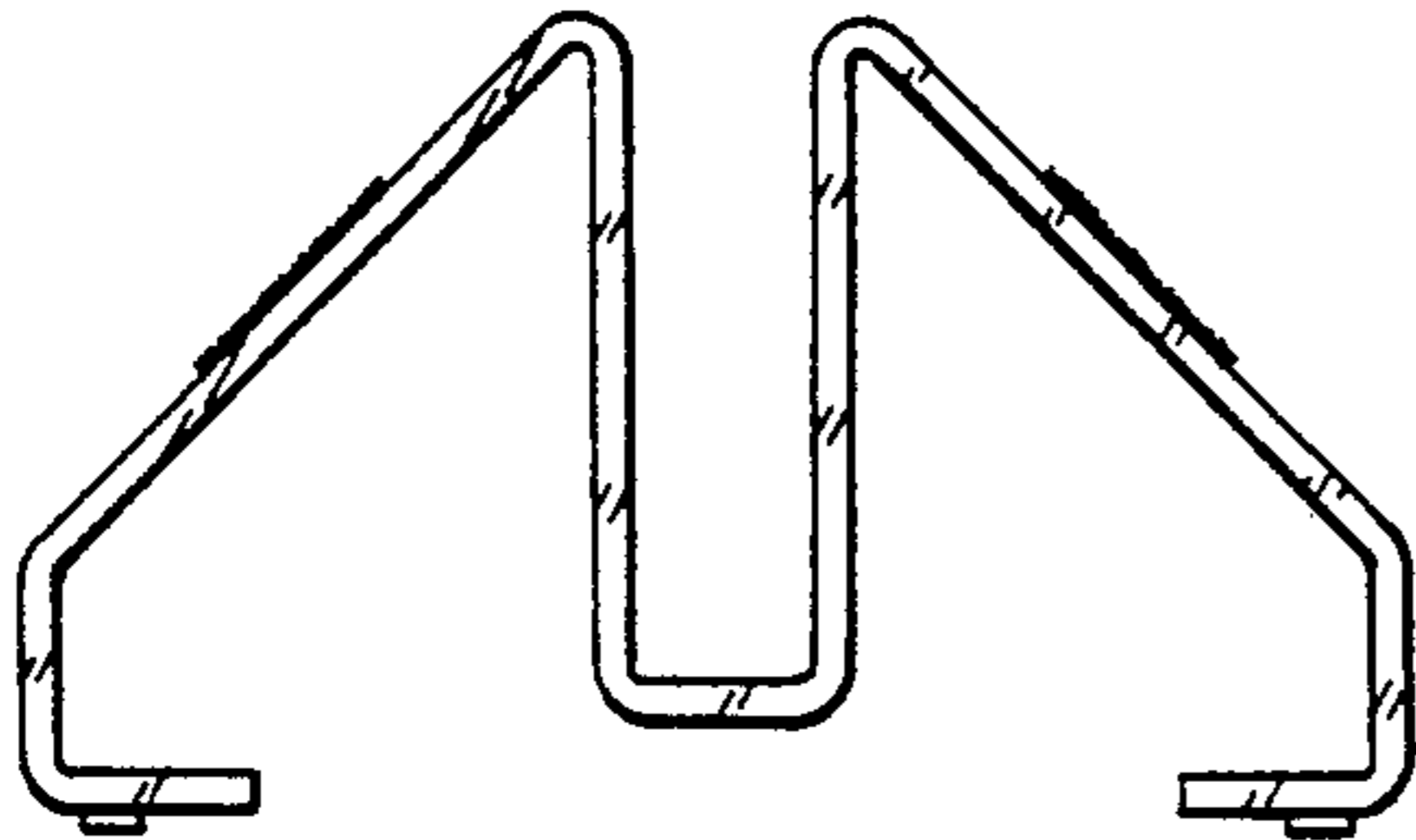


Fig 3

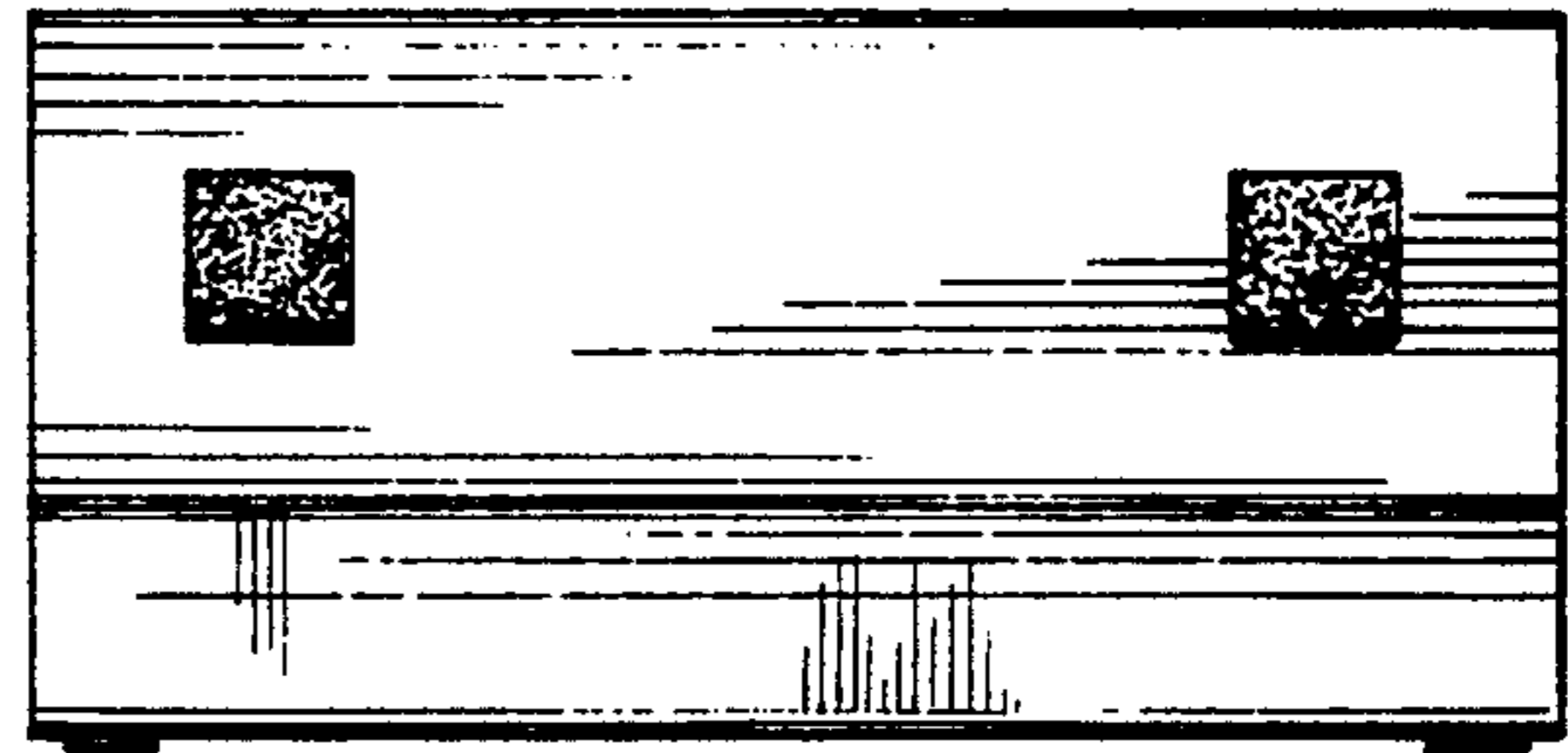


Fig 4

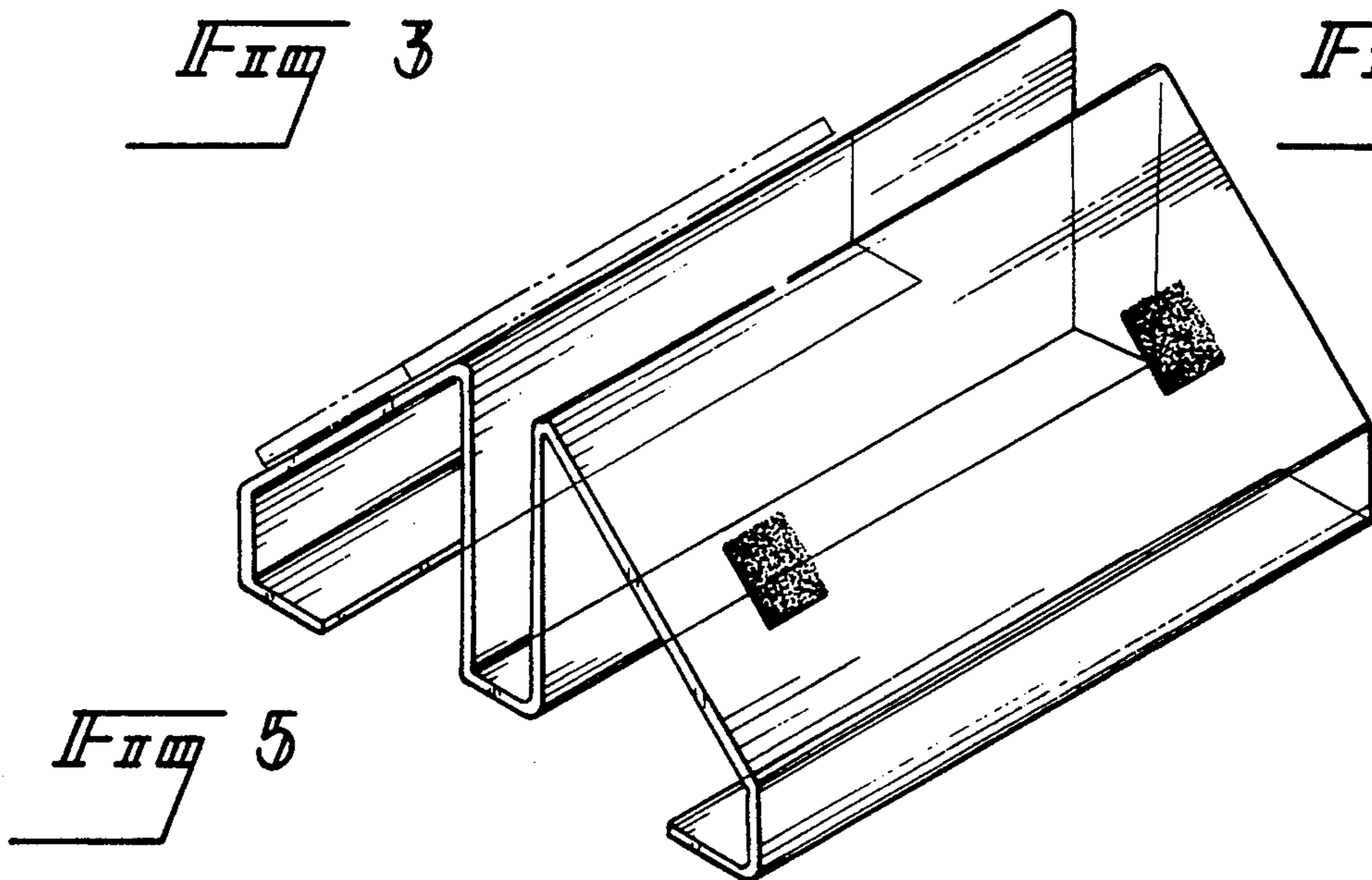


Fig 5

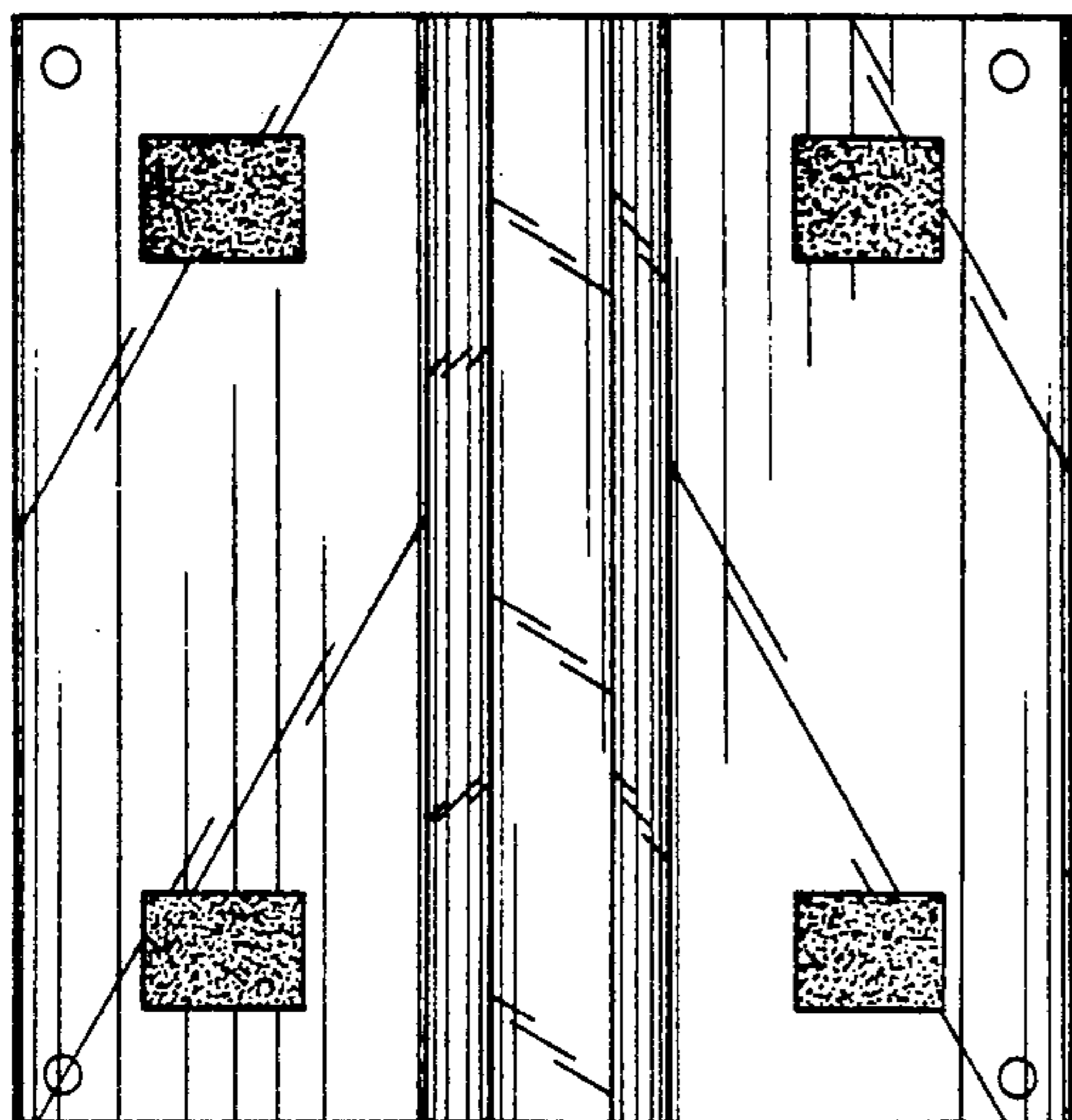


Fig 6

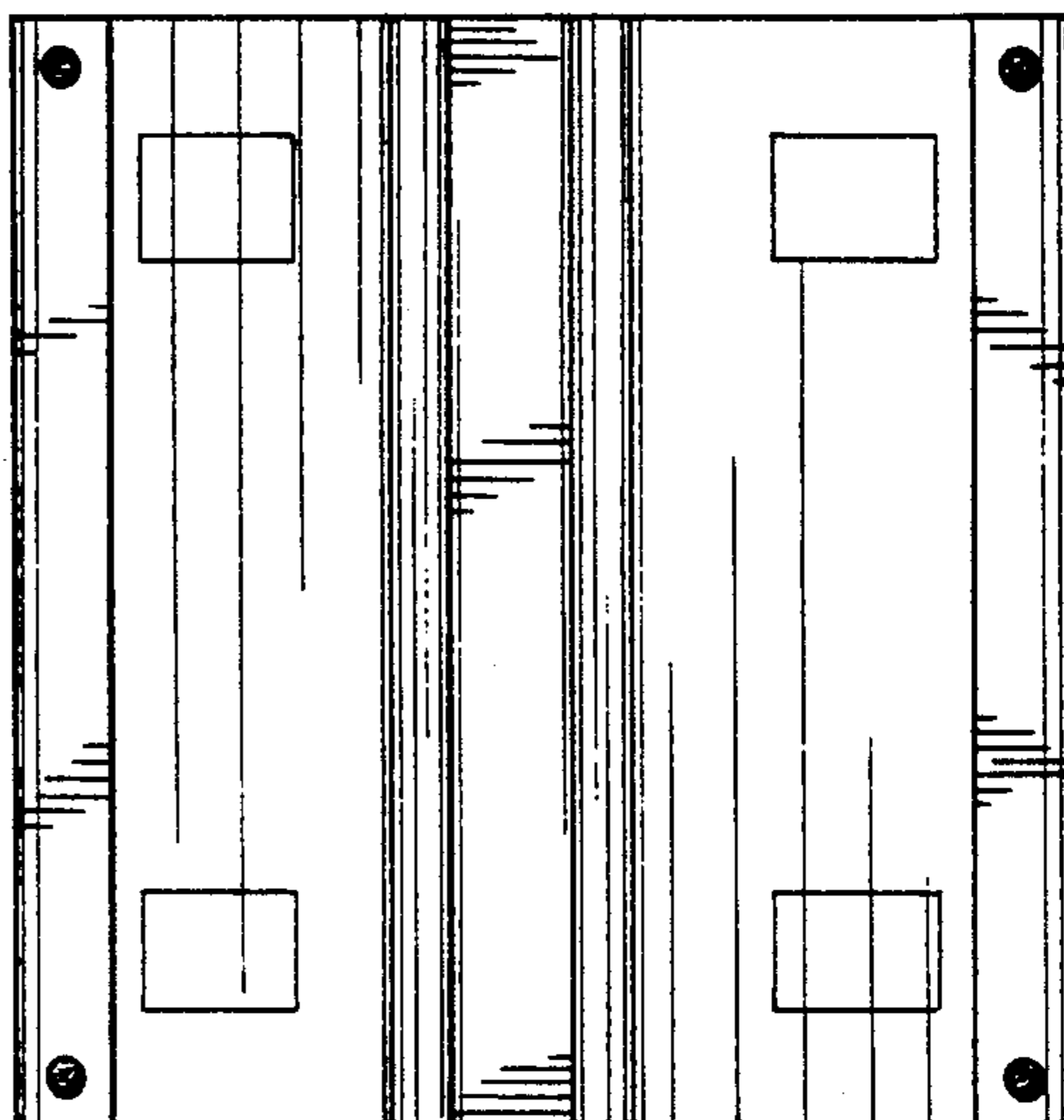


Fig 7

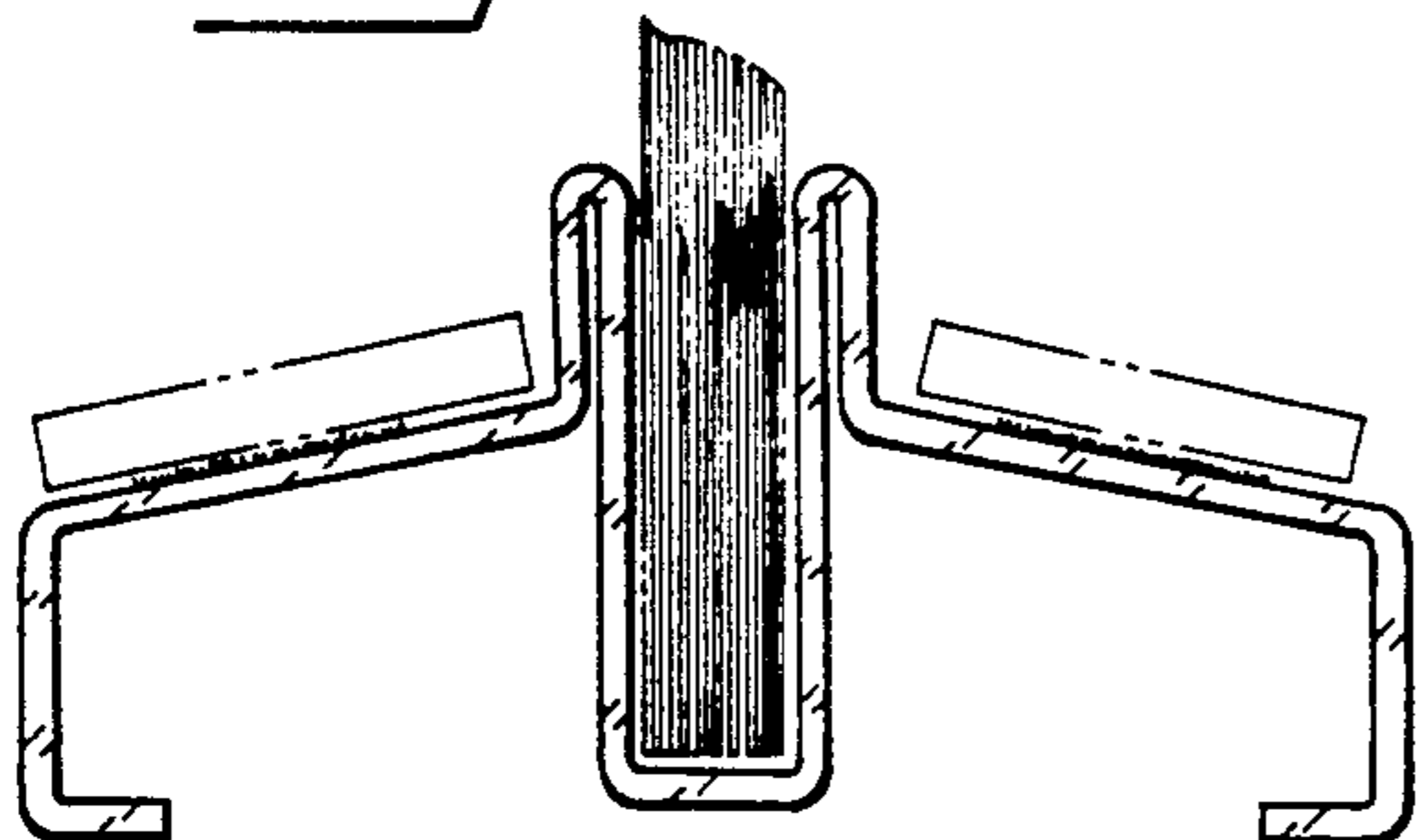


Fig 8

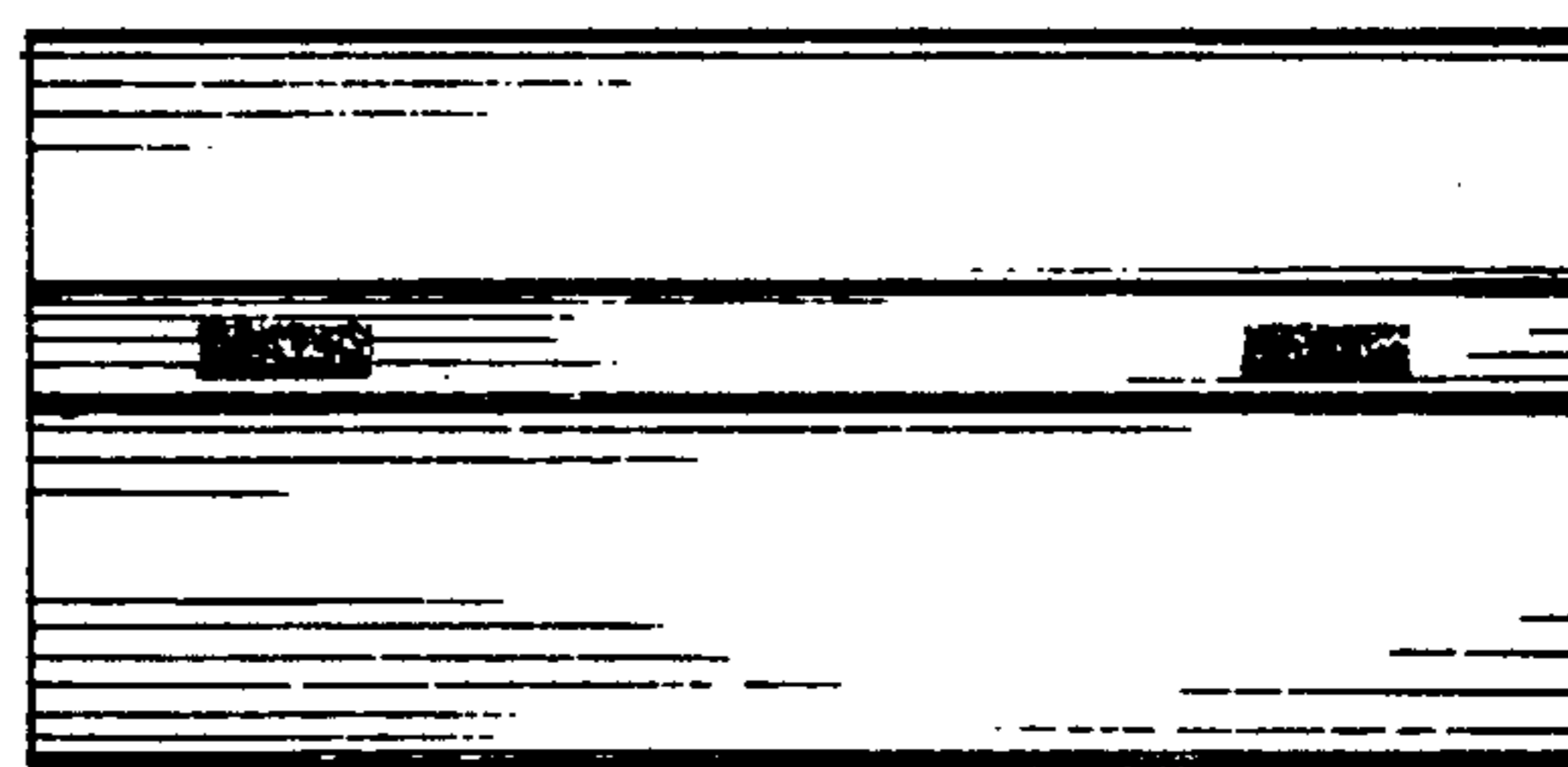


Fig 9

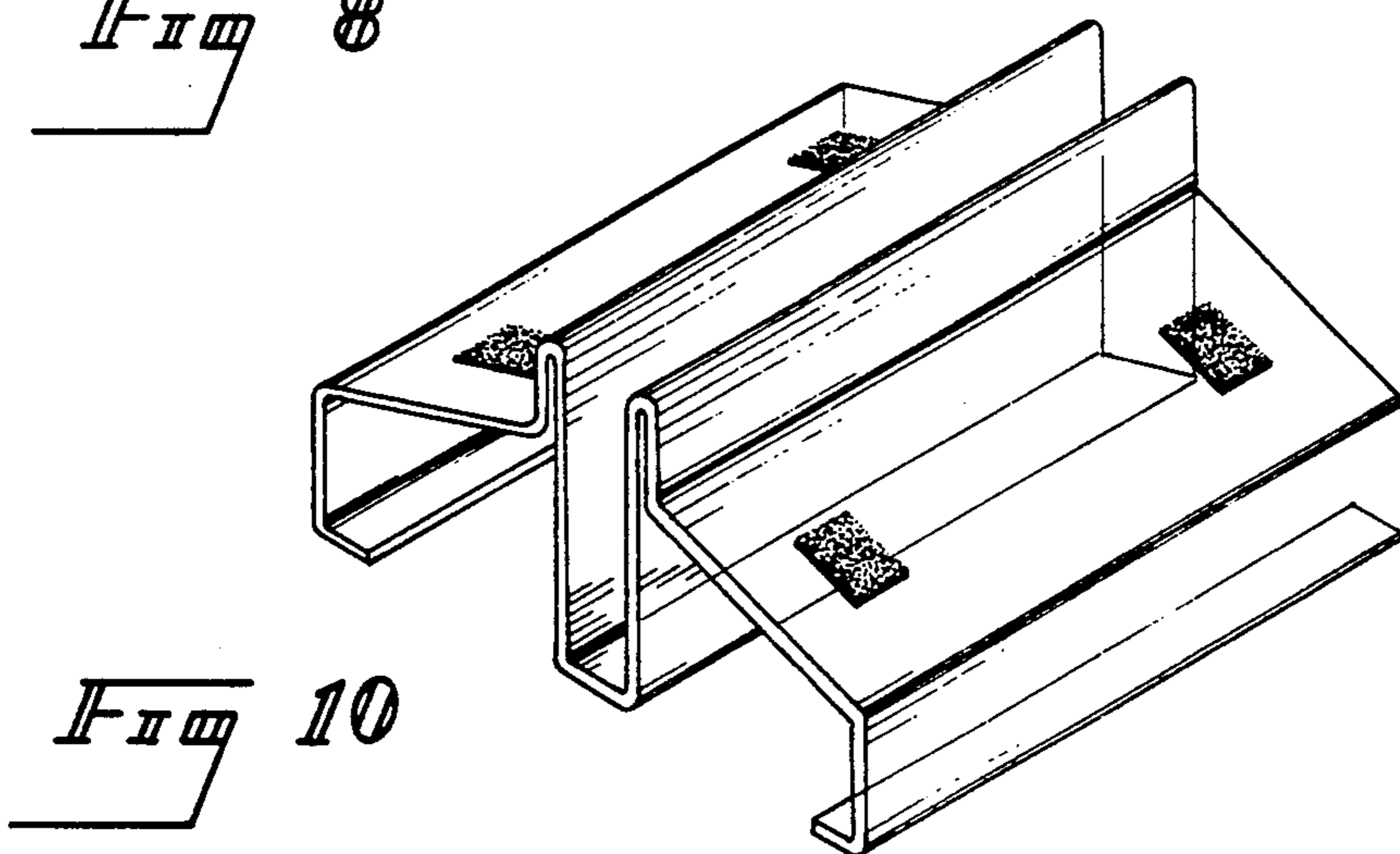


Fig 10