



US00D330471S

United States Patent [19]

[11] Patent Number: **Des. 330,471**

Rogers

[45] Date of Patent: **** Oct. 27, 1992**

[54] WIRE REEL HOLDER

[76] Inventor: **Ernest J. Rogers**, 13015 Fir Dr.,
Sonora, Calif. 95370

[**] Term: **14 Years**

[21] Appl. No.: **576,923**

[22] Filed: **Sep. 4, 1990**

[52] U.S. Cl. **D6/464; D6/429;**
D15/199

[58] Field of Search **D6/396, 397, 429-431,**
D6/462-465, 466-468, 475, 476, 491, 495;
D34/14, 17, 21, 28; D7/616, 618; D21/192,
194; D25/119; D15/133, 140, 141, 139, 199;
211/13, 41, 151, 23, 24, 74, 181, 182

[56] References Cited

U.S. PATENT DOCUMENTS

D. 122,929	10/1940	Seltzer	D6/464
D. 160,606	10/1950	Johnsen	D34/21 X
D. 164,528	9/1951	Voigt	D6/495
D. 194,573	2/1963	Ovendale	D6/429 X
D. 208,207	8/1967	Zeller	D34/21
D. 253,022	10/1979	Sligh	D6/464
D. 299,777	2/1989	Michau	D34/28 X
1,159,078	11/1915	Overpack	D6/467 X
3,095,975	7/1963	Cassel et al.	D6/431 X

OTHER PUBLICATIONS

Global Catalog ©1987, p. 20, various reel holders.
Global Catalog ©1987, p. 105, drum racks.
Metal Mouldings and Accessories, LOXIT, 2-16 1946,
p. 50 item AX-1123.

Primary Examiner—Donald P. Walsh
Assistant Examiner—Jeffrey Asch
Attorney, Agent, or Firm—Bernhard Kreten

[57] CLAIM

The ornamental design for a wire reel holder, as shown and described.

DESCRIPTION

FIG. 1 is a perspective view of a wire reel holder showing my new design, wherein the two moveable arms have been rotated to an open position;
FIG. 2 is a perspective view thereof; wherein the two movable arms have been rotated to a second open position;
FIG. 3 is an end elevational view, the opposite end being a mirror image thereof;
FIG. 4 is a side elevational view, the opposite side being a mirror image thereof;
FIG. 5 is a top plan view thereof; and,
FIG. 6 is a bottom plan view thereof.
The wire reels shown in FIGS. 1 and 2 by means of broken lines are for illustrative purposes only.

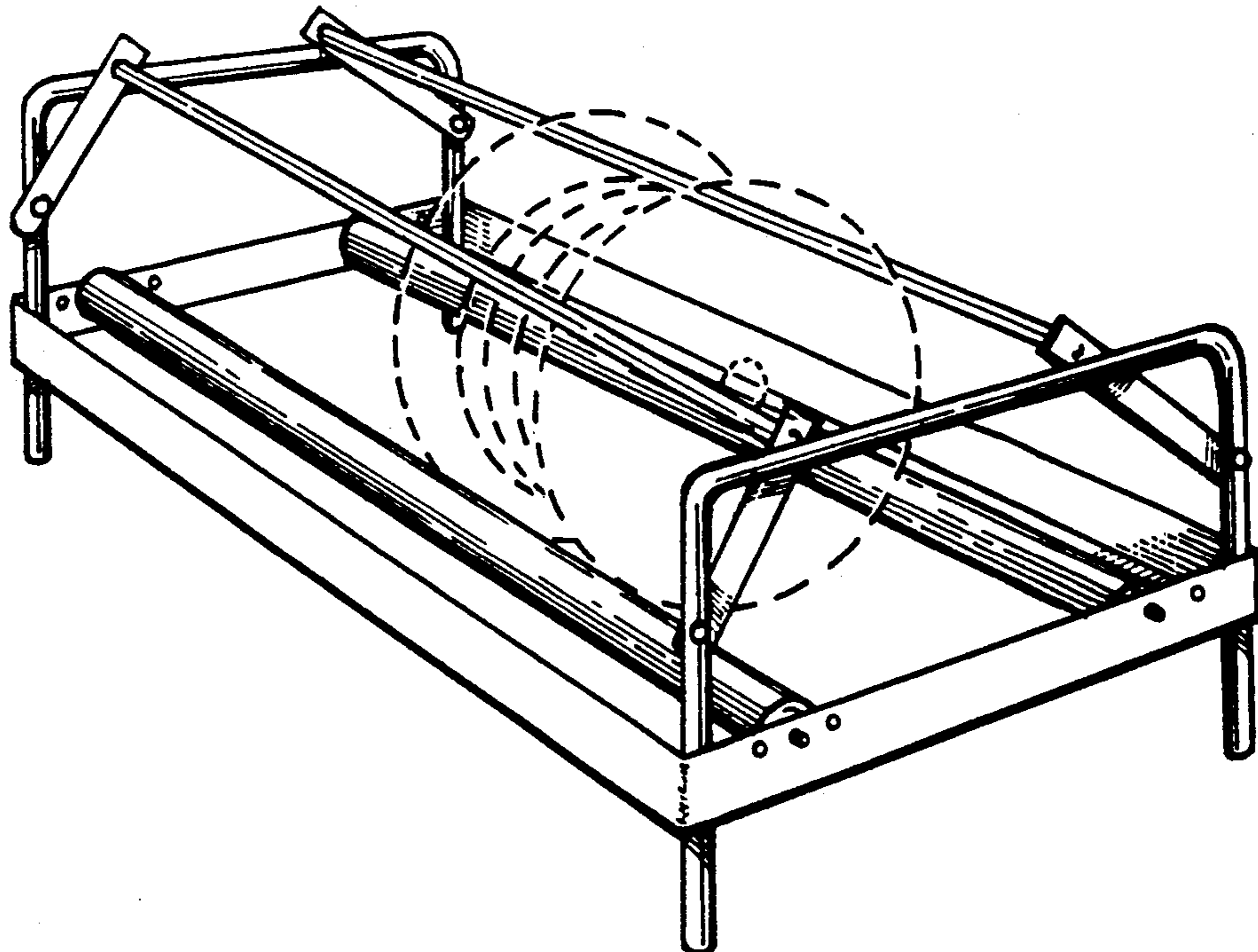


Fig. 1

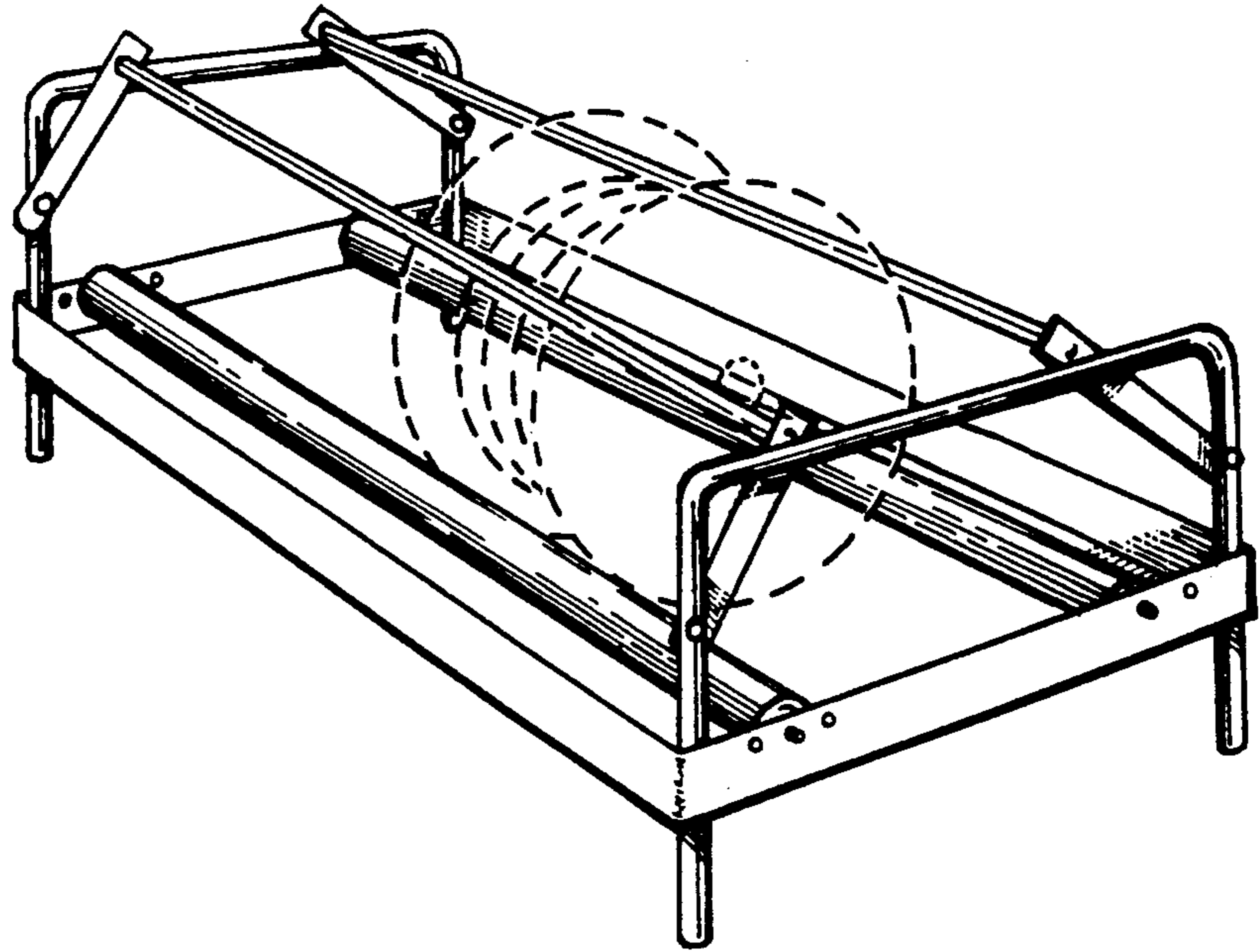


Fig. 2

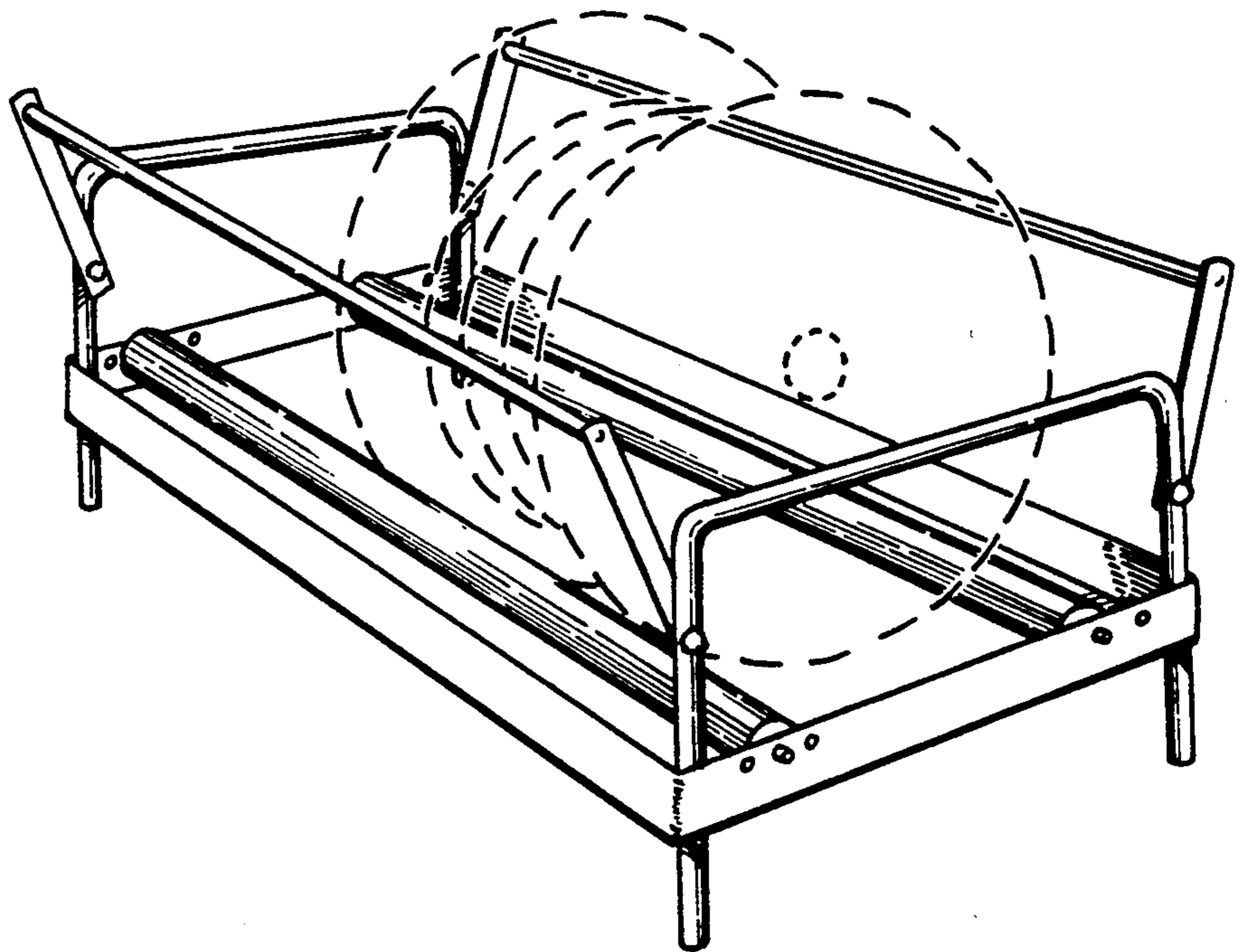


Fig. 3

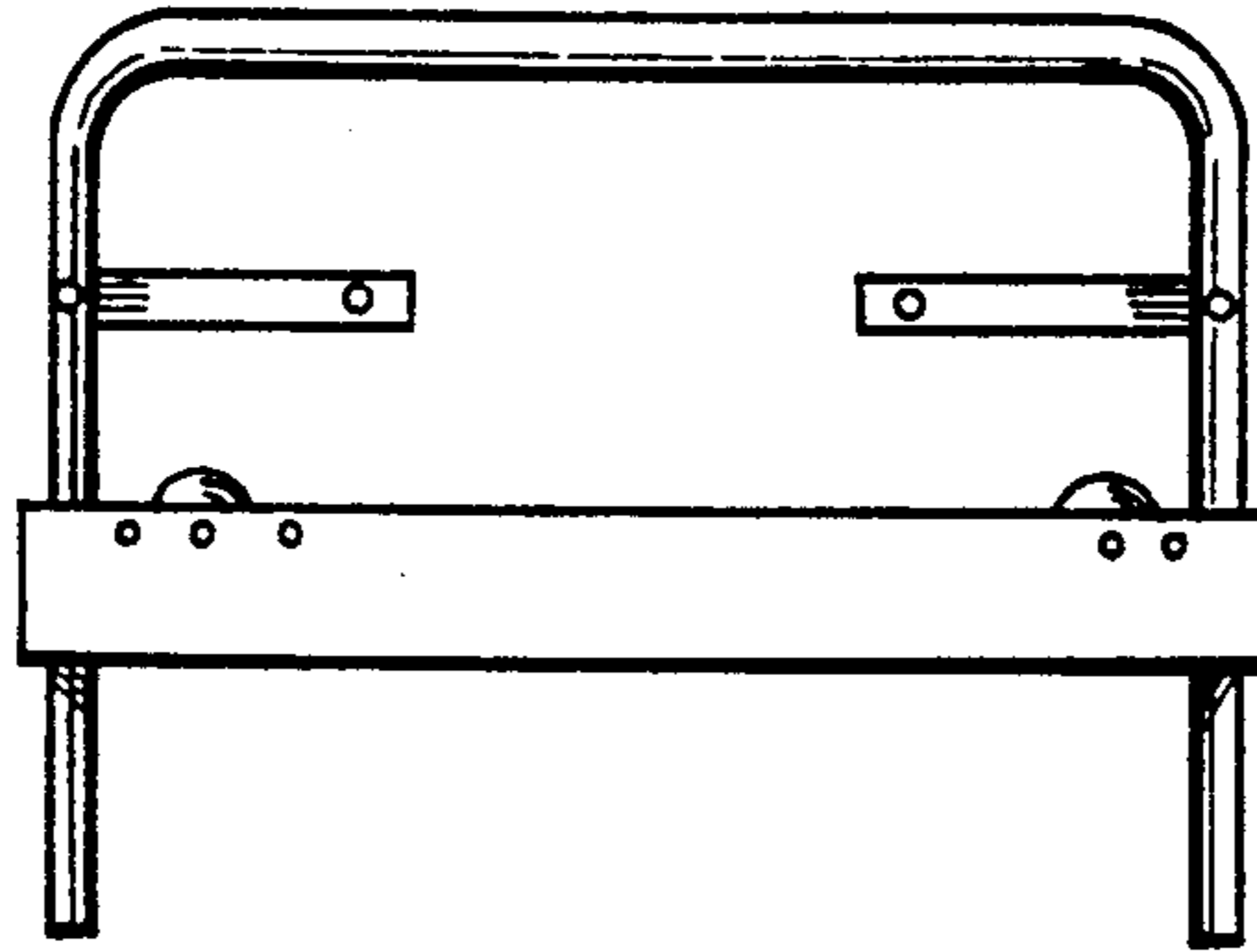


Fig. 4

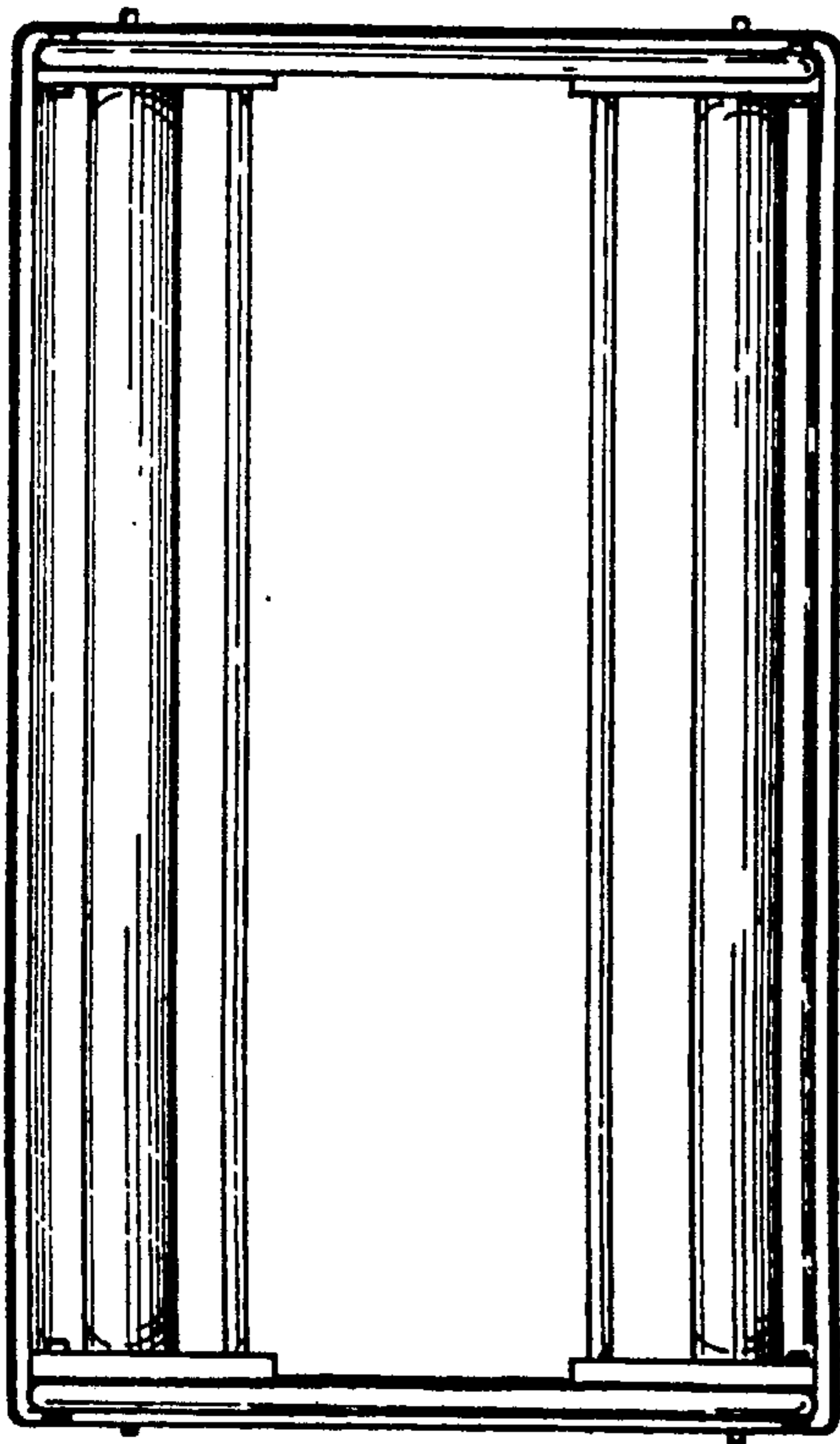
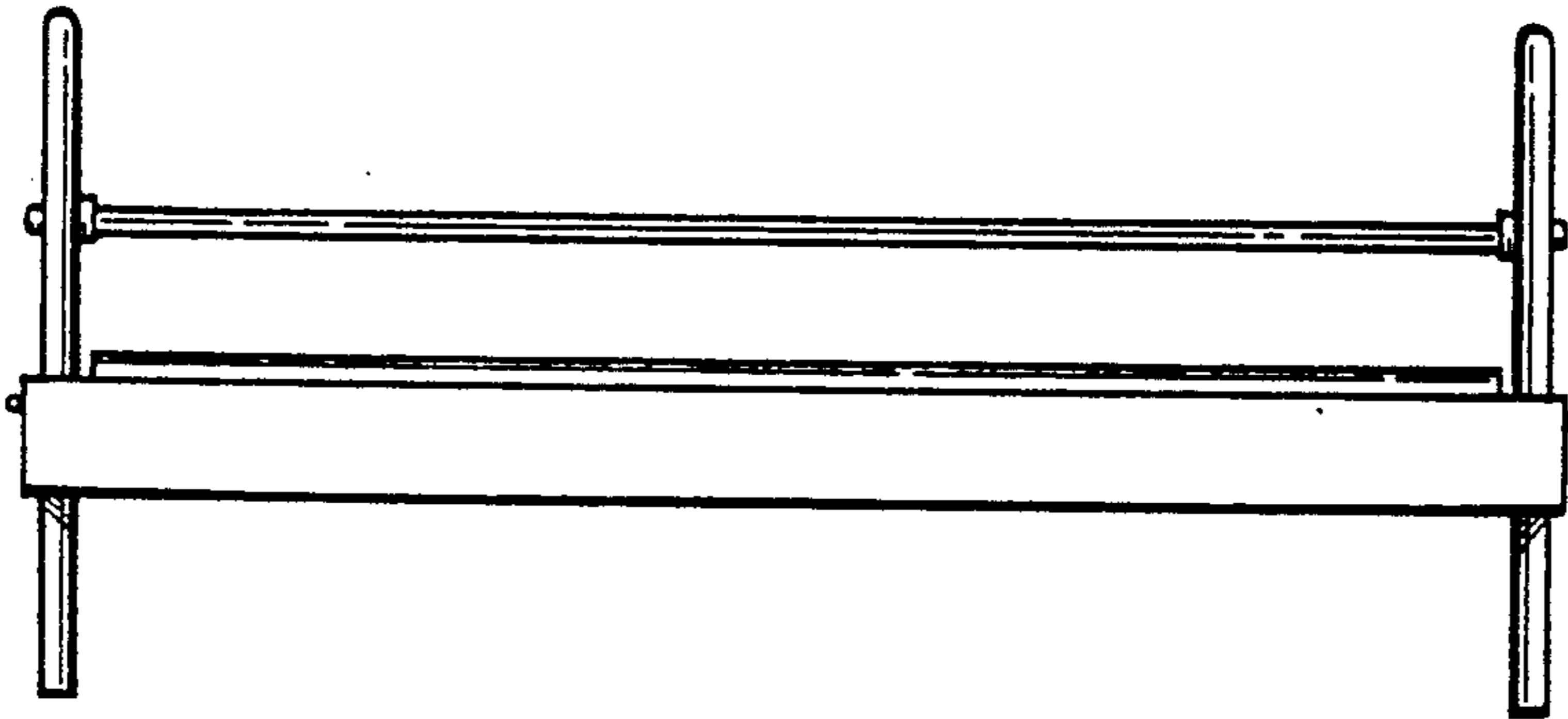


Fig. 5

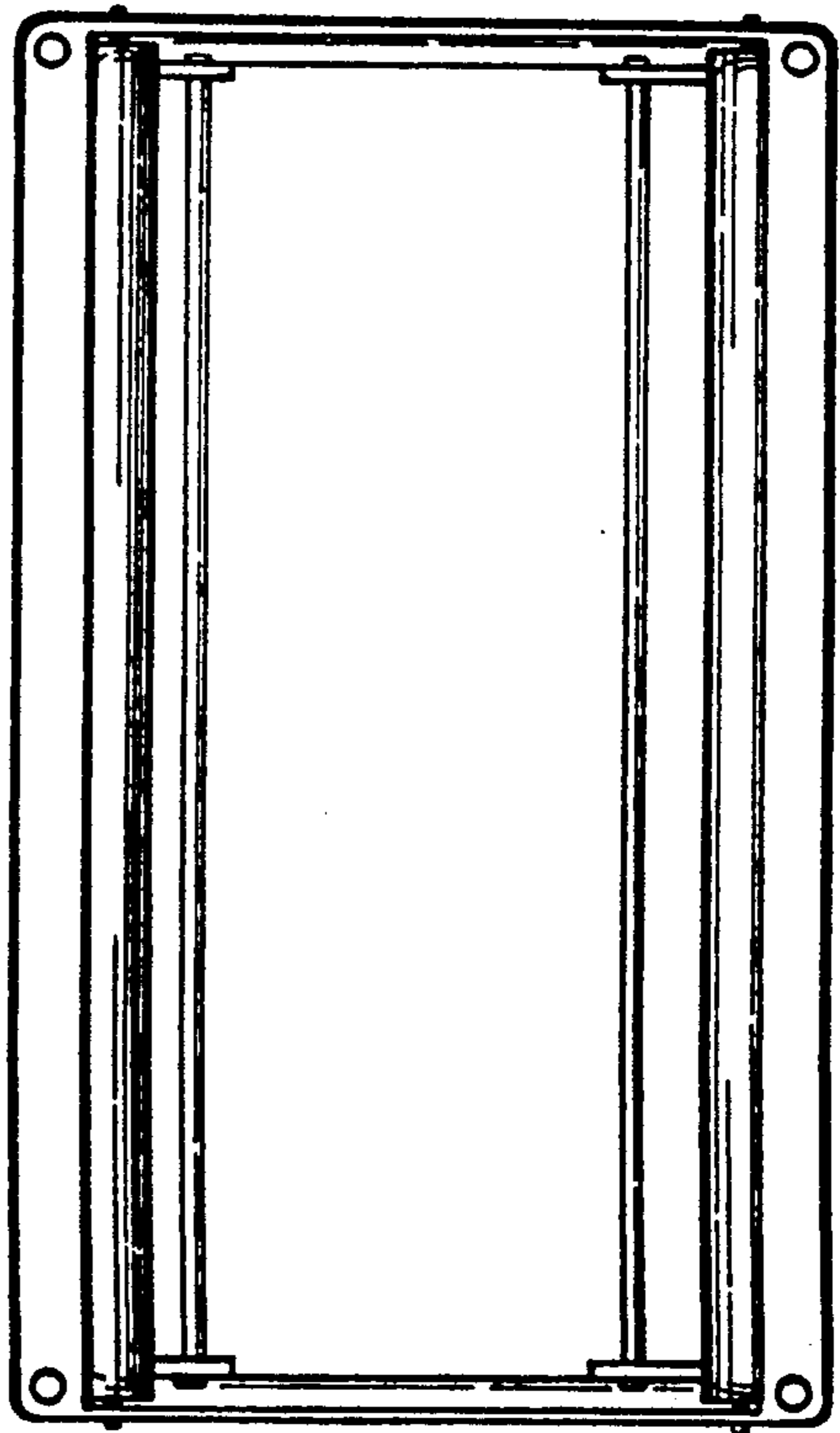


Fig. 6