



US00D330467S

United States Patent [19]

[11] Patent Number: **Des. 330,467**

Pons et al.

[45] Date of Patent: **** Oct. 27, 1992**

[54] **COMBINED SHELF UNIT AND SEAT FOR DATA PROCESSING**

[76] Inventors: **Max L. Pons; Jeannine G. Pons**, both of 87 Chemin du Quartier d'Espagne, Nimes (Gard), France

[**] Term: **14 Years**

[21] Appl. No.: **511,527**

[22] Filed: **May 17, 1990**

[52] U.S. Cl. **D6/397; D6/338; D6/422; D6/479**

[58] Field of Search **D6/420-428, D6/338, 419, 330, 397, 477, 478, 479; 312/194-196; 108/59, 60, 61, 64; 160/135, 351; 52/239, 36**

[56] **References Cited**

U.S. PATENT DOCUMENTS

- D. 106,184 9/1937 Erickson D6/474
- D. 119,253 3/1940 Balleydier D6/420 X

- D. 140,992 4/1945 De Belling D6/338
- D. 225,796 1/1973 Helverson D6/420 X
- D. 279,740 7/1985 Slager D6/478
- D. 296,143 6/1988 Betters D6/474 X
- D. 318,963 8/1991 Haseke et al. D6/474
- 4,328,991 5/1982 Mengshoel et al. D6/330 X
- 4,526,422 7/1985 Mengshoel et al. 297/243

OTHER PUBLICATIONS

Ikea 1988, p. 47; Shelf Unit on page.

Primary Examiner—Carmen H. Vales-Lado
Attorney, Agent, or Firm—Harrison & Egbert

[57] CLAIM

The ornamental design for a combined shelf unit and seat for data processing, as shown and described.

DESCRIPTION

FIG. 1 is a perspective view of a combined shelf unit and seat for data processing showing our new design; FIG. 2 is a right side elevational view thereof; FIG. 3 is a rear elevational view thereof; and, FIG. 4 is a top plan view thereof.

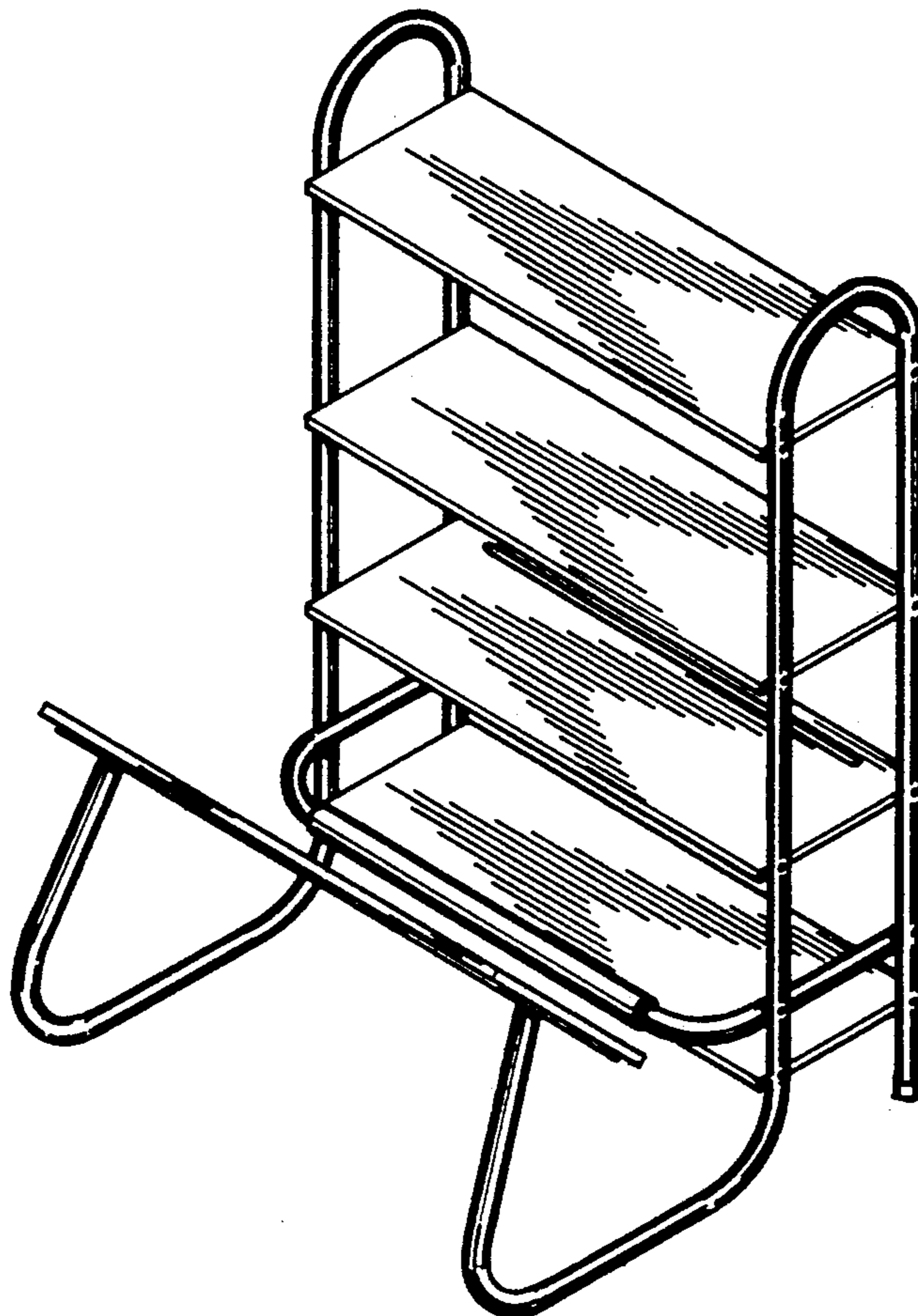


FIG. 1

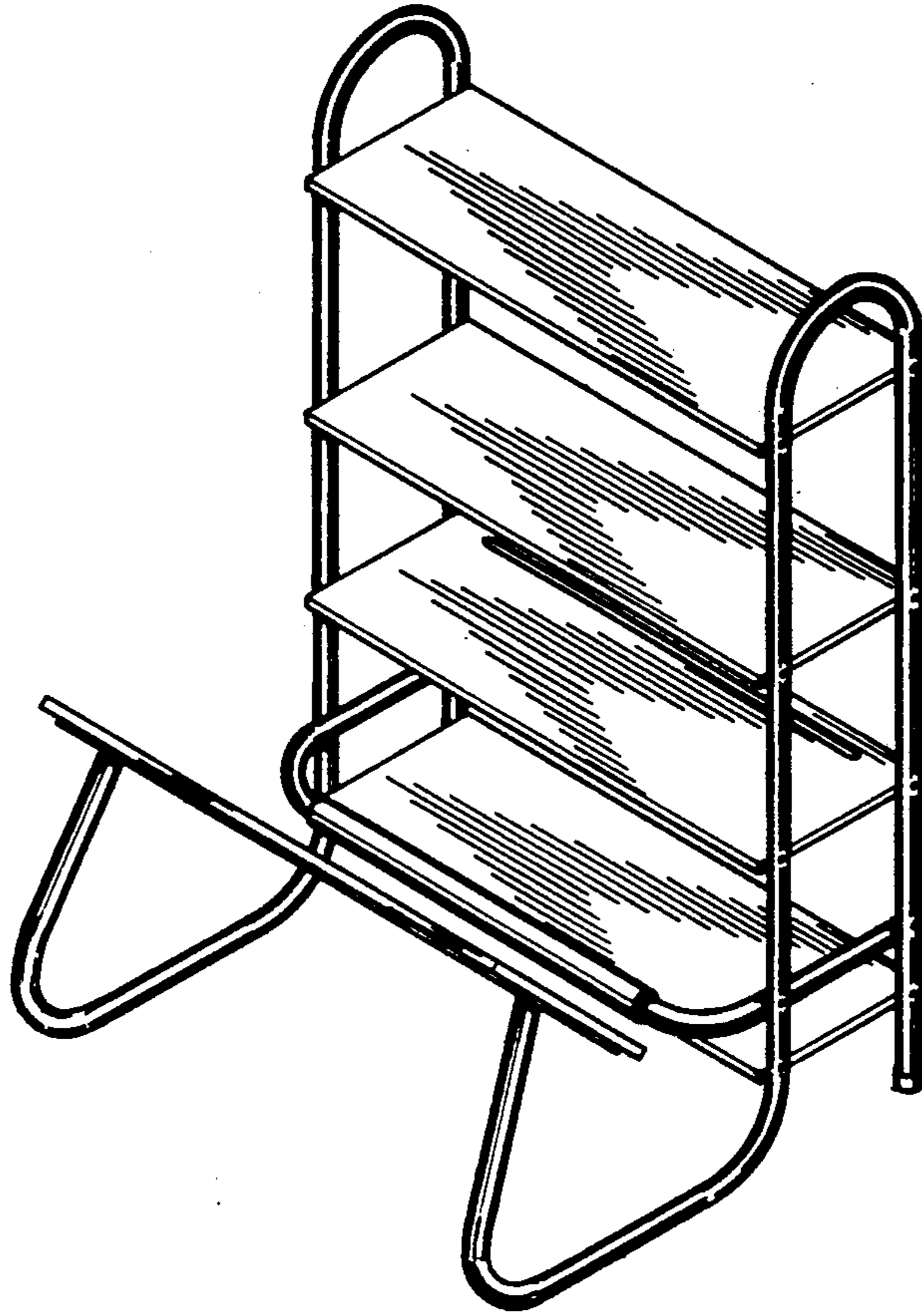


FIG. 2

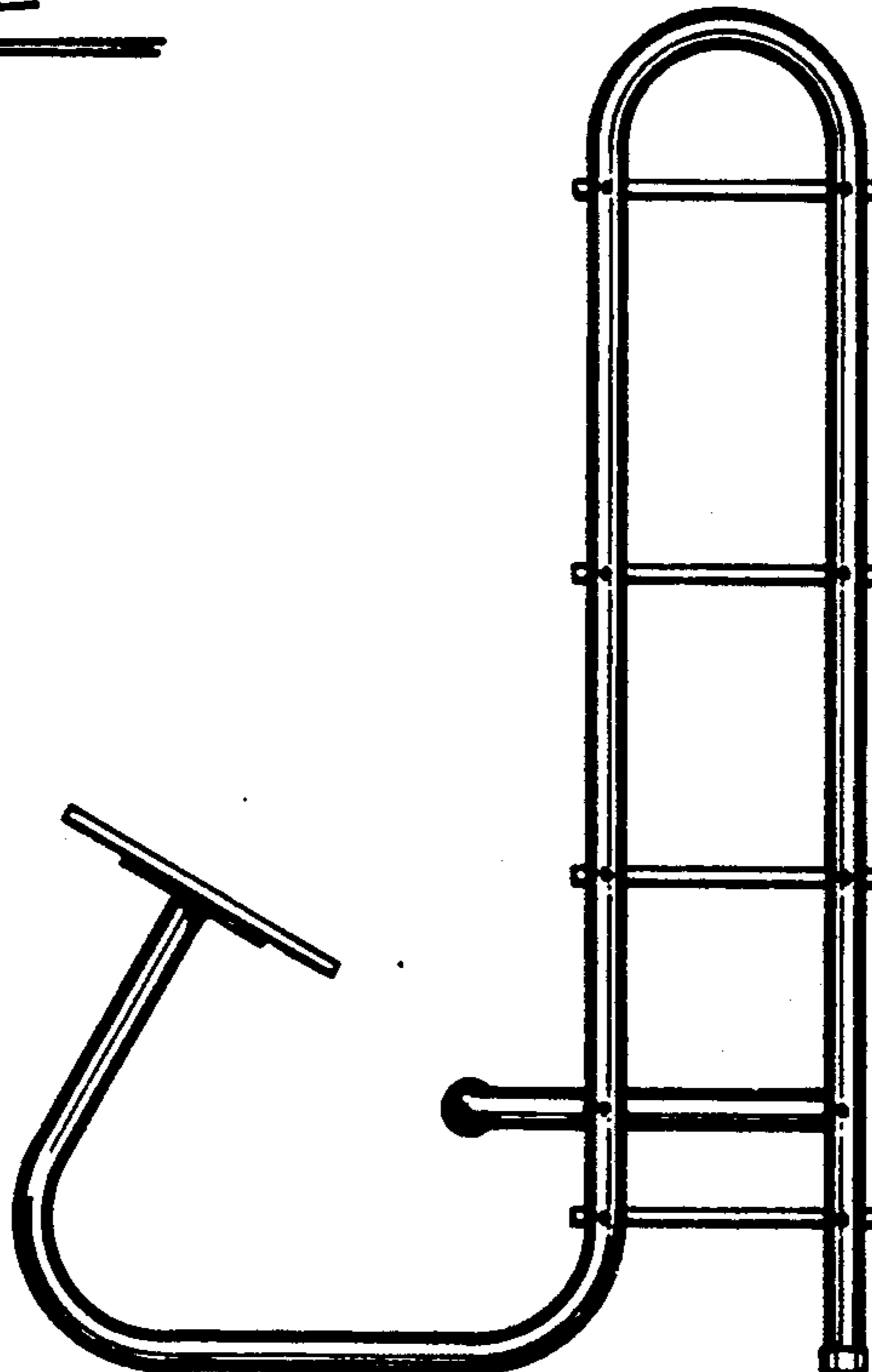


FIG. 3

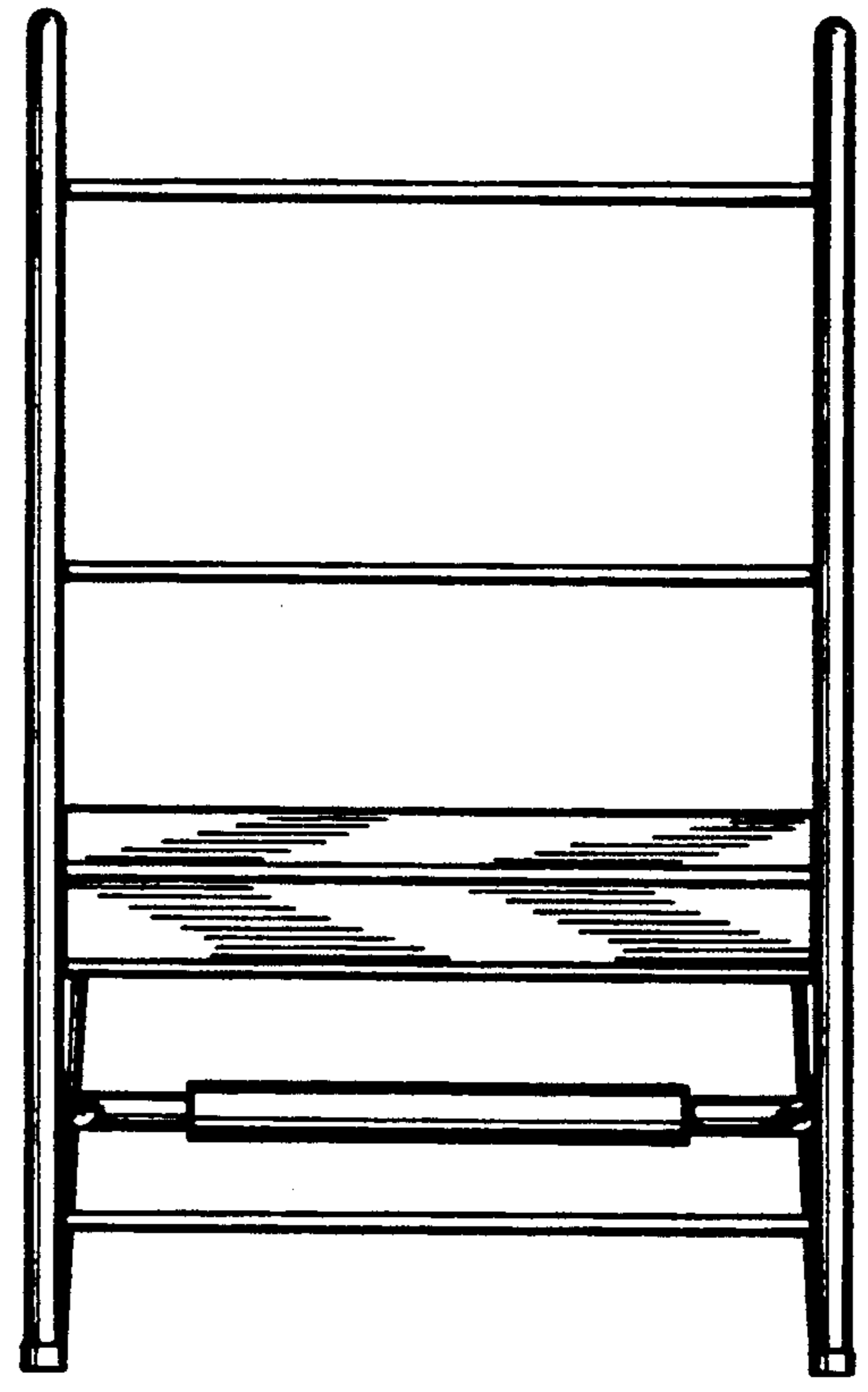


FIG. 4

