



US00D330464S

United States Patent [19]

Dettinger

[11] Patent Number: **Des. 330,464**

[45] Date of Patent: **** Oct. 27, 1992**

[54] **ADJUSTABLE SETTEE**

[76] Inventor: **Ernst M. Dettinger, Maria Eich**
Strasse 52A, D-8032 Graefelfing B.
Munchen, Fed. Rep. of Germany

[**] Term: **14 Years**

[21] Appl. No.: **830,283**

[22] Filed: **Feb. 5, 1992**

Related U.S. Application Data

- [62] Division of Ser. No. 327,957, Mar. 23, 1989.
- [52] U.S. Cl. **D6/367; D6/334; D6/335; D6/381**
- [58] Field of Search **D6/334, 335, 367, 368, D6/378, 381, 500**

[56] References Cited

U.S. PATENT DOCUMENTS

- D. 80,599 3/1930 Bernhard D6/381
- D. 132,944 7/1942 Jackson D6/381
- D. 245,953 10/1977 Mathur D6/334
- D. 252,484 7/1979 Petersilie D6/381
- D. 255,846 7/1980 Bick D6/334

- D. 303,326 9/1989 Heimberger D6/334
- D. 314,473 2/1991 Culler D6/381 X
- 3,002,787 10/1961 Ziegenfuss D6/381 X

OTHER PUBLICATIONS

Carson's, Chair #57155 at left.
Interiors, Jul. 1986, p. 182, Chair at bottom left.
Schöner Wohnen, Jun. 1987, p. 20, Chair at bottom left.

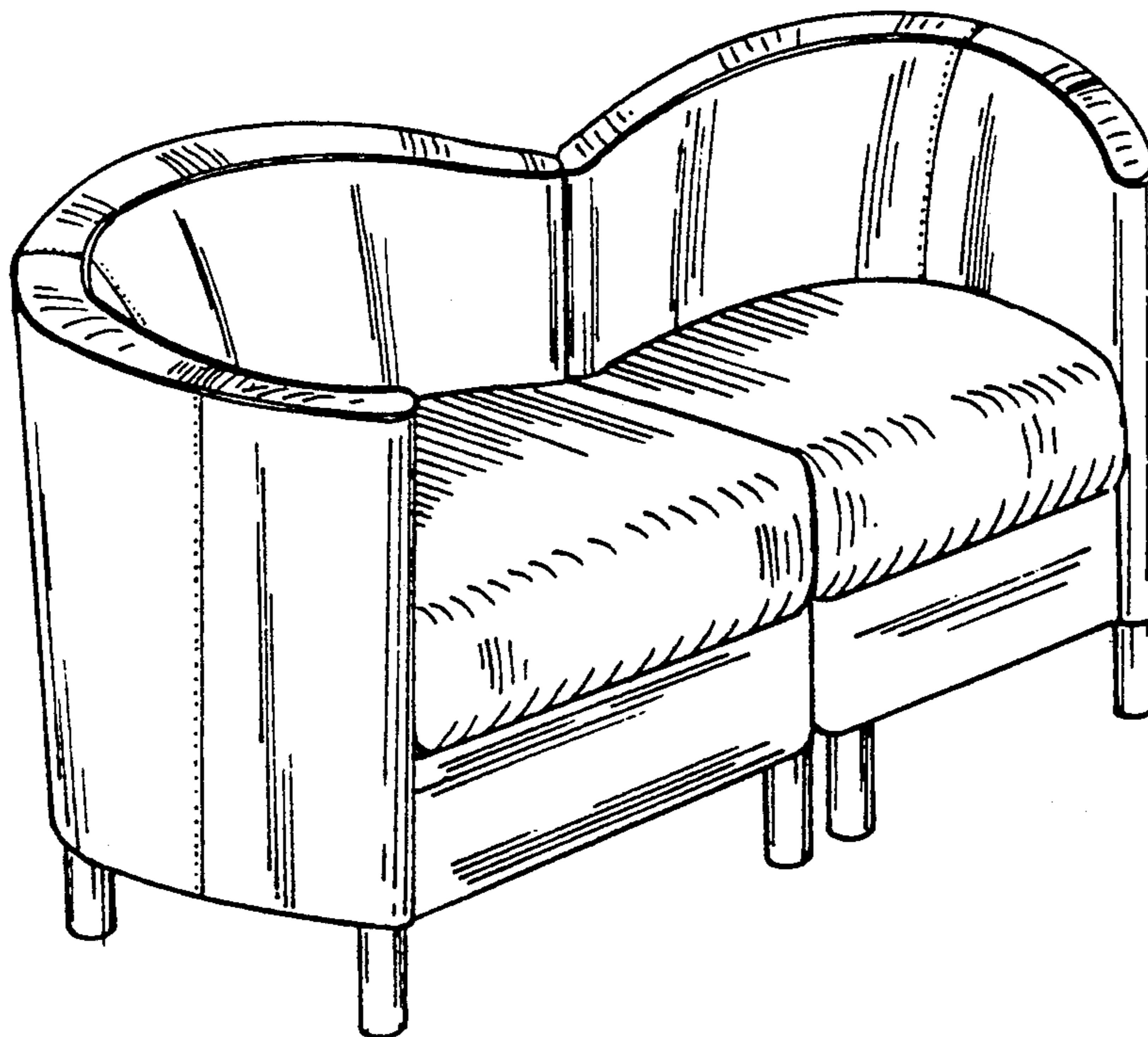
Primary Examiner—Donald P. Walsh
Assistant Examiner—Gary D. Watson
Attorney, Agent, or Firm—Rhodes, Coats & Bennett

[57] CLAIM

The ornamental design for an adjustable settee, as shown and described.

DESCRIPTION

FIG. 1 is a left-front perspective view of an adjustable settee showing my new design;
FIG. 2 is a top plan view;
FIG. 3 is a top plan view showing the adjustable settee in an alternate position;
FIG. 4 is a front elevational view;
FIG. 5 is a rear elevational view of FIG. 1; and,
FIG. 6 is a right side elevational view thereof.



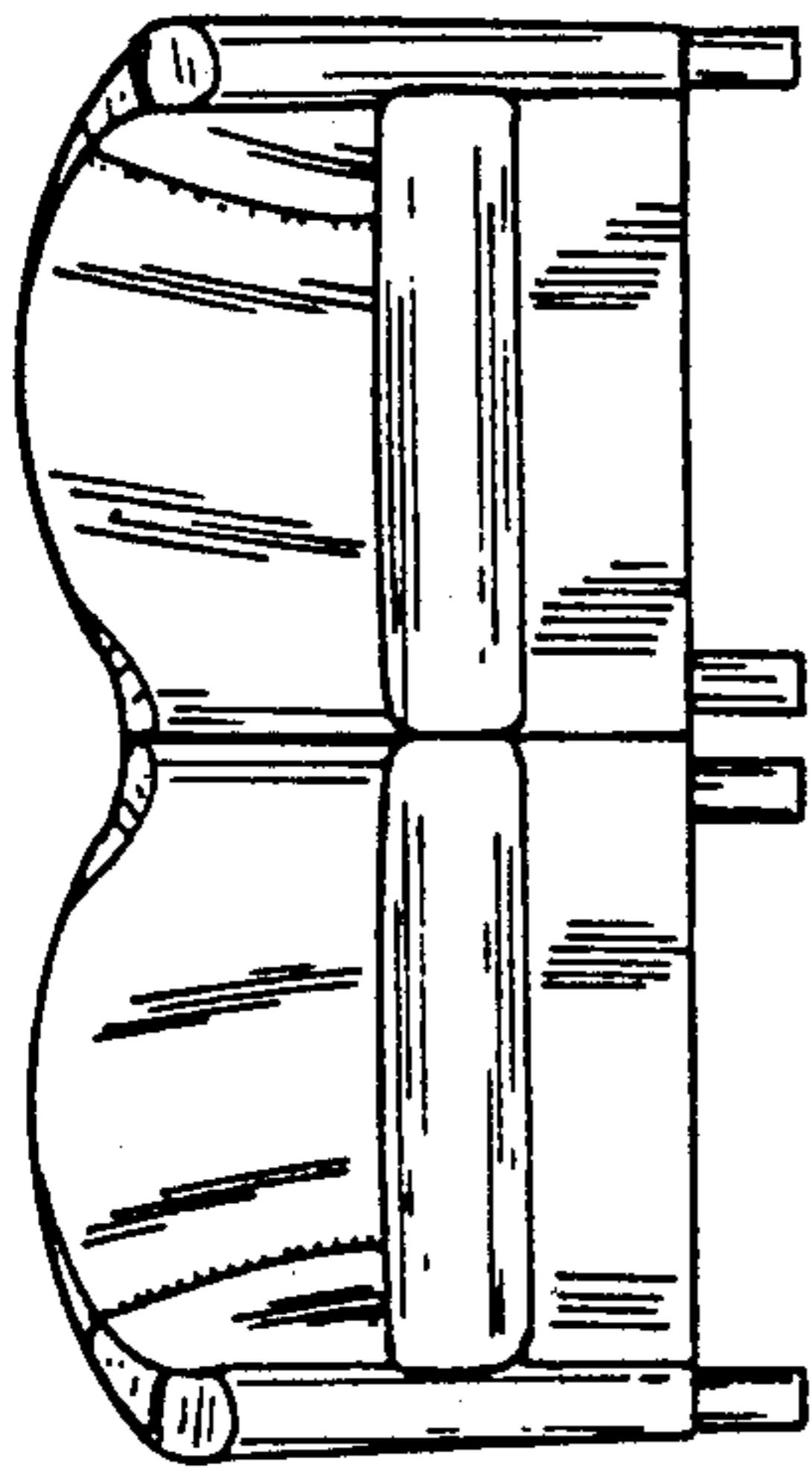


FIG. 4

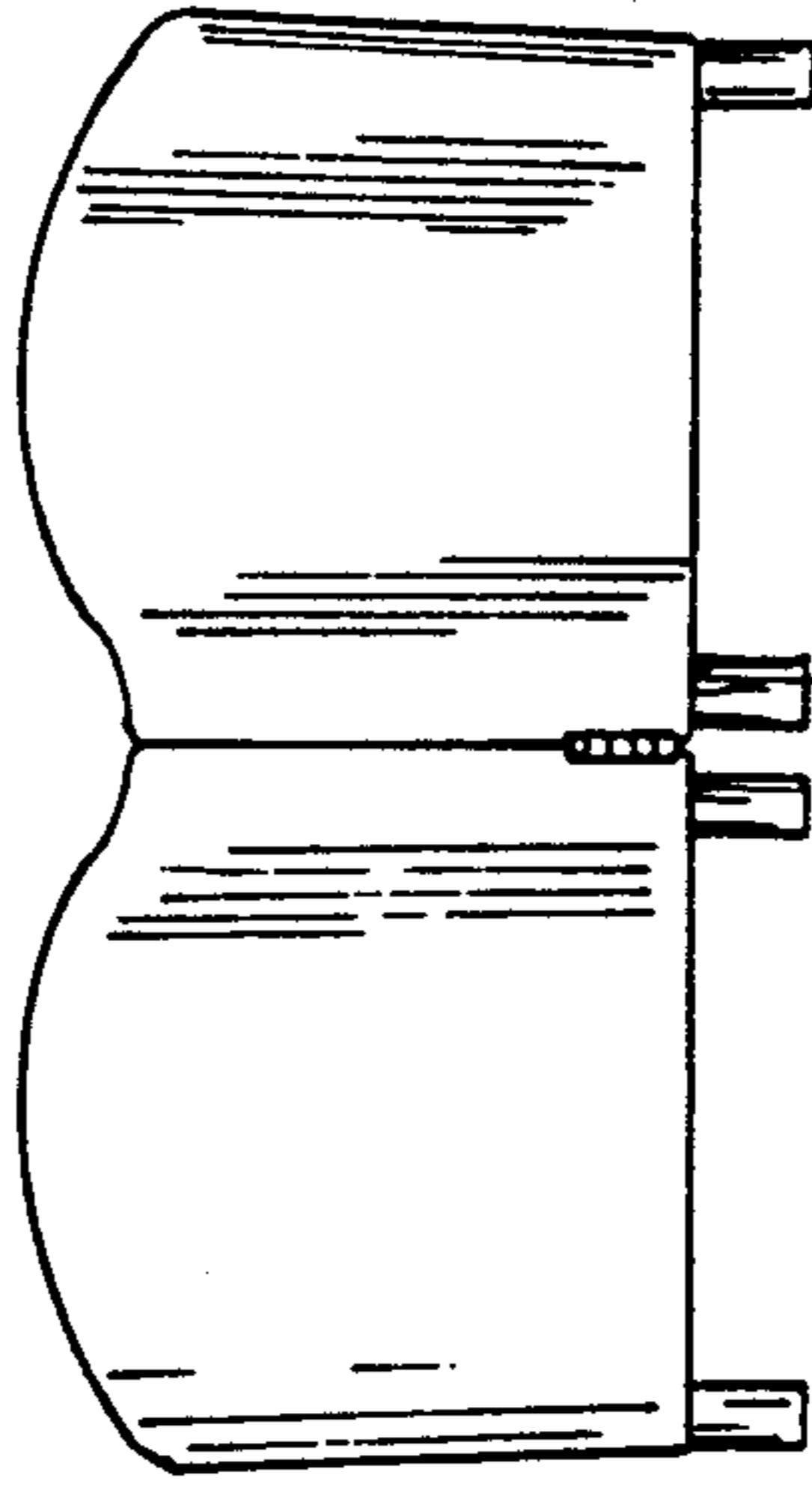


FIG. 5

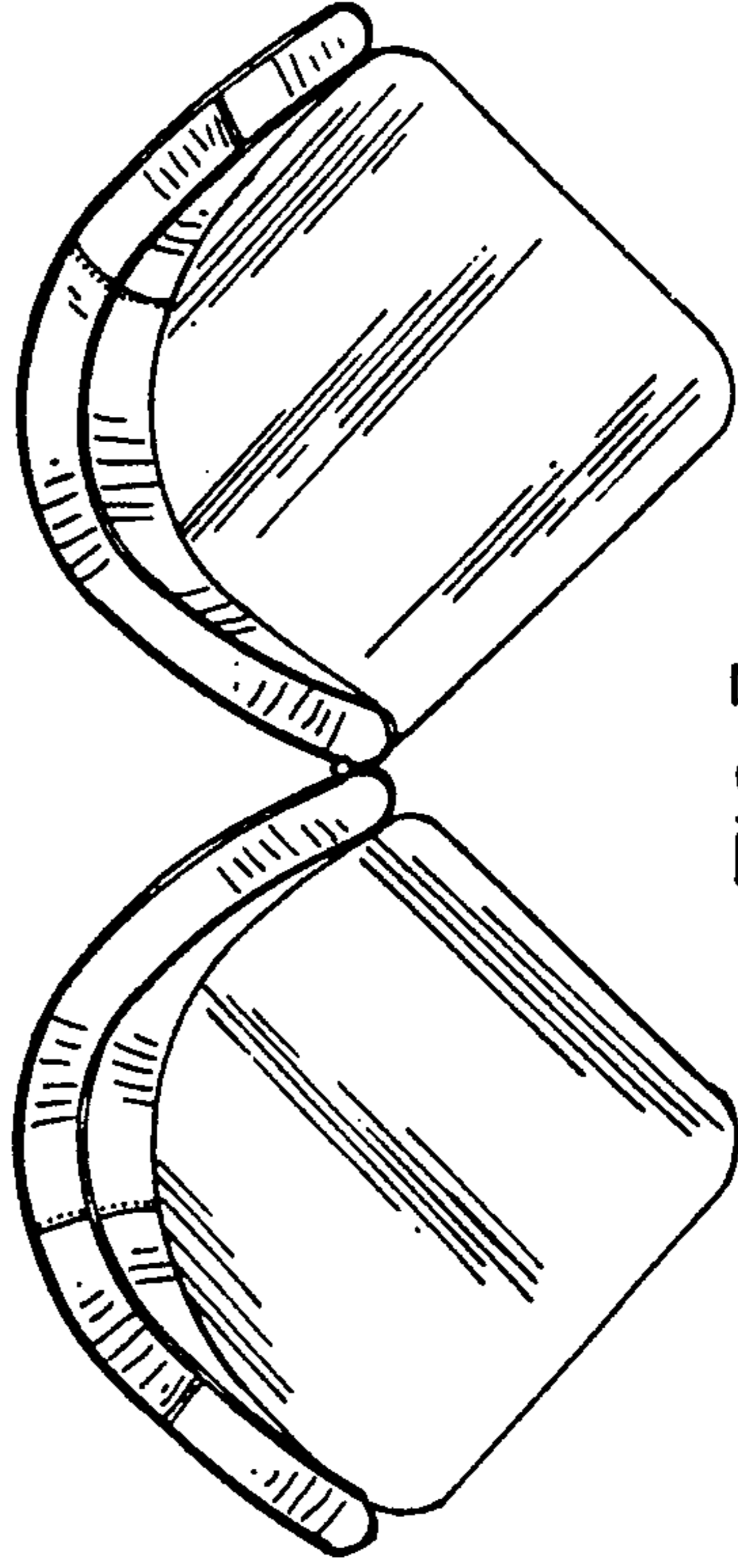


FIG. 3

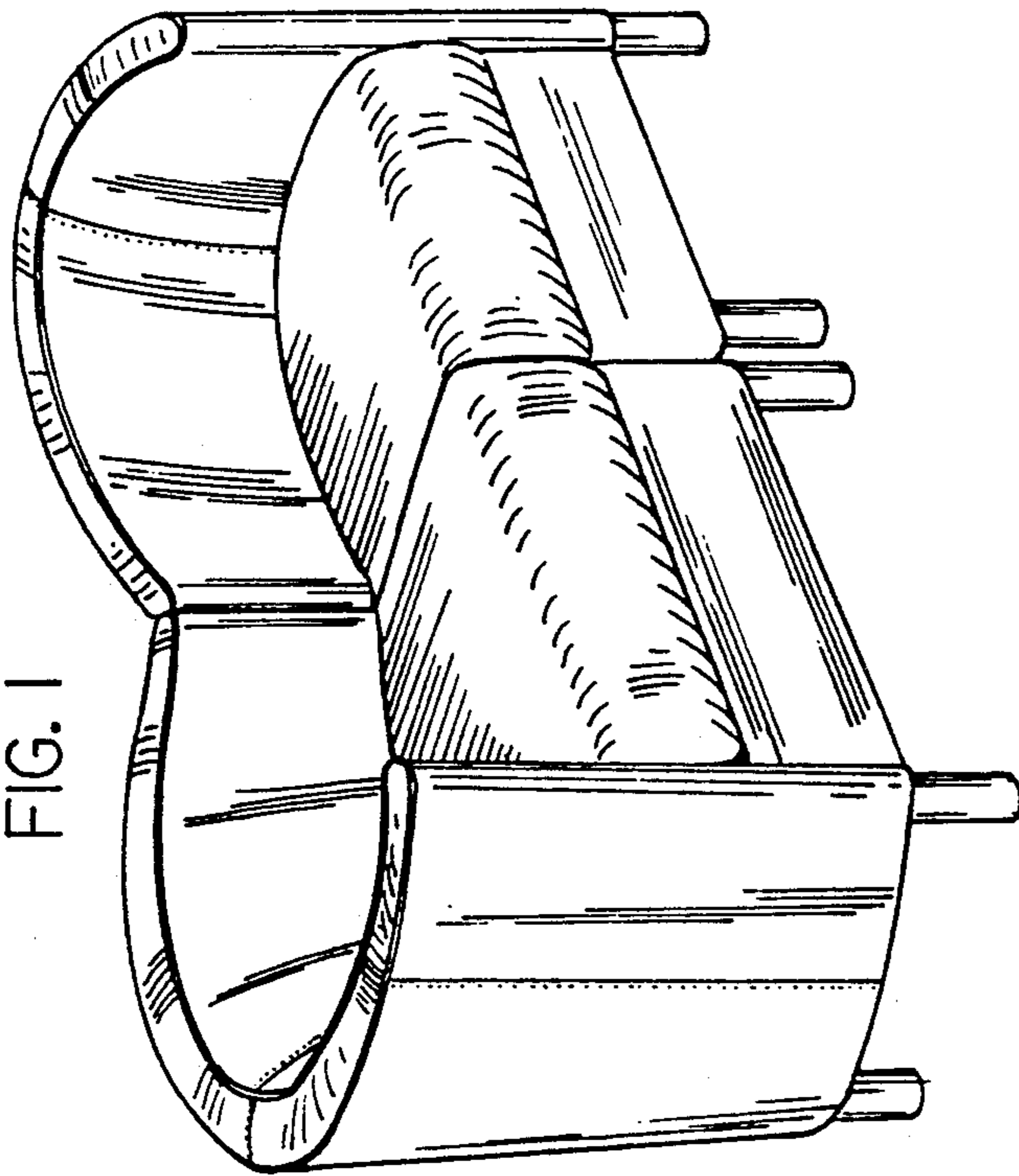


FIG. 1

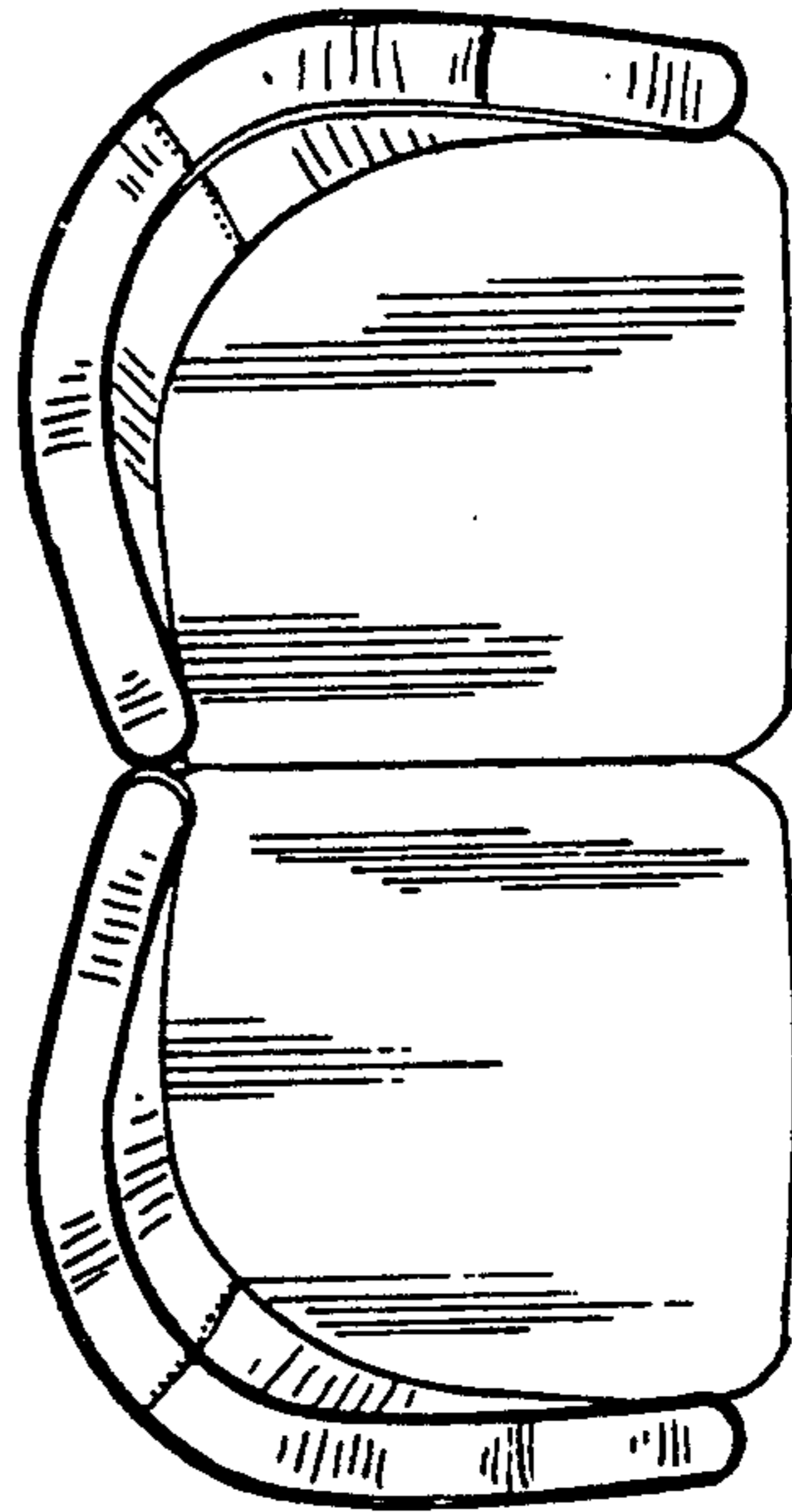


FIG. 2

