



US00D330463S

# United States Patent [19]

[11] Patent Number: **Des. 330,463**

**Tonon**

[45] Date of Patent: **\*\* Oct. 27, 1992**

[54] **CHAIR**

[75] Inventor: **Sandro Tonon, Udine, Italy**

[73] Assignee: **SpA Tonon & C., Italy**

[\*\*] Term: **14 Years**

[21] Appl. No.: **417,006**

[22] Filed: **Oct. 4, 1989**

[30] **Foreign Application Priority Data**

Apr. 4, 1989 [IT] Italy ..... 60338/89[U]

[52] U.S. Cl. .... **D6/363; D6/370; D6/380**

[58] Field of Search ..... **D6/334, 363, 370, 374, D6/375, 379, 380, 500, 501**

[56] **References Cited**

**U.S. PATENT DOCUMENTS**

D. 293,518 1/1988 Tonon ..... D6/370

**OTHER PUBLICATIONS**

Interiors, May 1985, p. 100, chair at bottom left.

Schöner Wohnen, May 1985, p. 223, chair at bottom right.

Woodward & Lothrop, Fall 1985, chair in middle at bottom.

Woodward & Lothrop, 1985, chair at bottom left.

DFC catalog, 1985, chair in middle.

*Primary Examiner*—Donald P. Walsh

*Assistant Examiner*—Gary D. Watson

*Attorney, Agent, or Firm*—Antonelli, Terry, Stout & Kraus

[57] **CLAIM**

The ornamental design for a chair, as shown and described.

**DESCRIPTION**

FIG. 1 is a front perspective view of a chair showing my new design;

FIG. 2 is a rear perspective view;

FIG. 3 is a left side perspective view, the right side being a mirror image thereof;

FIG. 4 is a left-front perspective view;

FIG. 5 is a top plan view;

FIG. 6 is a bottom plan view thereof;

FIG. 7 is a front perspective view of a chair showing a second embodiment of my new design;

FIG. 8 is a rear perspective view of FIG. 7;

FIG. 9 is a left side perspective view of FIG. 7, the right side being a mirror image thereof;

FIG. 10 is a left-front perspective view of FIG. 7;

FIG. 11 is a top plan view of FIG. 7;

FIG. 12 is a bottom plan view of FIG. 7;

FIG. 13 is a front perspective view of a chair showing a third embodiment of my new design;

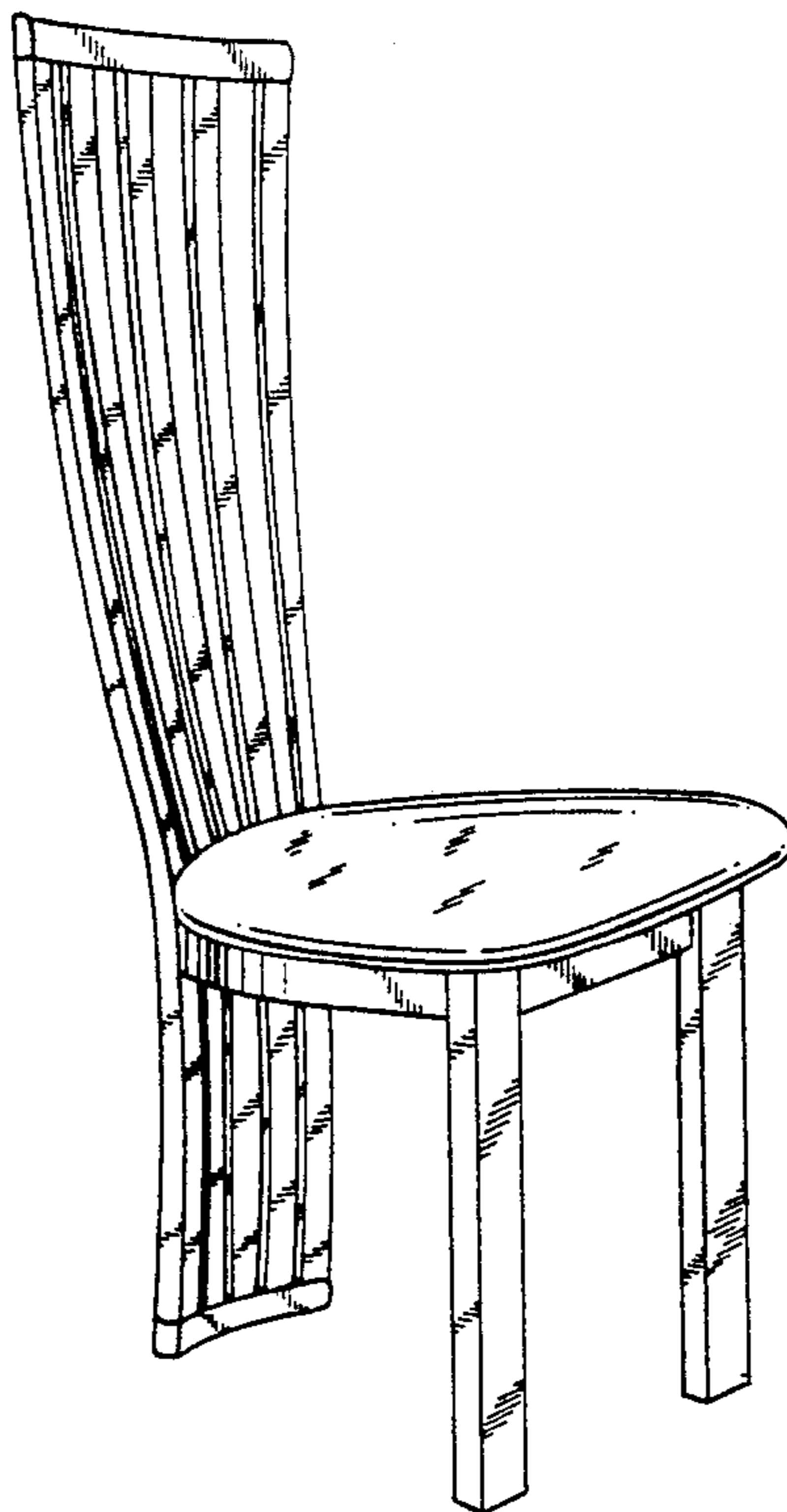
FIG. 14 is a rear perspective view of FIG. 13;

FIG. 15 is a left side perspective view of FIG. 13;

FIG. 16 is a left side perspective view of FIG. 13, the right side being a mirror image thereof;

FIG. 17 is a top plan view of FIG. 13; and,

FIG. 18 is a bottom plan view of FIG. 13.



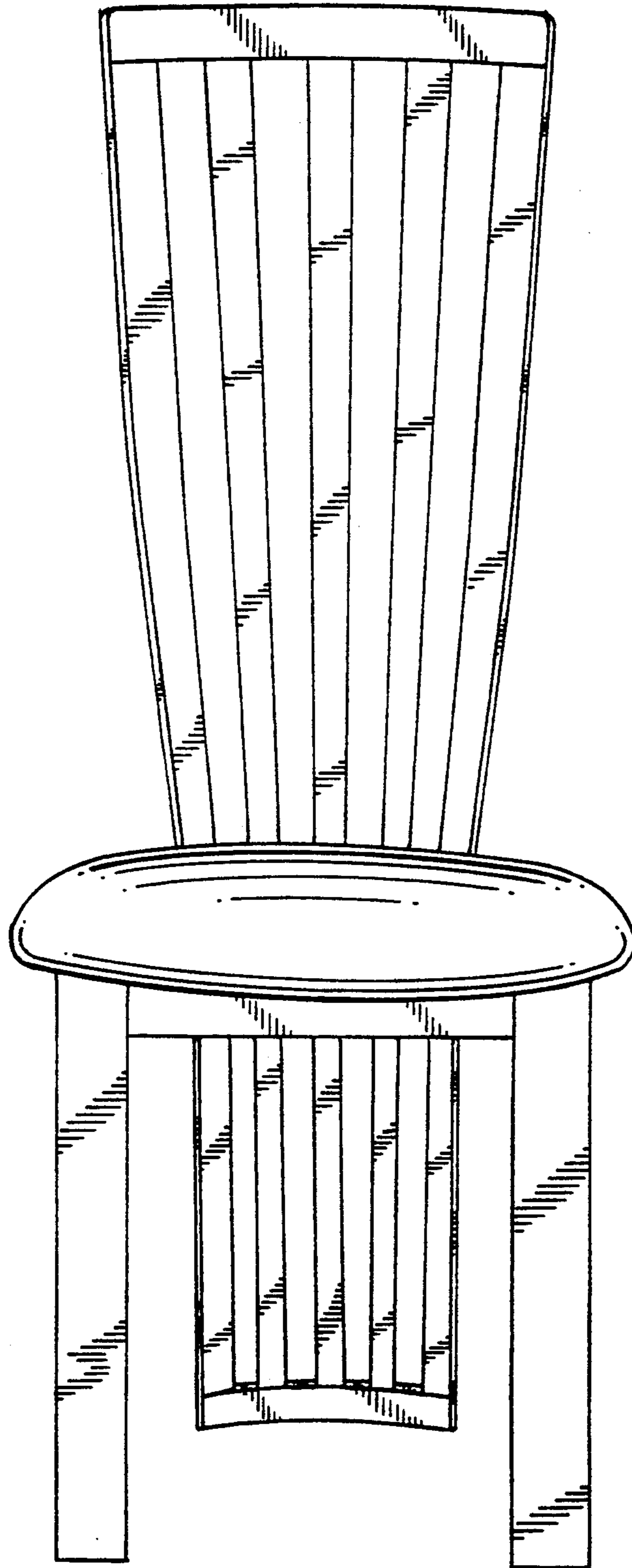


FIG. 1

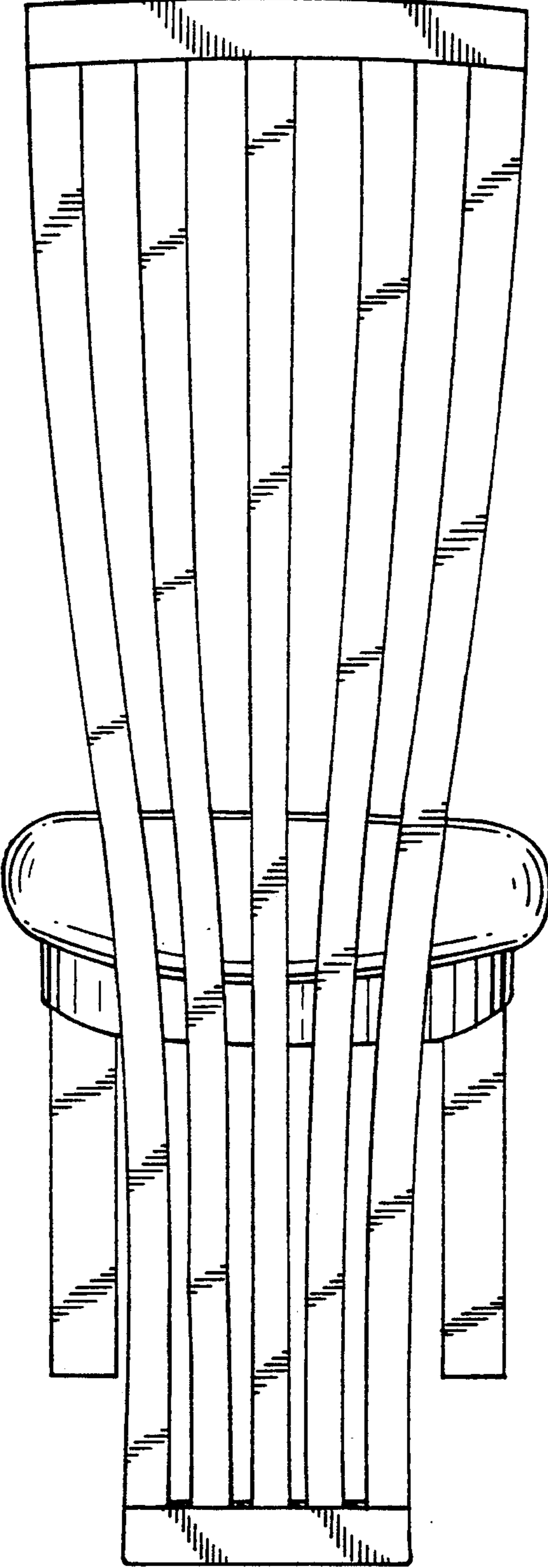


FIG. 2

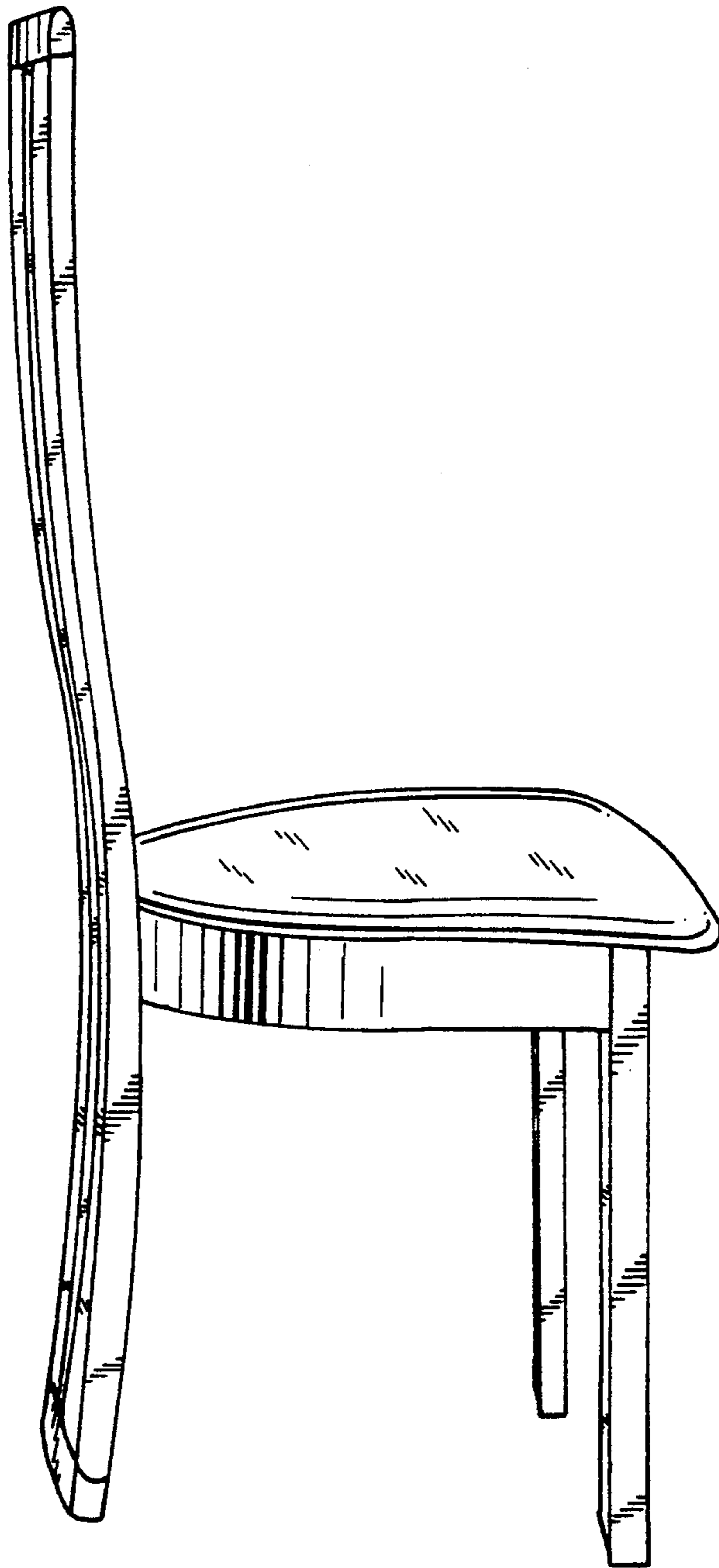


FIG. 3

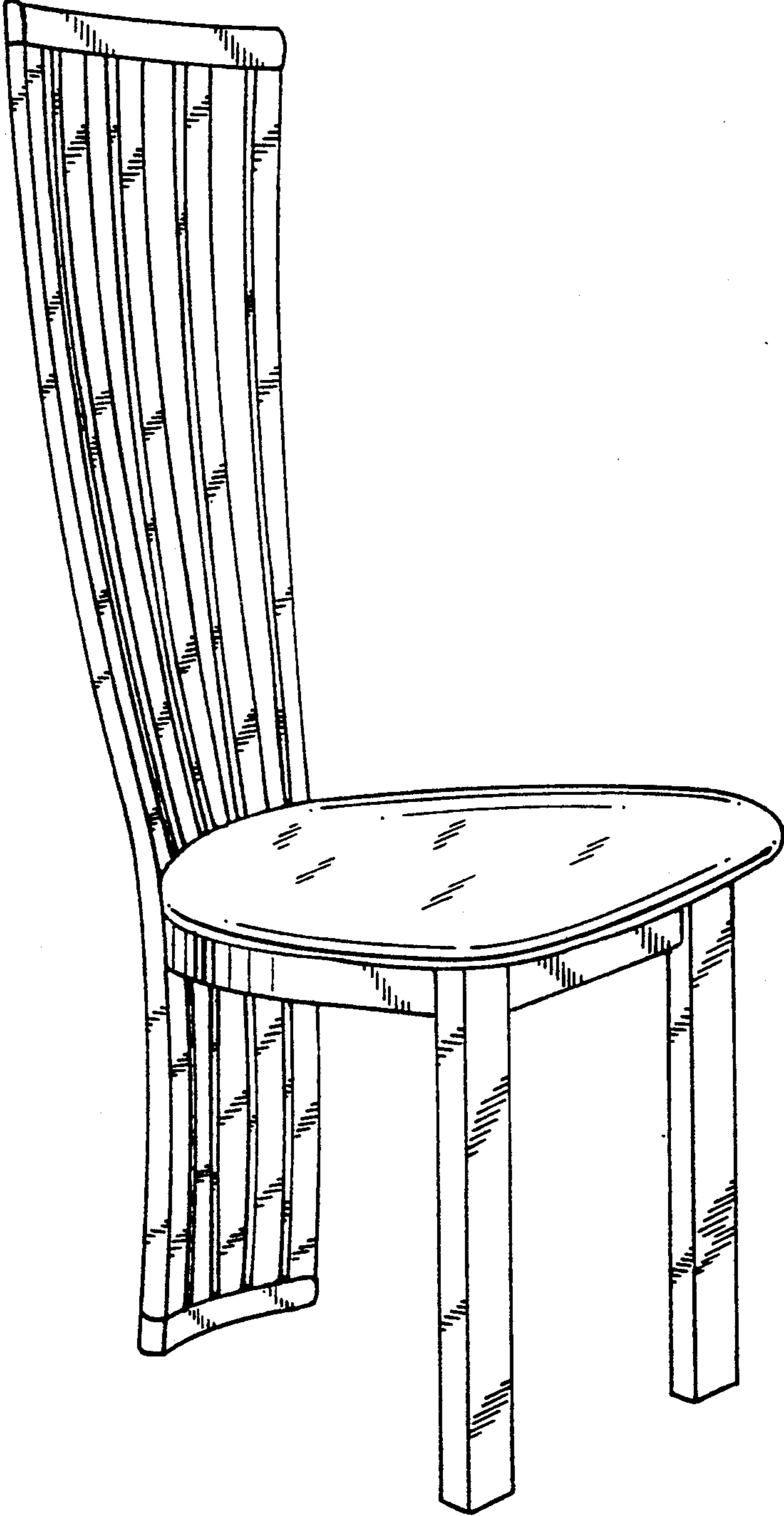


FIG. 4

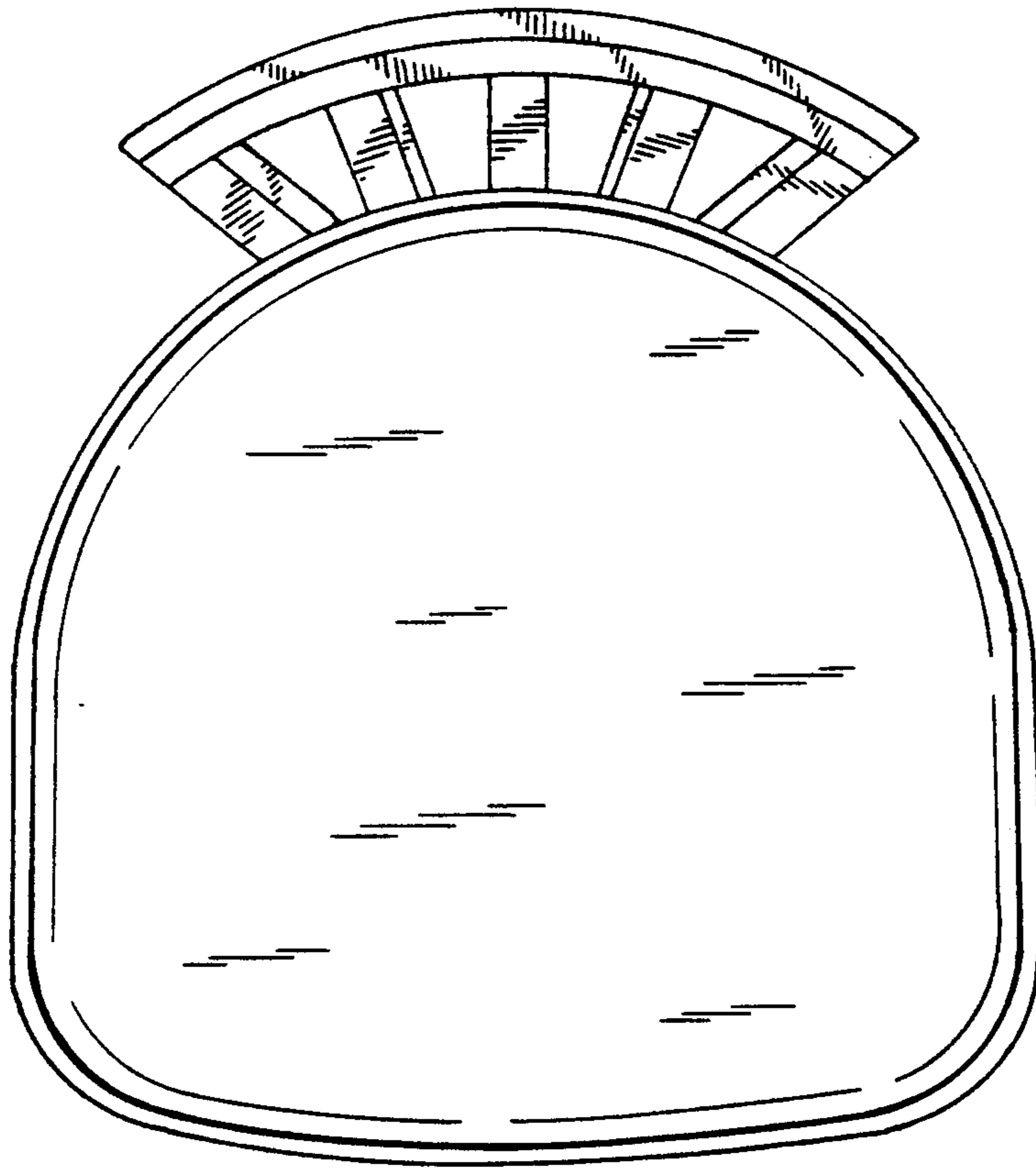


FIG. 5

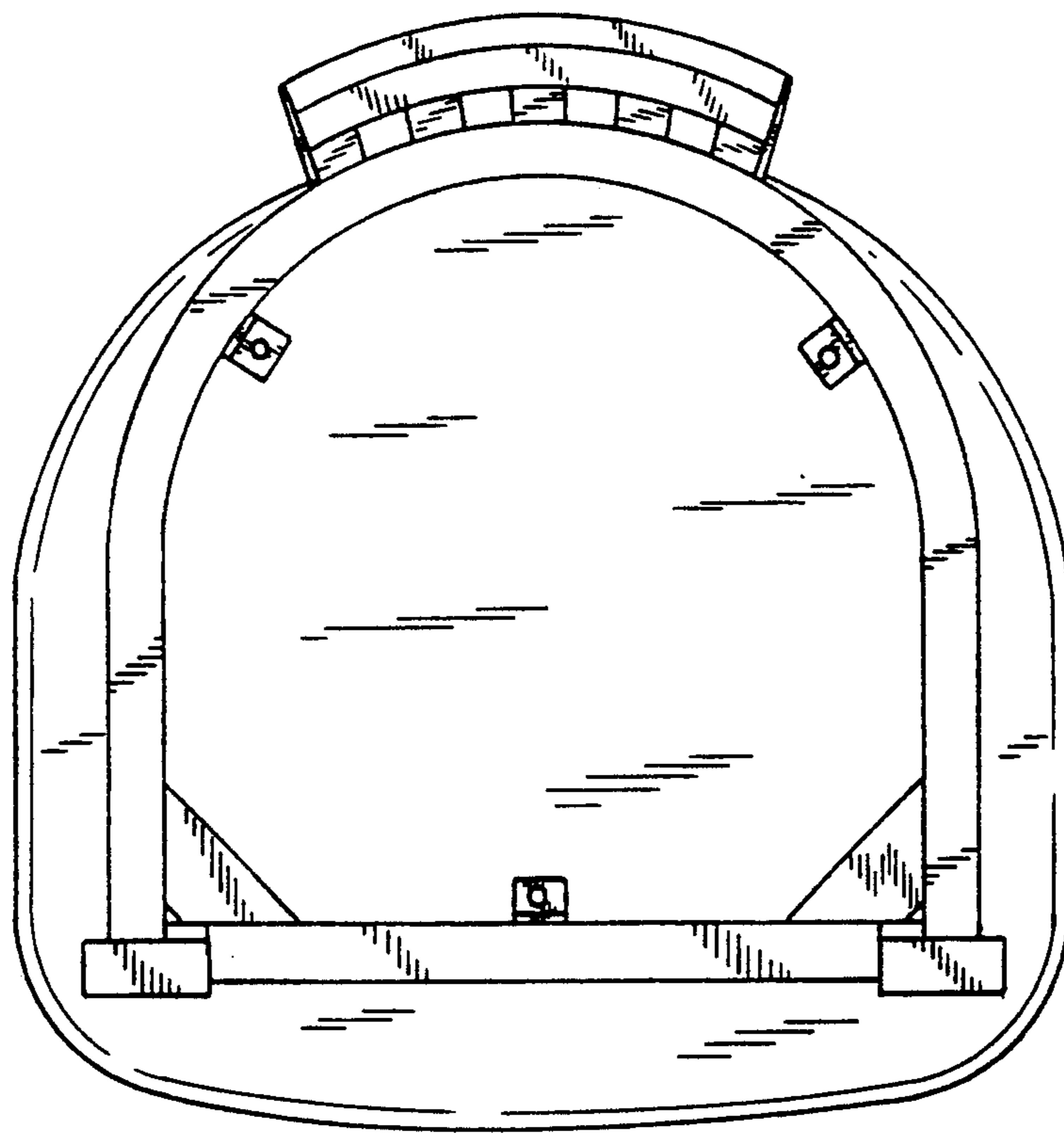


FIG. 6

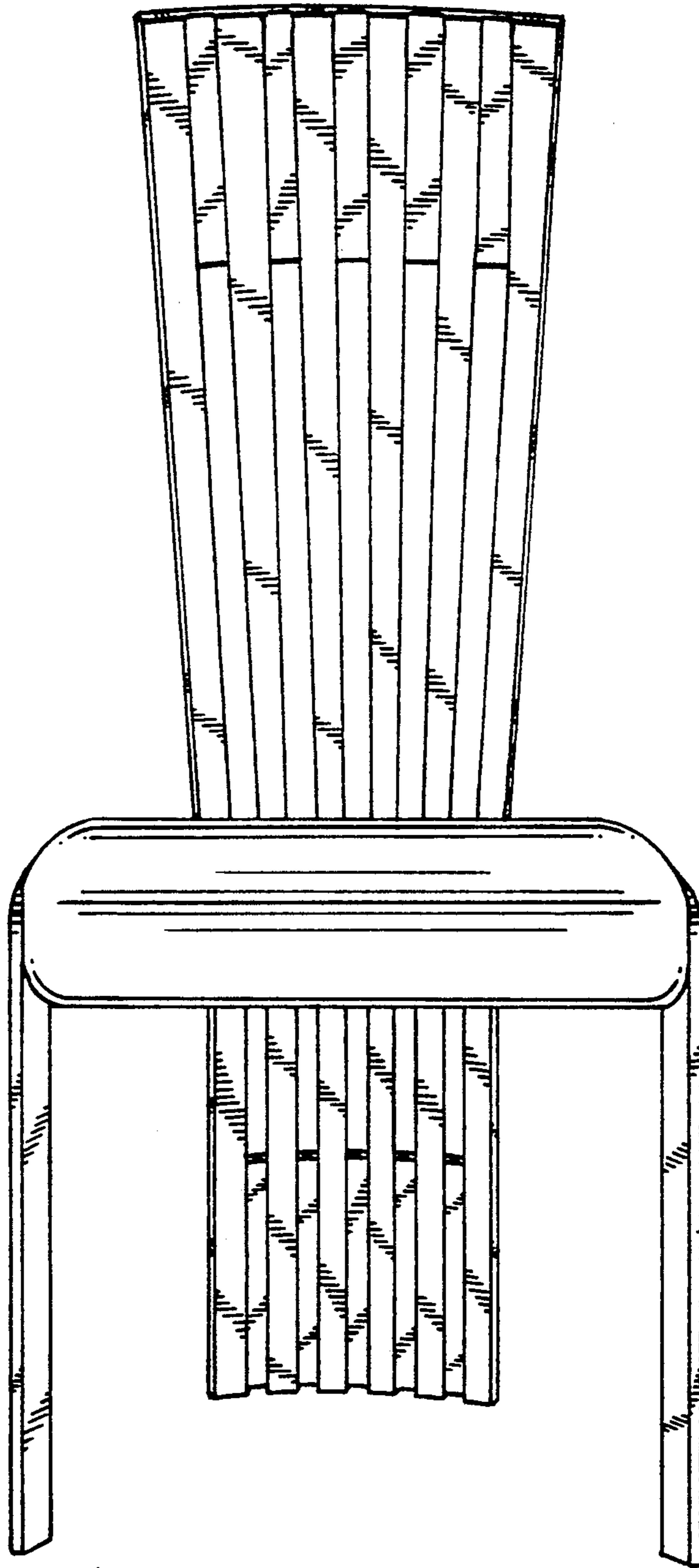


FIG. 7



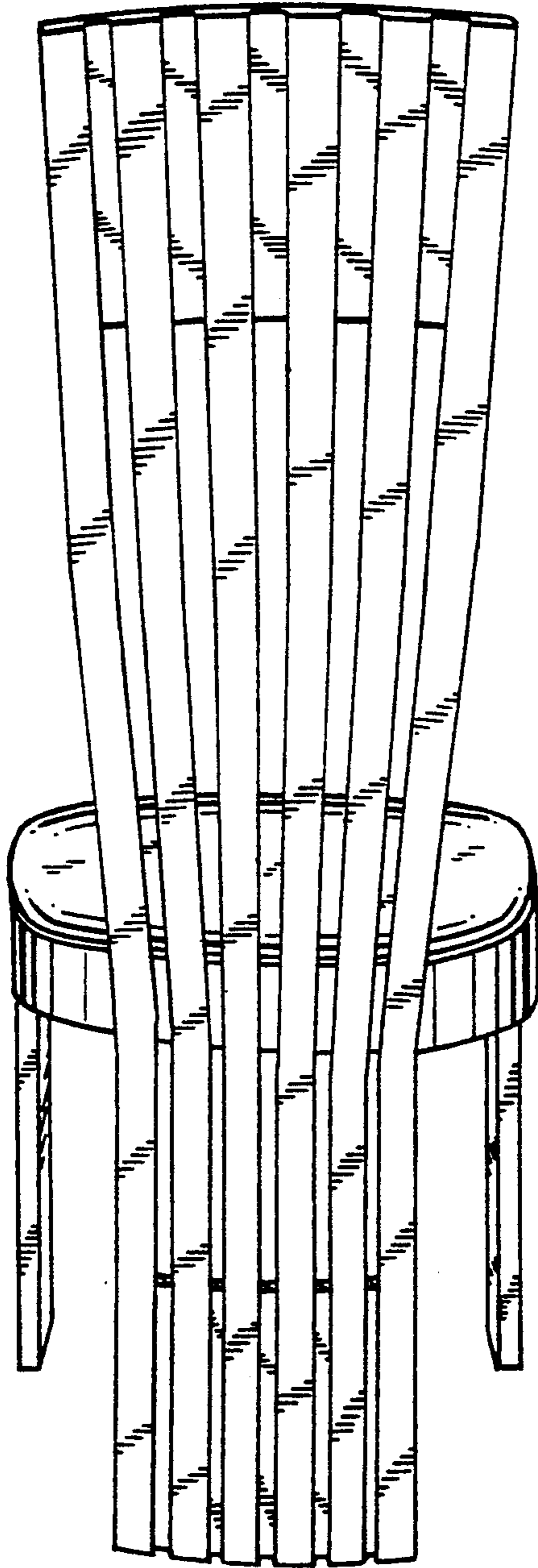


FIG. 8

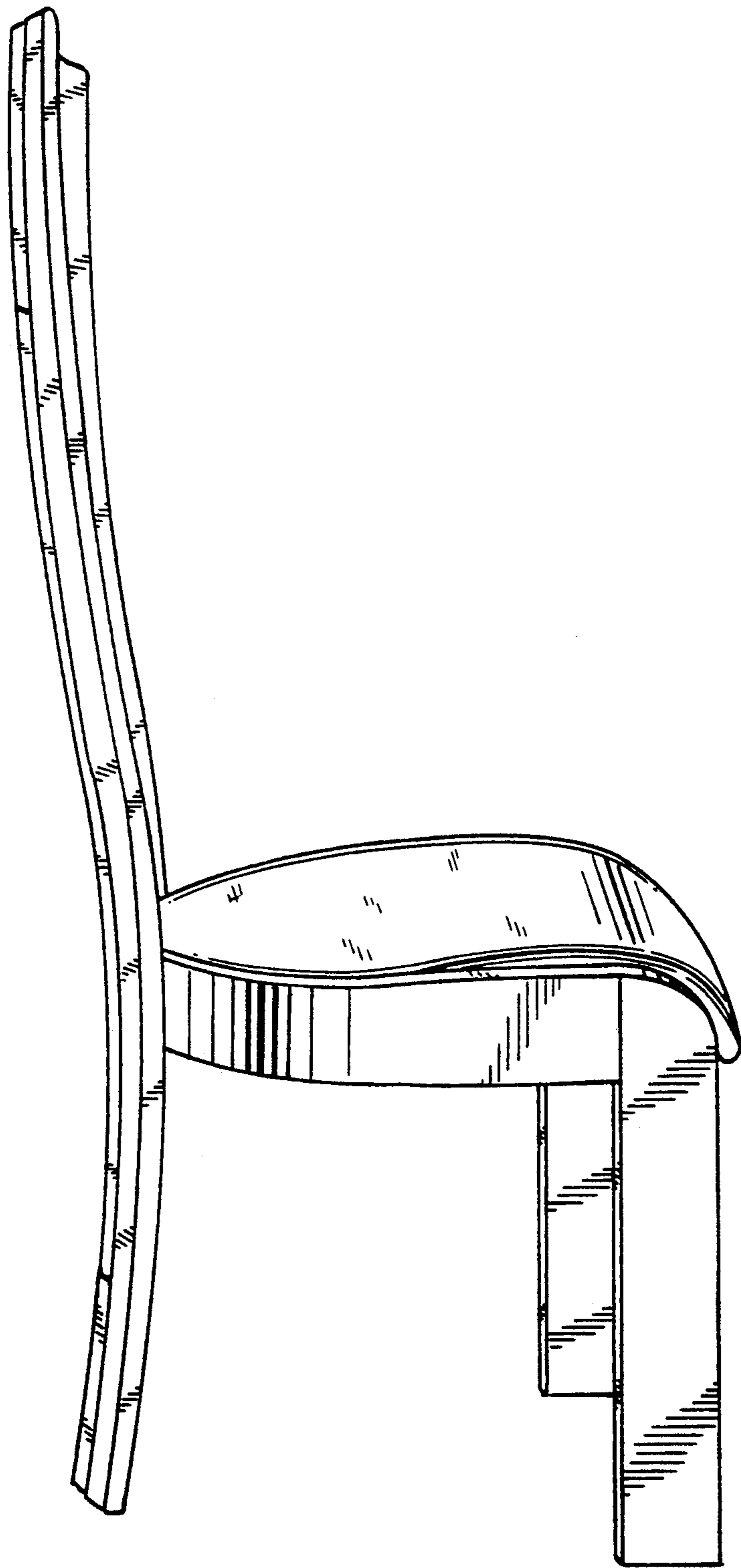


FIG. 9

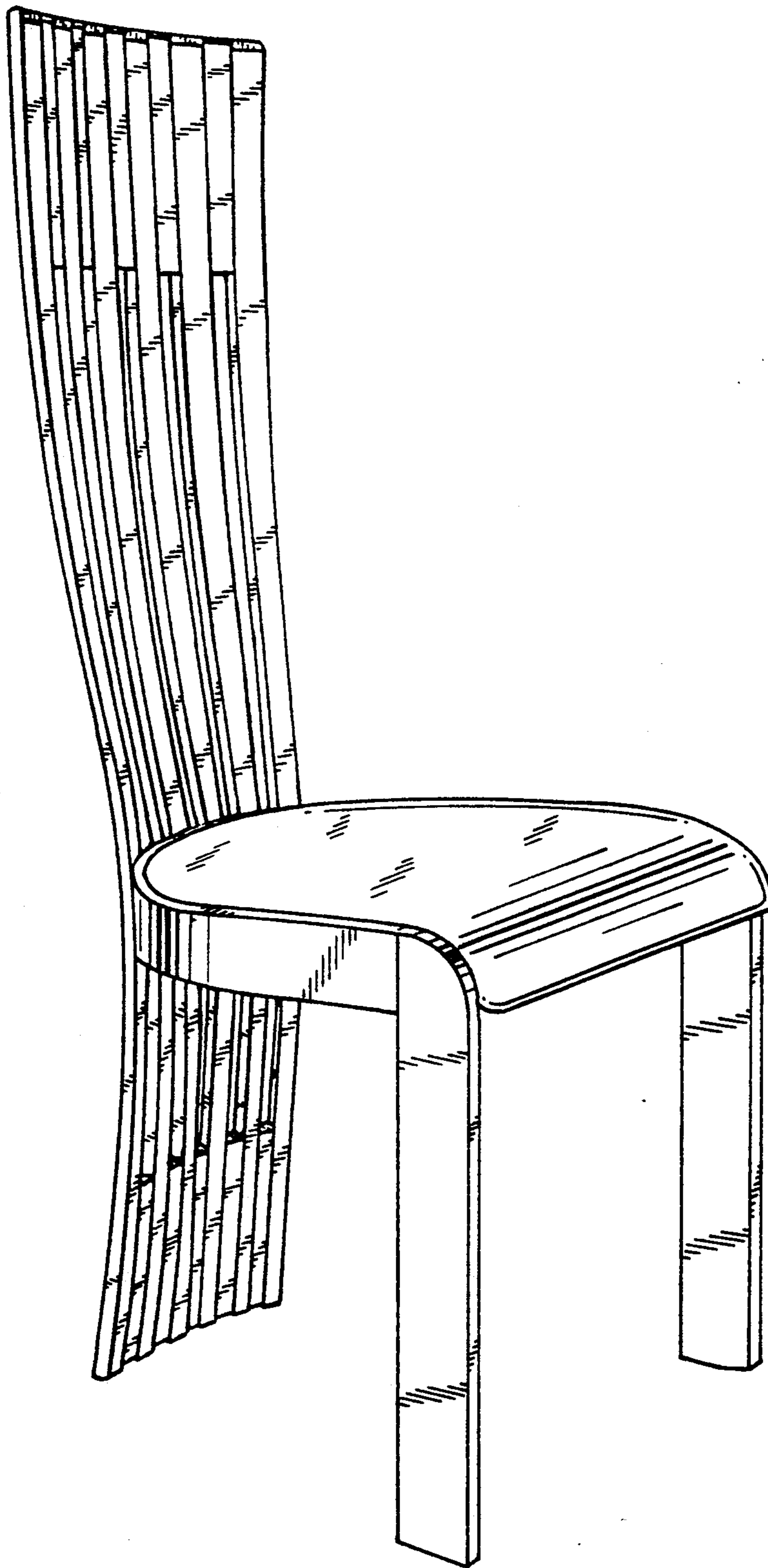


FIG. 10

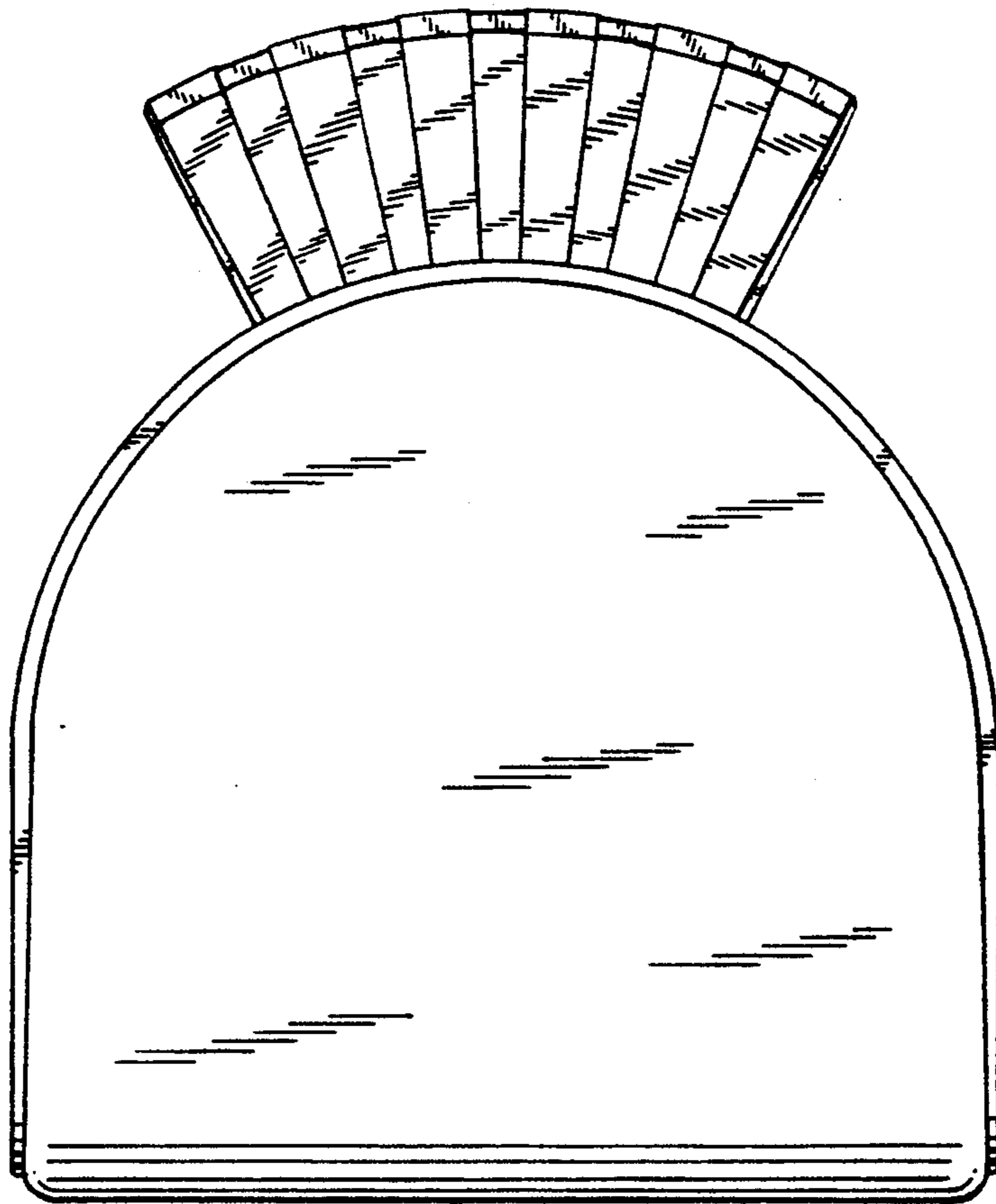


FIG. 11

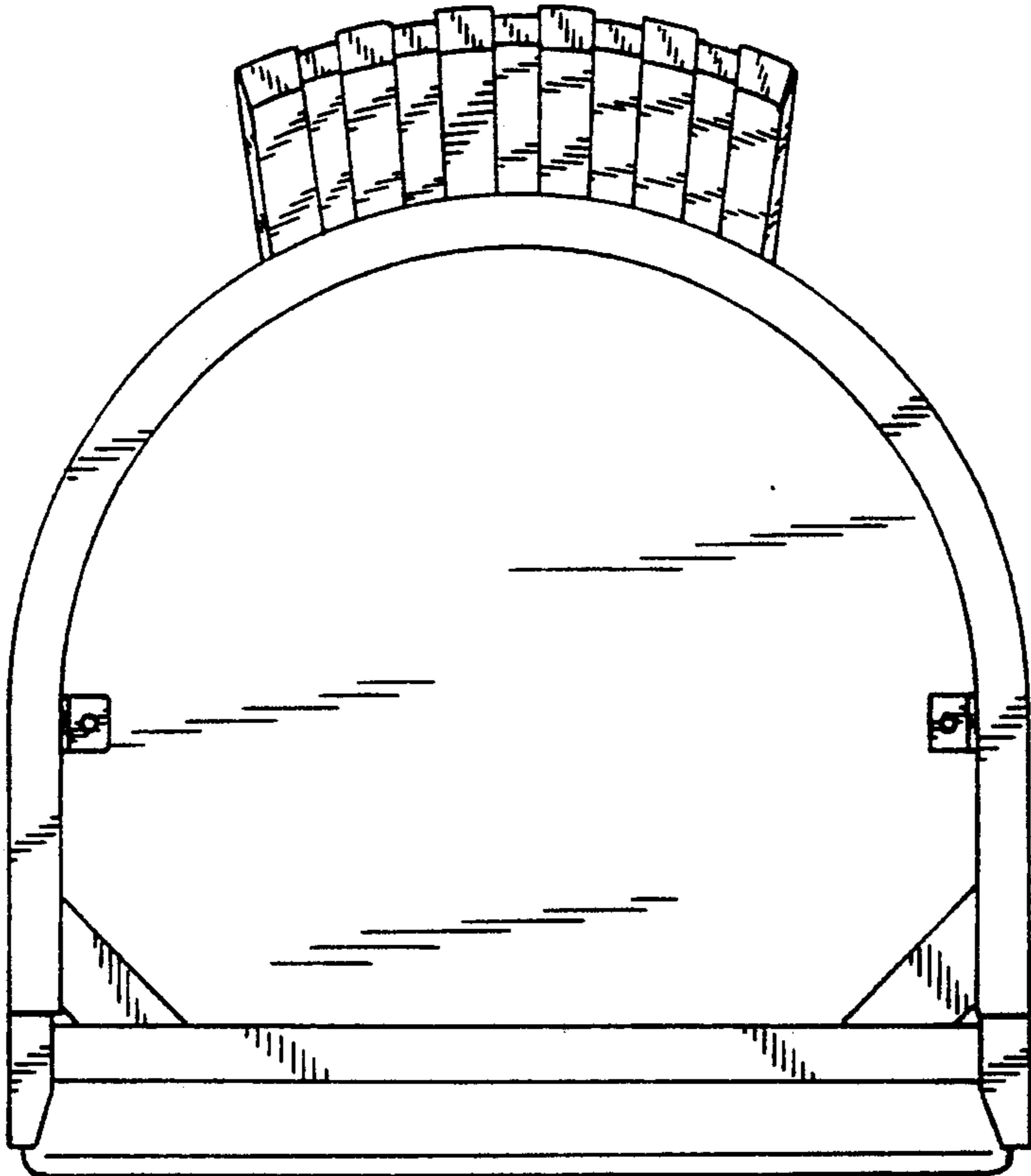


FIG. 12

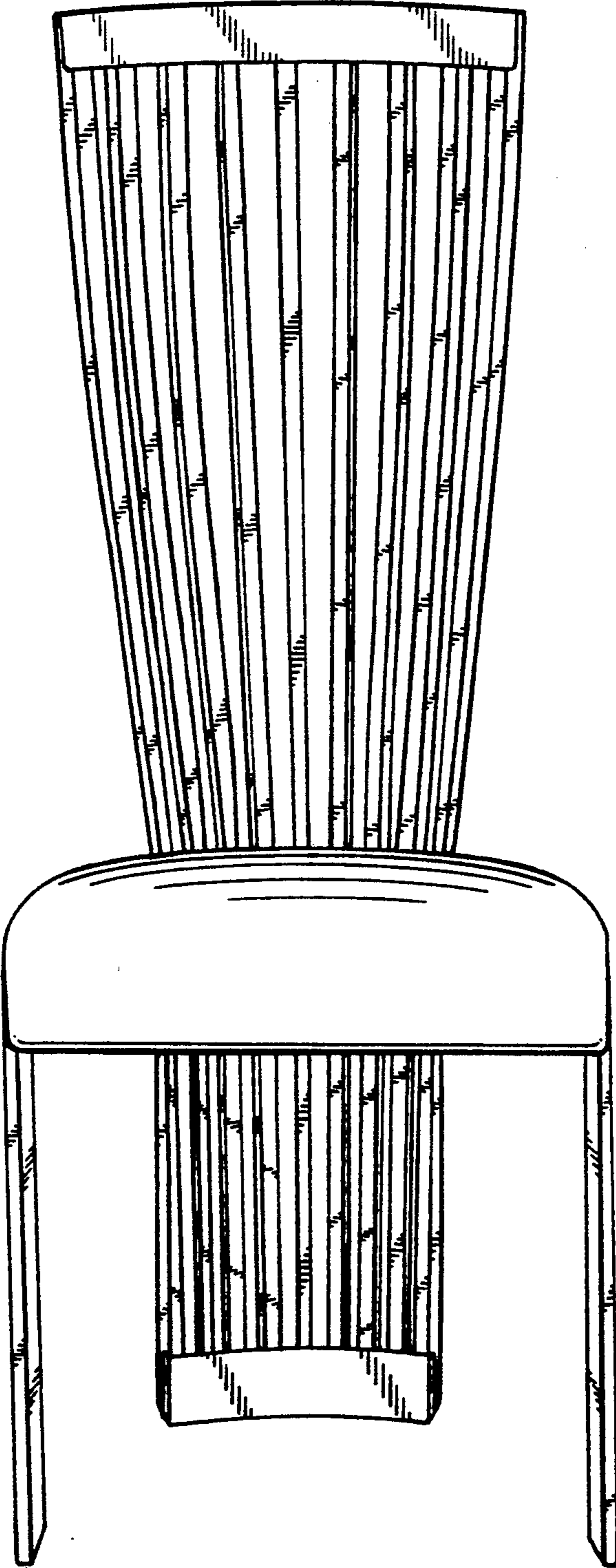


FIG. 13

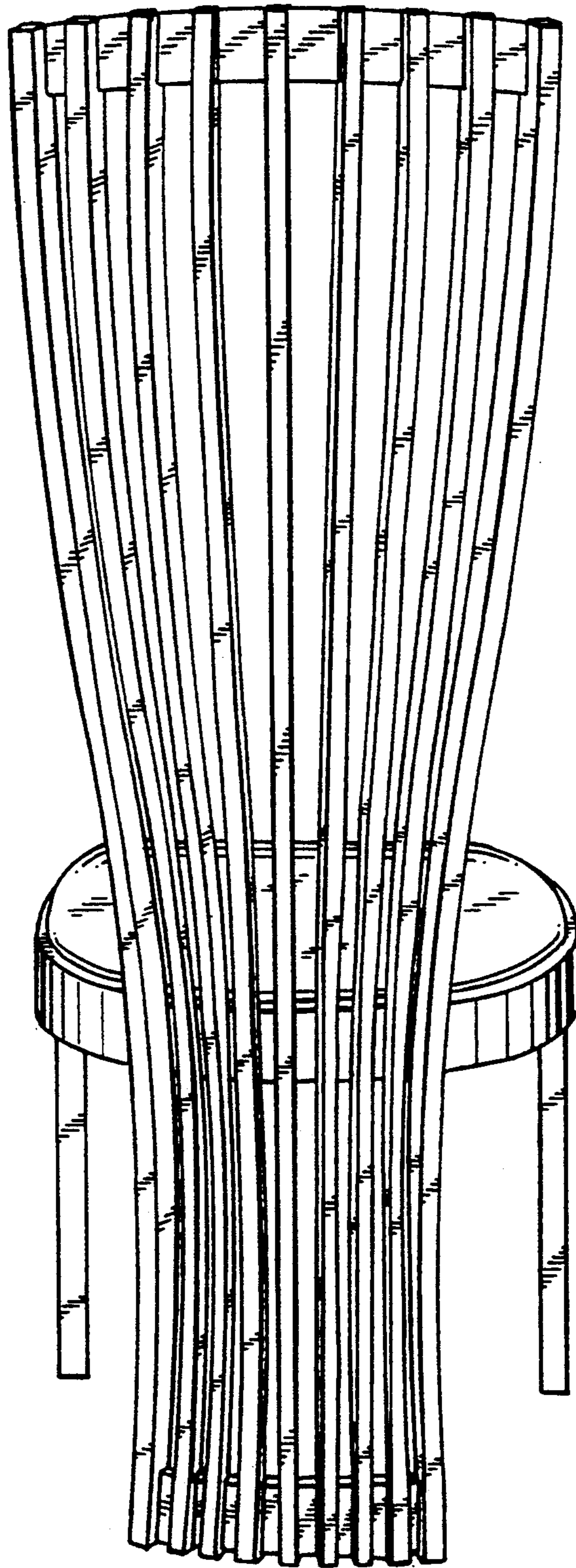


FIG. 14

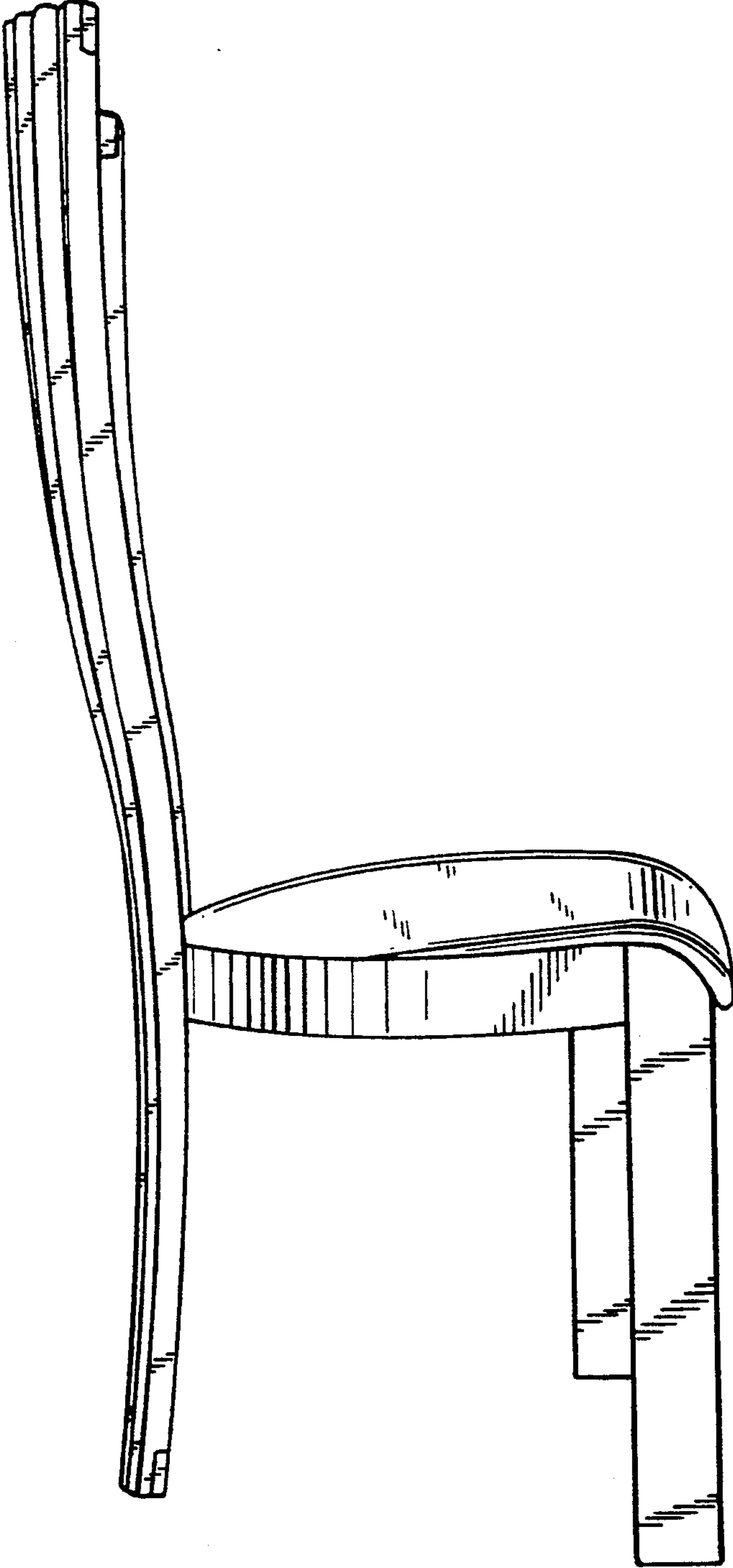


FIG. 15



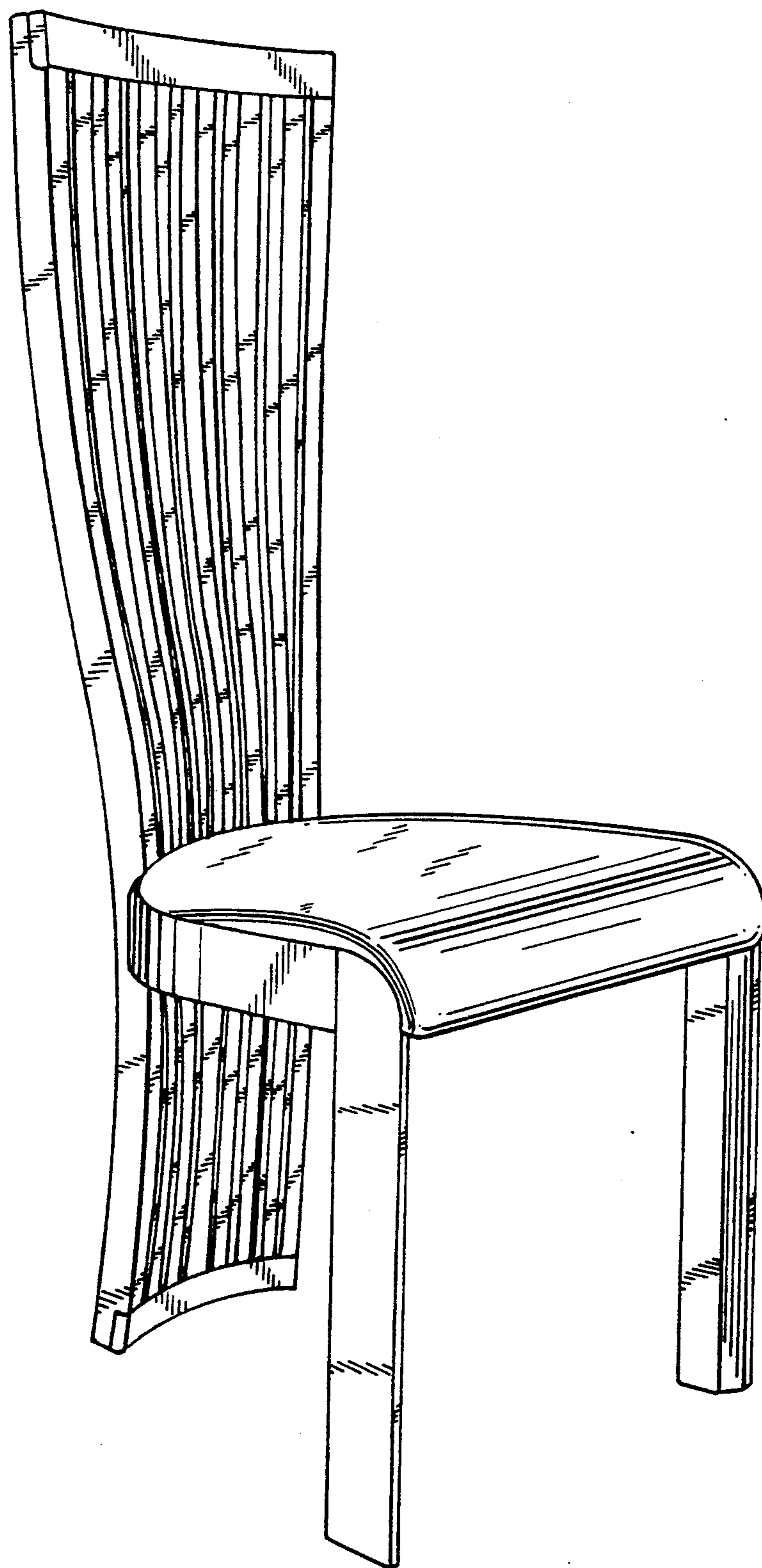


FIG. 16

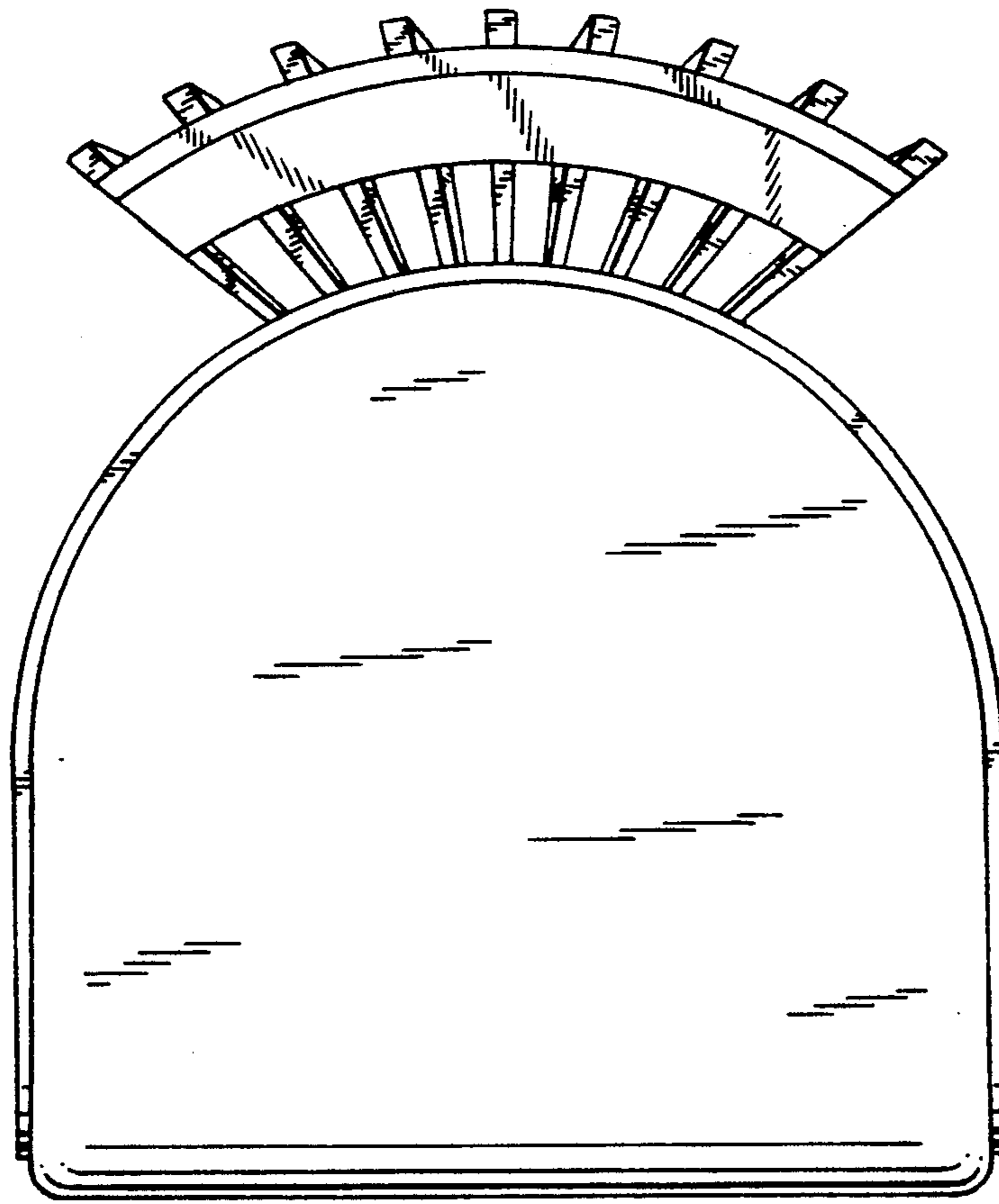


FIG.17

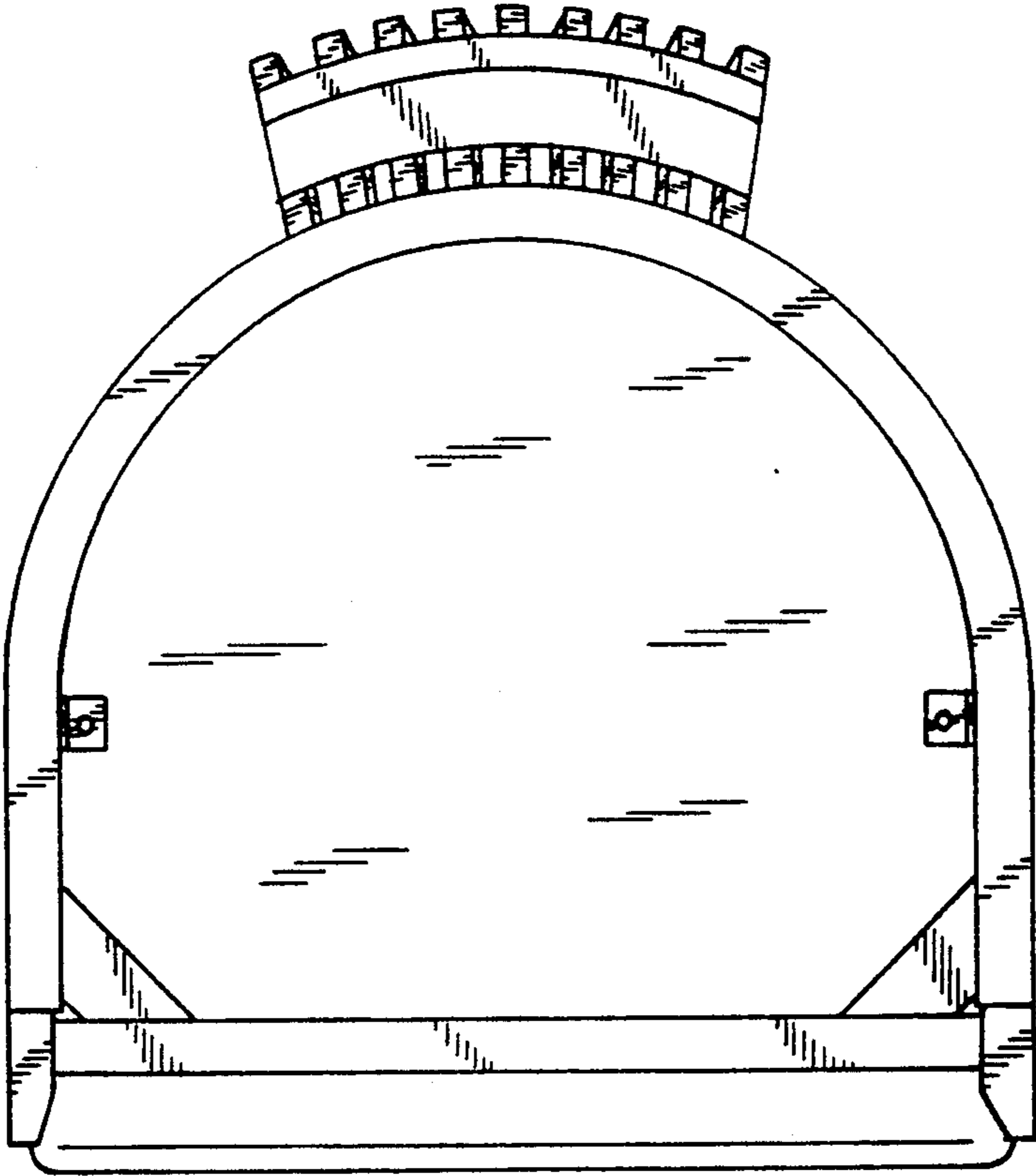


FIG. 18