



US00D330447S

# United States Patent [19]

Blois

[11] Patent Number: **Des. 330,447**

[45] Date of Patent: **\*\* Oct. 20, 1992**

[54] TANK CARRIER

[75] Inventor: **David A. Blois**, Scarborough, Canada

[73] Assignee: **Genawen Corporation**, Scarborough, Canada

[\*\*] Term: **14 Years**

[21] Appl. No.: **466,694**

[22] Filed: **Jan. 17, 1990**

### [30] Foreign Application Priority Data

Aug. 8, 1989 [CA] Canada ..... 0808891

[52] U.S. Cl. .... **D34/43**

[58] Field of Search ..... **D34/40-46;**  
**D8/30.1, 105; 206/139, 141, 143, 192, 207, 553,**  
**446-510; 220/85 S, 901, 5 R, 5 A, 4.12, 4.04, 85**  
**H, 737-742**

### [56] References Cited

#### U.S. PATENT DOCUMENTS

D. 159,666 8/1950 Ringler ..... D34/44

D. 266,207 9/1982 Kirchberger et al. .... D34/44 X

3,571,533 3/1971 Coleman ..... 220/4.12

3,690,500 9/1972 Remane ..... 220/4.12 X

4,723,689 2/1988 Vallos et al. .... 220/742 X

4,828,131 5/1989 Strubel ..... 220/4.04 X

### FOREIGN PATENT DOCUMENTS

245481 5/1963 Australia ..... 220/85 H

2173175 10/1986 United Kingdom ..... 220/85 H

*Primary Examiner*—Melvin B. Feifer  
*Assistant Examiner*—Prabhakar Deshmukh  
*Attorney, Agent, or Firm*—Arnold, White & Durkee

### [57] CLAIM

The ornamental design for a tank carrier, as shown and described.

### DESCRIPTION

FIG. 1 is a top plan view of a tank carrier showing my new design;

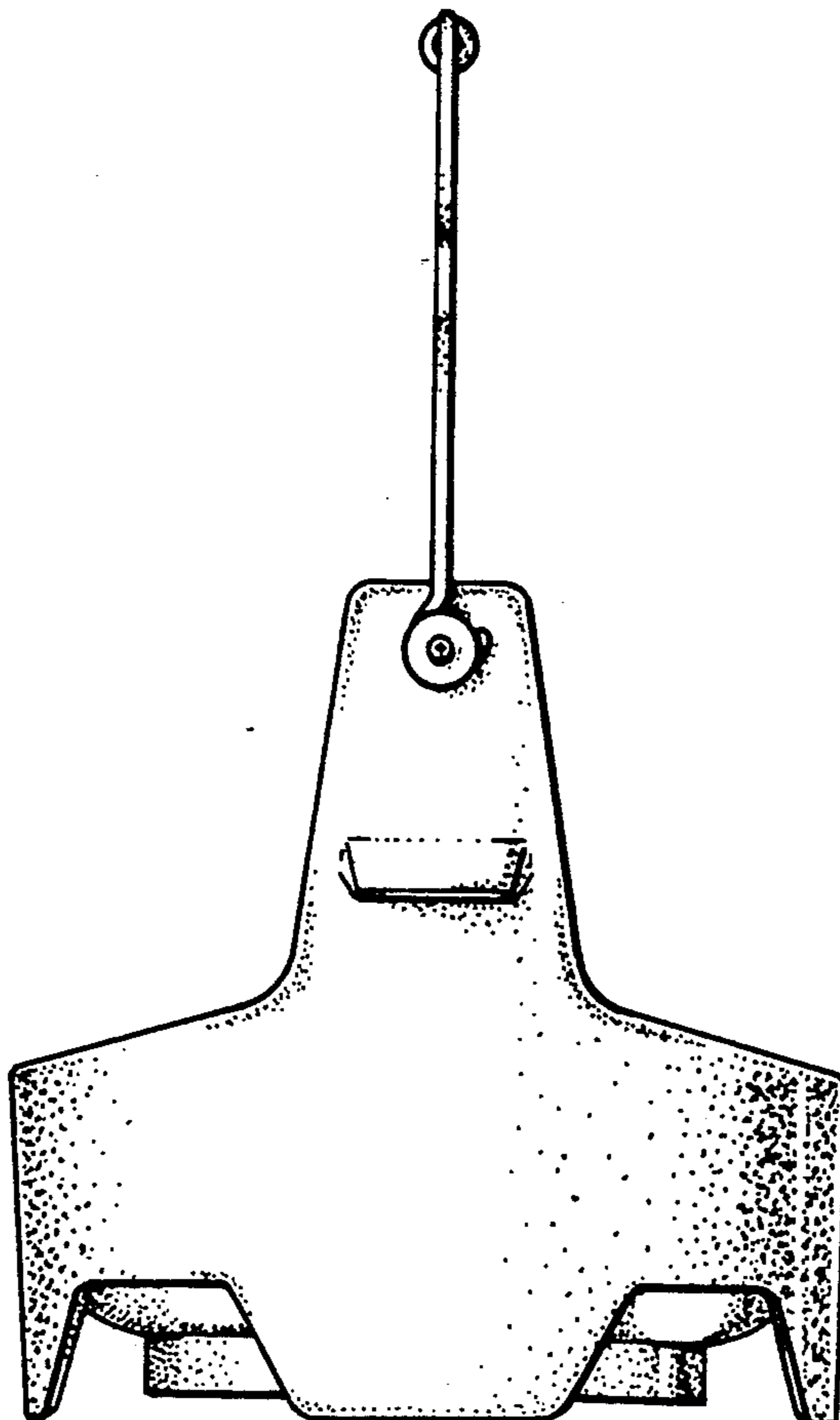
FIG. 2 is a front elevation thereof, the rear elevation being a mirror image thereof;

FIG. 3 is a left side elevation thereof, the right side elevation being a mirror image thereof;

FIG. 4 is a fragmentary sectional elevation thereof, with handle in down position; and,

FIG. 5 is a bottom plan view thereof.

The broken line showing of a tank in FIG. 3 is for illustrative purpose and forms no part of the claim.



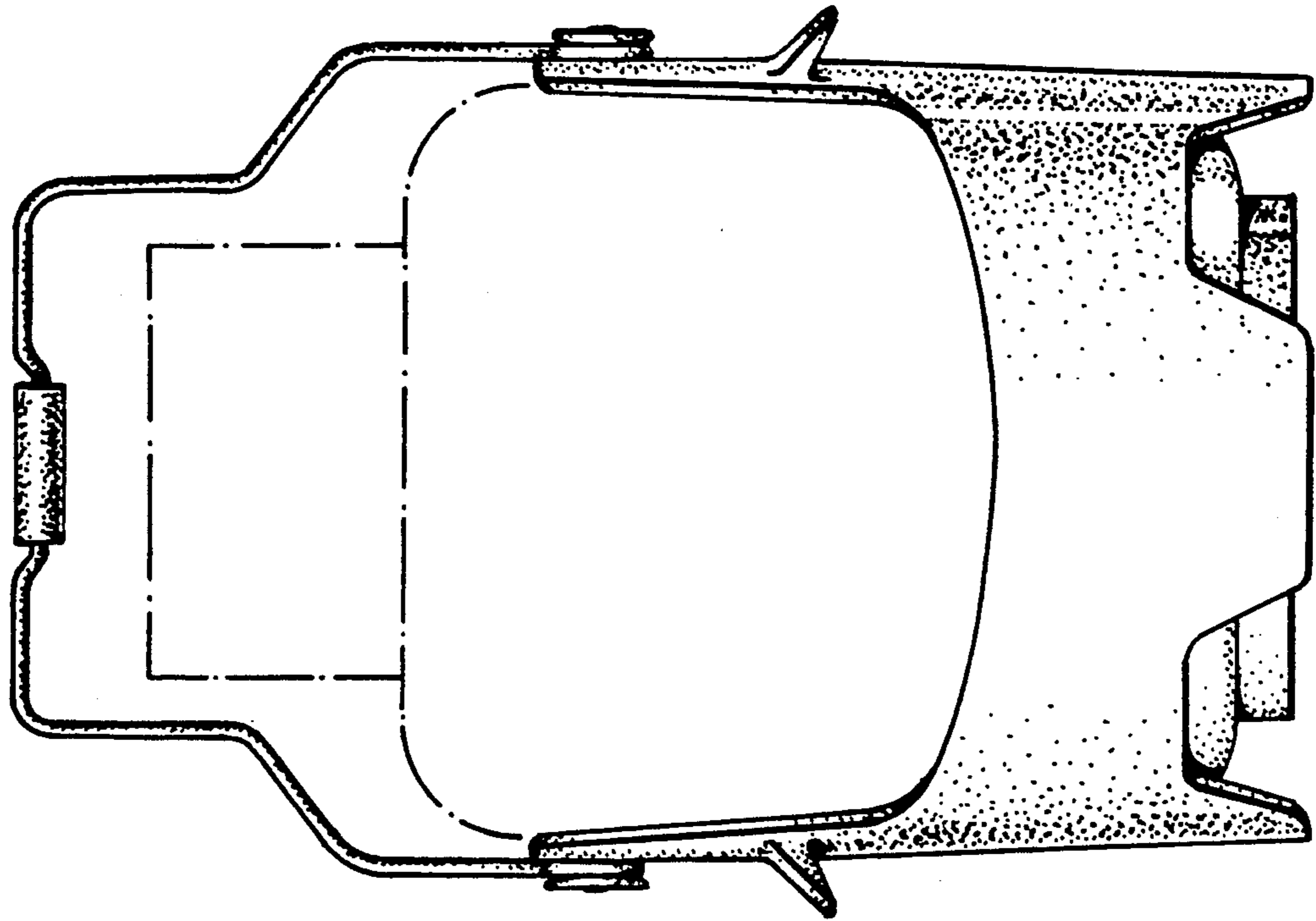


FIG. 3

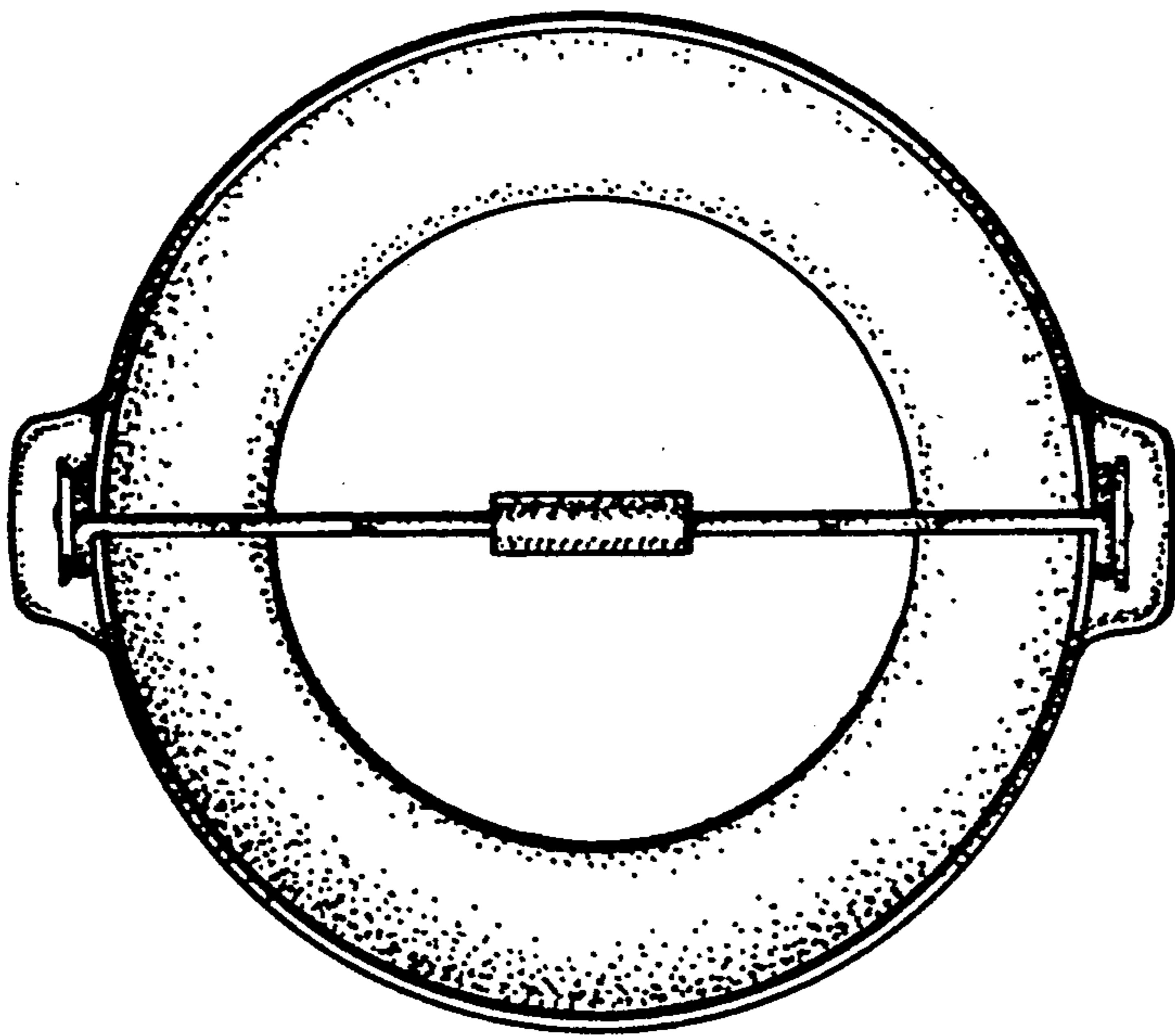


FIG. 1

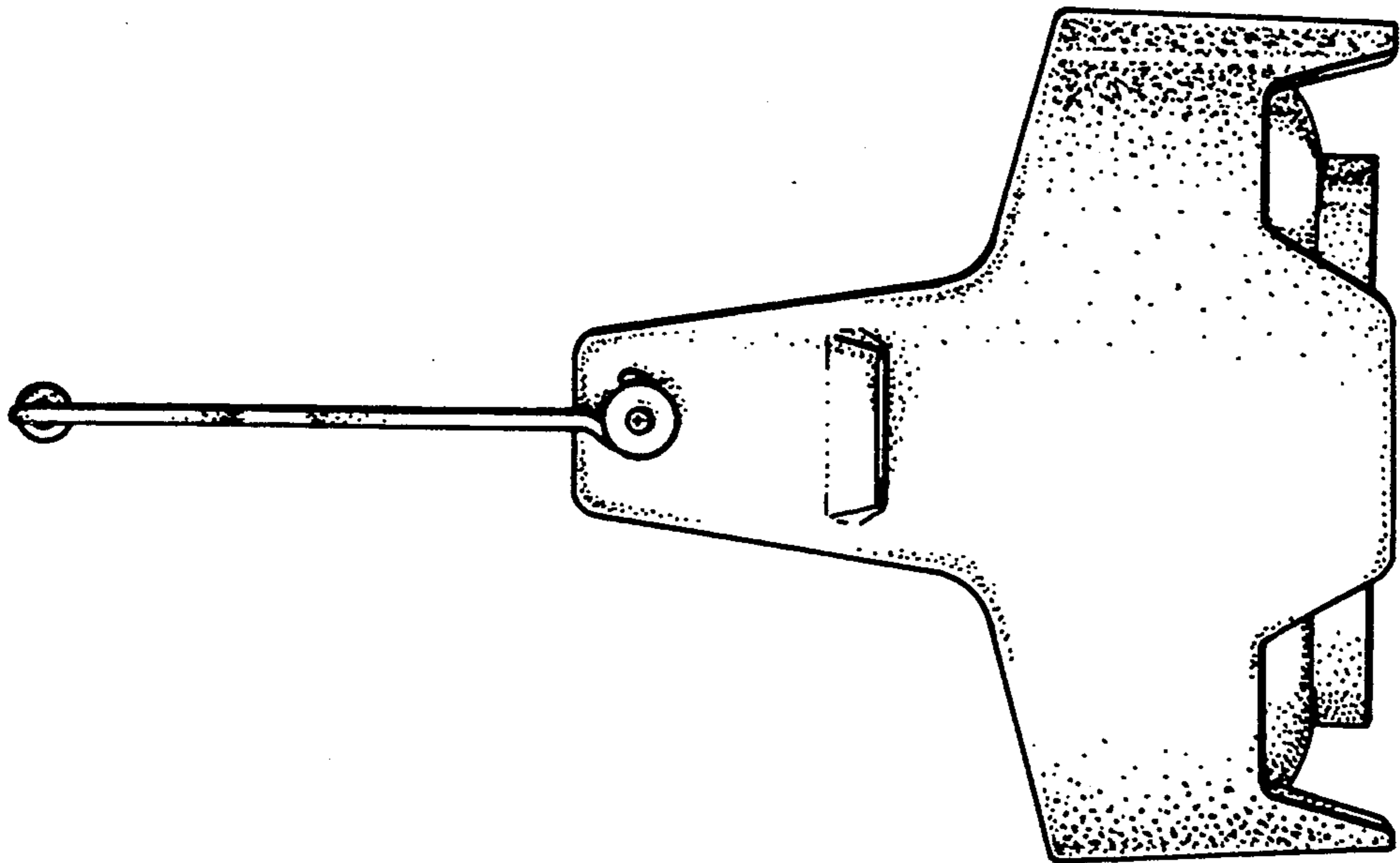


FIG. 2

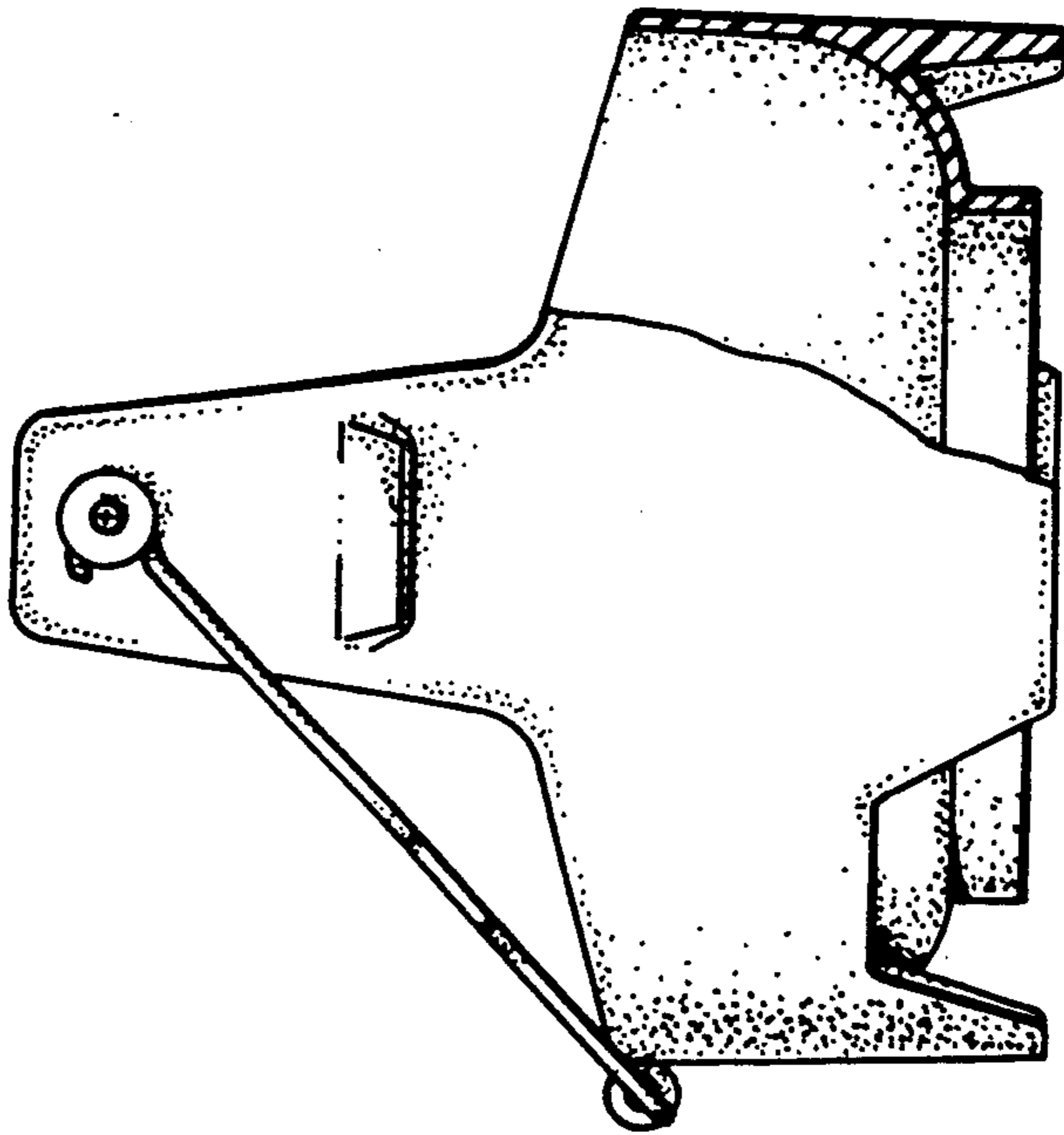


FIG. 4

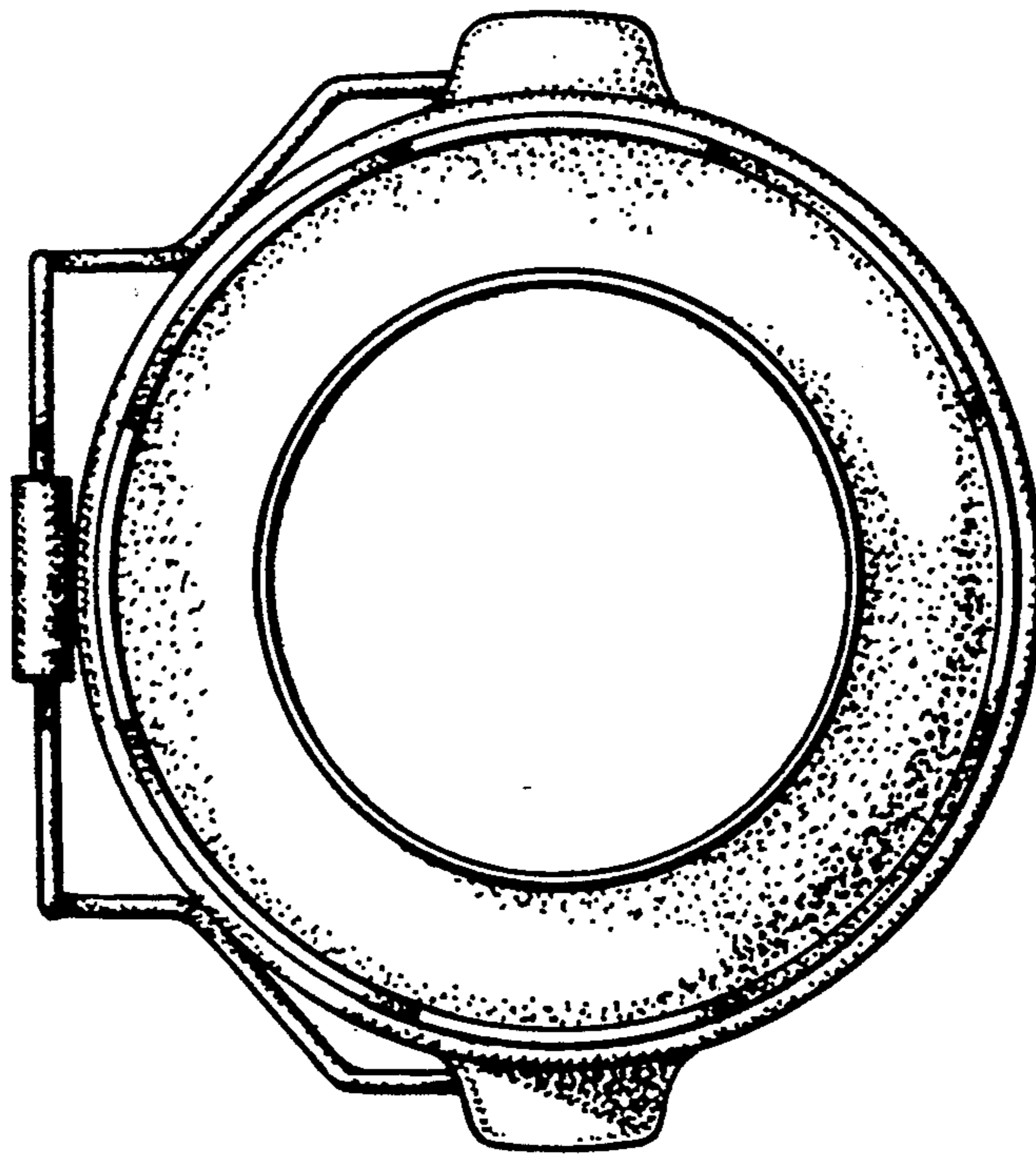


FIG. 5