



US00D330445S

United States Patent [19] Hay

[11] Patent Number: **Des. 330,445**
[45] Date of Patent: **** Oct. 20, 1992**

[54] WALL PAPER TOOL
[76] Inventor: **Bruce M. Hay**, 710 S. Ruddle,
Blutheville, Ark. 72315
[**] Term: **14 Years**
[21] Appl. No.: **384,678**
[22] Filed: **Jul. 25, 1989**
[52] U.S. Cl. **D32/46**
[58] Field of Search **D8/14, 45; D32/46, 48,**
D32/49; 30/169; 15/236.01

4,495,670 1/1985 Baker 30/169
4,794,694 1/1989 Daniel et al. 15/236.01

FOREIGN PATENT DOCUMENTS

293818 7/1926 United Kingdom 15/236 R

OTHER PUBLICATIONS

American Safety Razor Co., Industrial Blades' Catalog,
Feb. 1, 1977, pp. A2 and A13.

Primary Examiner—Bernard Ansher
Assistant Examiner—Philip Hyder
Attorney, Agent, or Firm—Terry M. Gernstein

[56] References Cited

U.S. PATENT DOCUMENTS

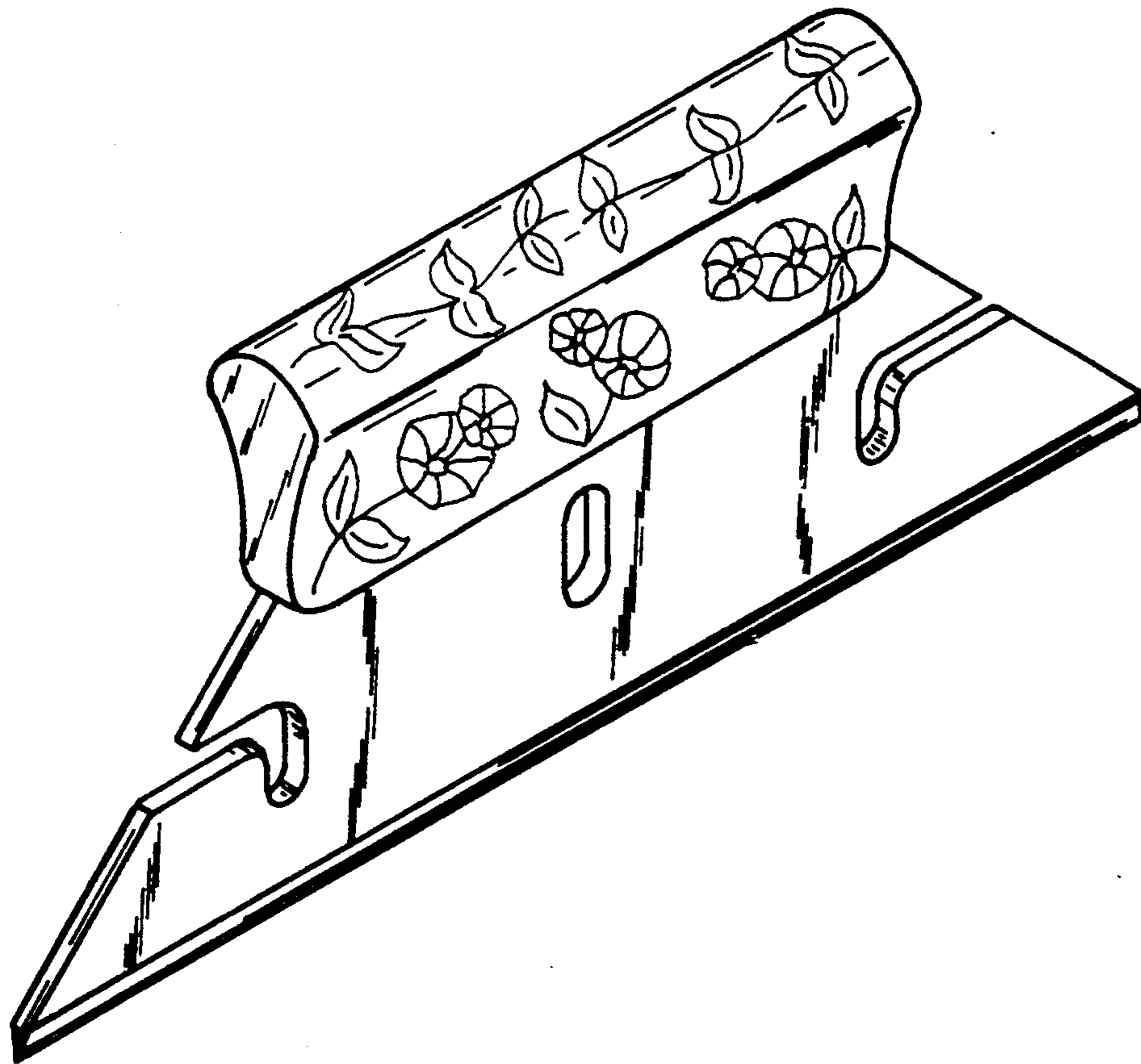
D. 56,574	11/1920	Waters	D8/45
D. 117,388	10/1939	Woinarovicz	D8/45
D. 157,904	3/1950	Reusch	D8/45
D. 262,597	1/1982	Rangel	D8/14
D. 286,583	11/1986	Filsinger et al.	D32/49
D. 291,839	9/1987	Phillips	D32/49
D. 292,532	10/1987	Strongwater	D32/49
D. 307,862	5/1990	Masotta	D32/49
2,217,369	10/1940	Jacobsen et al.	15/235.4
2,632,247	3/1953	Harbison	30/169

[57] CLAIM

The ornamental design for a wall paper tool, as shown.

DESCRIPTION

FIG. 1 is a perspective view of a wall paper tool showing my design;
FIG. 2 is a top plan view thereof;
FIG. 3 is a front elevational view thereof, the rear view being a mirror image; and,
FIG. 4 is a side elevational view thereof, the opposite side being a mirror image.



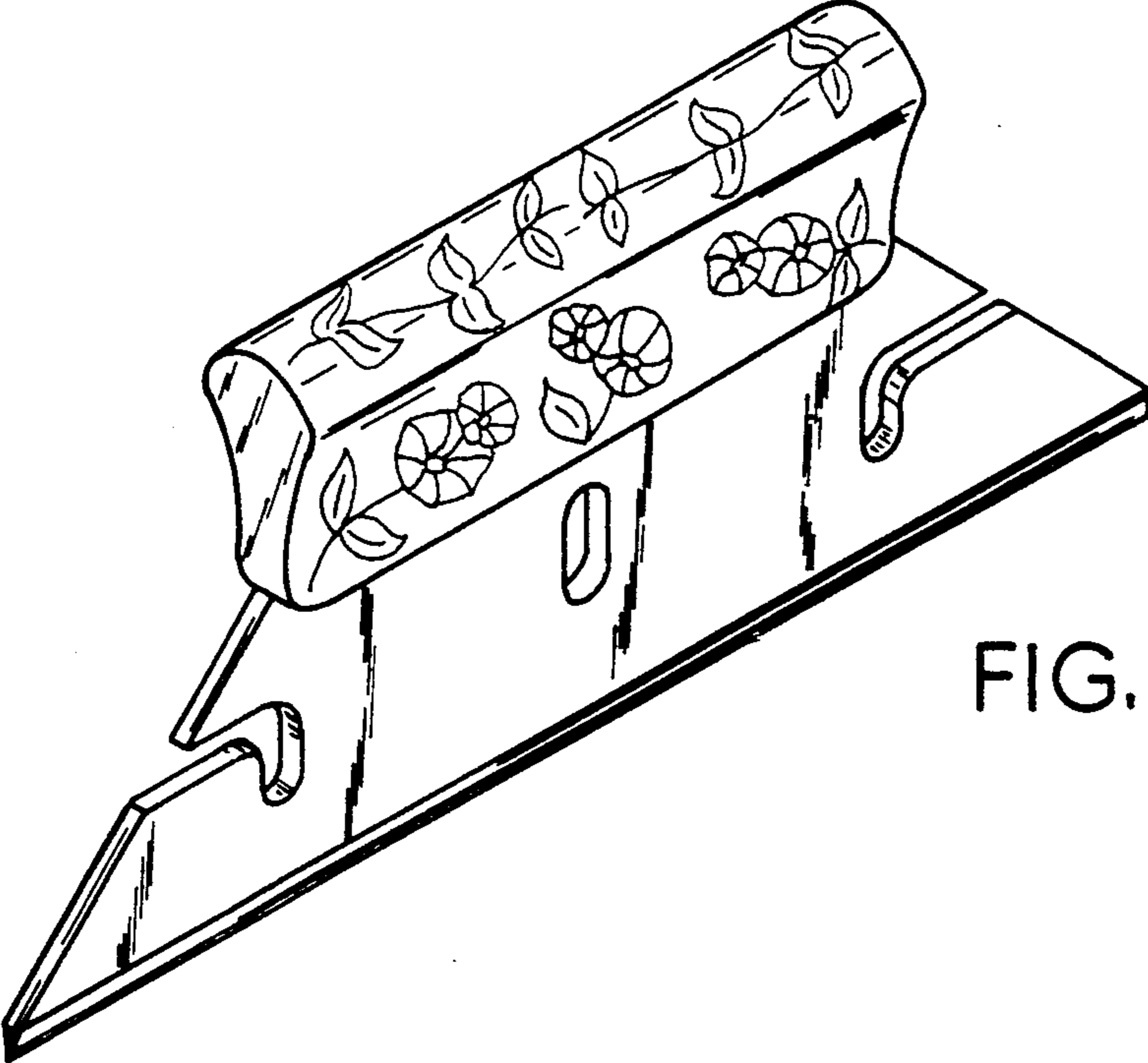


FIG. 1



FIG. 2

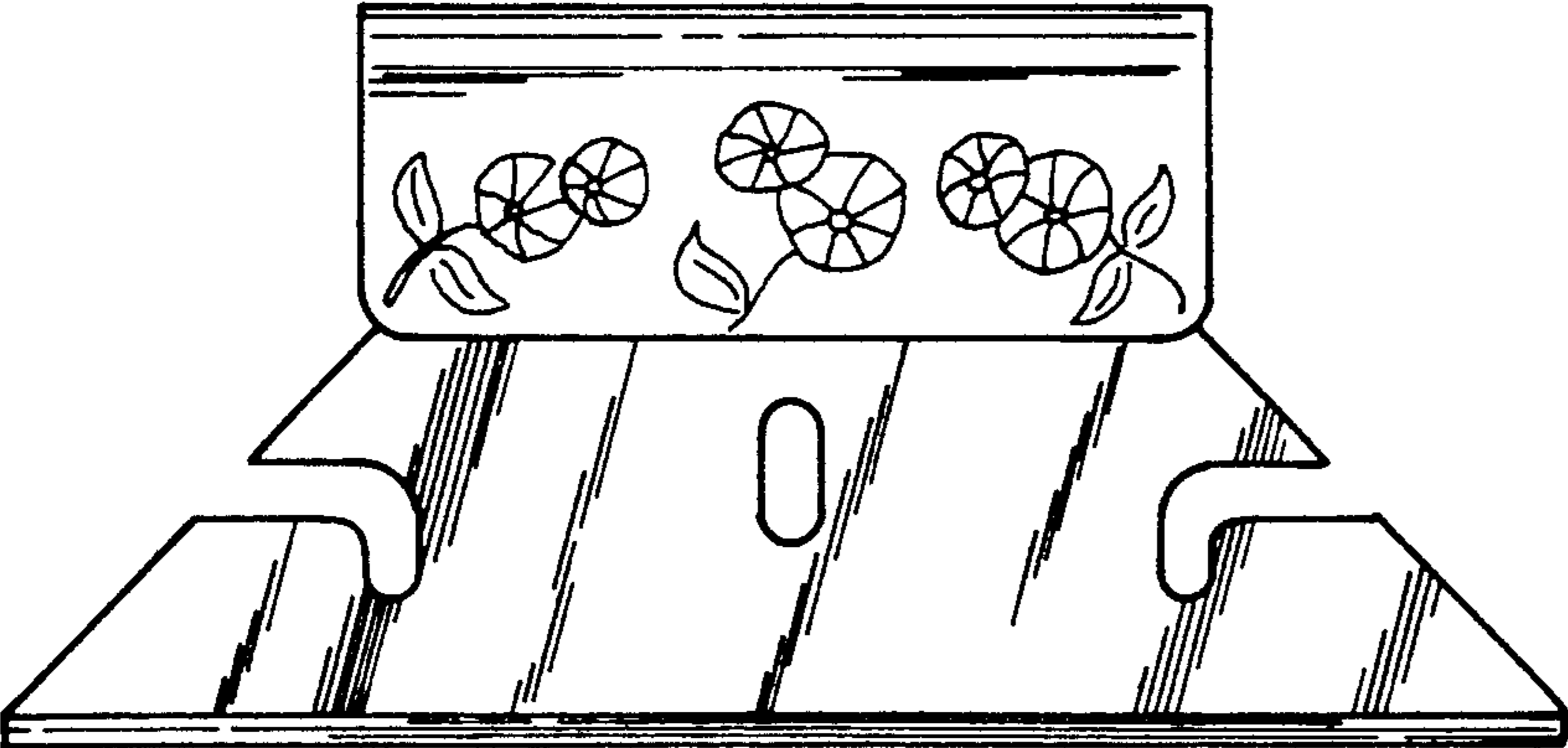


FIG. 3

FIG. 4

