



US00D330444S

United States Patent [19]

Wall et al.

[11] Patent Number: **Des. 330,444**

[45] Date of Patent: **** Oct. 20, 1992**

[54] NET FOR CLEANING SWIMMING POOLS

4,152,801 5/1979 Lieber 15/1.7

[76] Inventors: **Edward L. Wall**, Rte. 1, Box 49, Chickasaw County, Manatee, Miss. 39751; **Frank L. Wall**, 415 Wilkins-wise Rd., Columbus, Miss. 39701

Primary Examiner—Wallace R. Burke
Assistant Examiner—Lavone D. Tabor
Attorney, Agent, or Firm—Mason, Fenwick & Lawrence

[**] Term: **14 Years**

[57] **CLAIM**
The ornamental design for a net for cleaning swimming pools, as shown and described.

[21] Appl. No.: **542,400**

DESCRIPTION

[22] Filed: **Jun. 22, 1990**

[52] U.S. Cl. **D32/35; D22/135**

[58] Field of Search **D32/35, 40; D22/135; 15/1.7, 236.01; 210/169, 416.2**

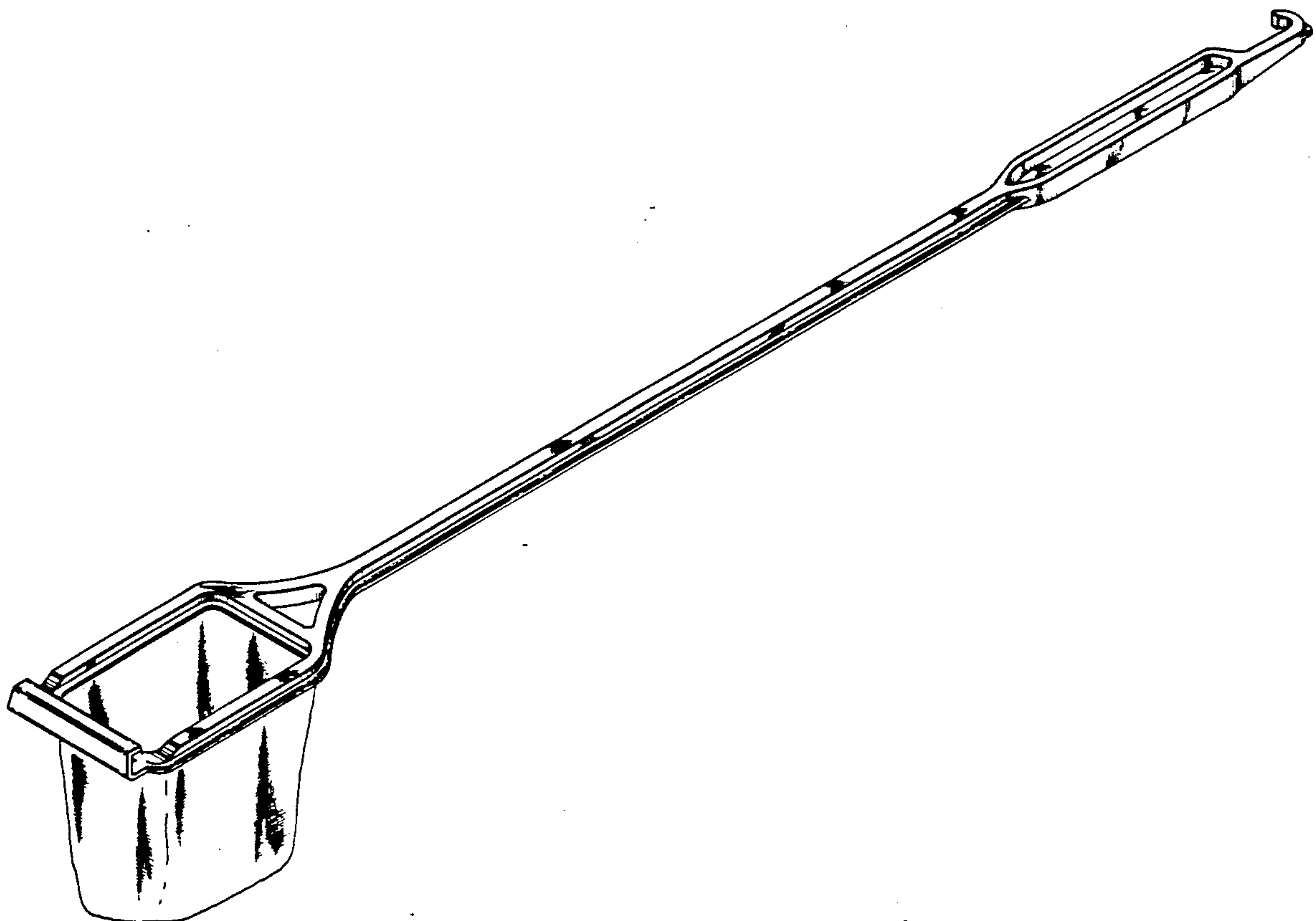
FIG. 1 is a perspective view of a net for cleaning swimming pools showing our new design; FIG. 2 is a top plan view thereof; FIG. 3 is a left side elevational view thereof; FIG. 4 is a bottom plan view thereof; FIG. 5 is a right side elevational view thereof; FIG. 6 is a front end elevational view thereof; and, FIG. 7 is a rear end elevational view thereof.

[56] References Cited

U.S. PATENT DOCUMENTS

- D. 188,094 6/1960 McWethy D32/35
- D. 304,630 11/1989 Jones et al. D32/40
- D. 316,619 4/1991 Richardson et al. D32/35

The crosshatched pattern along the netted portion is partially shown for ease of illustration only and is understood to continue throughout the areas indicated.



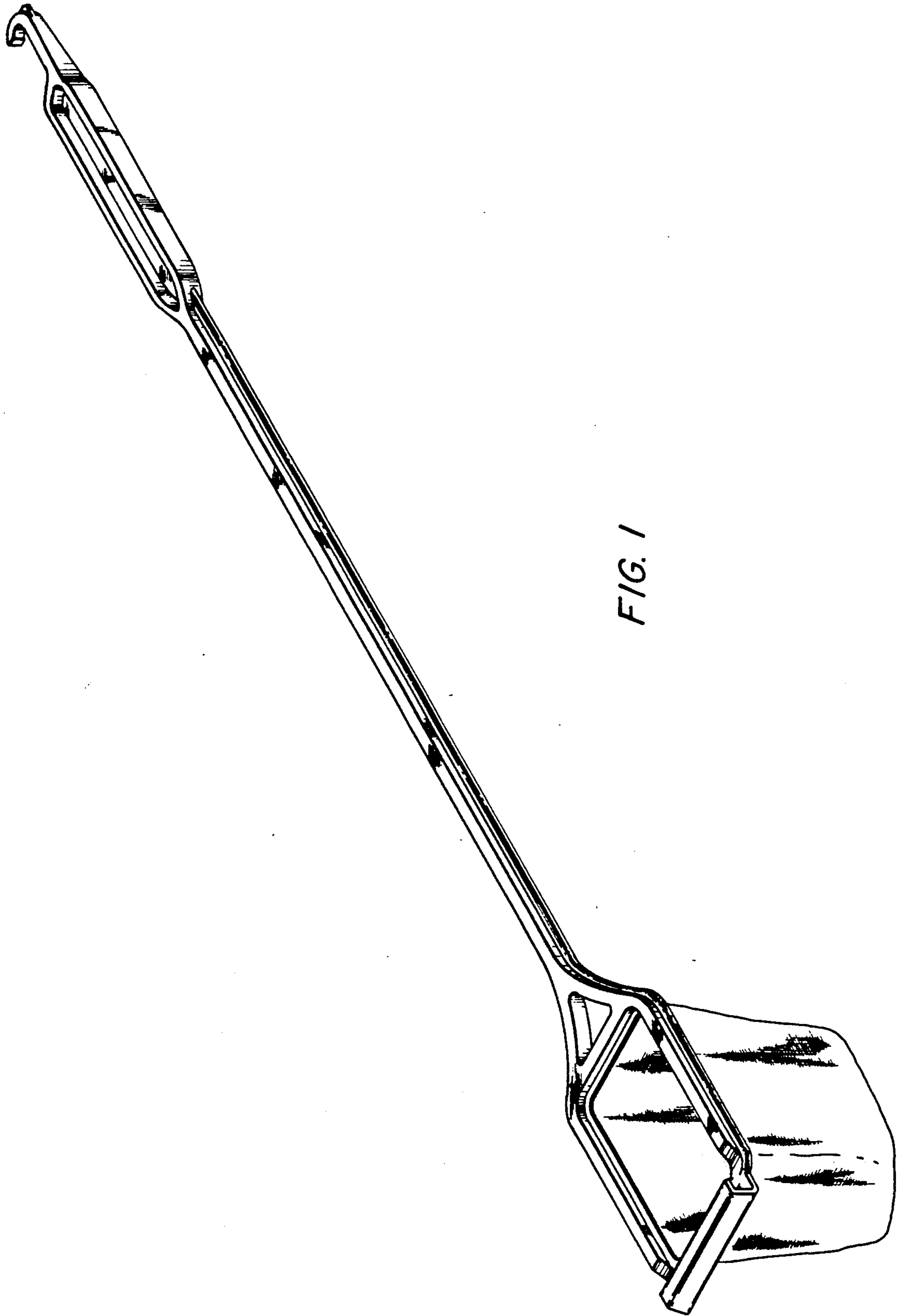


FIG. 1

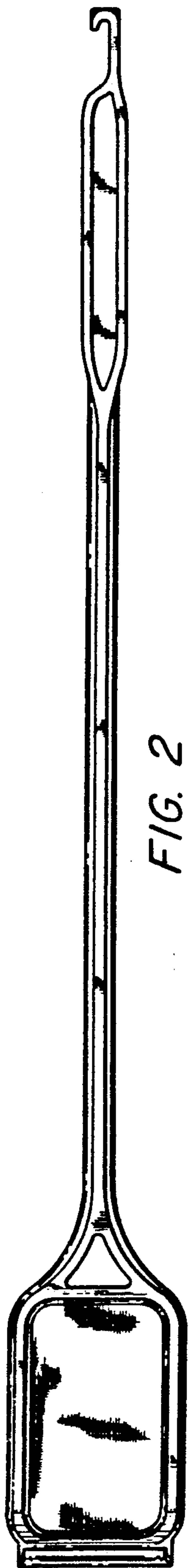


FIG. 2

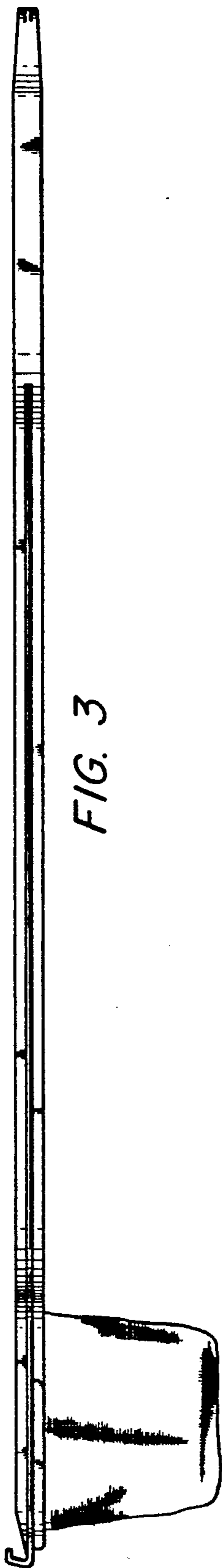


FIG. 3

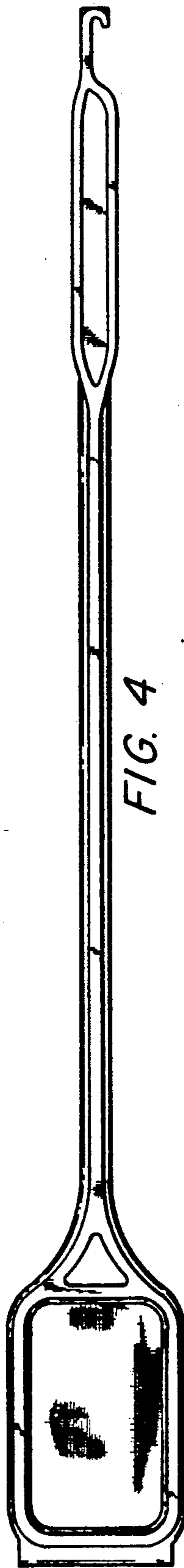


FIG. 4

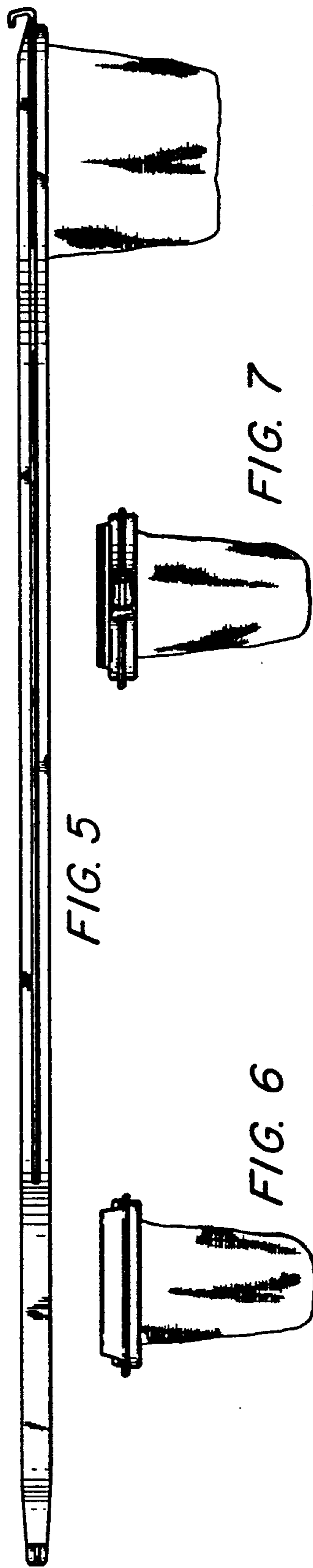


FIG. 5

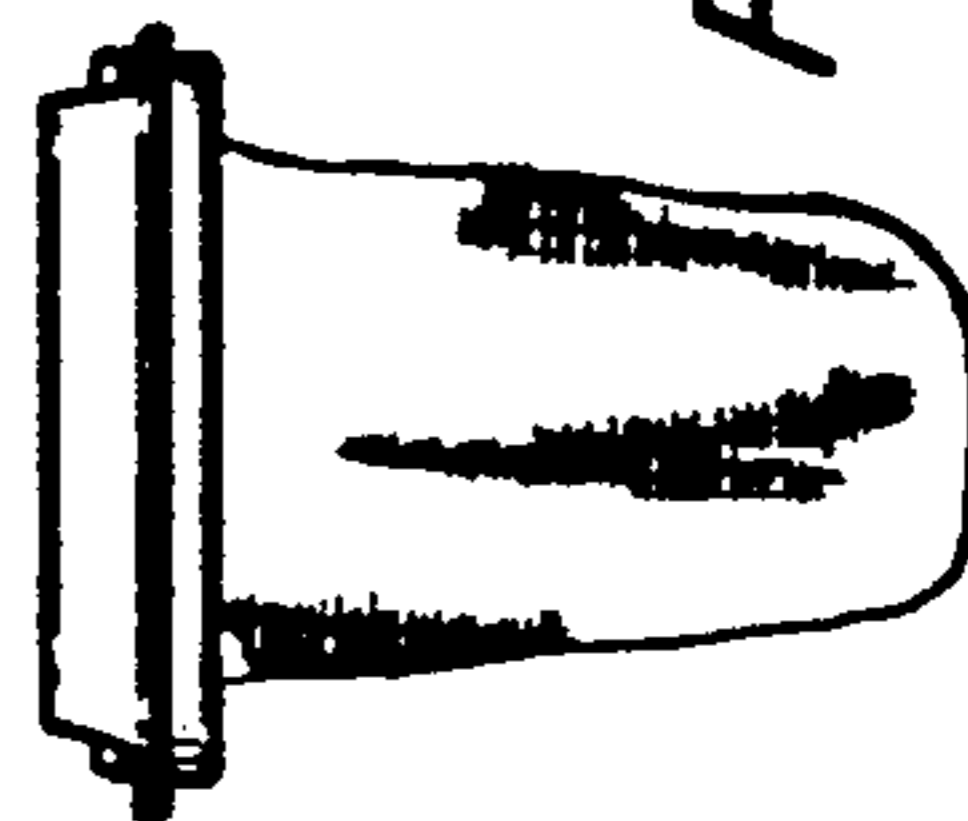


FIG. 6

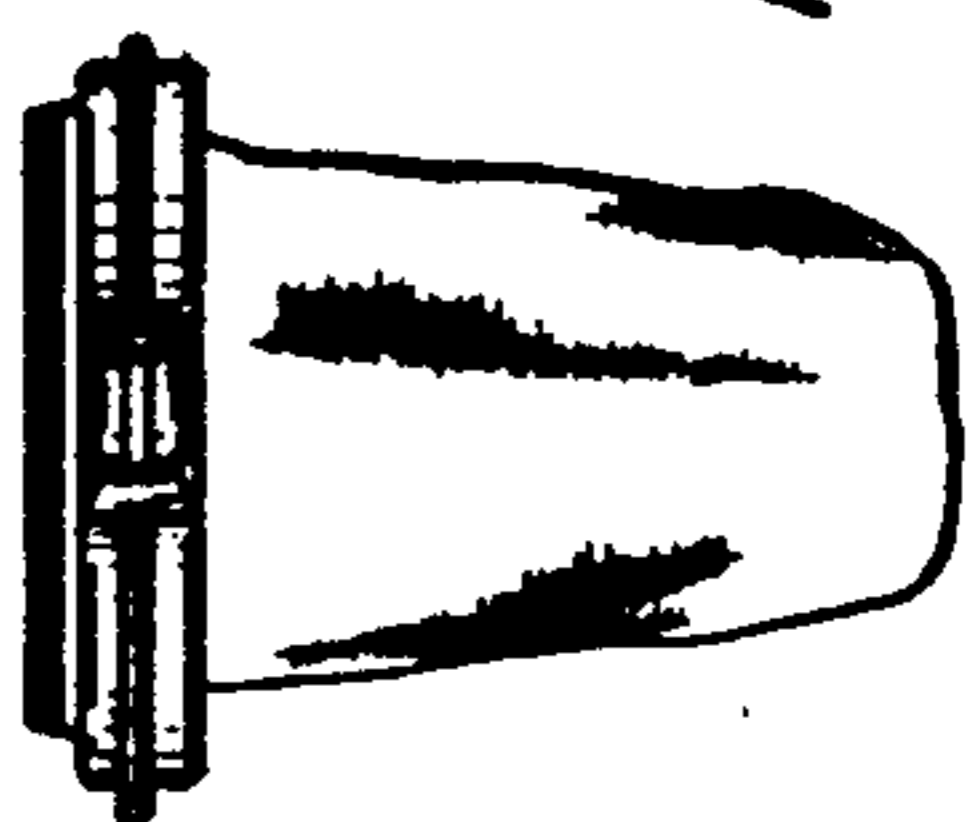


FIG. 7