



US00D330434S

United States Patent [19]

[11] Patent Number: **Des. 330,434**

Watters

[45] Date of Patent: **** Oct. 20, 1992**

[54] **MOLDING**

3,309,832 3/1967 Filsinger 52/287

[75] Inventor: **Jeffrey R. Watters, Rowlett, Tex.**

Primary Examiner—A. Hugo Word

[73] Assignee: **Oceanic Systems, Inc., Garland, Tex.**

Assistant Examiner—Doris Clark

[**] Term: **14 Years**

Attorney, Agent, or Firm—Ross, Howison, Clapp & Korn

[21] Appl. No.: **617,519**

[57] **CLAIM**

[22] Filed: **Nov. 21, 1990**

The ornamental design for a "Molding", as shown and described.

[52] U.S. Cl. **D25/136; D6/300**

[58] Field of Search **D25/119, 136; 52/273-274, 287-290, 827; D6/300**

DESCRIPTION

[56] **References Cited**

U.S. PATENT DOCUMENTS

D. 34,722	7/1901	Cole	D25/119
D. 222,691	12/1971	Lindal	D25/136
D. 239,237	3/1976	Vihma	D25/119
1,964,304	6/1934	Techmer	52/290

FIG. 1 is a perspective view of a molding showing my new design;

FIG. 2 is a left side elevational view thereof, the right side being a mirror image;

FIG. 3 is a top plan view thereof;

FIG. 4 is a front elevational view thereof;

FIG. 5 is a bottom plan view thereof; and,

FIG. 6 is a rear elevational view thereof.

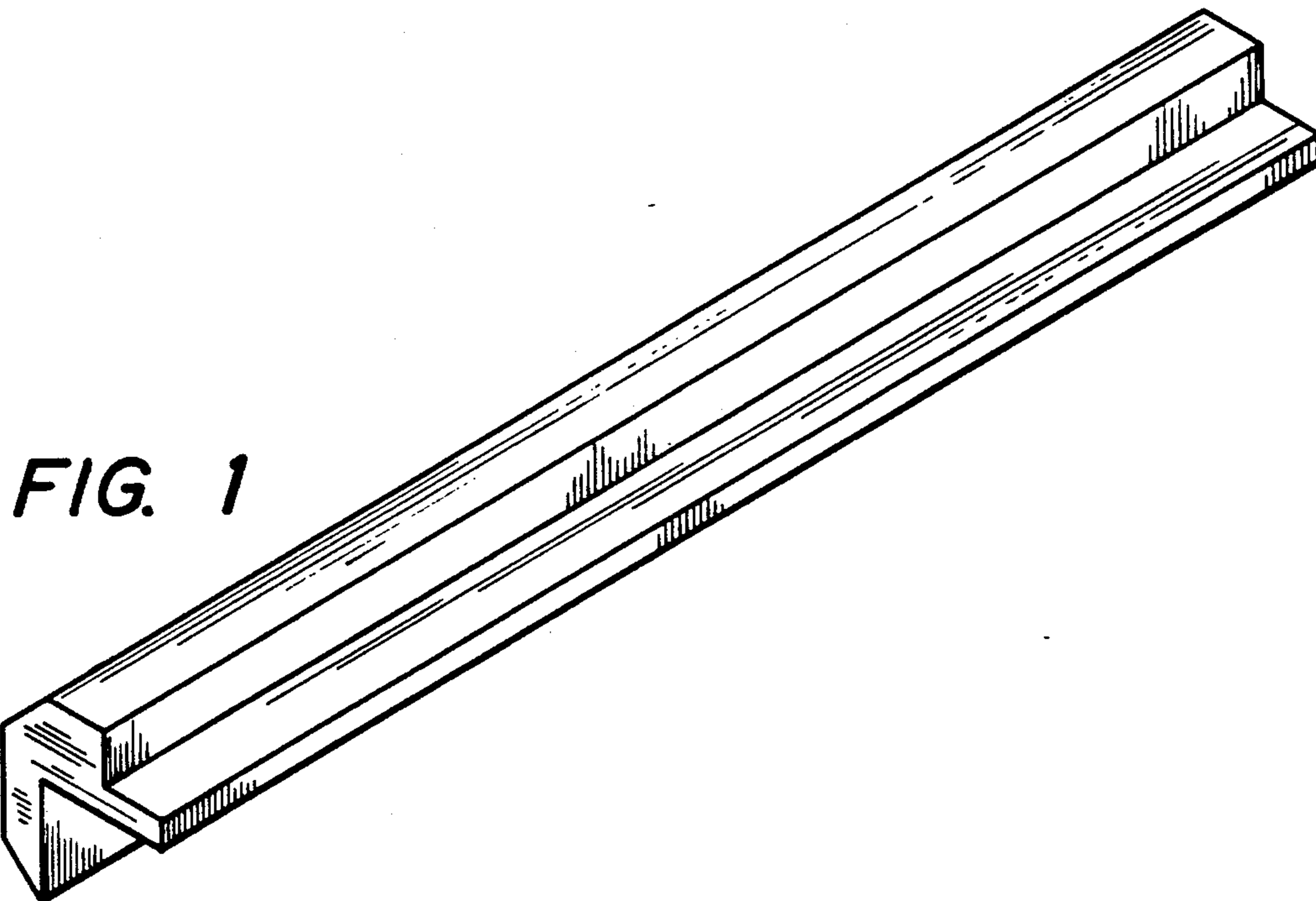


FIG. 1

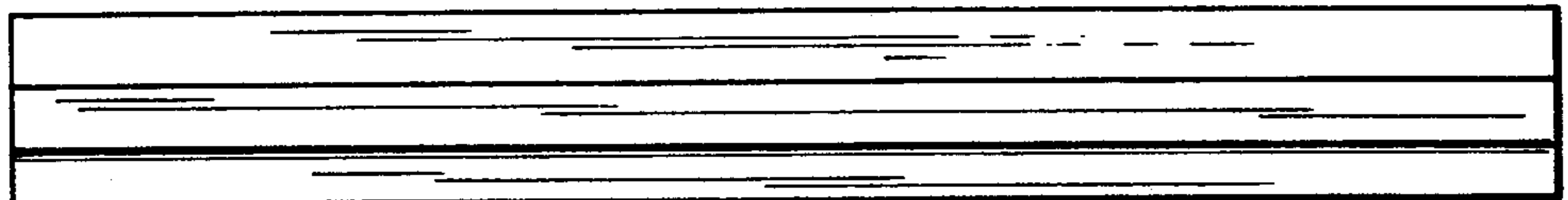
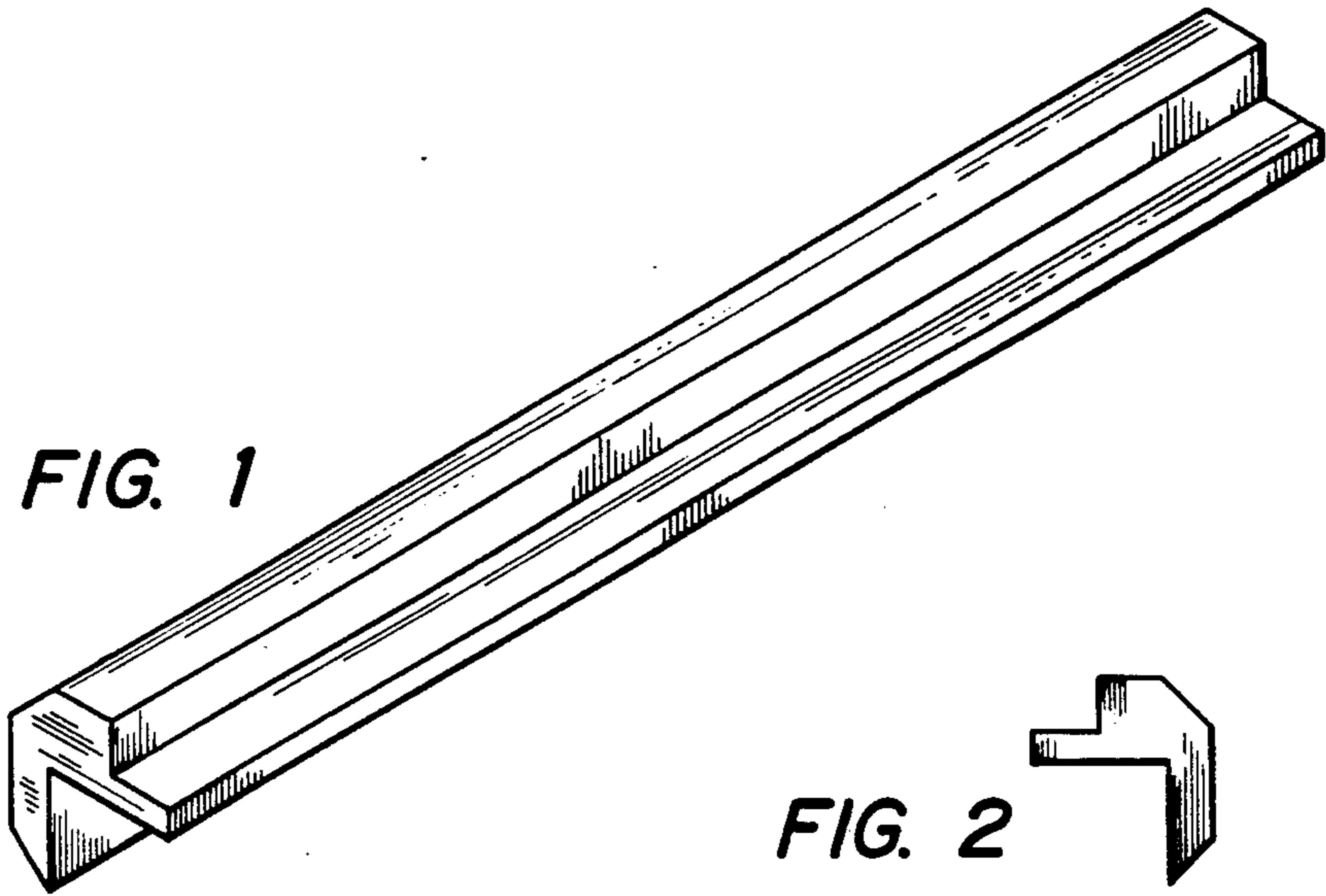


FIG. 3

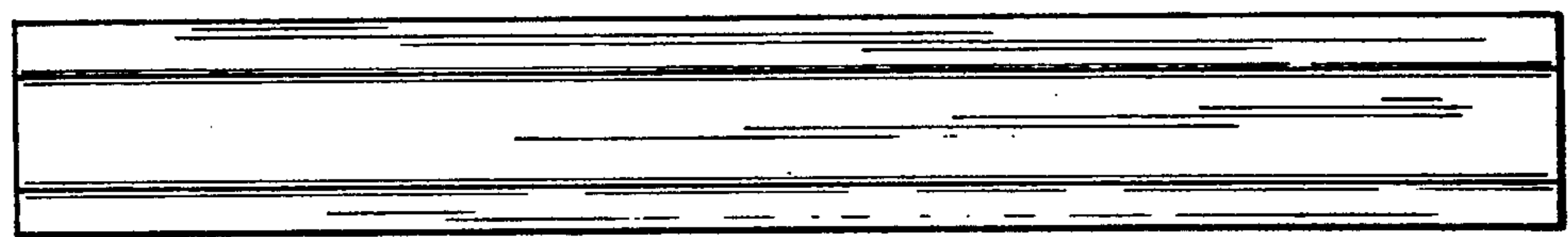


FIG. 4

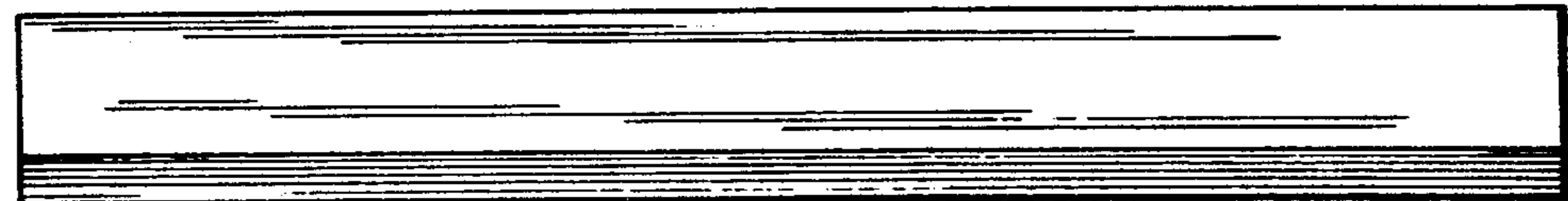


FIG. 5

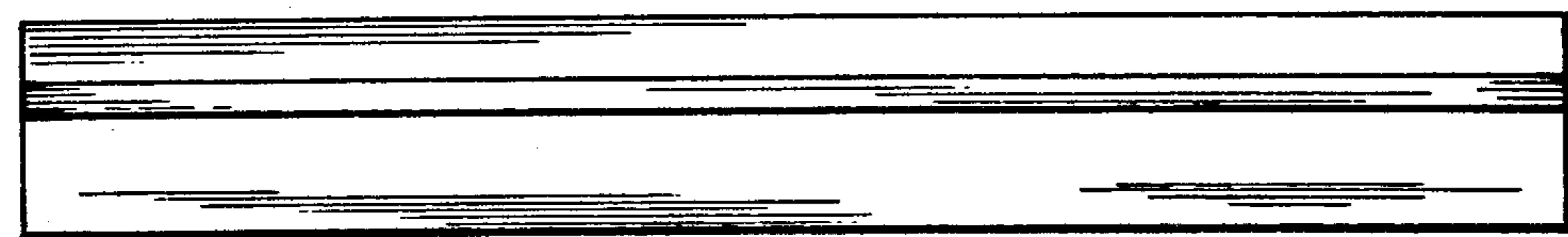


FIG. 6