



US00D330433S

# United States Patent [19]

[11] Patent Number: **Des. 330,433**

Valentin

[45] Date of Patent: **\*\* Oct. 20, 1992**

[54] EXTRUSION FOR USE IN CONSTRUCTION OF A WINDOW

[56] References Cited

[75] Inventor: Volker S. Valentin, Indiana, Pa.

### U.S. PATENT DOCUMENTS

[73] Assignee: L.B. Plastics Limited, Belper, England

D. 263,754	4/1982	Dallaire .....	D25/122
D. 263,755	4/1982	Dallaire .....	D25/122
D. 307,801	5/1990	Westphal et al. ....	D25/124
5,014,466	5/1991	Winner .....	49/504

[\*] Notice: The portion of the term of this patent subsequent to Oct. 13, 2006 has been disclaimed.

Primary Examiner—A. Hugo Word  
Assistant Examiner—Doris Clark  
Attorney, Agent, or Firm—W. Thad Adams, III

[\*\*] Term: 14 Years

### [57] CLAIM

[21] Appl. No.: 539,036

The ornamental design of an extrusion for use in the construction of a window, as shown and described.

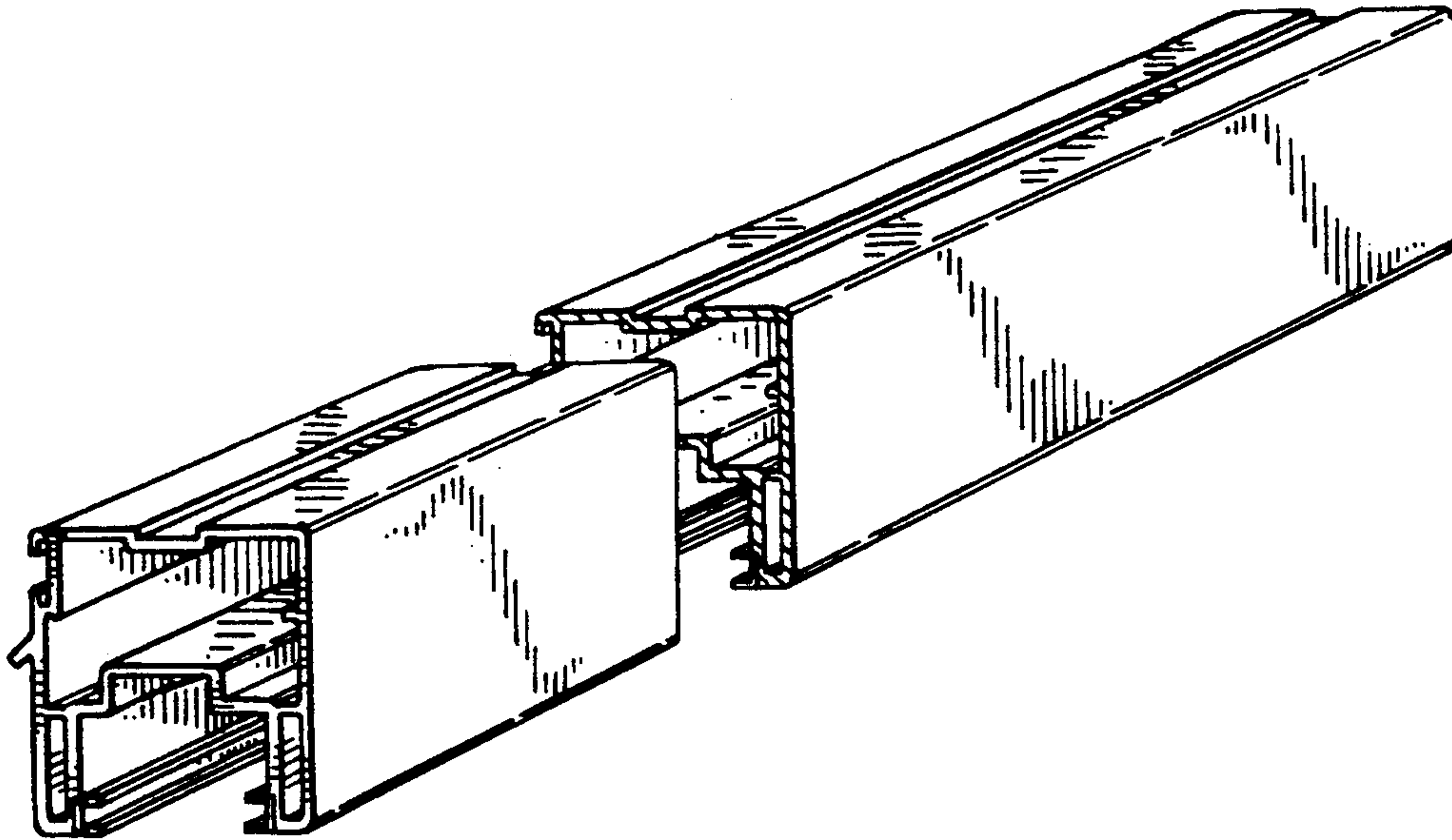
[22] Filed: Jun. 15, 1990

### DESCRIPTION

[52] U.S. Cl. .... D25/124

[58] Field of Search ..... D25/52, 119-125; 149/502, 501, 504, DIG. 122; 52/171

FIG. 1 is a perspective view of an extrusion for use in the construction of a window showing my new design, the center being broken away to indicate indeterminate length; and, FIG. 2 is an end elevational view thereof.



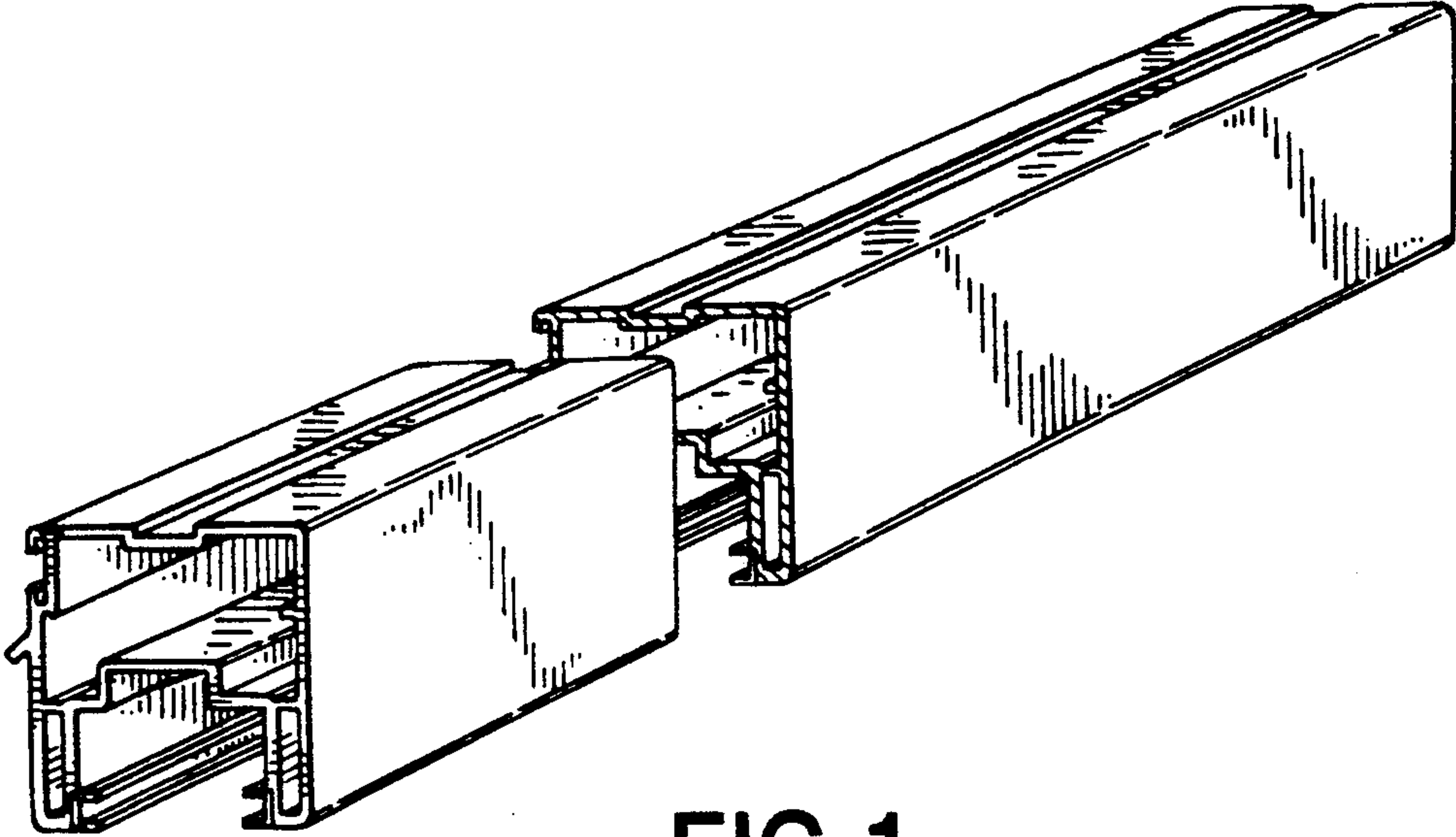


FIG. 1

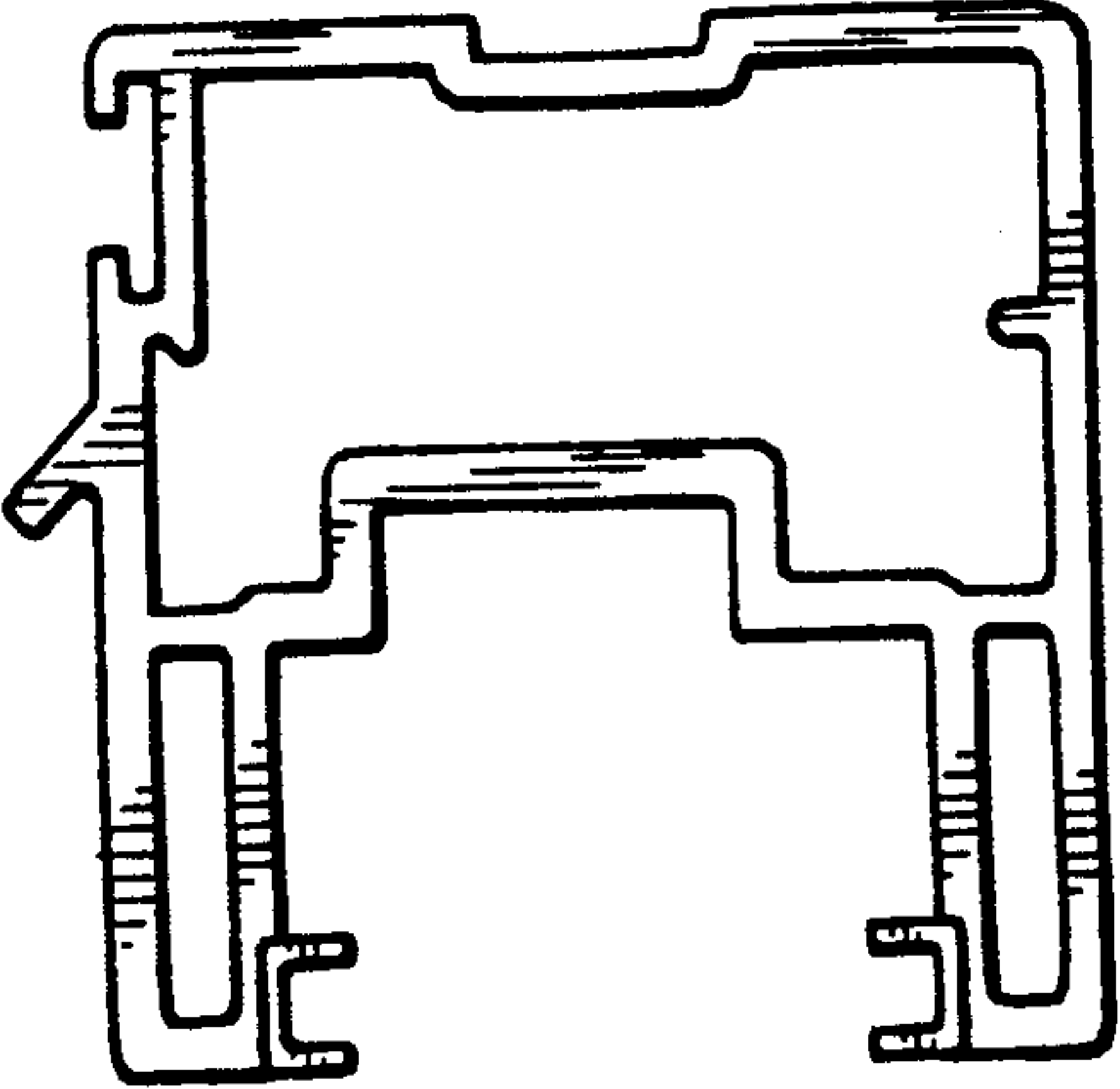


FIG. 2