



US00D330432S

United States Patent [19]

[11] Patent Number: **Des. 330,432**

Weinerman

[45] Date of Patent: **** Oct. 20, 1992**

[54] **EXTRUSION FOR USE WITH DOORS FORMED FROM SPACED PANELS**

[75] Inventor: **Les S. Weinerman, Medina, Ohio**

[73] Assignee: **The Eastern Company, Cleveland, Ohio**

[**] Term: **14 Years**

[21] Appl. No.: **516,218**

[22] Filed: **Apr. 30, 1990**

[52] U.S. Cl. **D25/119**

[58] Field of Search **D25/119, 120, 121, 58, D25/48; 52/463, 464, 716; 49/394, 395, 495, 501, 381; 292/218**

3,886,686	6/1975	Urbanick	49/488
3,950,894	4/1976	DiMaio	49/394 X
4,014,138	3/1977	White	49/367
4,068,409	1/1978	White	49/367
4,498,264	2/1985	McCafferty et al.	52/281
4,660,872	4/1987	Carson et al.	292/218
4,774,790	10/1988	Hopper	52/463
4,943,110	7/1990	Pastva	292/218
4,953,324	9/1990	Hermann	49/258

FOREIGN PATENT DOCUMENTS

502565	5/1954	Canada	49/495
2517108	10/1975	Fed. Rep. of Germany	49/394
2320414	8/1975	France	49/501
448794	4/1968	Switzerland	49/394
1249311	10/1971	United Kingdom	292/218

Primary Examiner—A. Hugo Word

Assistant Examiner—Doris Clark

Attorney, Agent, or Firm—David A. Burge

[56] **References Cited**

U.S. PATENT DOCUMENTS

D. 304,086	10/1989	Eads	D25/119
1,919,328	7/1933	Hansen	49/395 X
2,071,236	2/1937	Pierce	49/495 X
2,505,945	5/1950	Dath	292/218 X
2,558,824	7/1951	Dath	292/218 X
2,560,308	7/1951	Spraragen	49/495 X
2,596,353	5/1952	Zollinger	292/218
2,753,602	7/1956	Ringle	52/127.1
3,010,549	11/1961	Ferreira et al.	49/395
3,055,969	9/1962	Schaller, Jr.	49/395 X
3,132,893	5/1964	Herr et al.	49/394 X
3,518,792	7/1970	Williamson et al.	49/488
3,596,403	8/1971	Carr	49/395 X
3,660,940	5/1972	Iavano	49/395
3,691,688	9/1972	Kaiserswerth	49/394
3,717,955	2/1973	Urbanick	49/488
3,756,671	9/1973	White	308/15
3,841,516	10/1974	Marz	49/394 X

[57] **CLAIM**

The ornamental design for an extrusion for use with doors formed from spaced panels, as shown and described.

DESCRIPTION

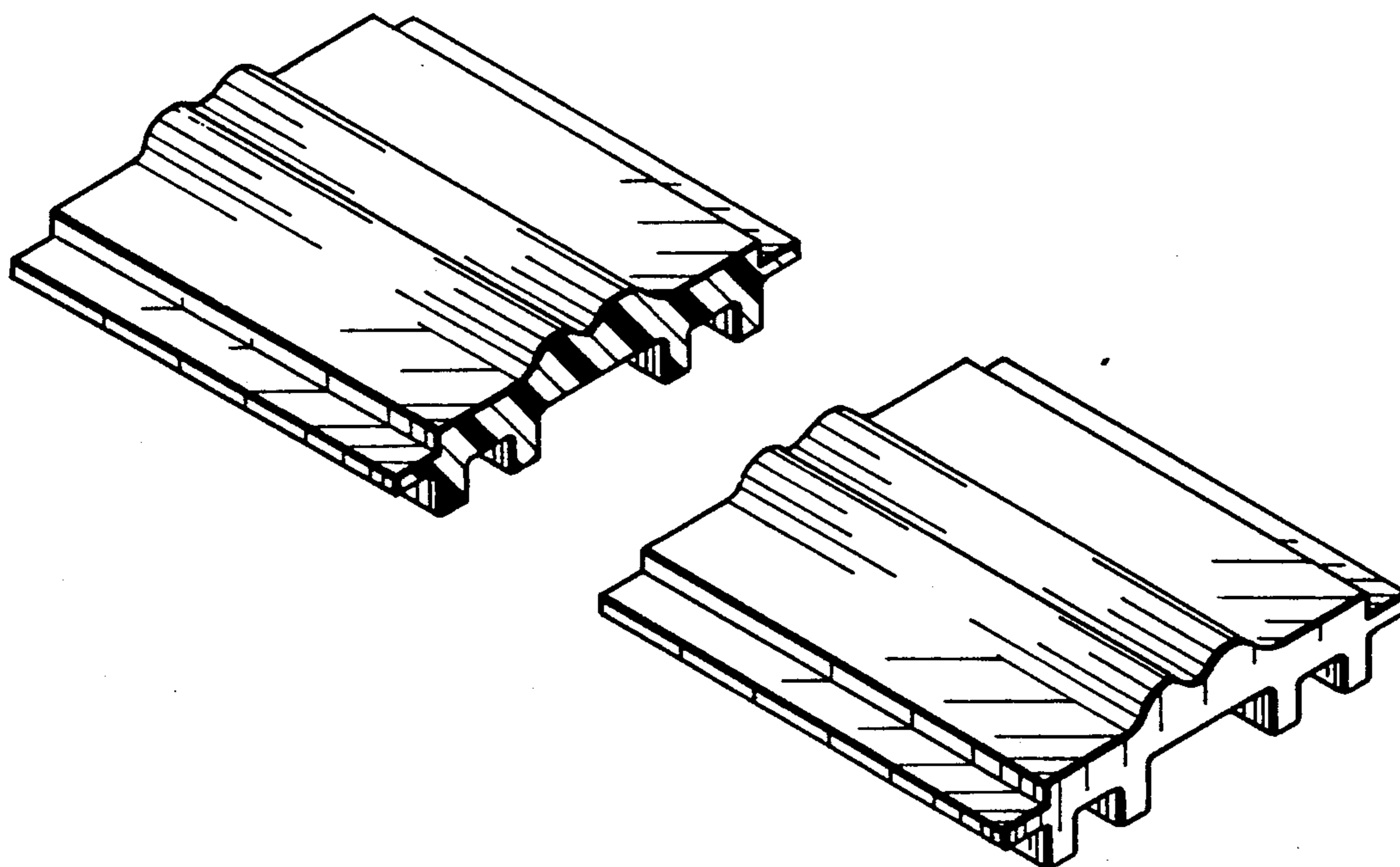
FIG. 1 is a top perspective view of an extrusion for use with doors formed from spaced panels showing my new design;

FIG. 2 is a bottom perspective view thereof;

FIG. 3 is an end elevational view thereof;

FIG. 4 is a front elevational view thereof, the broken lines showing a door are for illustrative purposes only and form no part of the claimed design; and,

FIG. 5 is a cross-sectional view taken along line 5—5 of FIG. 4.



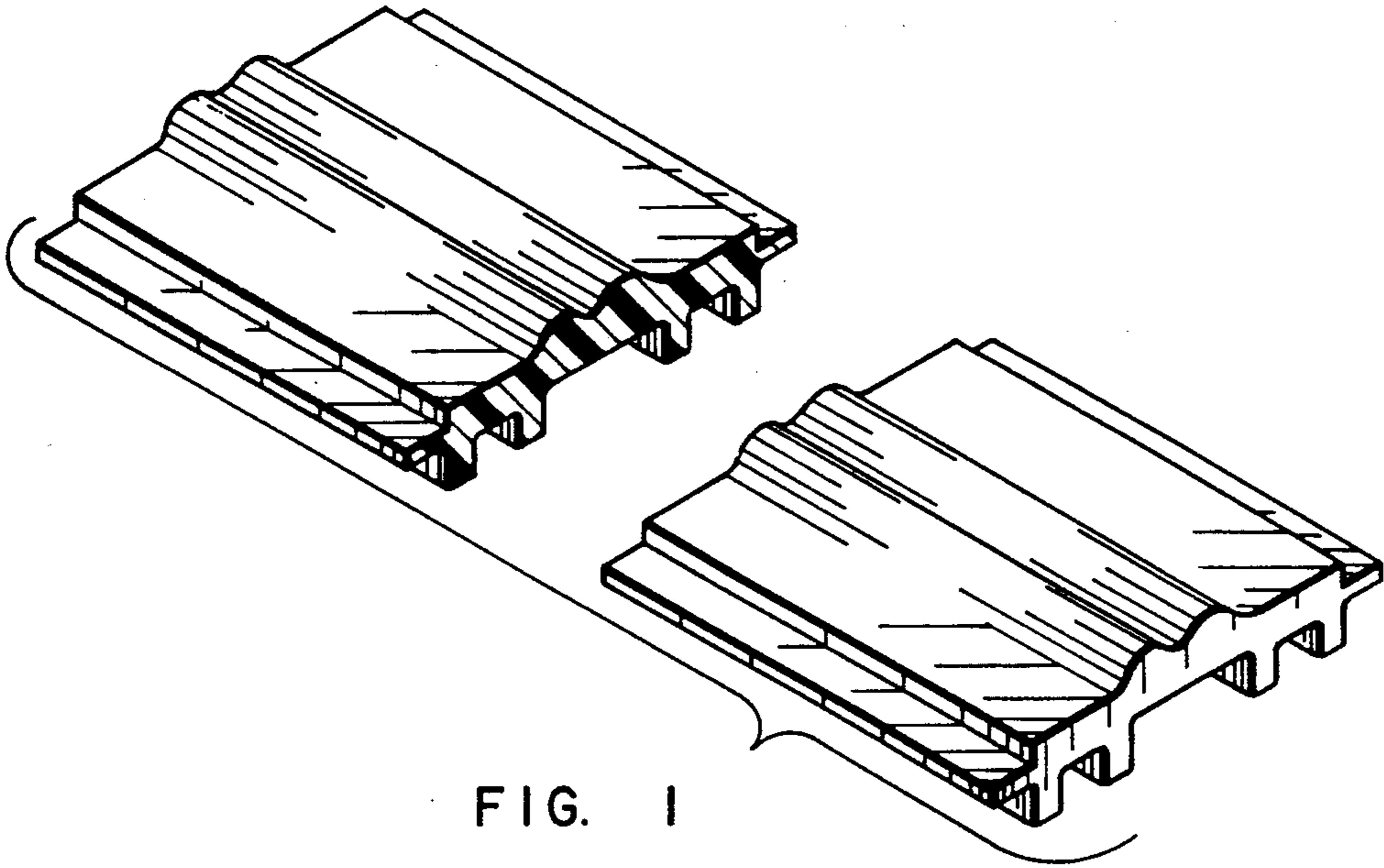


FIG. 1

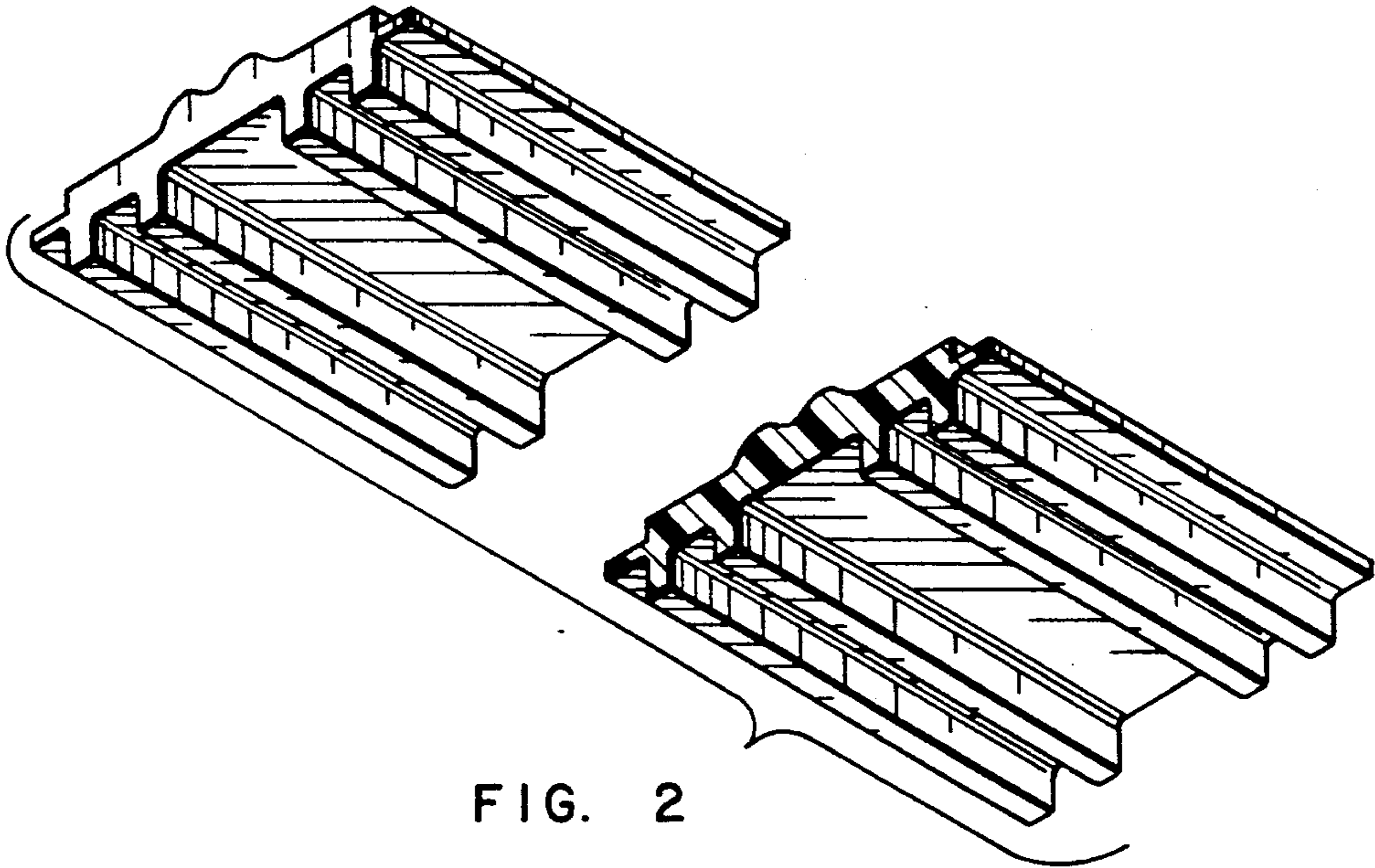


FIG. 2



FIG. 3

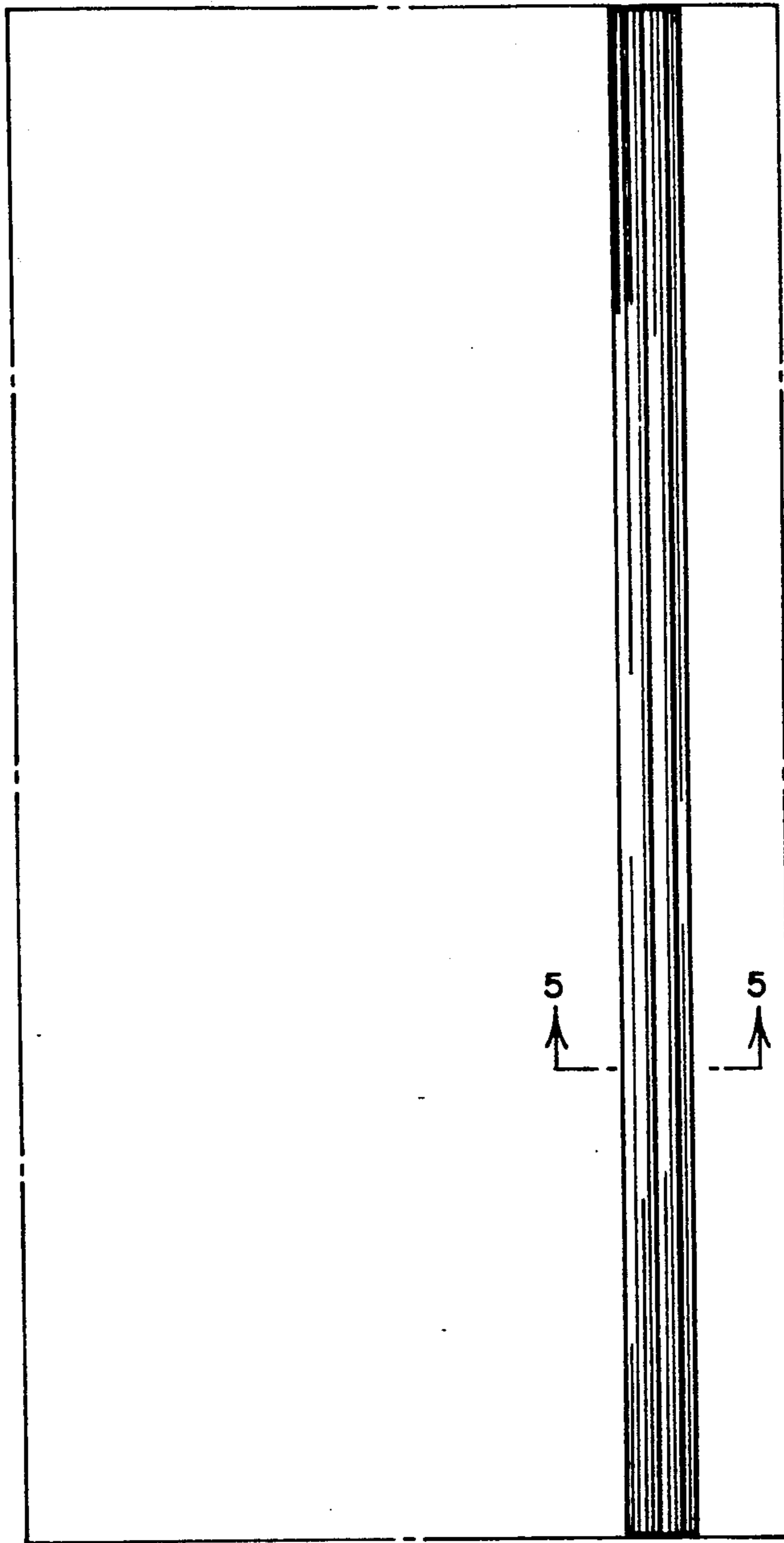


FIG. 4



FIG. 5