



US00D330431S

# United States Patent [19]

Wang

[11] Patent Number: Des. 330,431

[45] Date of Patent: \*\* Oct. 20, 1992

[54] ALUMINUM EXTRUSION

[75] Inventor: Castle Wang, Taipei, Taiwan

[73] Assignee: Cobbs Manufacturing Company, Des Moines, Iowa

[\*\*] Term: 14 Years

[21] Appl. No.: 359,714

[22] Filed: May 31, 1989

[52] U.S. Cl. .... D25/119

[58] Field of Search ..... D25/119-125; 49/413, 502, 504, DIG. 1; 52/579, 795, 823, 824

4,285,166 8/1981 Ishida ..... 49/DIG. 1  
 4,375,736 3/1983 Teckchandari ..... D25/48

*Primary Examiner*—A. Hugo Word  
*Assistant Examiner*—Doris Clark  
*Attorney, Agent, or Firm*—Dick and Harris

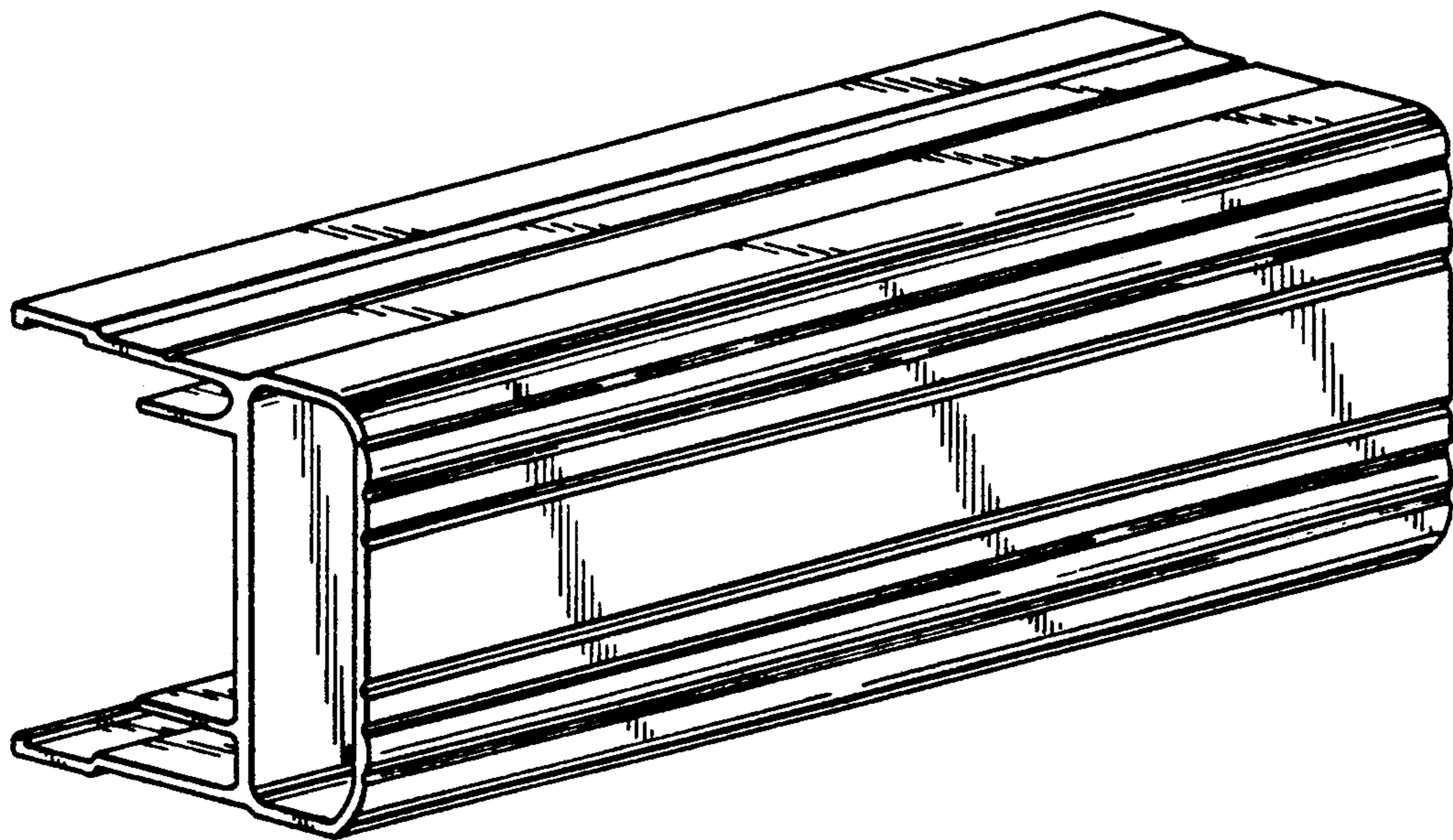
### [57] CLAIM

The ornamental design for an aluminum extrusion, as shown and described.

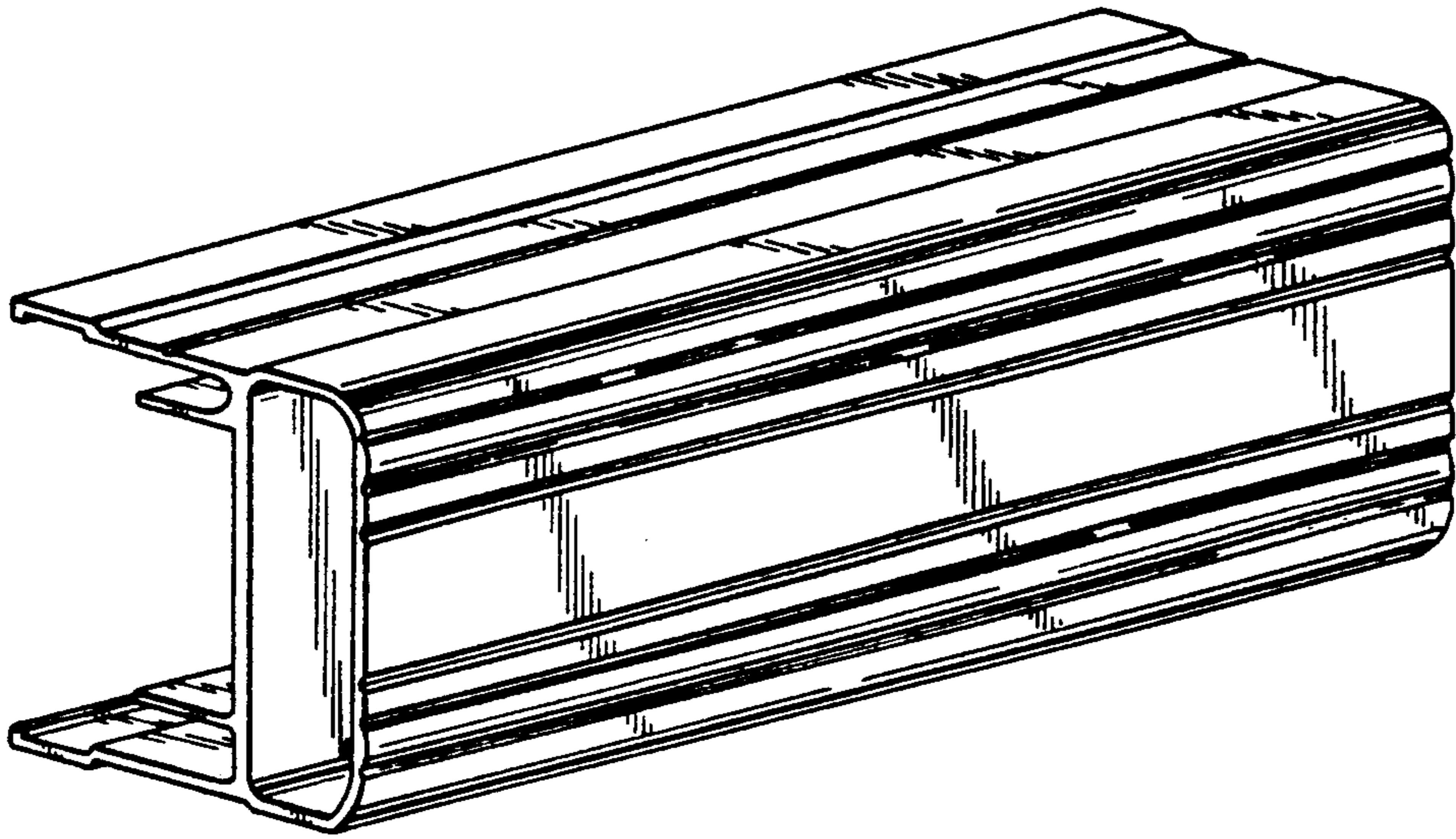
### DESCRIPTION

FIG. 1 is a perspective view of an aluminum extrusion, showing my new design;  
 FIG. 2 is a front elevational view thereof;  
 FIG. 3 is a rear elevational view thereof;  
 FIG. 4 is a left side elevational view thereof;  
 FIG. 5 is a right side elevational view thereof;  
 FIG. 6 is a top plan view thereof; and,  
 FIG. 7 is a bottom plan view thereof.

[56] **References Cited**  
**U.S. PATENT DOCUMENTS**  
 D. 237,264 10/1975 Edwards ..... D25/122  
 D. 301,067 5/1989 Dallaire et al. .... D25/124  
 3,566,541 3/1971 Coulter ..... 49/504



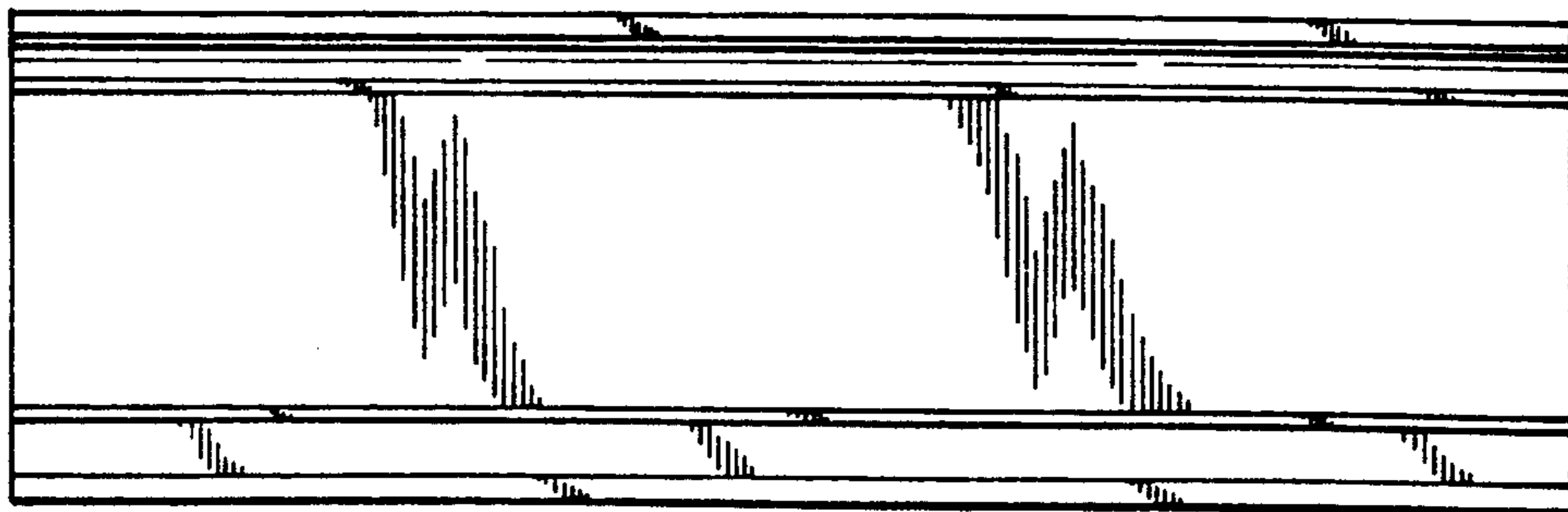
**FIG. 1**



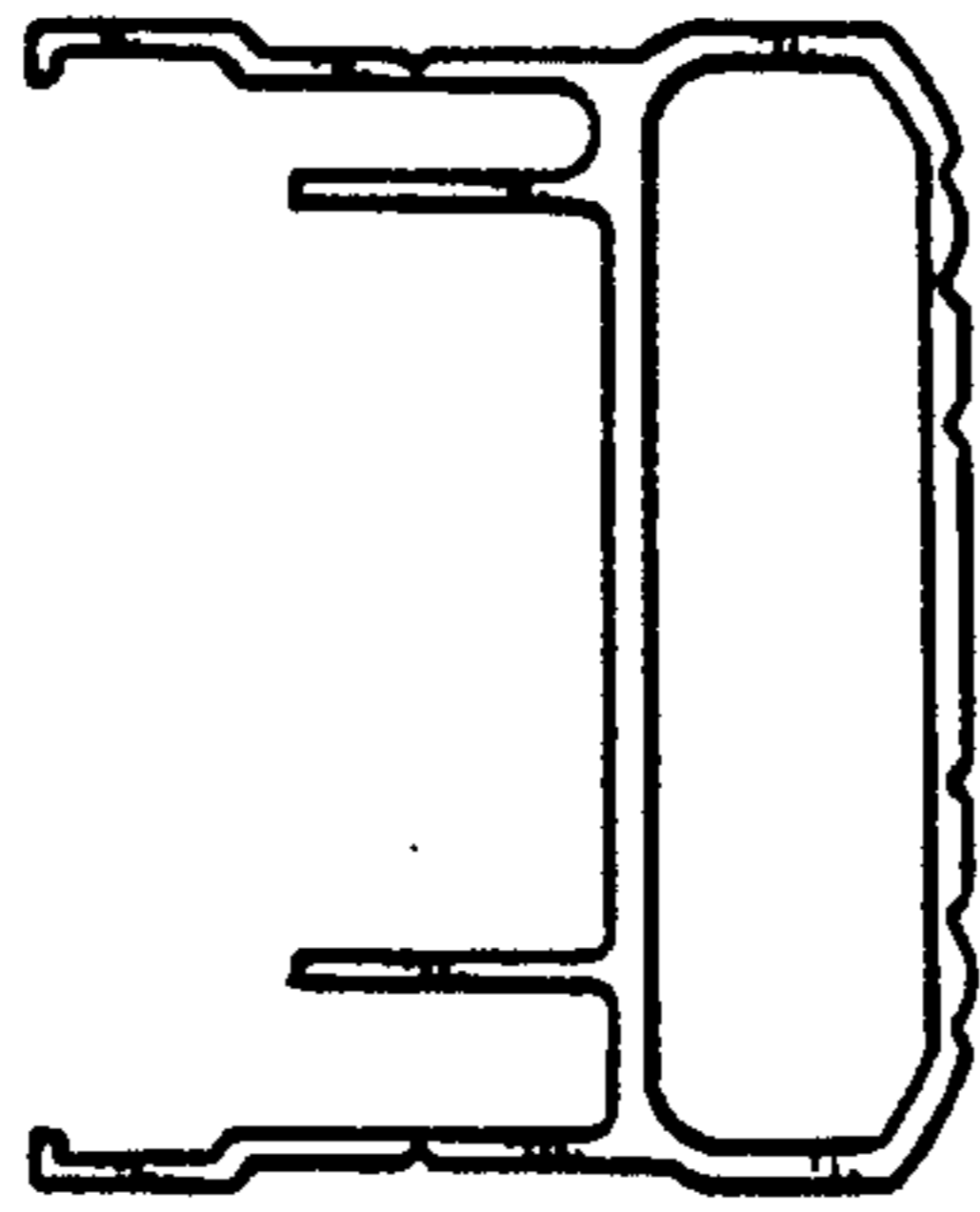
**FIG. 2**



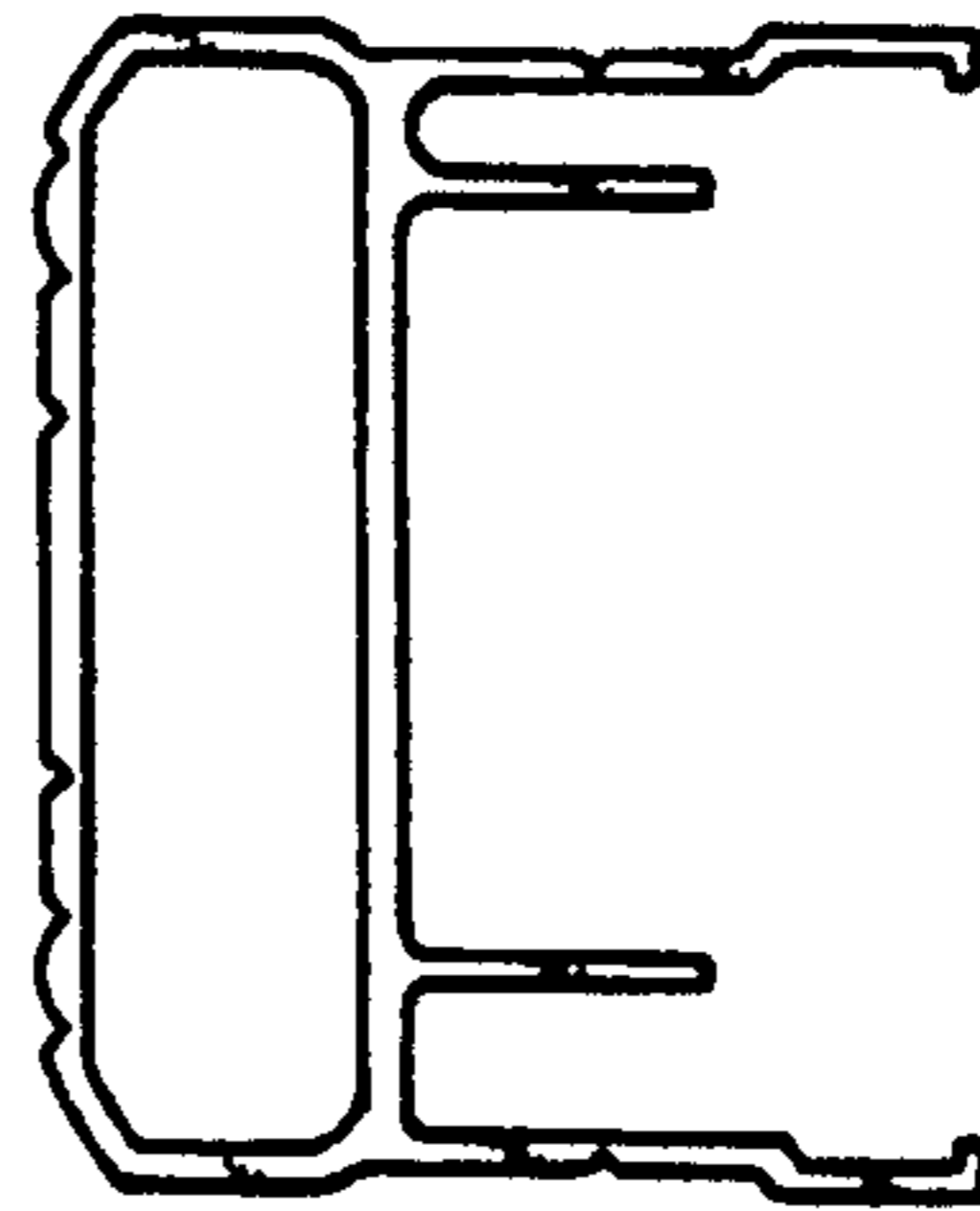
**FIG. 3**



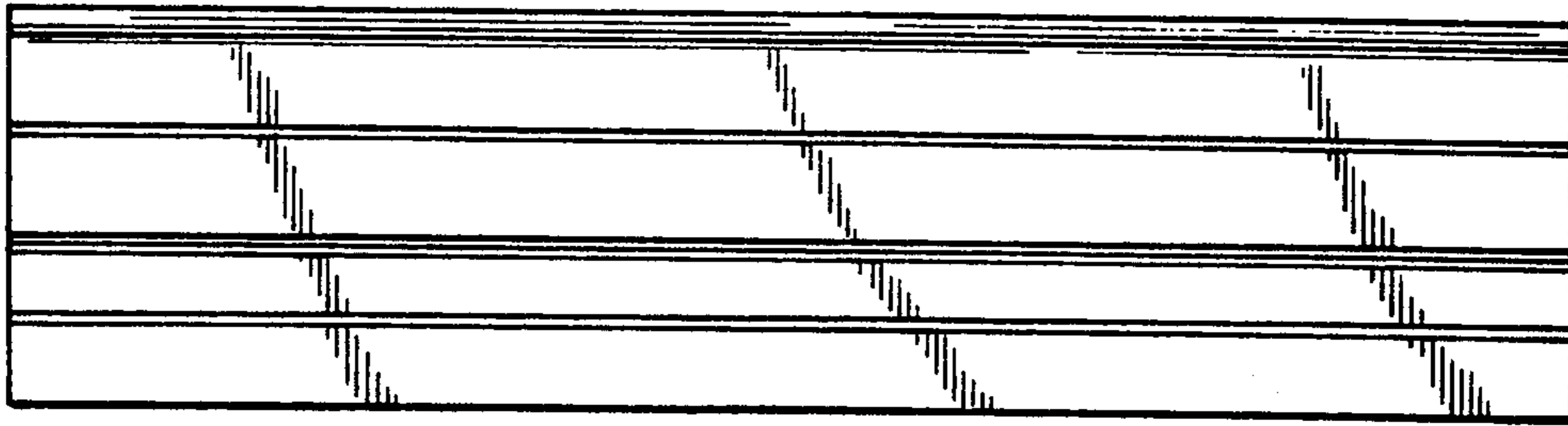
**FIG. 4**



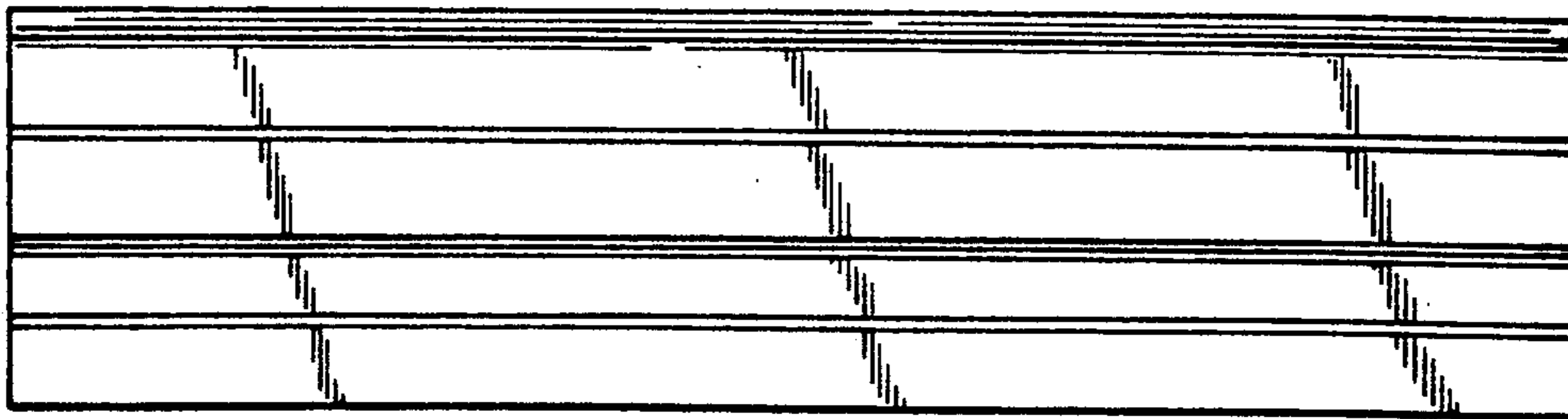
**FIG. 5**



**FIG. 6**



**FIG. 7**



UNITED STATES PATENT AND TRADEMARK OFFICE  
**CERTIFICATE OF CORRECTION**

PATENT NO. : D-330,431  
DATED : October 20, 1992  
INVENTOR(S) : Castle WANG

It is certified that error appears in the above-identified patent and that said Letters Patent is hereby corrected as shown below:

On the Title page, the Assignee is incorrect and should read  
--Palhood Industries Corporation, Taiwan, R.O.C.--;

On the Title page, the Attorney, Agent or Firm is incorrect  
and should read -- Wenderoth, Lind & Ponack --.

Signed and Sealed this  
Second Day of November, 1993

Attest:



BRUCE LEHMAN

Attesting Officer

Commissioner of Patents and Trademarks