



US00D330423S

United States Patent [19]

Kilber

[11] Patent Number: **Des. 330,423**

[45] Date of Patent: **** Oct. 20, 1992**

[54] **DENTAL X-RAY FILM HOLDER**

[76] Inventor: **Trudy Kilber, 527 Birchwood Dr., Bismarck, N. Dak. 58504**

[**] Term: **14 Years**

[21] Appl. No.: **489,618**

[22] Filed: **Mar. 7, 1990**

[52] U.S. Cl. **D24/156**

[58] Field of Search **D24/161; 433/80, 213-214, 433/229; 378/167, 168-170**

4,489,427 12/1984 Allison 378/168
 4,866,750 9/1989 Chavarria et al. 378/168
 5,001,738 3/1991 Brooks 378/170

Primary Examiner—Susan J. Lucas
Assistant Examiner—M. H. Tung
Attorney, Agent, or Firm—Terry M. Gernstein

[57] **CLAIM**

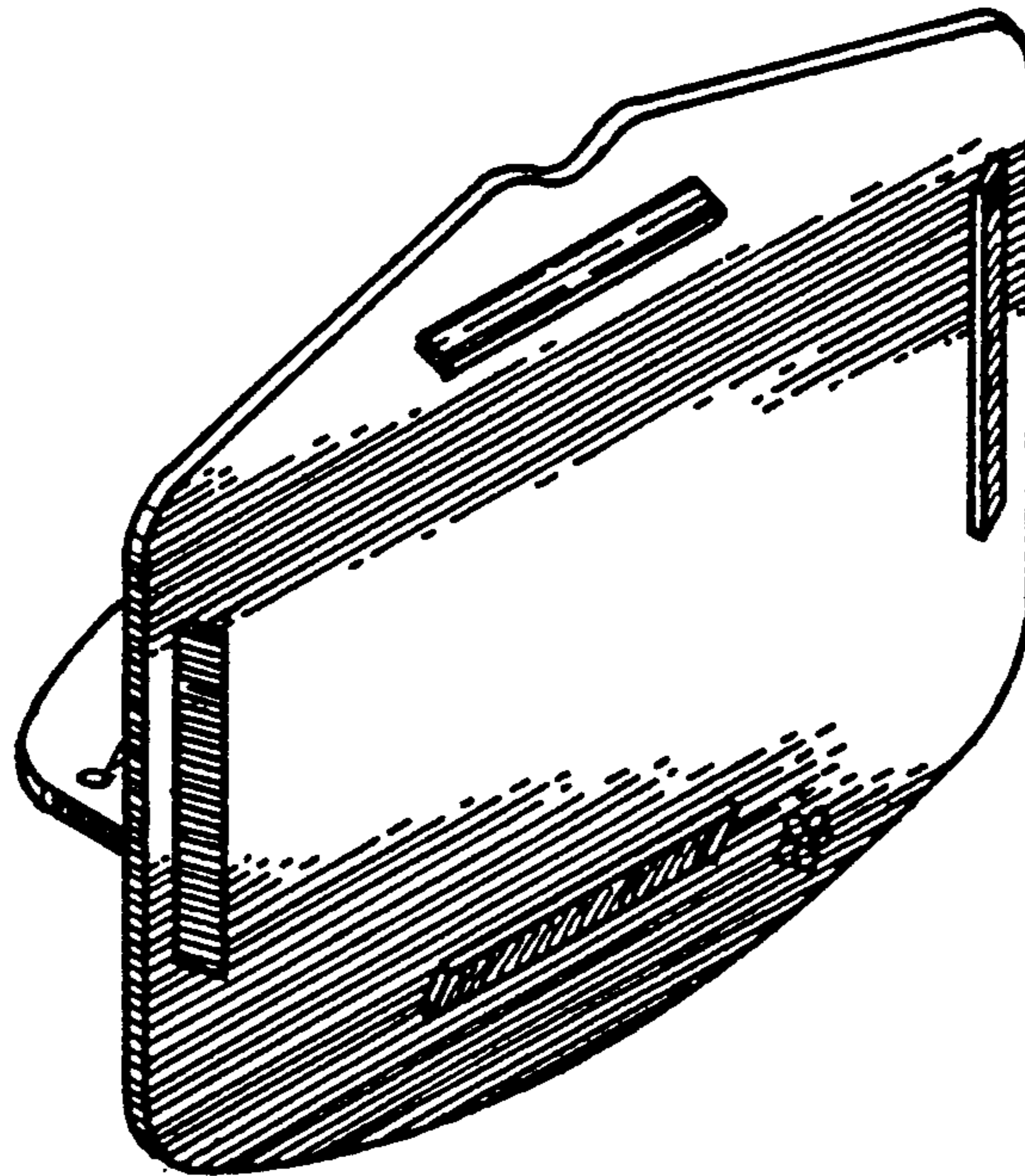
The ornamental design for a dental x-ray film holder, as shown and described.

DESCRIPTION

FIG. 1 is a top, front perspective view of a dental x-ray film holder showing my new design;
 FIG. 2 is a front elevational view thereof;
 FIG. 3 is a top plan view thereof;
 FIG. 4 is a side elevational view thereof;
 FIG. 5 is a side elevational view thereof;
 FIG. 6 is a rear elevational view thereof; and,
 FIG. 7 is a bottom view thereof.

[56] **References Cited**
U.S. PATENT DOCUMENTS

D. 283,157	3/1986	Maldonado et al.	D24/161
1,467,876	9/1923	Raper	378/168
2,084,092	6/1937	Kenney	378/168
2,239,569	4/1941	Poindexter	378/170 X
3,444,371	5/1969	Via	378/168
3,936,643	2/1976	Toner	378/168



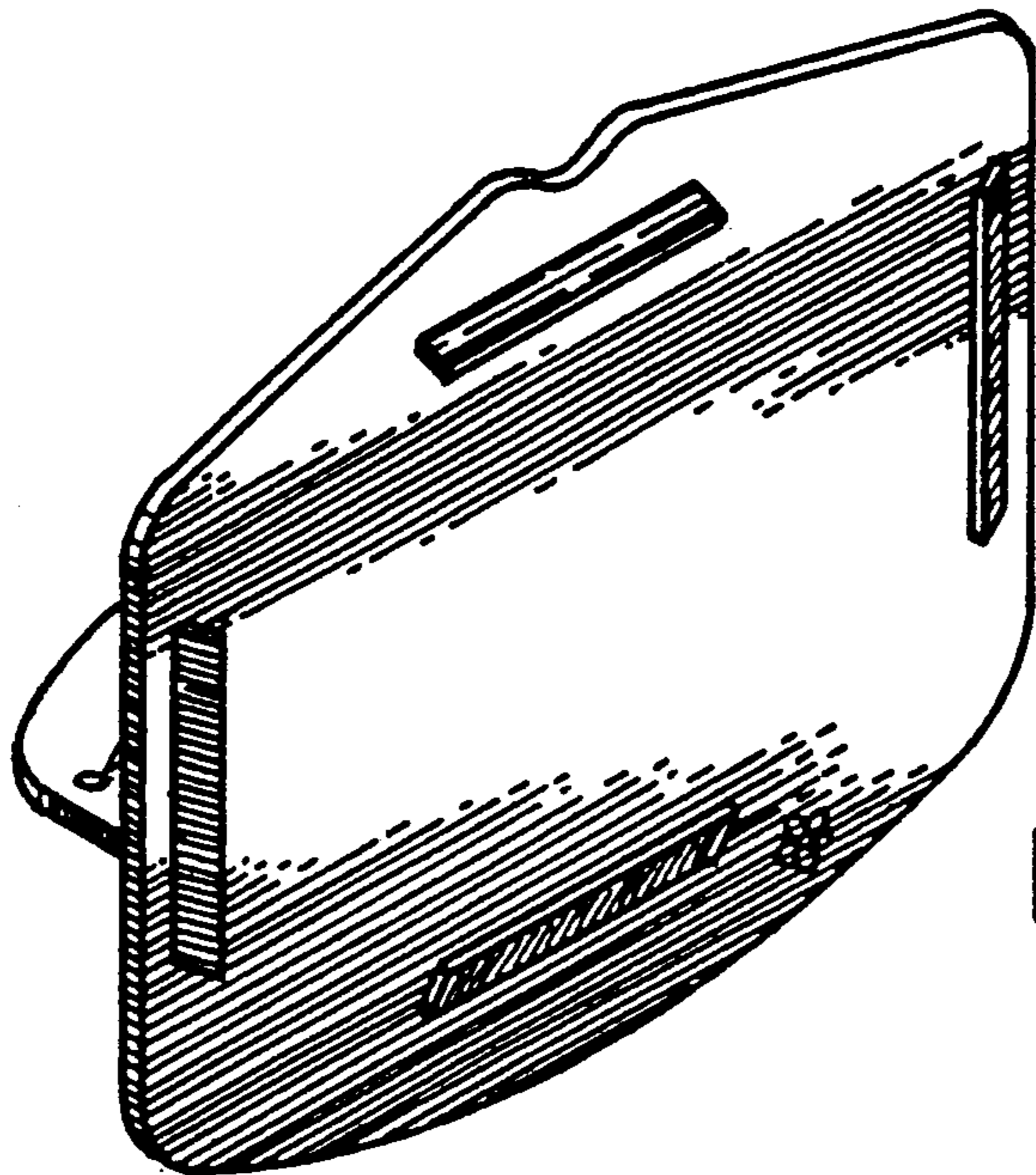


FIG. 1

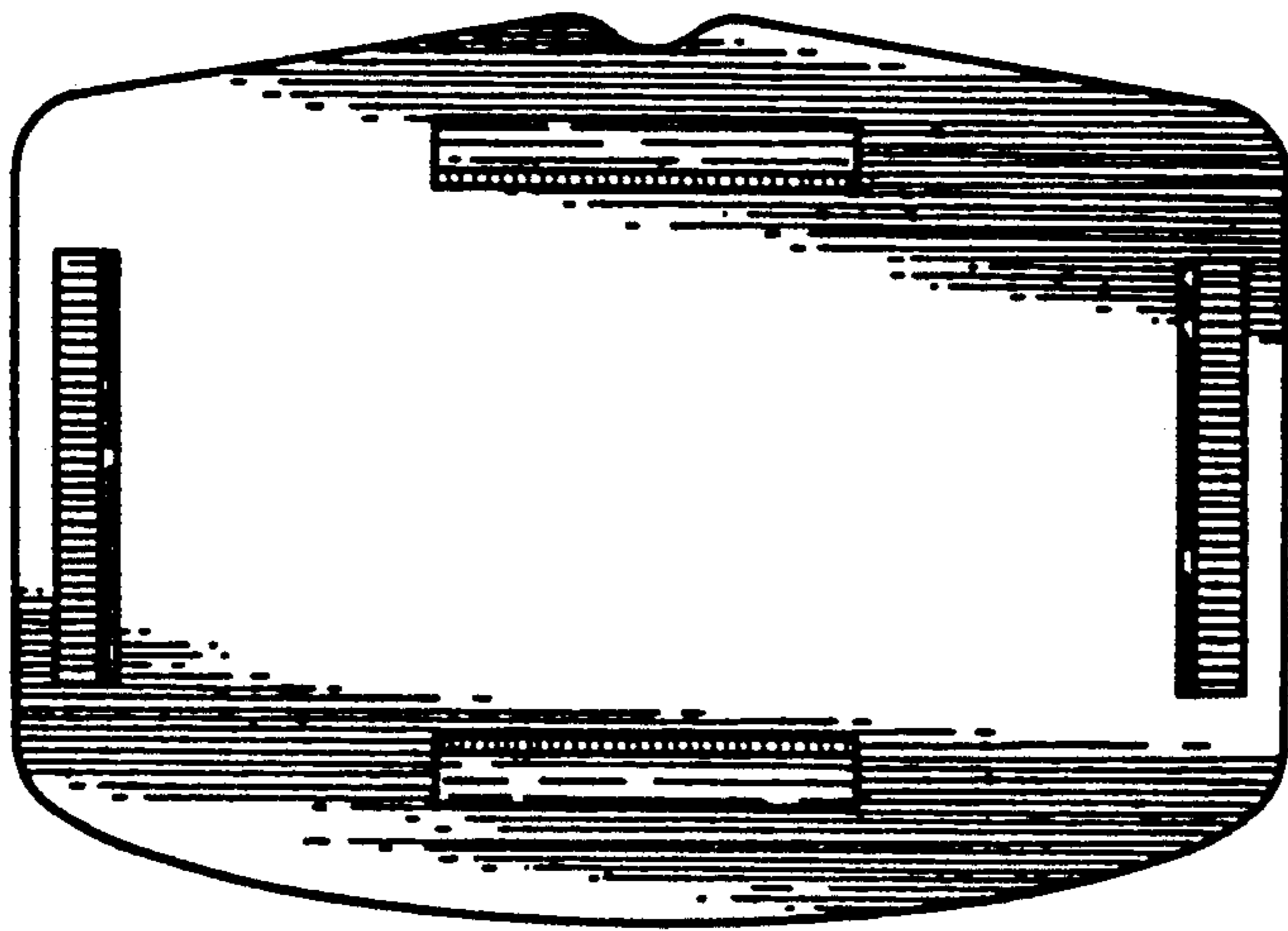


FIG. 2

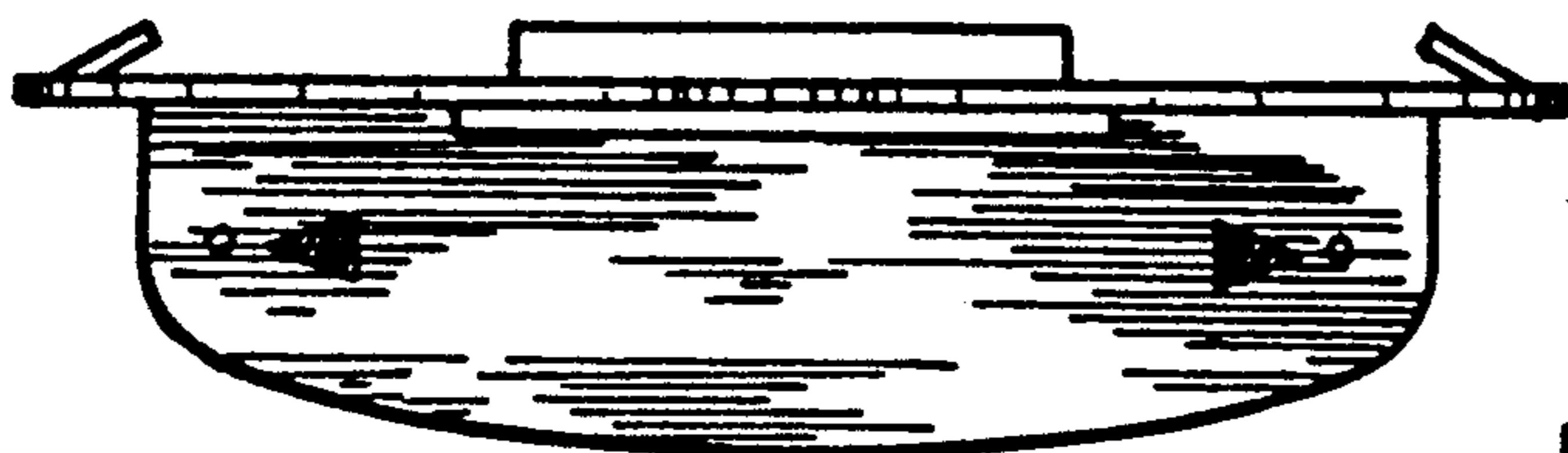


FIG. 3

FIG. 4

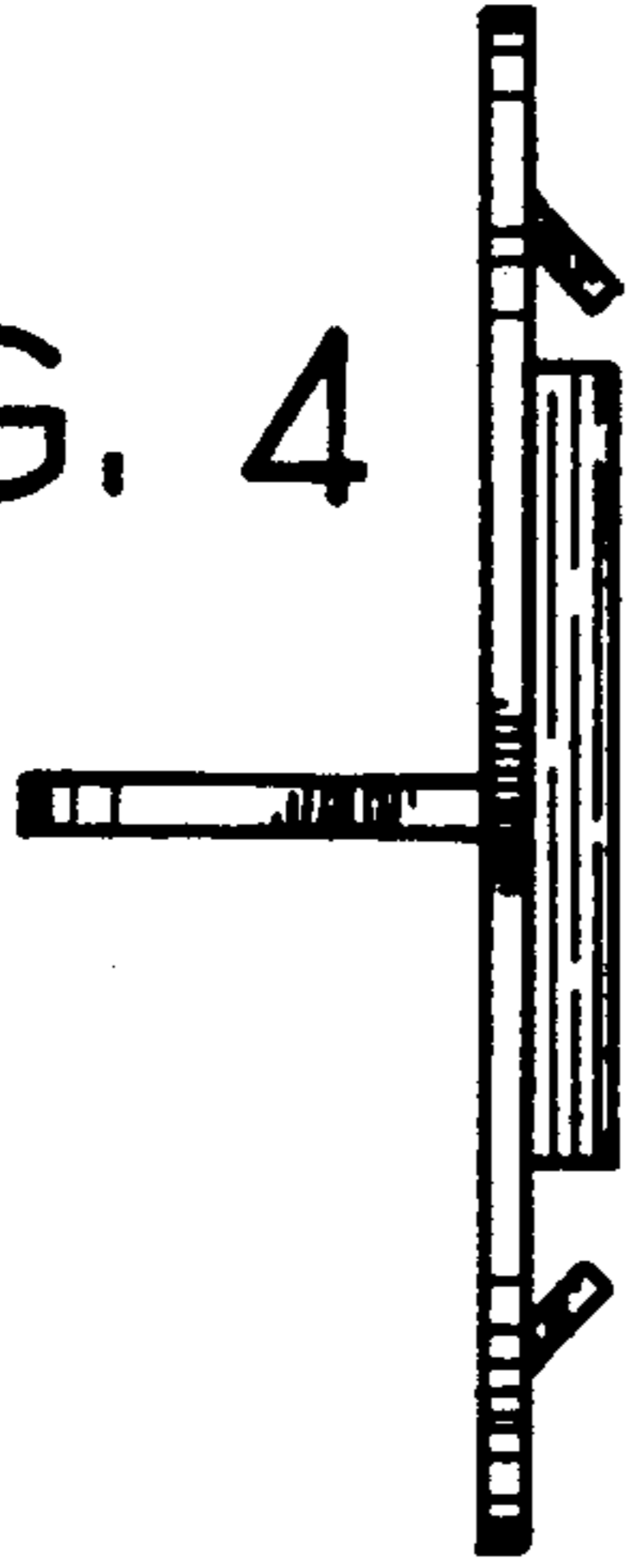


FIG. 5

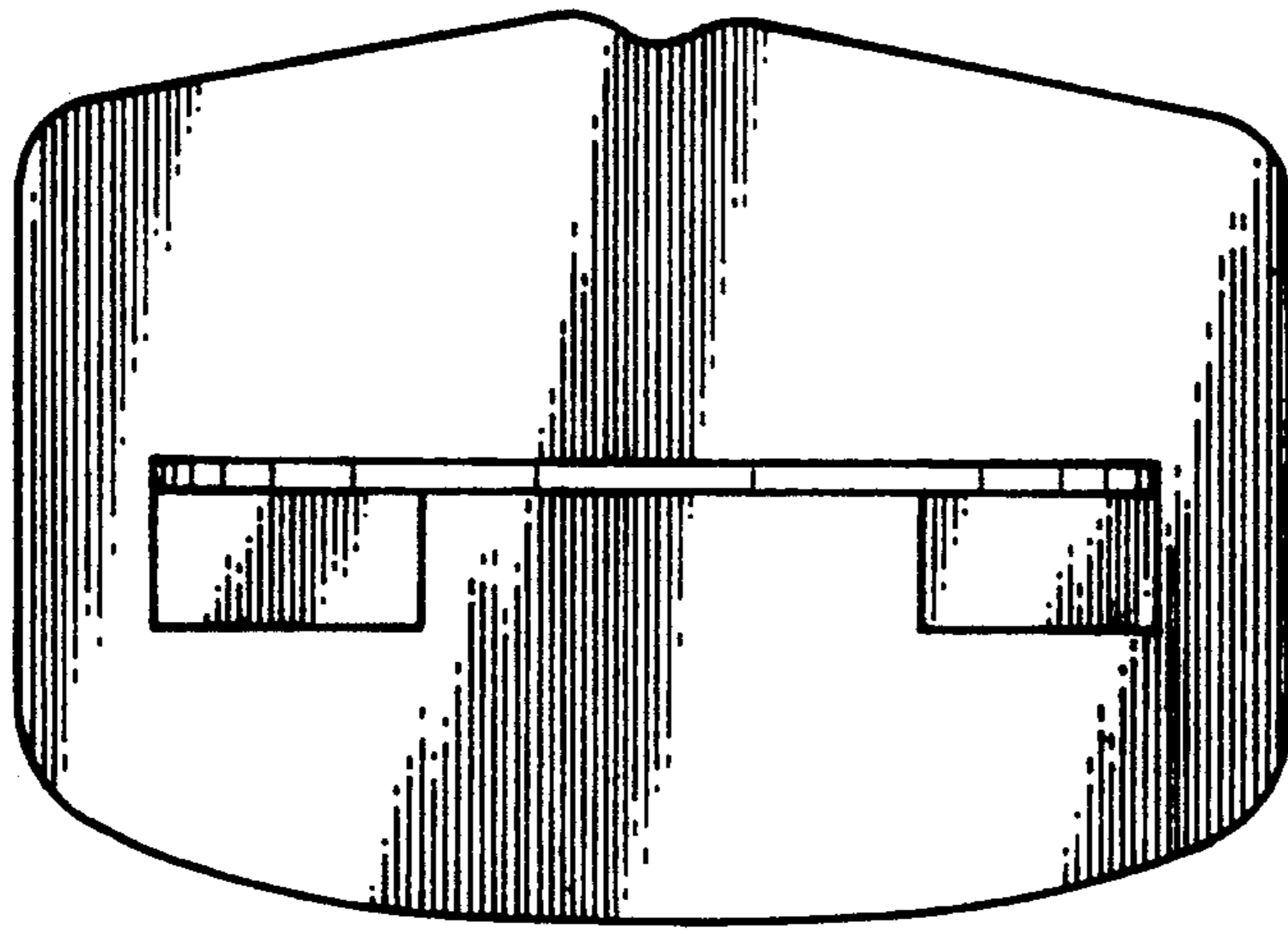
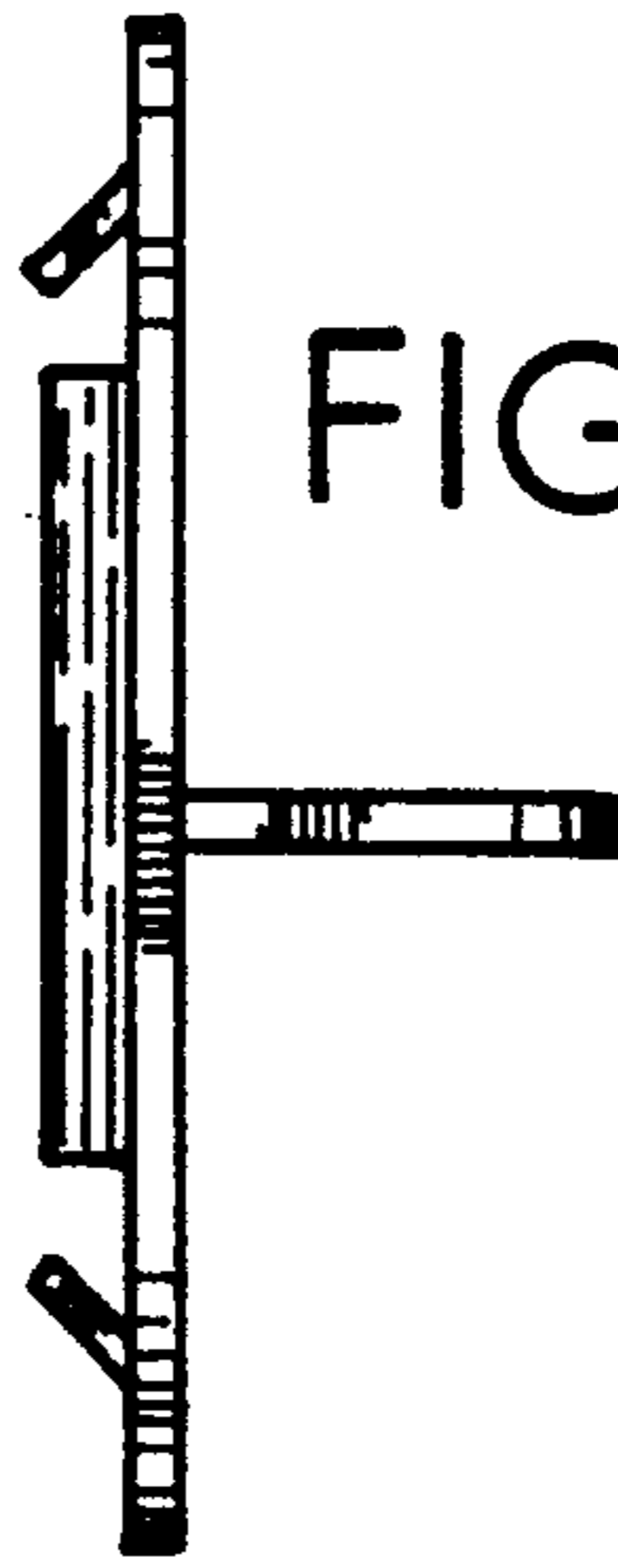


FIG. 6

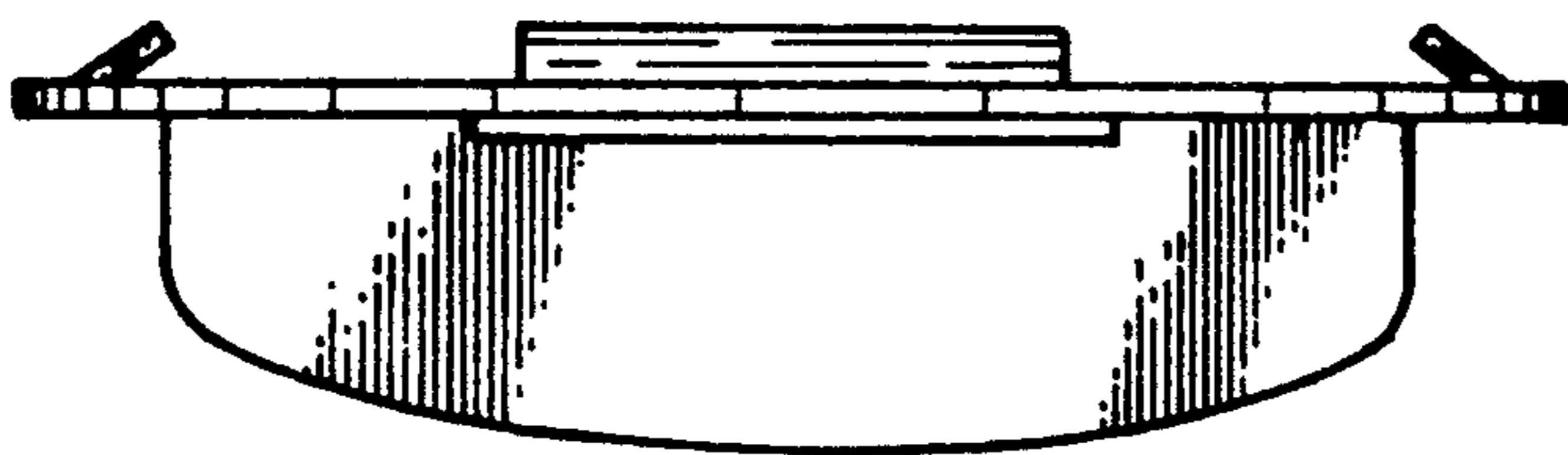


FIG. 7