



US00D330420S

# United States Patent [19]

[11] Patent Number: **Des. 330,420**

Nottage

[45] Date of Patent: **\*\* Oct. 20, 1992**

[54] **NEEDLE PROTECTOR**

*Attorney, Agent, or Firm*—James A. Giblin

[75] Inventor: **Melville Nottage, Oakland, Calif.**

[57] **CLAIM**

[73] Assignee: **Miles Inc., Elkhart, Ind.**

The ornamental design for a needle protector, as shown.

[\*\*] Term: **14 Years**

[21] Appl. No.: **526,803**

### DESCRIPTION

[22] Filed: **May 21, 1990**

FIG. 1 is a perspective view of a needle protector showing my new design with the hinged cap in closed position;

[52] U.S. Cl. .... **D24/130**

FIG. 2 is a front elevational view thereof;

[58] Field of Search ..... **D24/130, 131; 604/192, 604/198, 195, 194, 199, 187, 197, 263**

FIG. 3 is a side elevational view thereof, the opposite side elevational view being identical;

[56] **References Cited**

### U.S. PATENT DOCUMENTS

4,742,910	5/1988	Staebler .....	604/192 X
4,840,618	6/1989	Marvel .....	604/187
5,000,742	3/1991	Morrison .....	604/192
5,098,404	3/1992	Collins .....	604/192 X

FIG. 4 is a rear elevational view thereof;

FIG. 5 is a top plan view thereof;

FIG. 6 is a bottom plan view thereof;

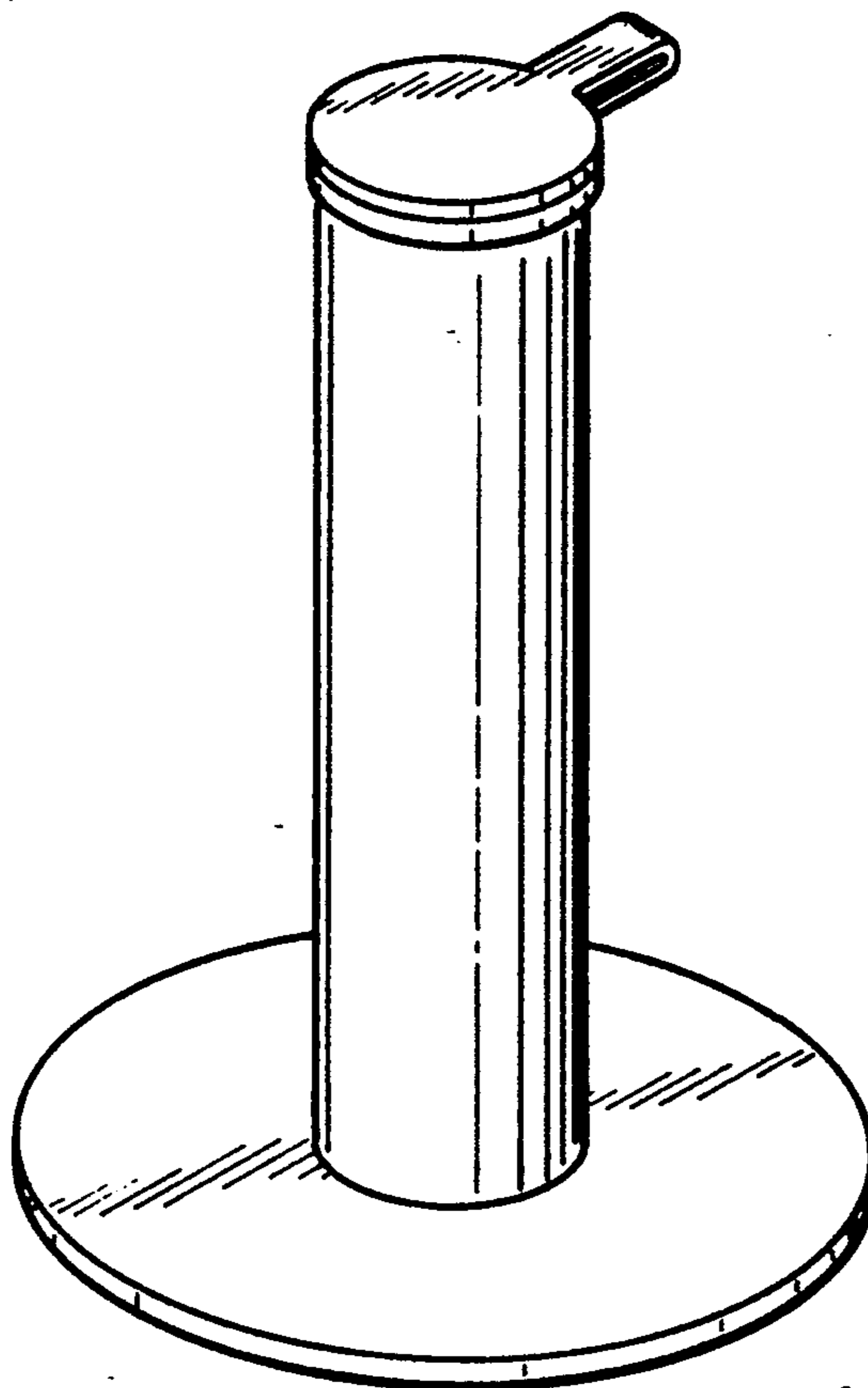
FIG. 7 is a top plan view thereof, with the hinged cap in open position;

FIG. 8 is a cross-sectional view thereof, taken along the line 8—8 of FIG. 9; and,

FIG. 9 is a perspective view thereof, with the hinged cap in open position.

*Primary Examiner*—Stella Reid

*Assistant Examiner*—I. Simmons



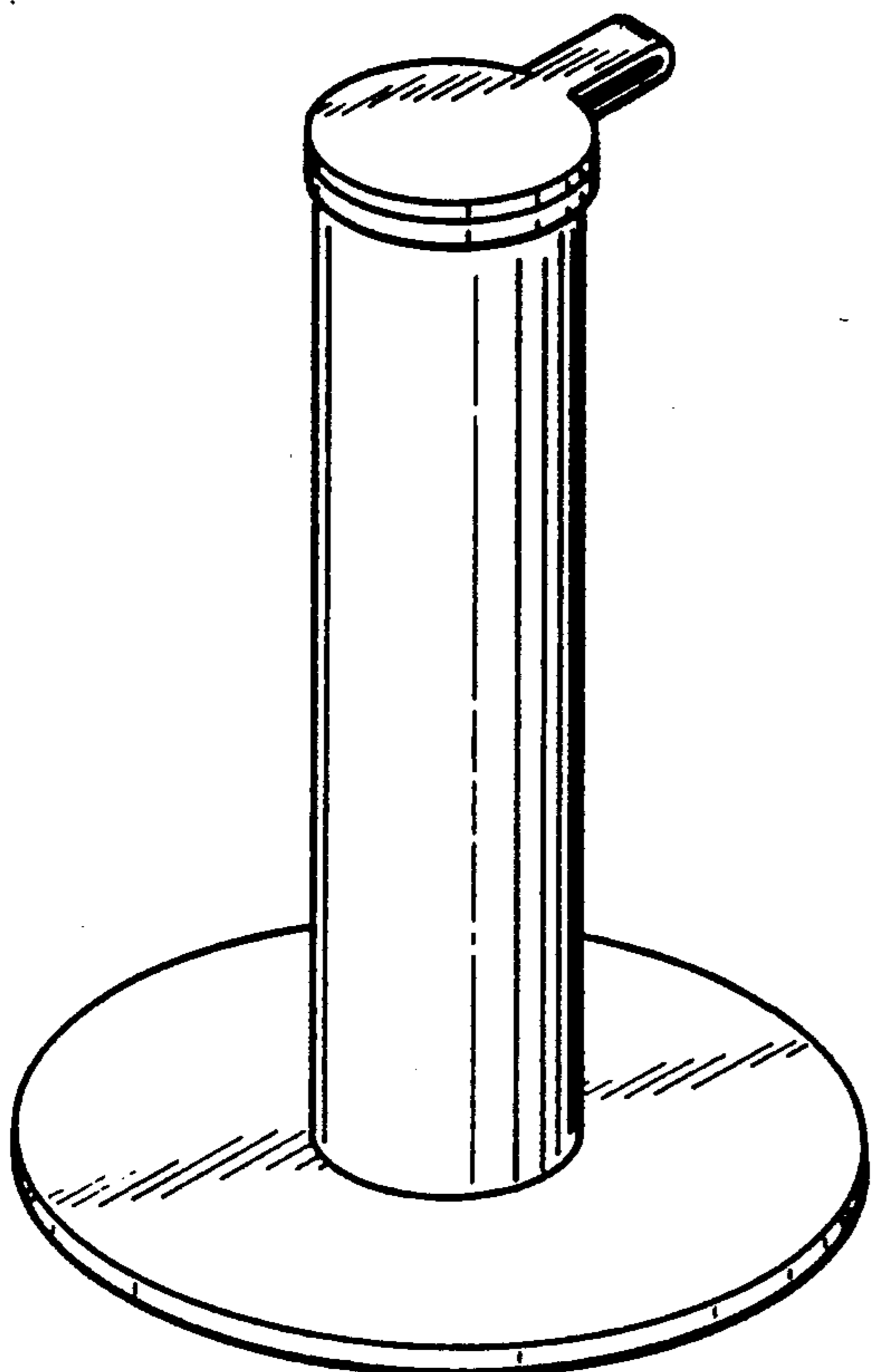


FIG.\_1

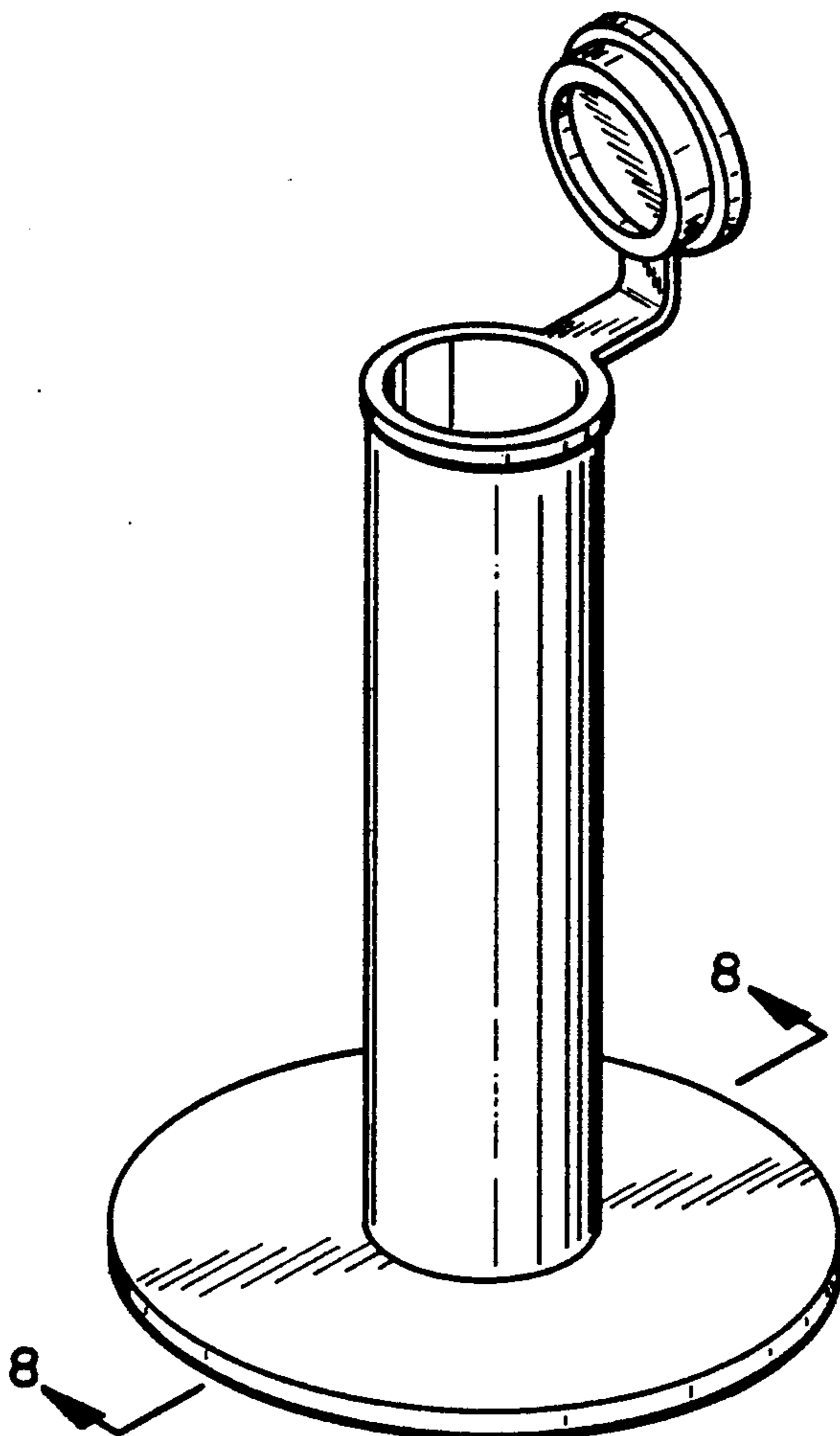


FIG.\_9

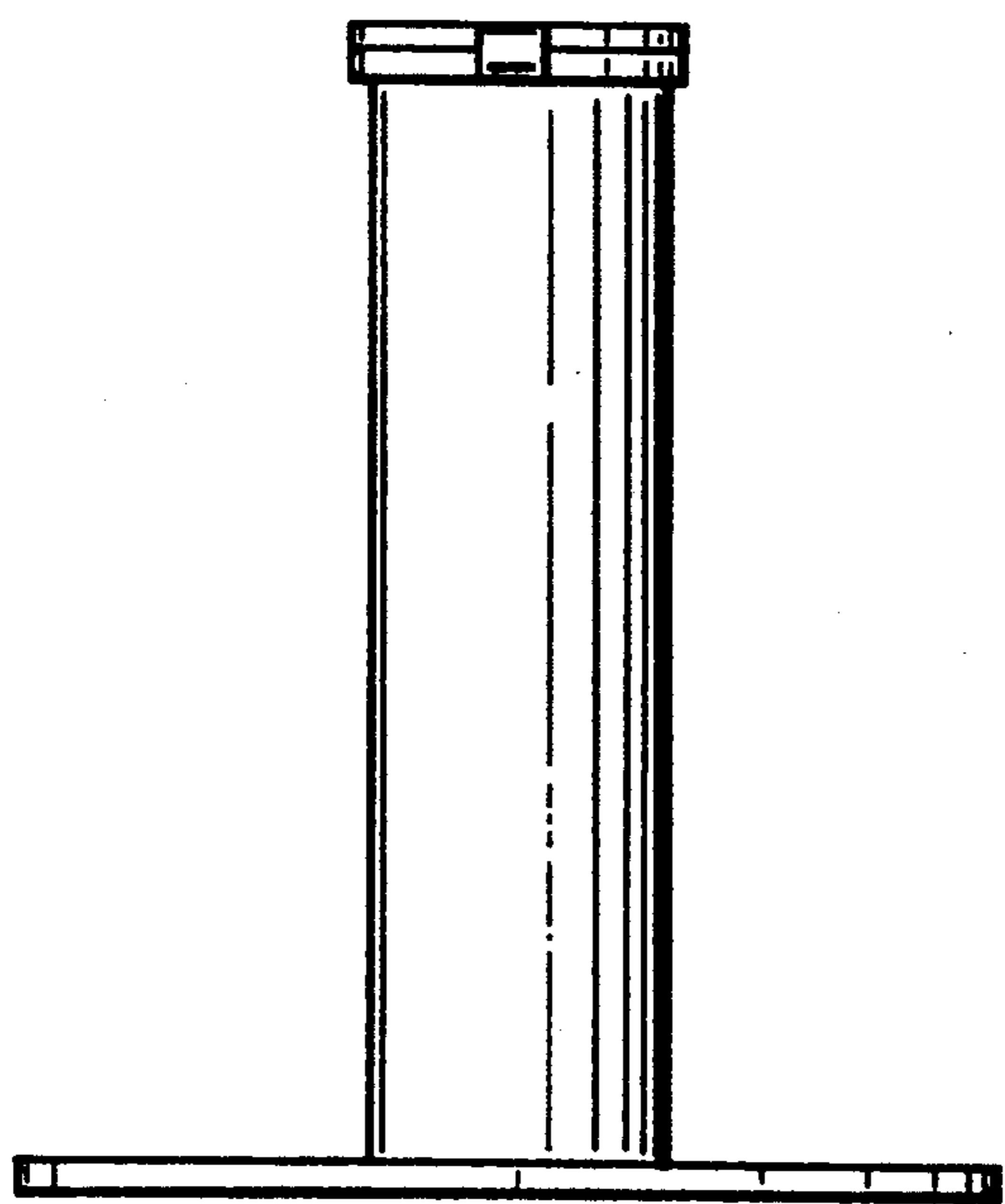


FIG.\_4

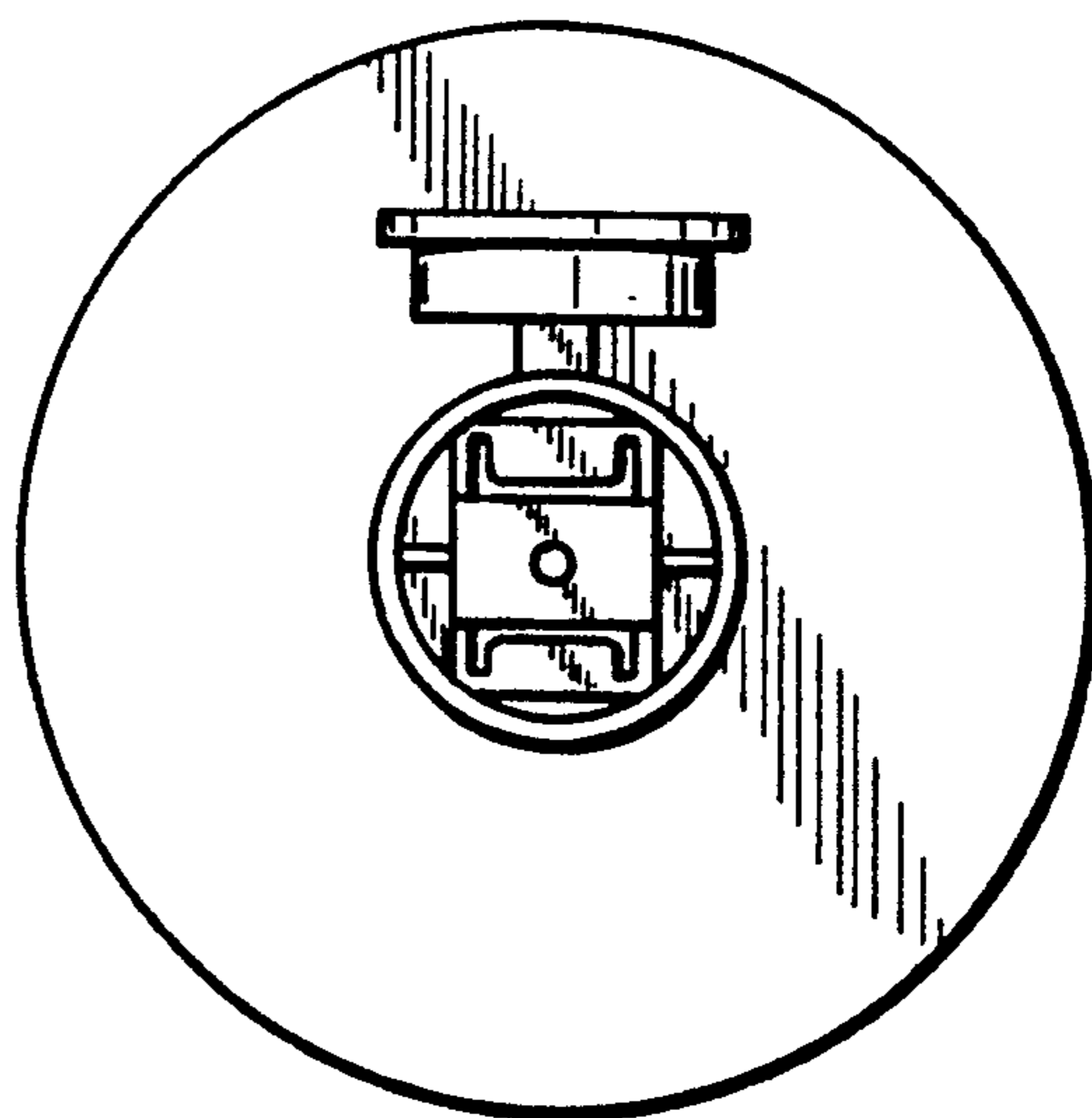


FIG.\_7

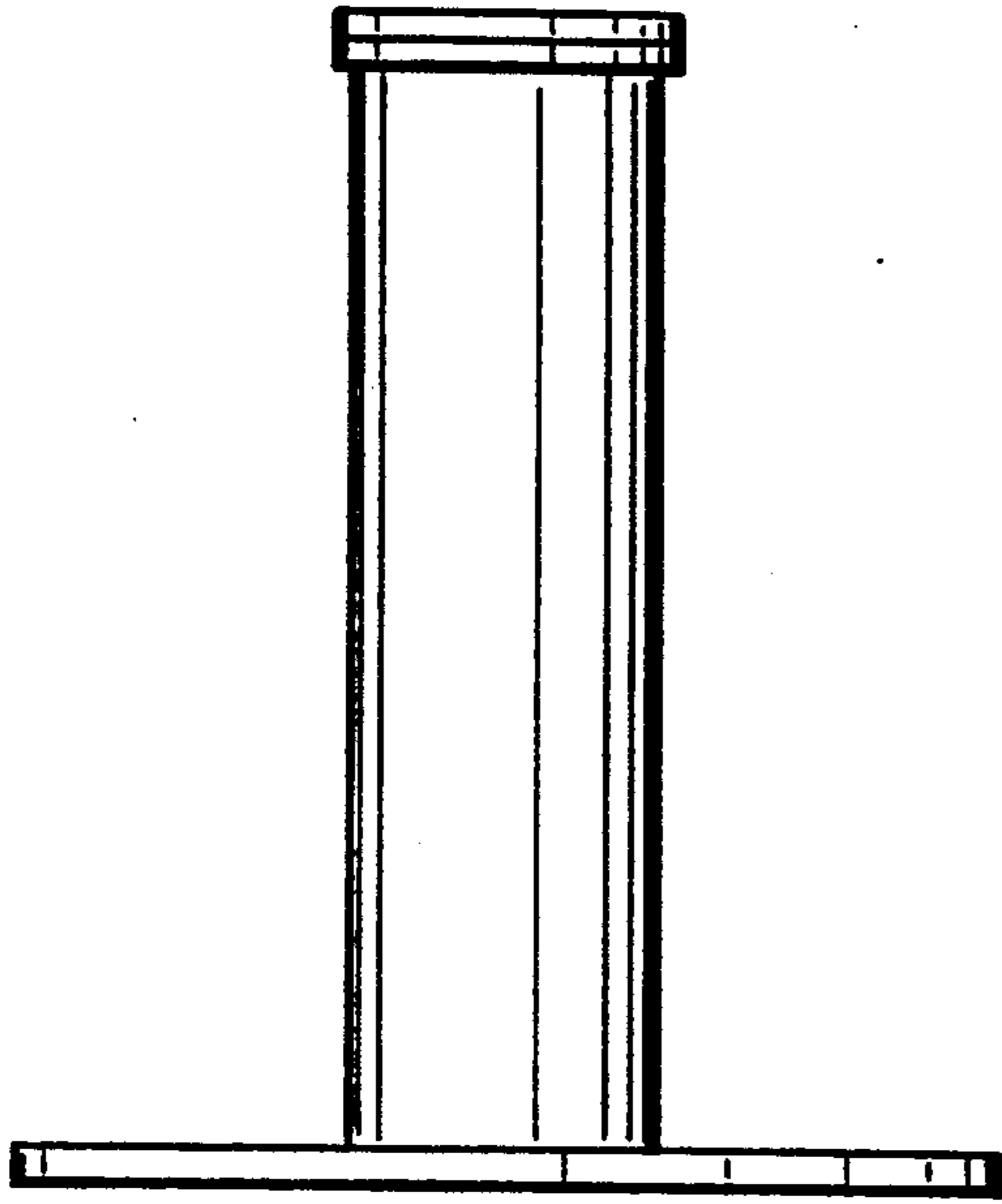


FIG.\_2

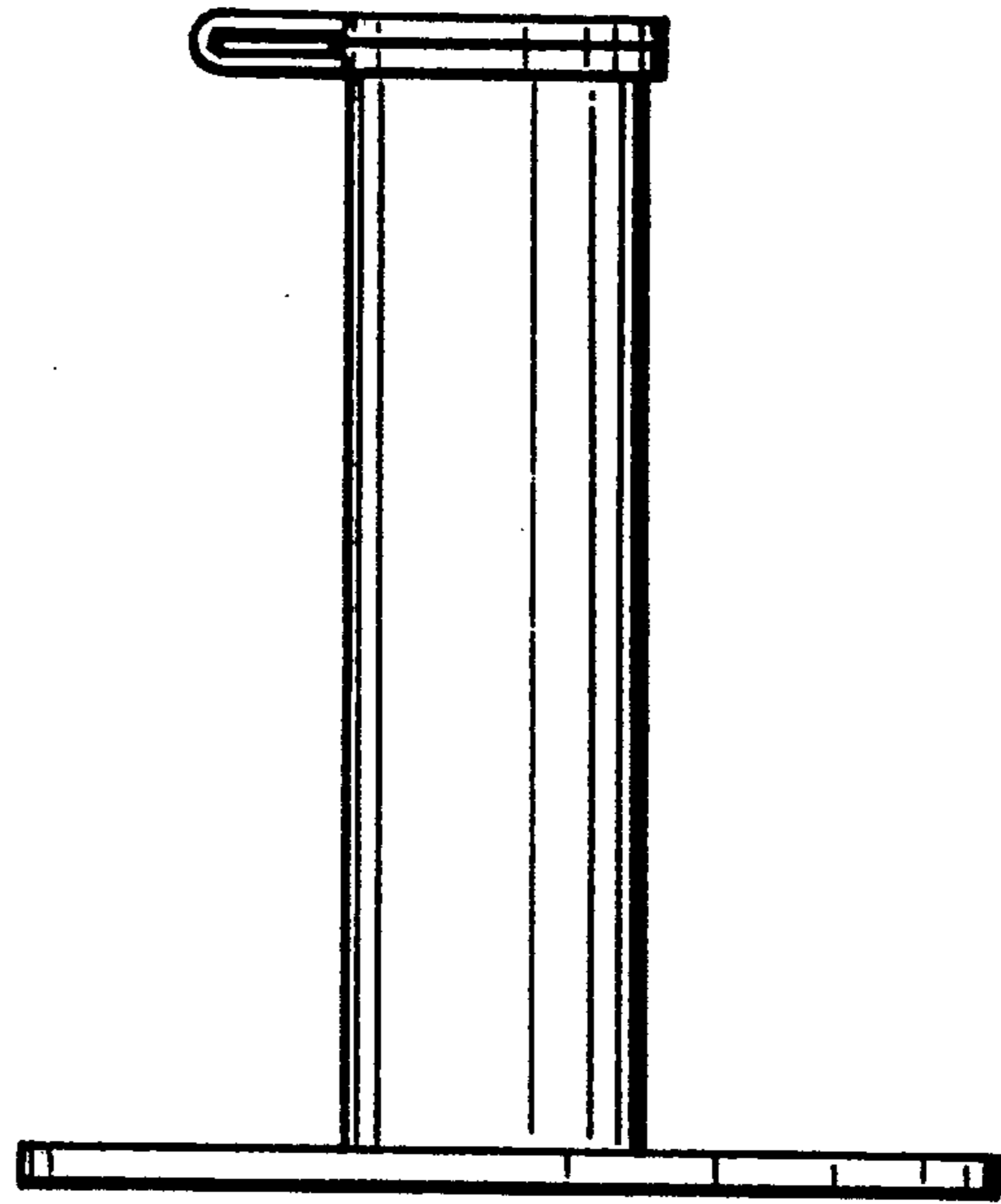


FIG.\_3

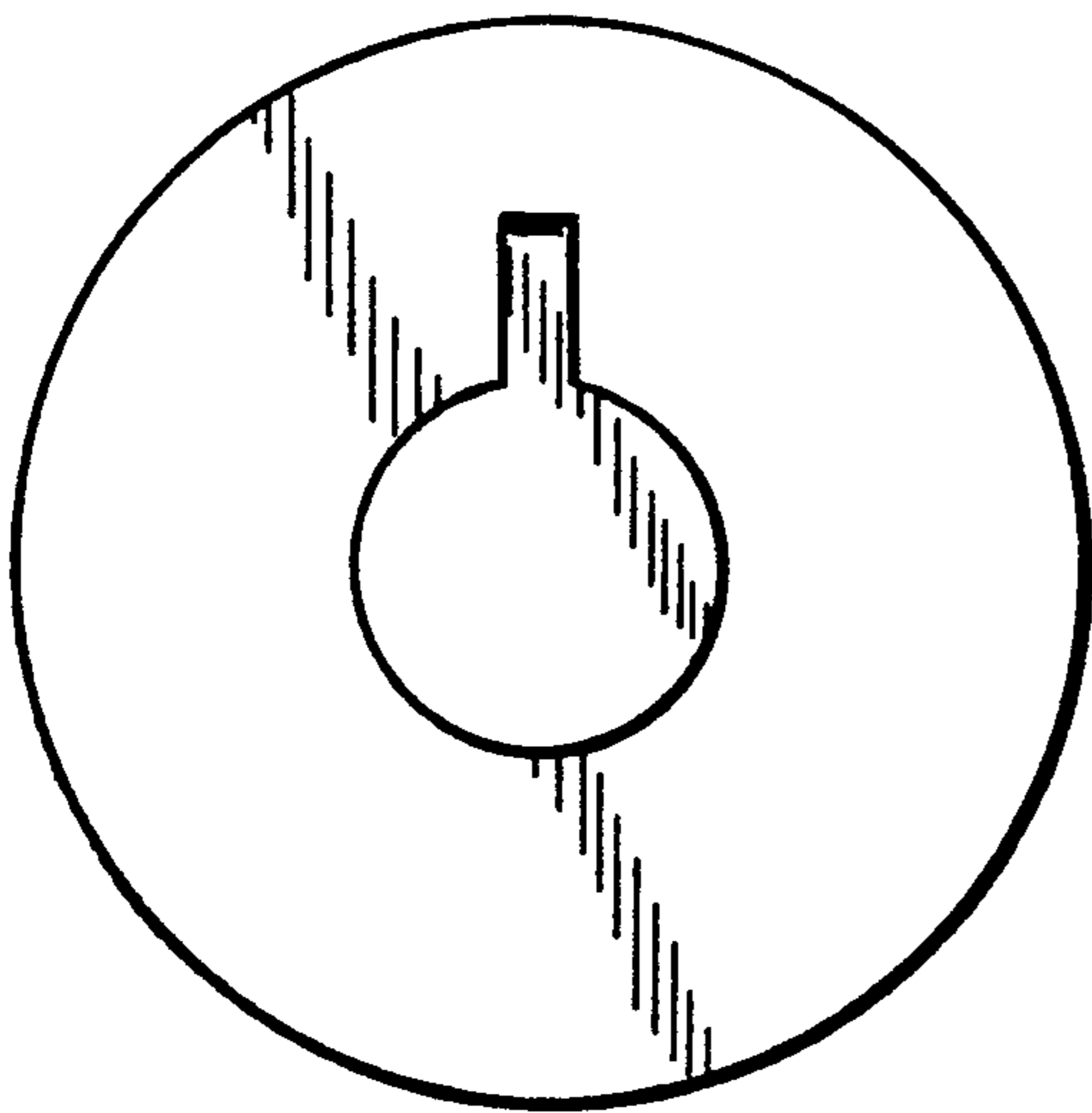


FIG.\_5

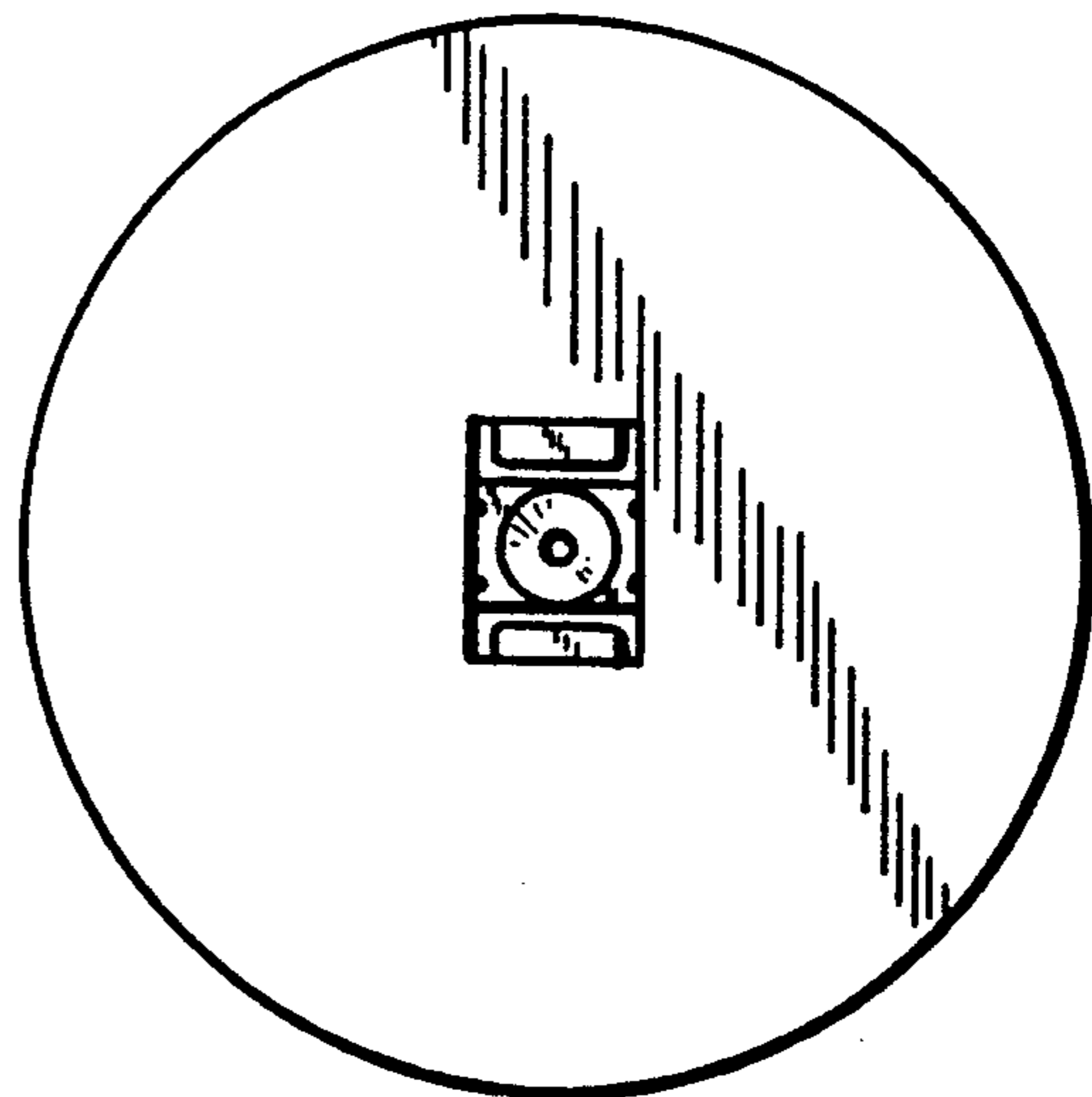


FIG.\_6

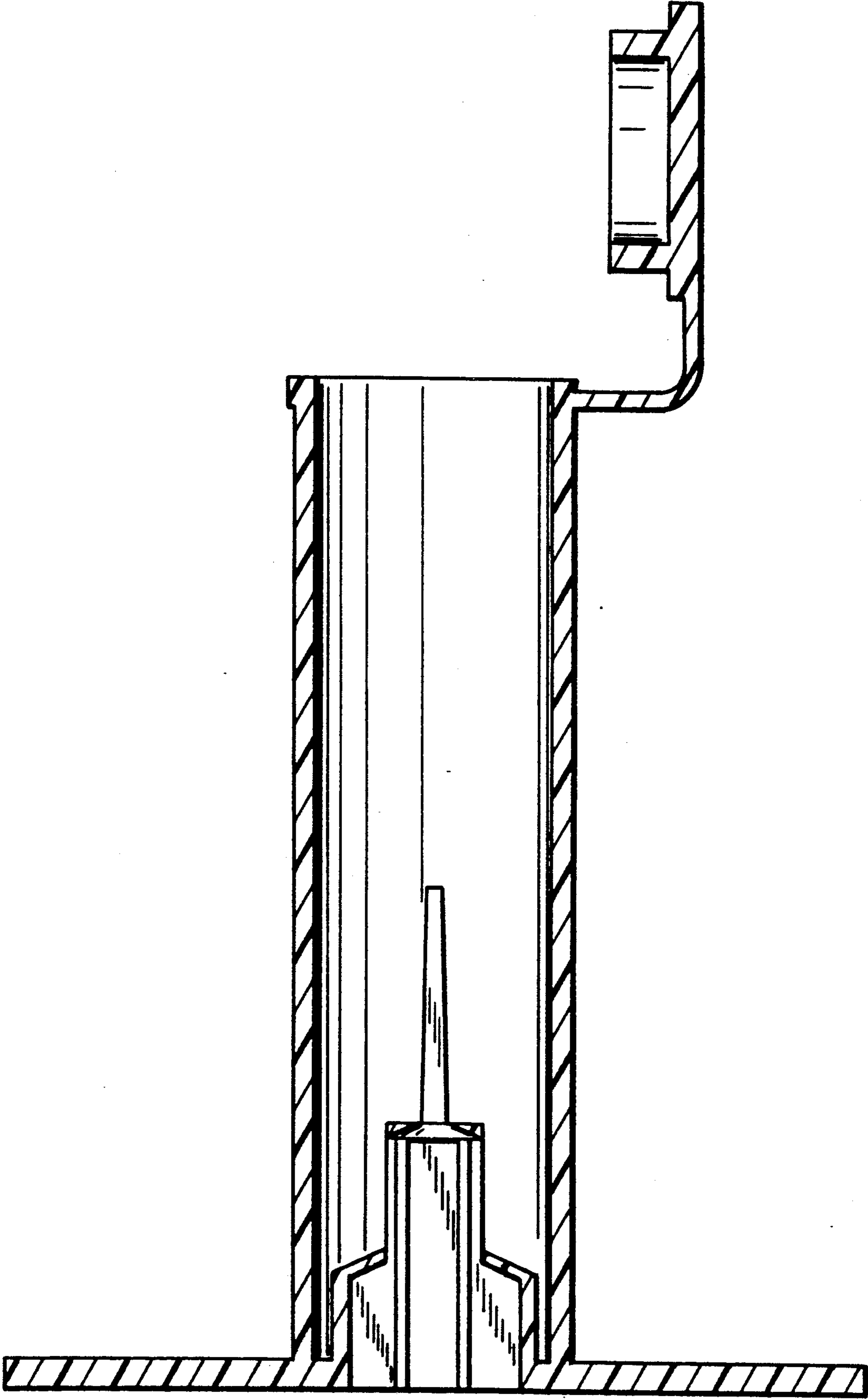


FIG. 8