



US00D330417S

United States Patent [19]
Bell

[11] **Patent Number: Des. 330,417**
[45] **Date of Patent: ** Oct. 20, 1992**

[54] **BLOOD CONTAINMENT DEVICE HOUSING**

[75] **Inventor: Craig J. Bell, Winchester, N.H.**

[73] **Assignee: Smiths Industries Medical Systems, Inc., Keene, N.H.**

[**] **Term: 14 Years**

[21] **Appl. No.: 471,121**

[22] **Filed: Jan. 26, 1990**

[52] **U.S. Cl. D24/117**

[58] **Field of Search D24/108, 117; 422/56, 422/58, 61; D9/341, 346, 418**

[56] **References Cited**

U.S. PATENT DOCUMENTS

- D. 239,156 3/1976 McDonough D9/341 X
- D. 241,622 9/1976 Smith D9/341
- D. 287,756 1/1987 Szablak et al. D24/131

- 4,218,421 8/1980 Mack, Jr. et al. .
- 4,418,821 12/1983 Sandel 206/570
- 4,485,918 12/1984 Mayer .

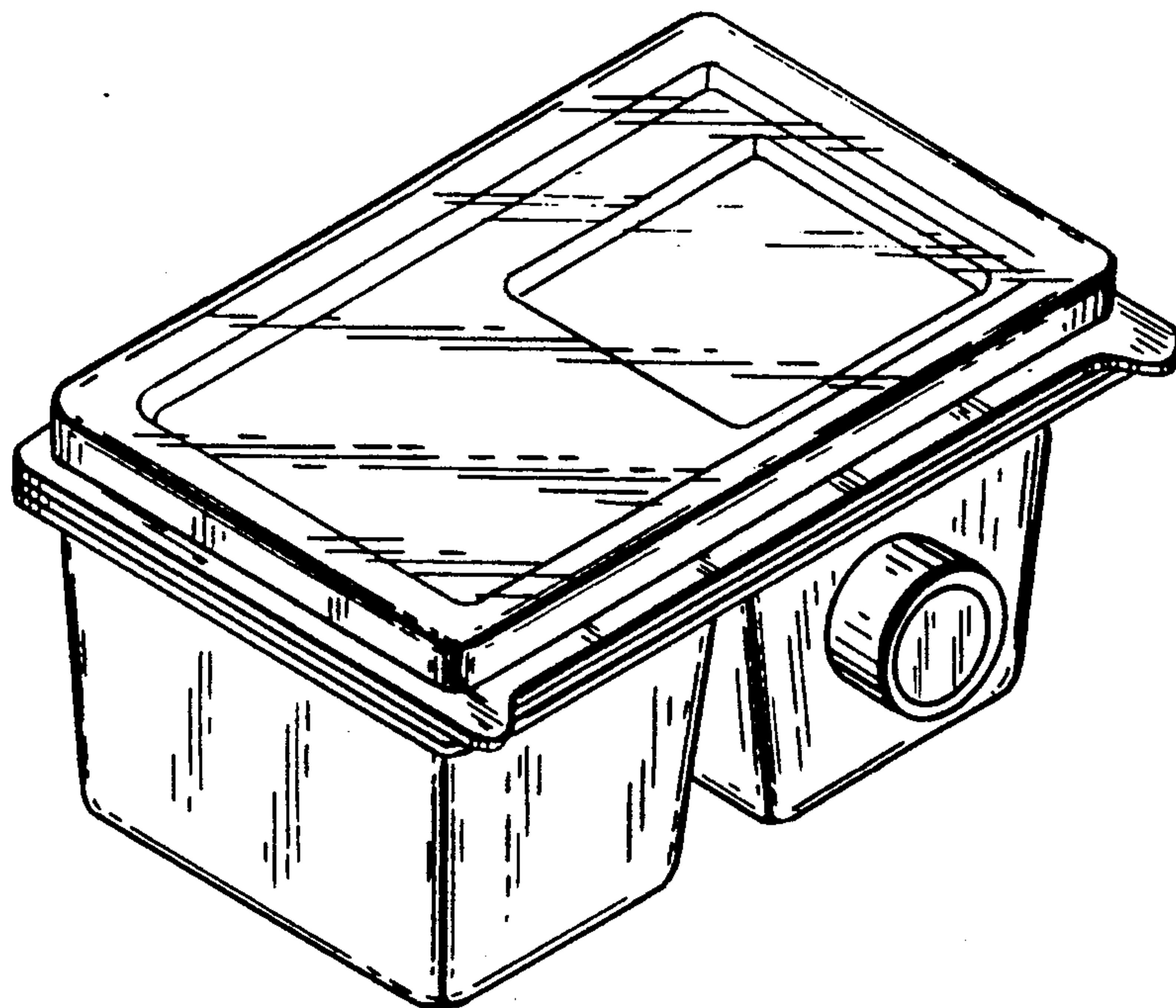
Primary Examiner—Stella Reid
Assistant Examiner—I. Simmons
Attorney, Agent, or Firm—Sewall P. Bronstein; Robert M. Asher

[57] **CLAIM**

The ornamental design for a blood containment housing, as shown and described.

DESCRIPTION

FIG. 1 is a perspective view of a blood containment housing showing my new design; FIG. 2 is a top plan view thereof; FIG. 3 is a front elevational view thereof; FIG. 4 is a rear elevational view thereof; FIG. 5 is a side elevational view thereof; and, FIG. 6 is a bottom plan view thereof.



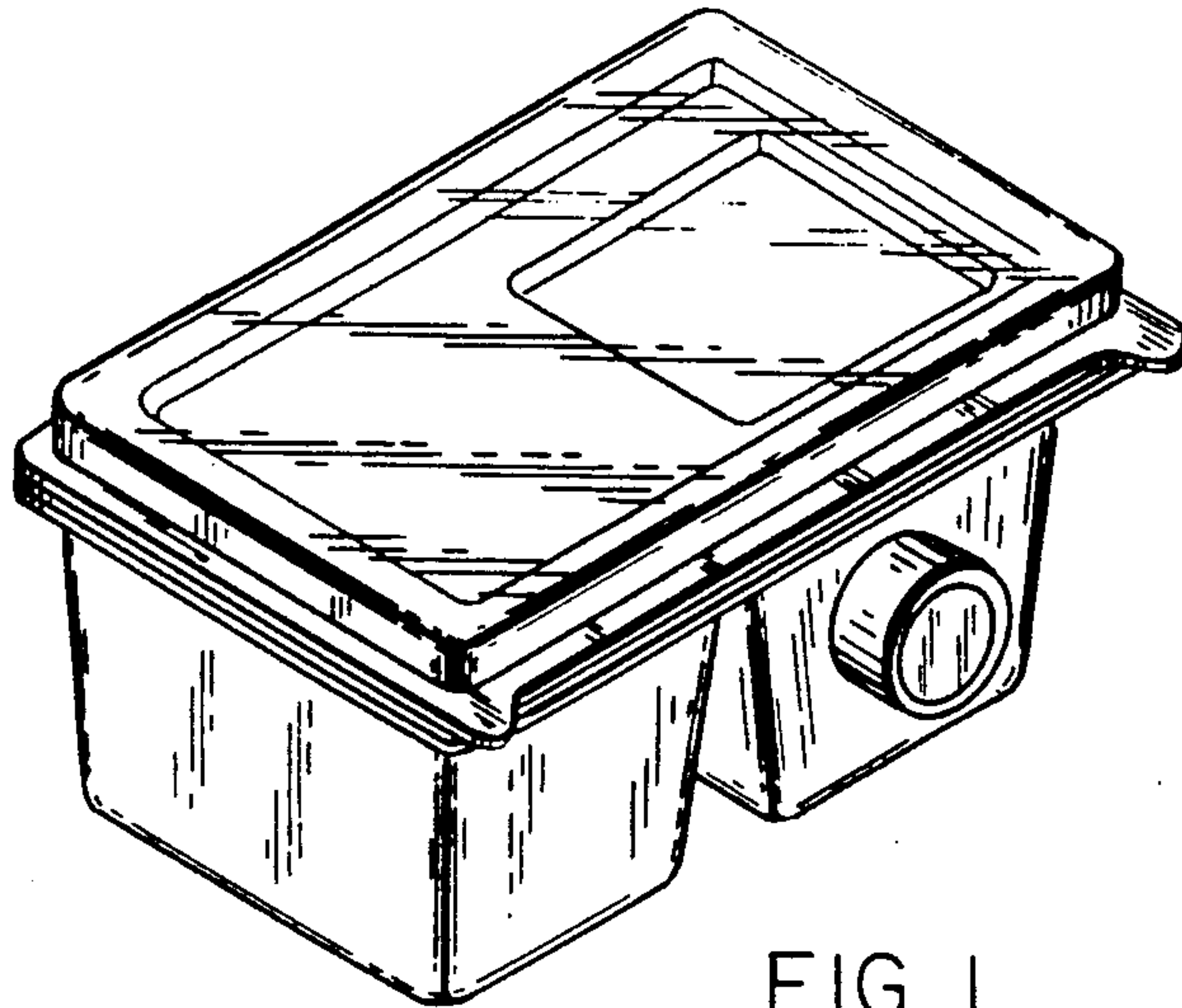


FIG. 1

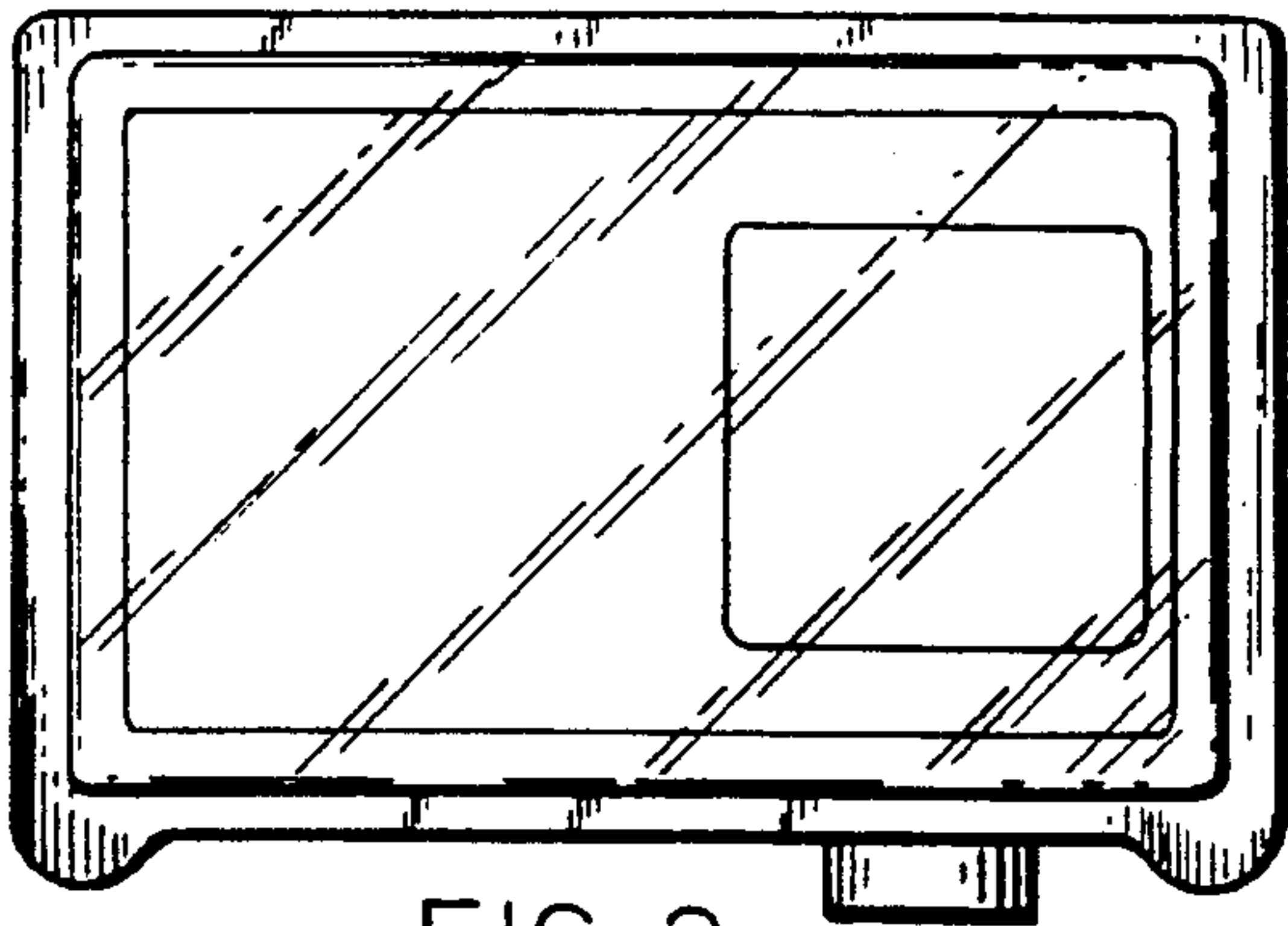


FIG. 2

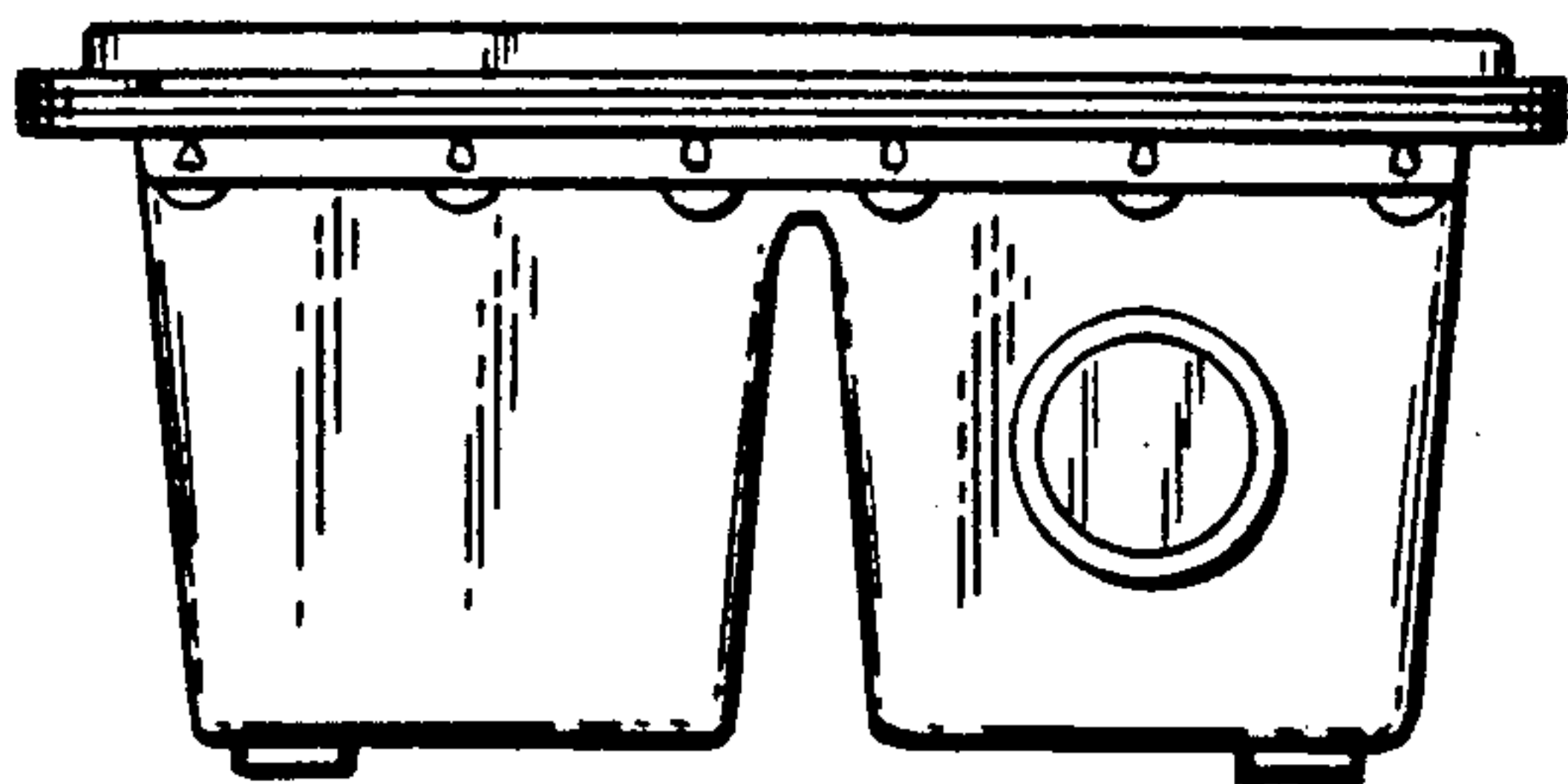


FIG. 3

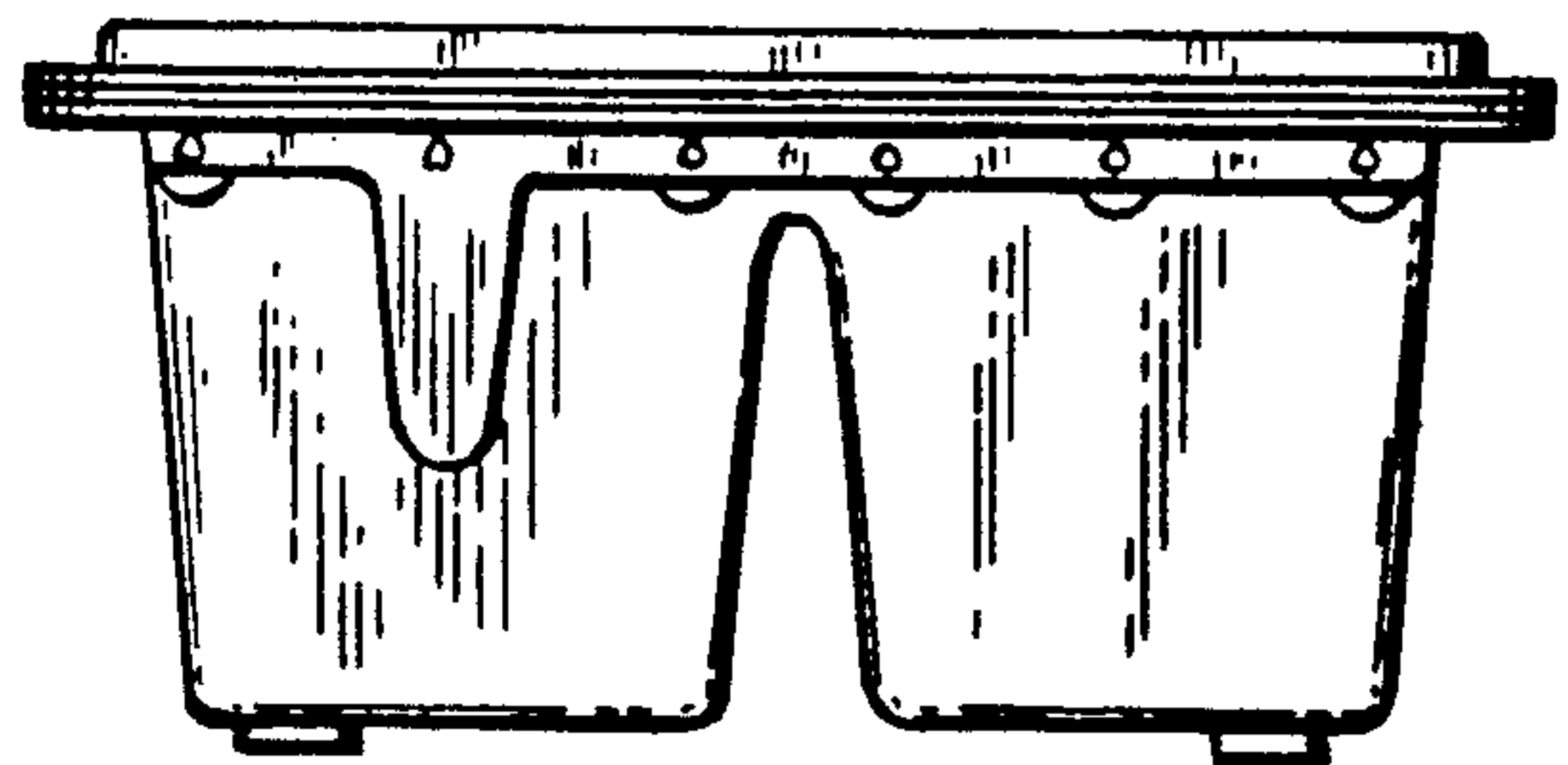


FIG. 4

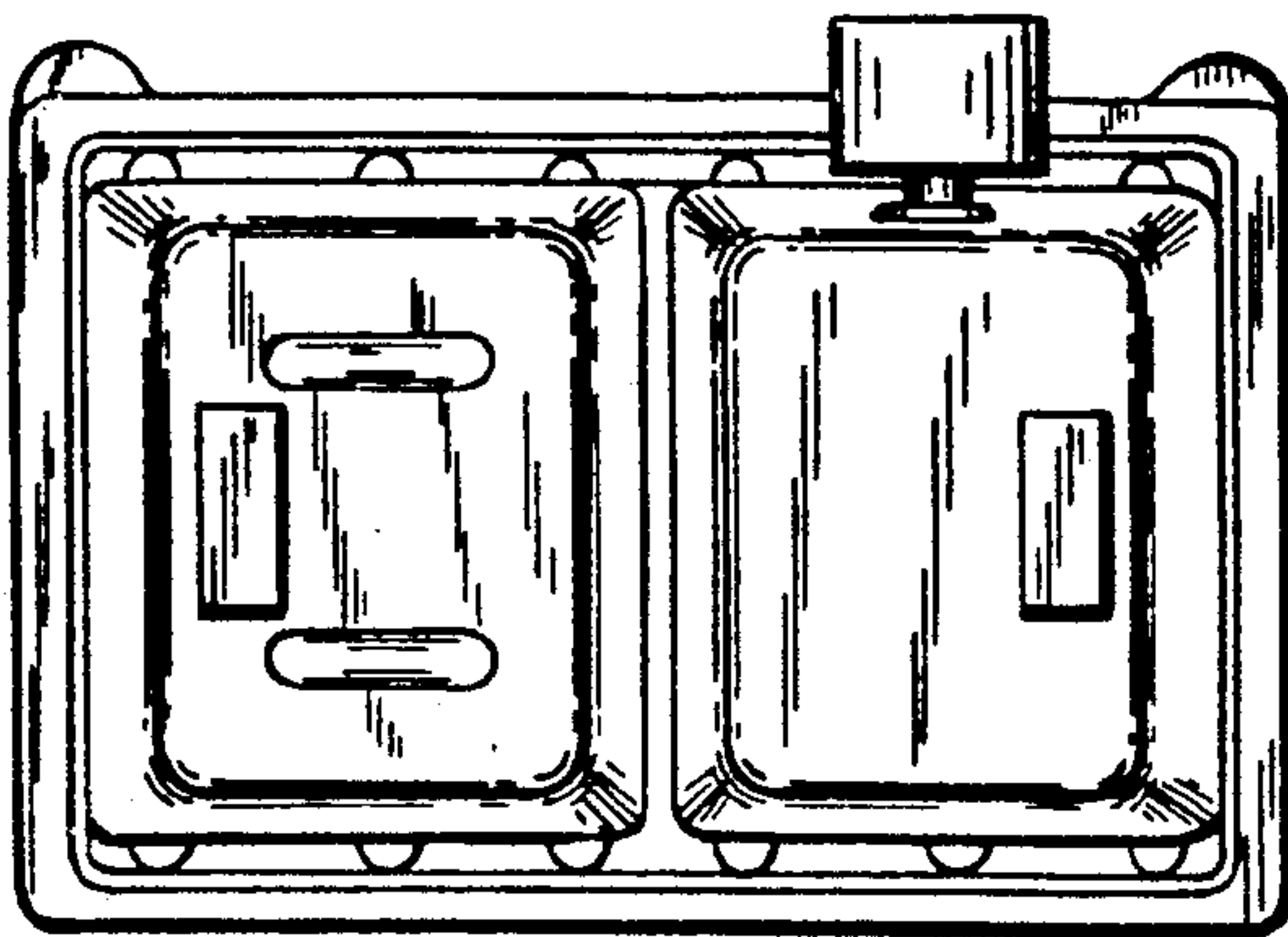


FIG. 6

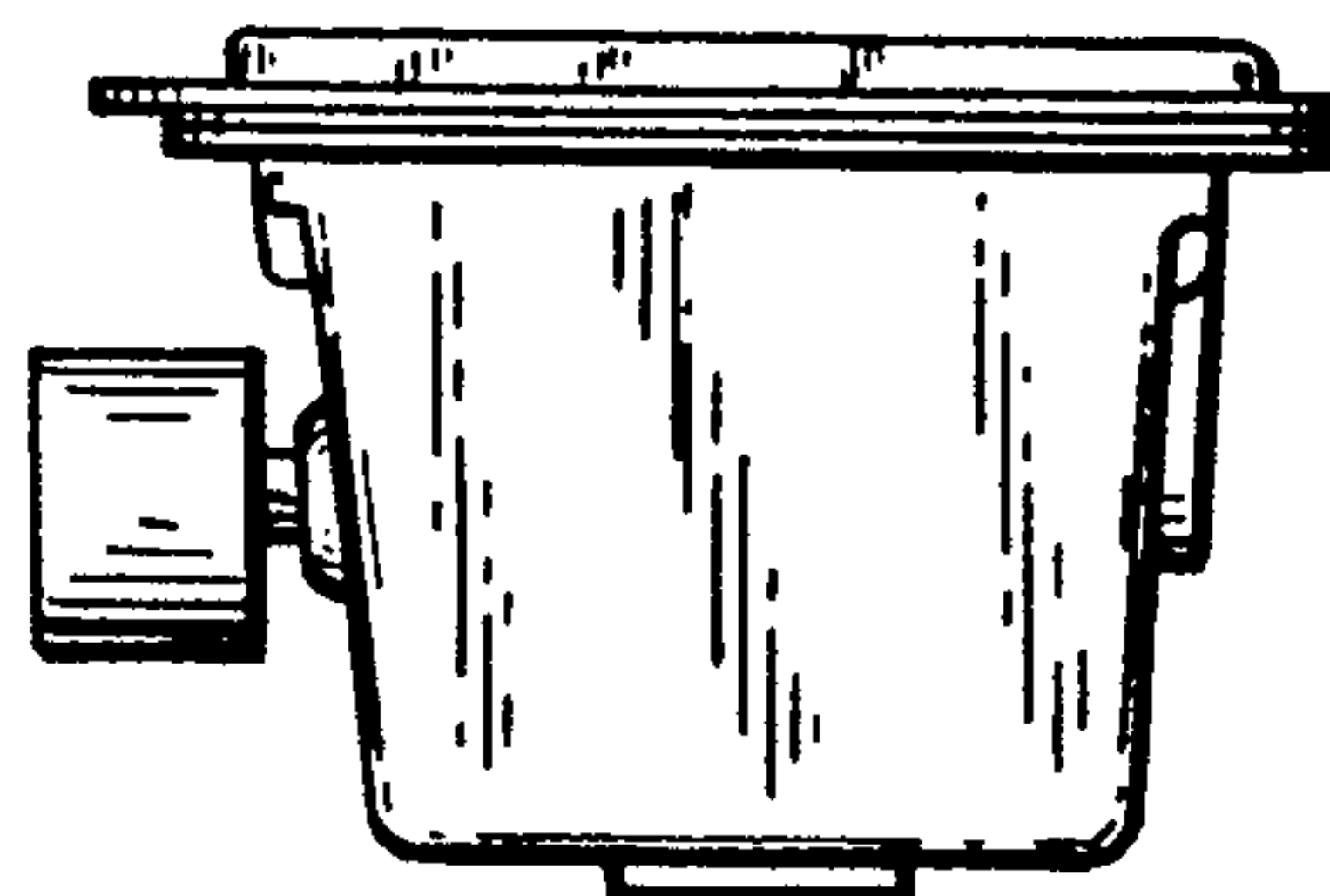


FIG. 5