



US00D330412S

United States Patent [19]

[11] Patent Number: **Des. 330,412**

Rasmussen

[45] Date of Patent: **** Oct. 20, 1992**

[54] **COMBINED TOILET SEAT AND COVER**

3,517,396	6/1970	Wert	4/234
3,526,907	9/1970	Stairs	4/236
3,557,393	1/1971	Waldon	4/236
3,590,401	7/1971	Brown	4/236
3,790,969	2/1974	Waldon	4/236

[75] Inventor: **Else J. Rasmussen, Åbyhøj, Denmark**

[73] Assignee: **Pressalit A/S, Arhus C, Denmark**

[**] Term: **14 Years**

[21] Appl. No.: **566,712**

[22] Filed: **Aug. 13, 1990**

[30] **Foreign Application Priority Data**

Feb. 15, 1990 [DK] Denmark 0183/1990

[52] U.S. Cl. **D23/311**

[58] Field of Search D23/309-312;
4/234-241

[56] **References Cited**

U.S. PATENT DOCUMENTS

D. 237,969	12/1975	Firdmann	D23/311
D. 240,038	5/1976	Colani	D23/311
D. 254,684	4/1980	Boyter	D23/311
D. 261,029	9/1981	Boyter	D23/311
D. 262,486	12/1981	Boyter	D23/311
D. 262,733	1/1982	Bjorn	D23/311
D. 271,417	11/1983	Thygesen et al.	D23/311
D. 278,846	5/1985	Harrison et al.	D23/311
D. 287,998	1/1987	Holscher	D23/311
D. 292,018	9/1987	Lepoix	D23/311
D. 292,432	10/1987	Rasmussen	D23/311
D. 318,525	7/1991	Bock	D23/311
2,966,686	1/1961	Beneke, Jr.	4/234

Primary Examiner—James R. Largen
Attorney, Agent, or Firm—Ladas & Parry

[57] CLAIM

The ornamental design for a combined toilet seat and cover, as shown and described.

DESCRIPTION

FIG. 1 is a perspective view taken from the top, rear and left side of a combined toilet seat and cover showing my new design;

FIG. 2 is a perspective view taken from the top, front and left side thereof showing the cover in an open position;

FIG. 3 is a perspective view taken from the top and front of the seat portion thereof;

FIG. 4 is a perspective view taken from the bottom and rear of FIG. 3;

FIG. 5 is a perspective view taken from the top, front and left side of FIG. 3;

FIG. 6 is a perspective view taken from the rear and bottom of the cover portion thereof;

FIG. 7 is a perspective view taken from the top and left side of FIG. 6; and,

FIG. 8 is a perspective view taken from the top and front of FIG. 6.

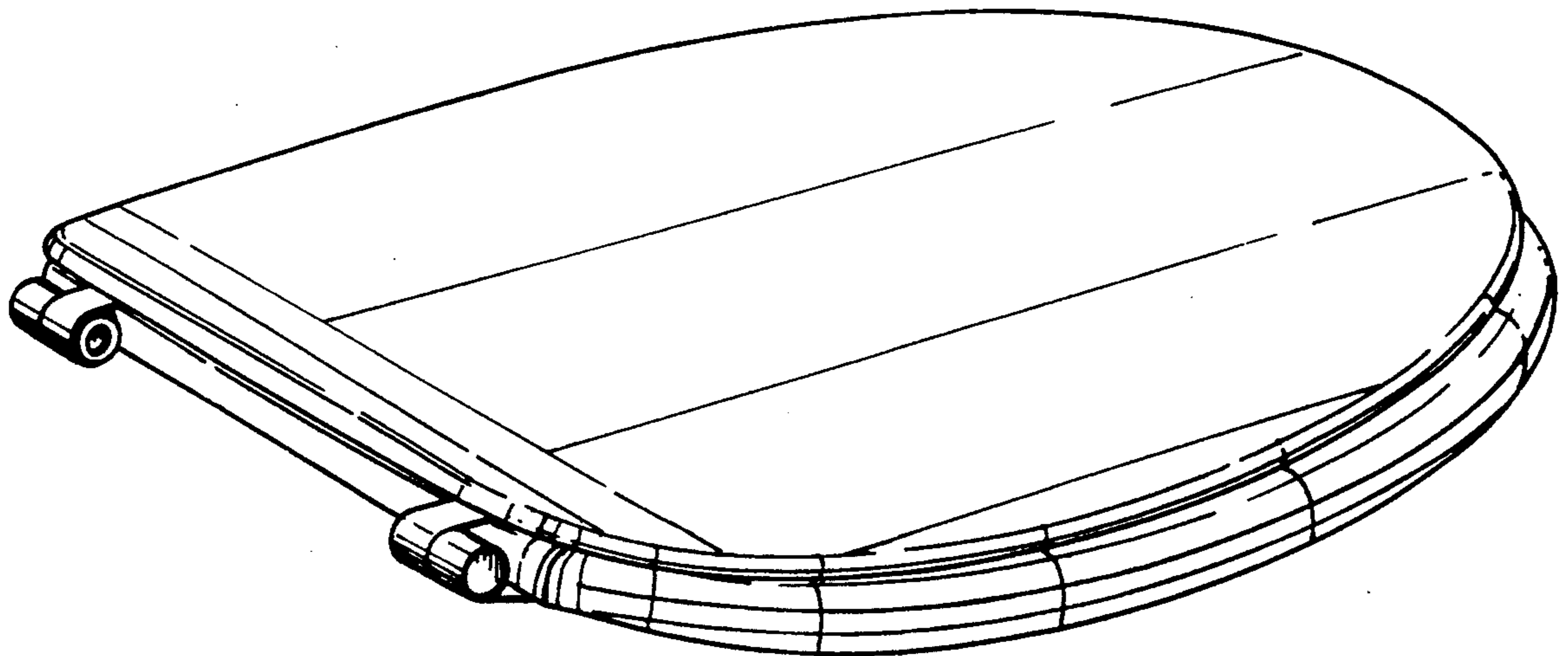


Fig. 1.

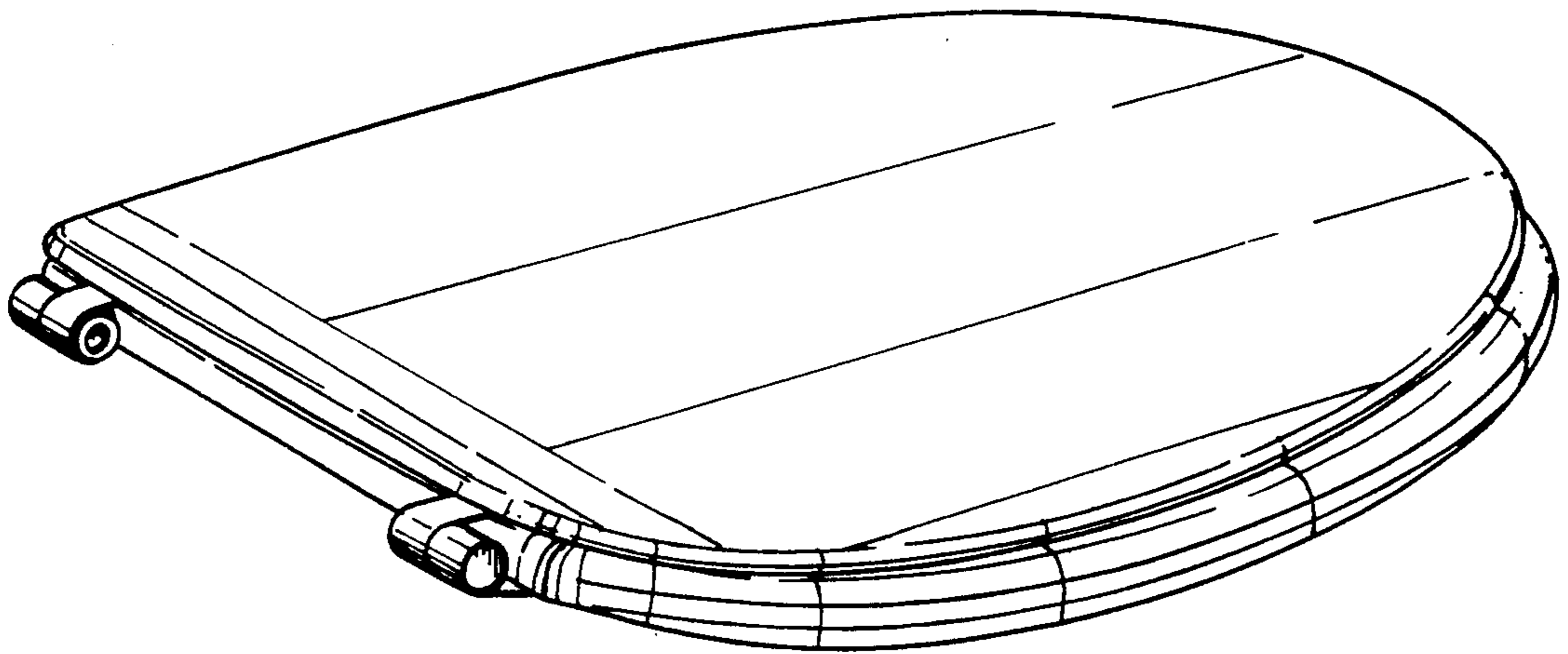


Fig. 2.

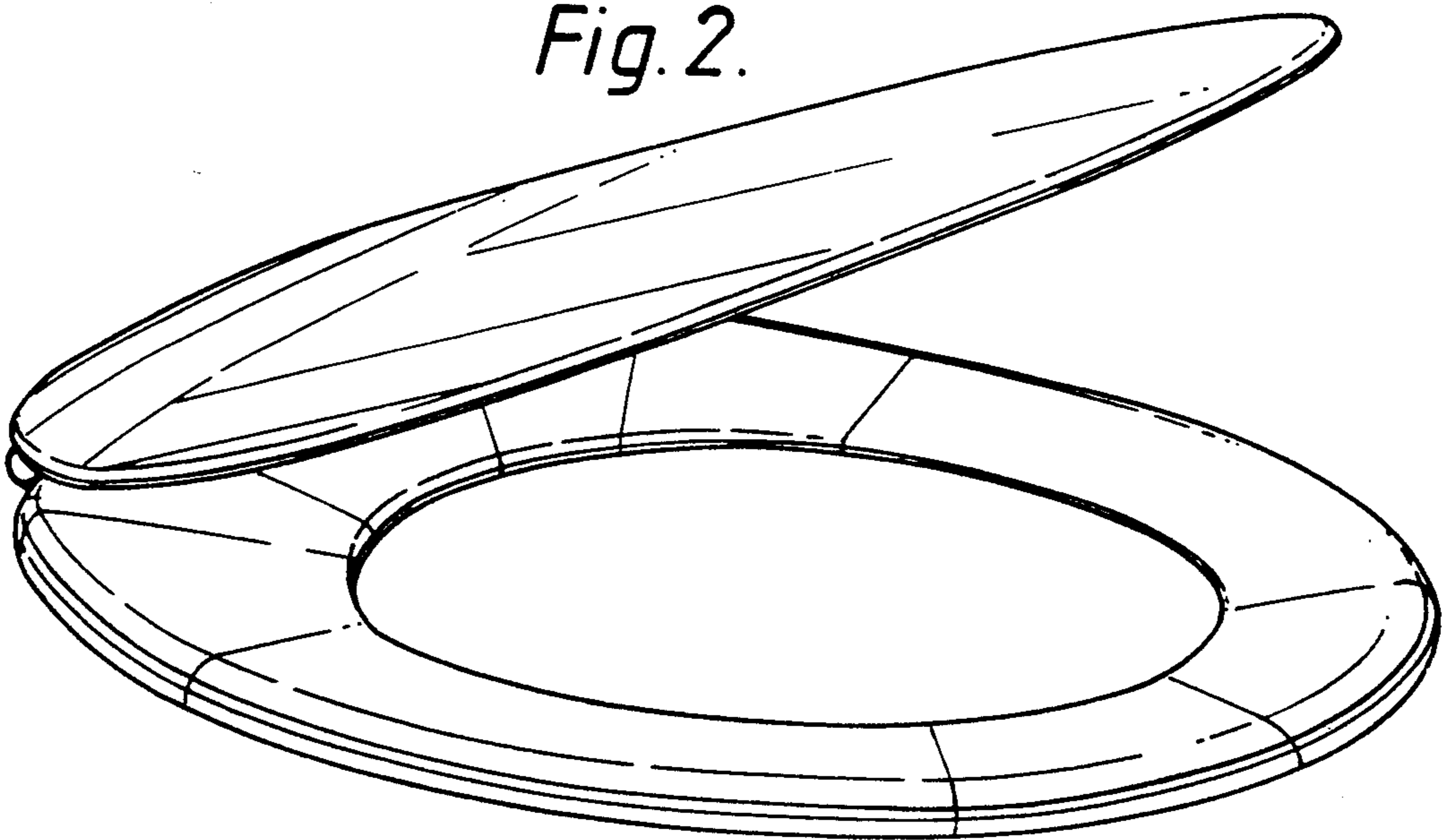


Fig.3.

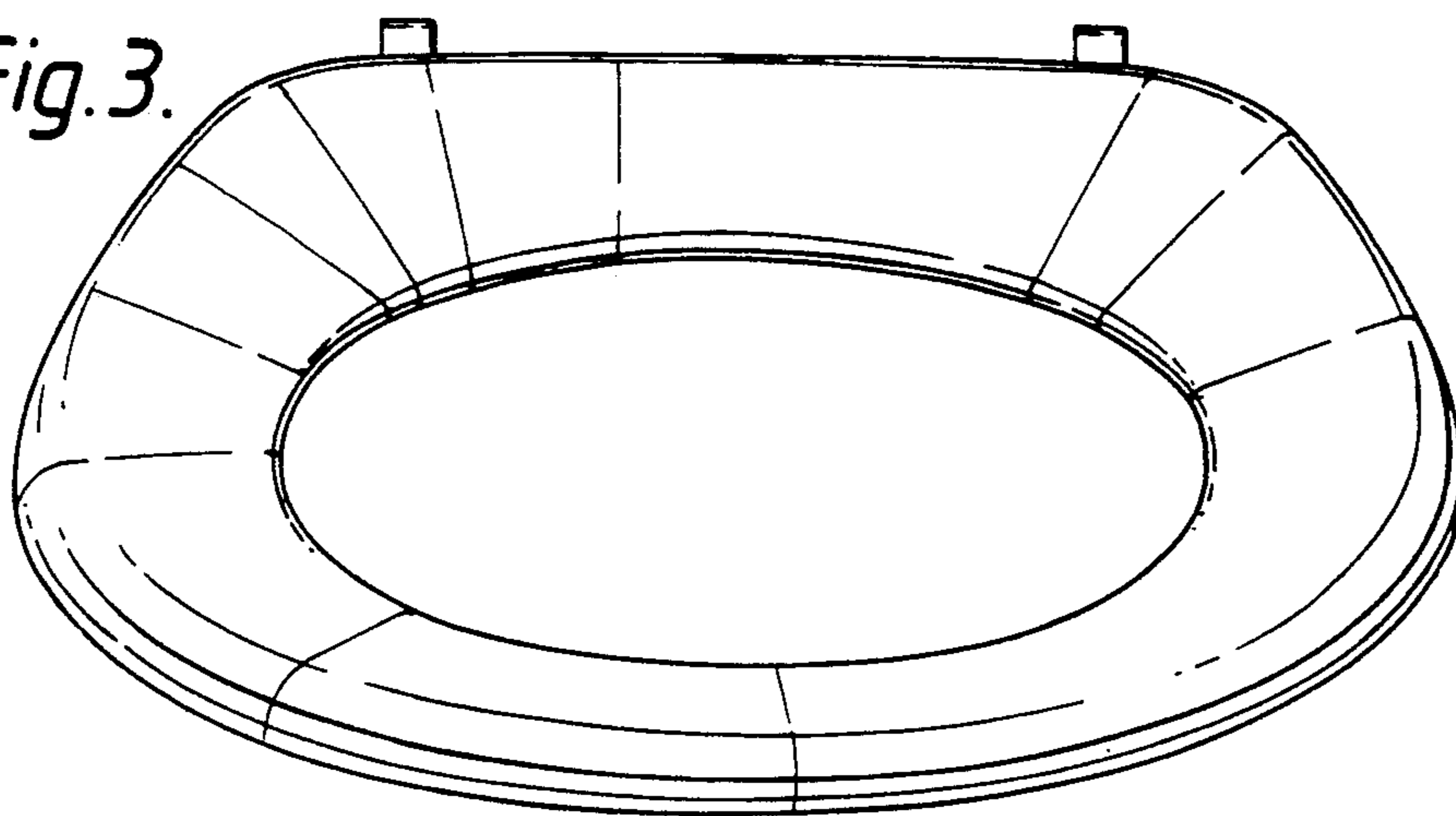


Fig.4.

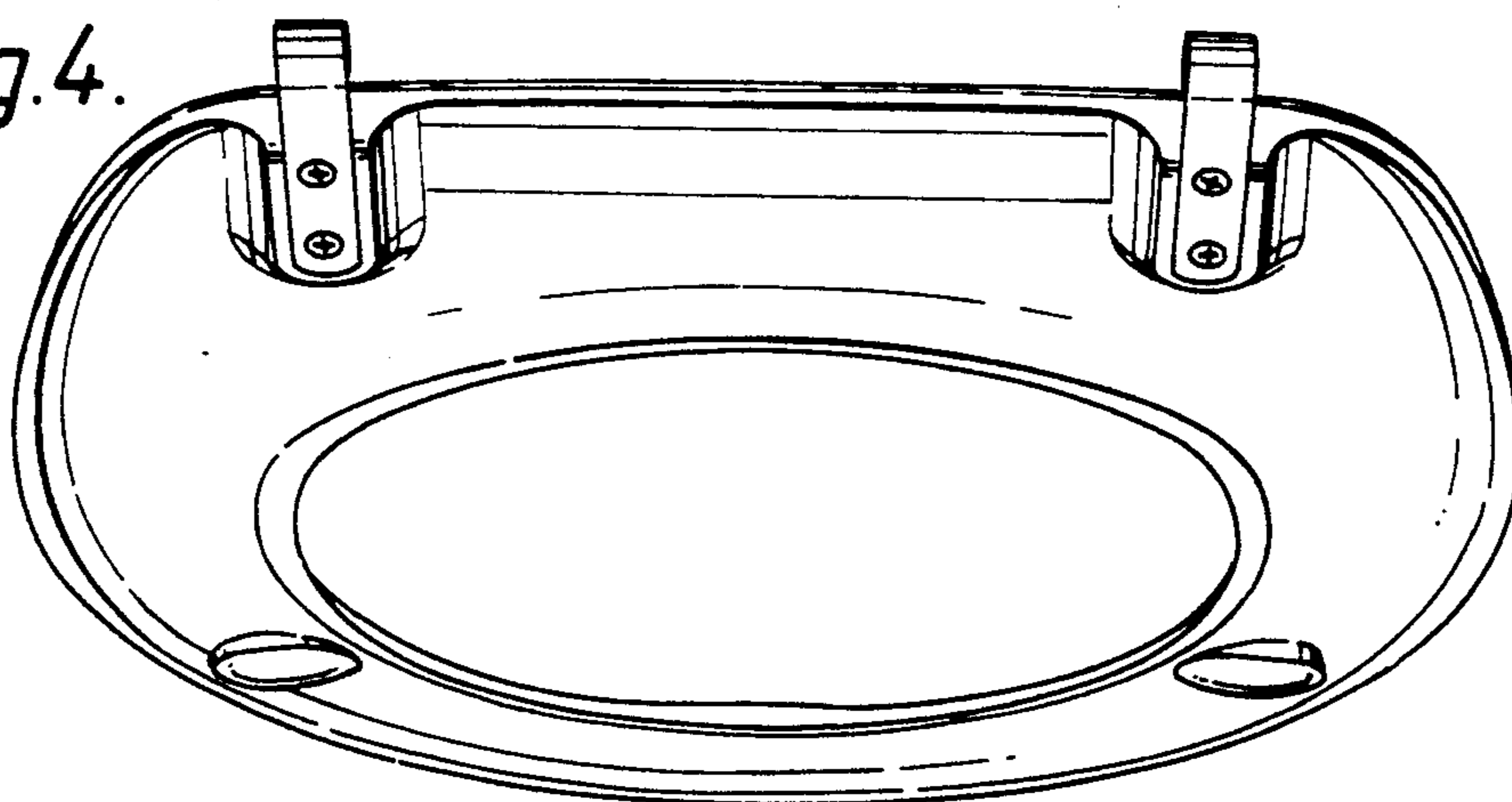


Fig.5.

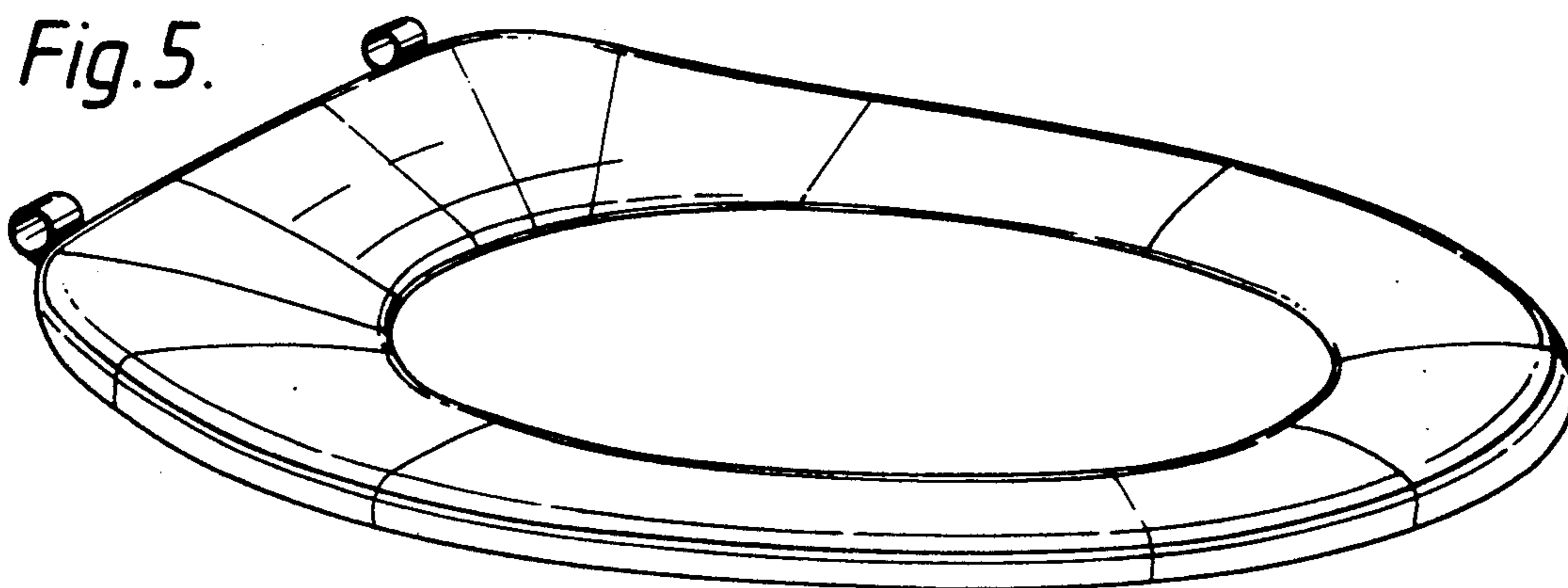


Fig. 6.

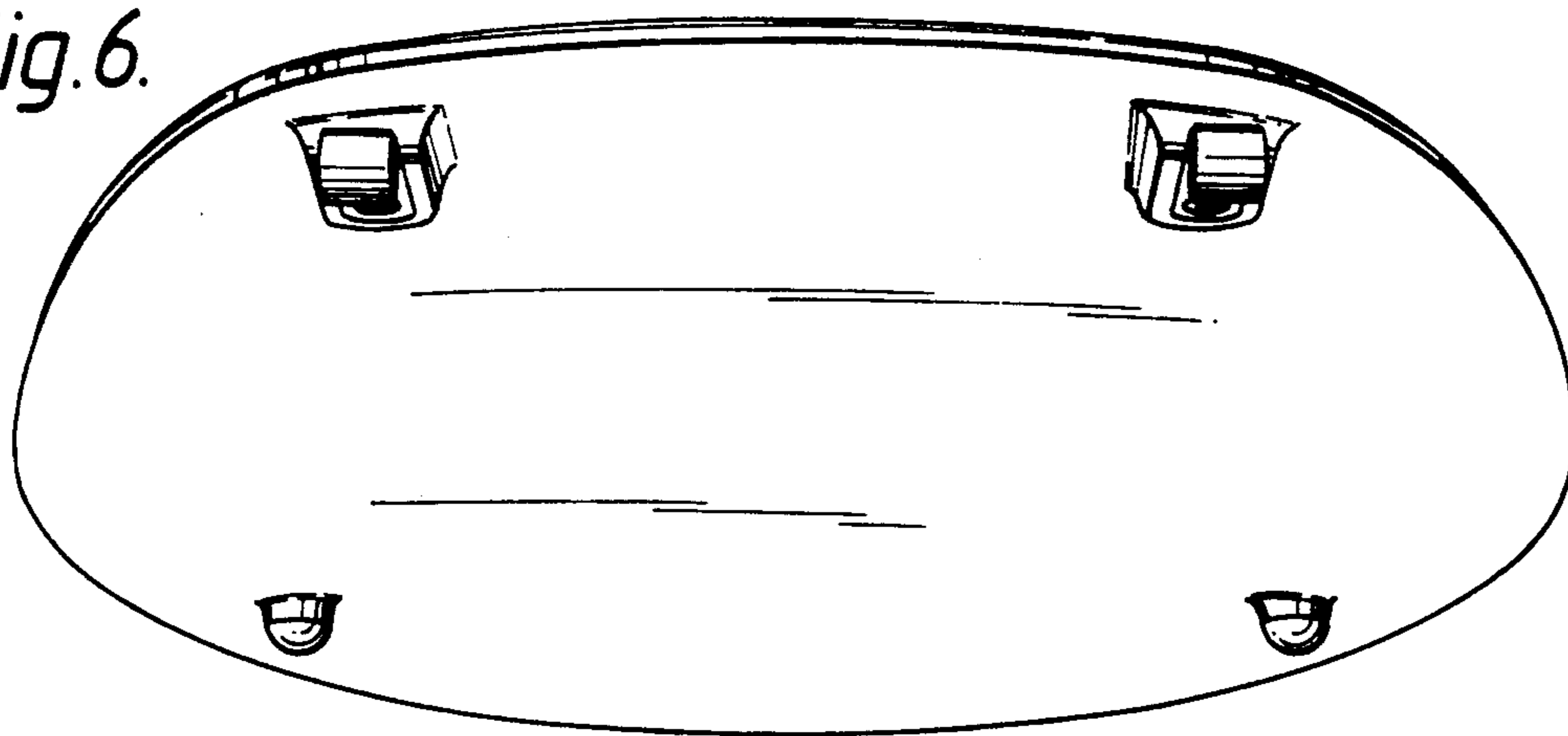


Fig. 7.

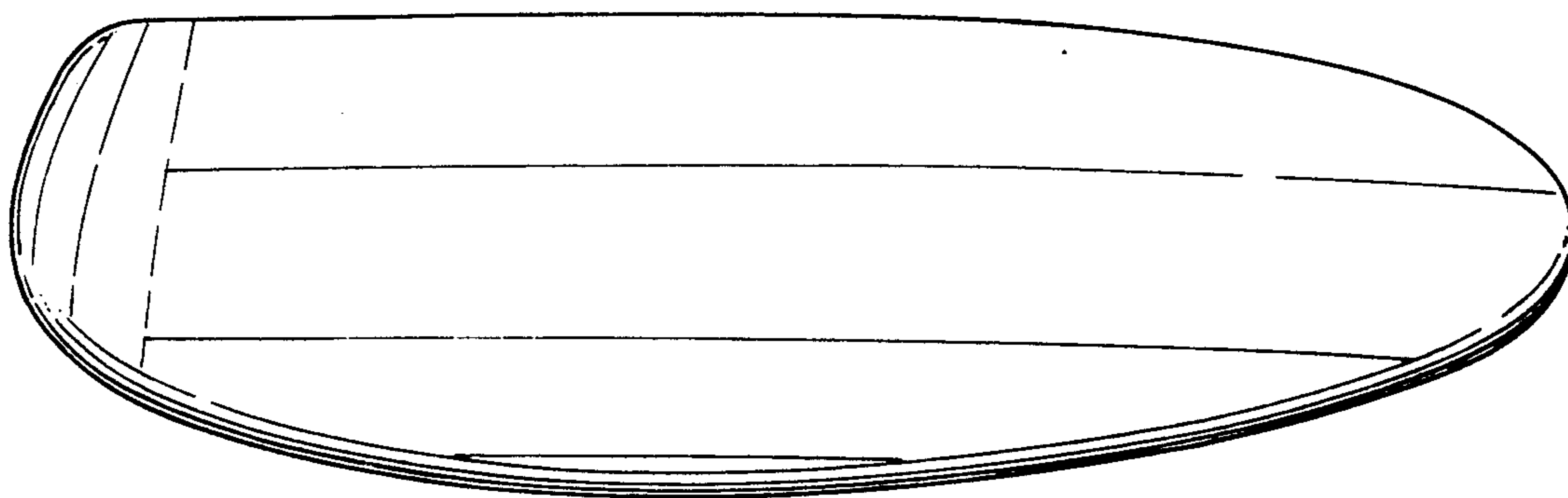


Fig. 8.

