



US00D330409S

United States Patent [19]

[11] Patent Number: **Des. 330,409**

Raffo

[45] Date of Patent: **** Oct. 20, 1992**

[54] HANDLE FOR A LIQUID SPRAYER

[56]

References Cited

U.S. PATENT DOCUMENTS

[75] Inventor: **David Raffo**, Chester, United Kingdom

D. 126,433	4/1941	Enthof	D23/223
D. 181,749	12/1957	Price	D23/223 X
D. 213,556	3/1969	Sheeter	D23/223
3,876,154	4/1975	Griebel	239/476 X
3,964,689	6/1976	Howath, Jr.	239/530 X
4,932,592	6/1990	Abbott et al.	239/530
5,082,185	1/1992	Evans	239/525 X

[73] Assignee: **Nomix-Chipman Limited**, United Kingdom

[**] Term: **14 Years**

Primary Examiner—Susan J. Lucas
Assistant Examiner—M. H. Tung
Attorney, Agent, or Firm—Merchant, Gould, Smith, Edell, Welter & Schmidt

[21] Appl. No.: **704,631**

[57]

CLAIM

[22] Filed: **May 23, 1991**

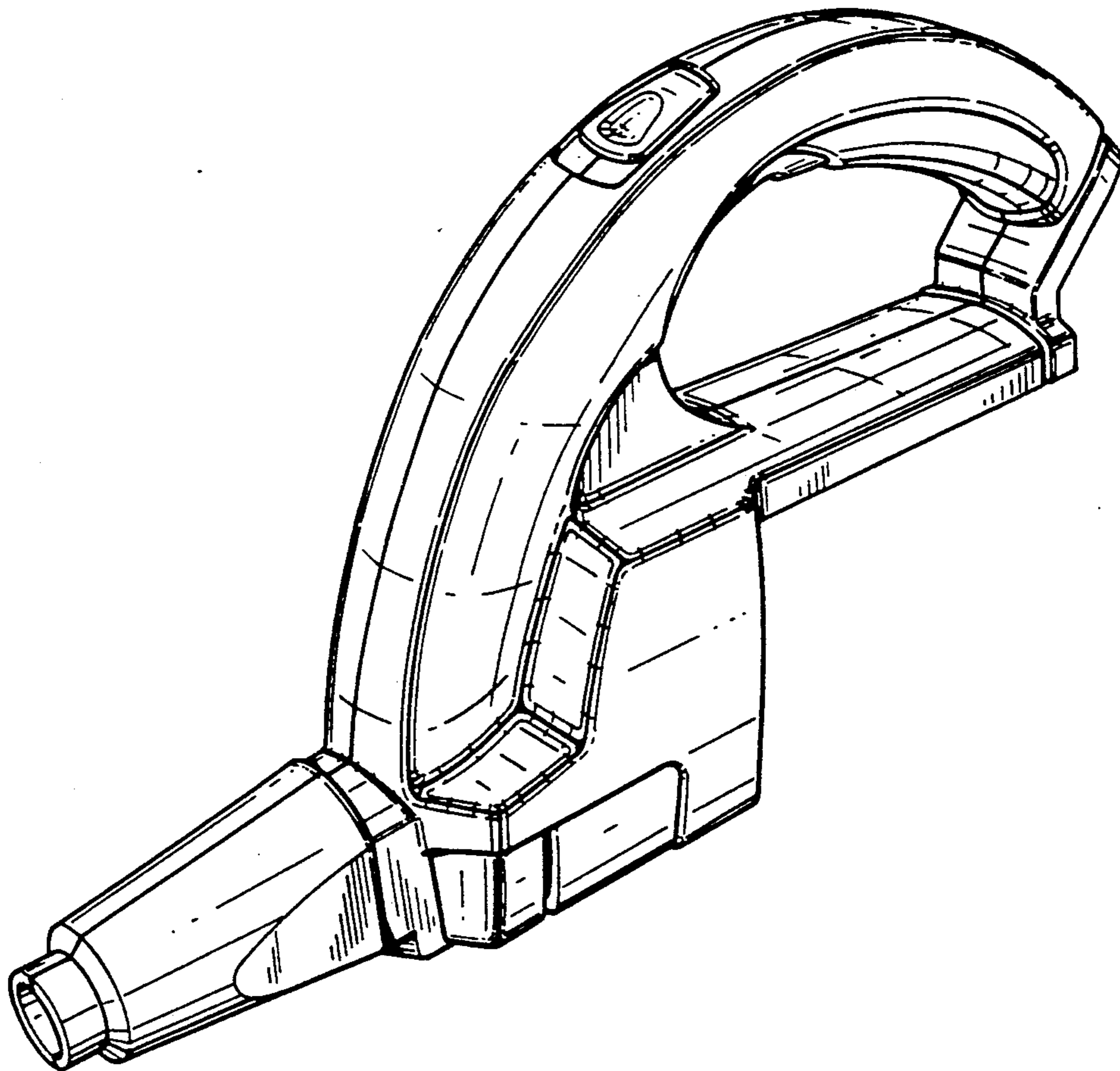
The ornamental design for a handle for a liquid sprayer, as shown.

[30] Foreign Application Priority Data

DESCRIPTION

Nov. 29, 1990 [GB] United Kingdom 2011367
 [52] U.S. Cl. D23/223
 [58] Field of Search D23/213, 223-229;
 239/525-532, 476, 414-415, 554, 556, 301, 332,
 373, 394

FIG. 1 is a front, side perspective view of a handle for a liquid sprayer showing my new design;
FIG. 2 is a rear elevational view thereof;
FIG. 3 is an opposite side elevational view thereof; and,
FIG. 4 is a bottom plan view thereof.



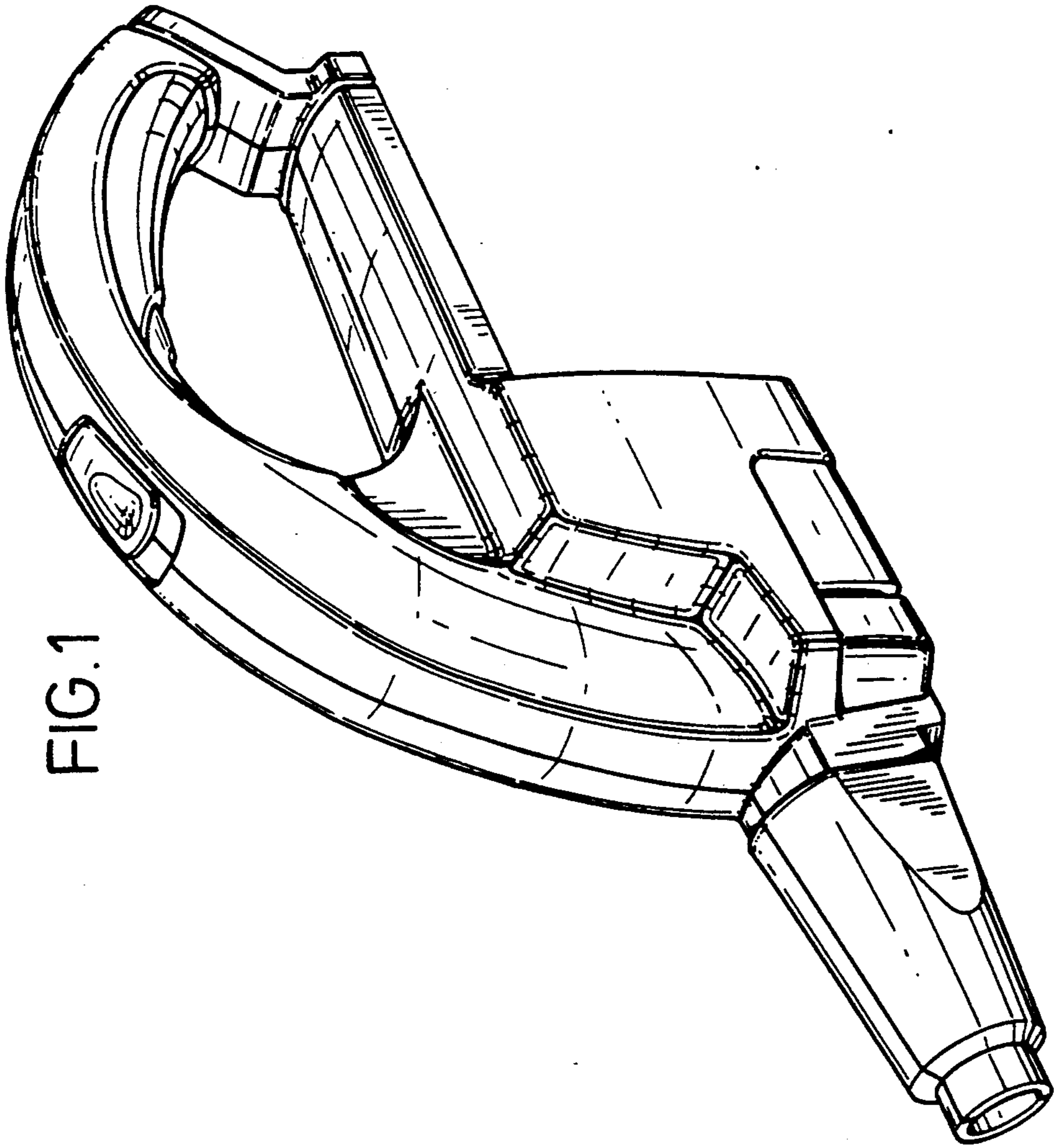
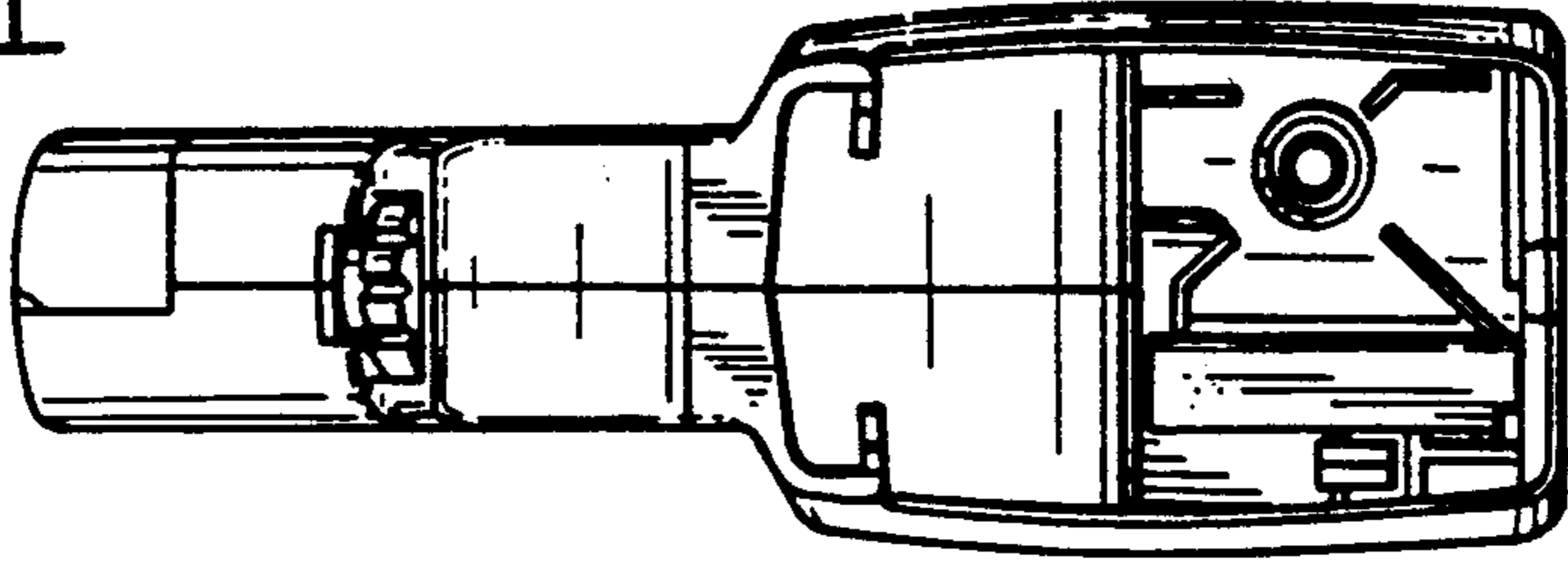


FIG.1

FIG.2



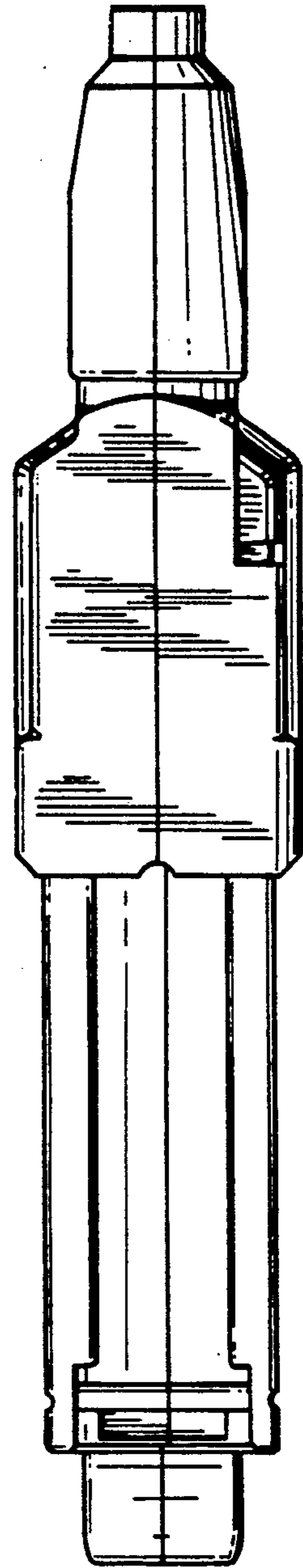
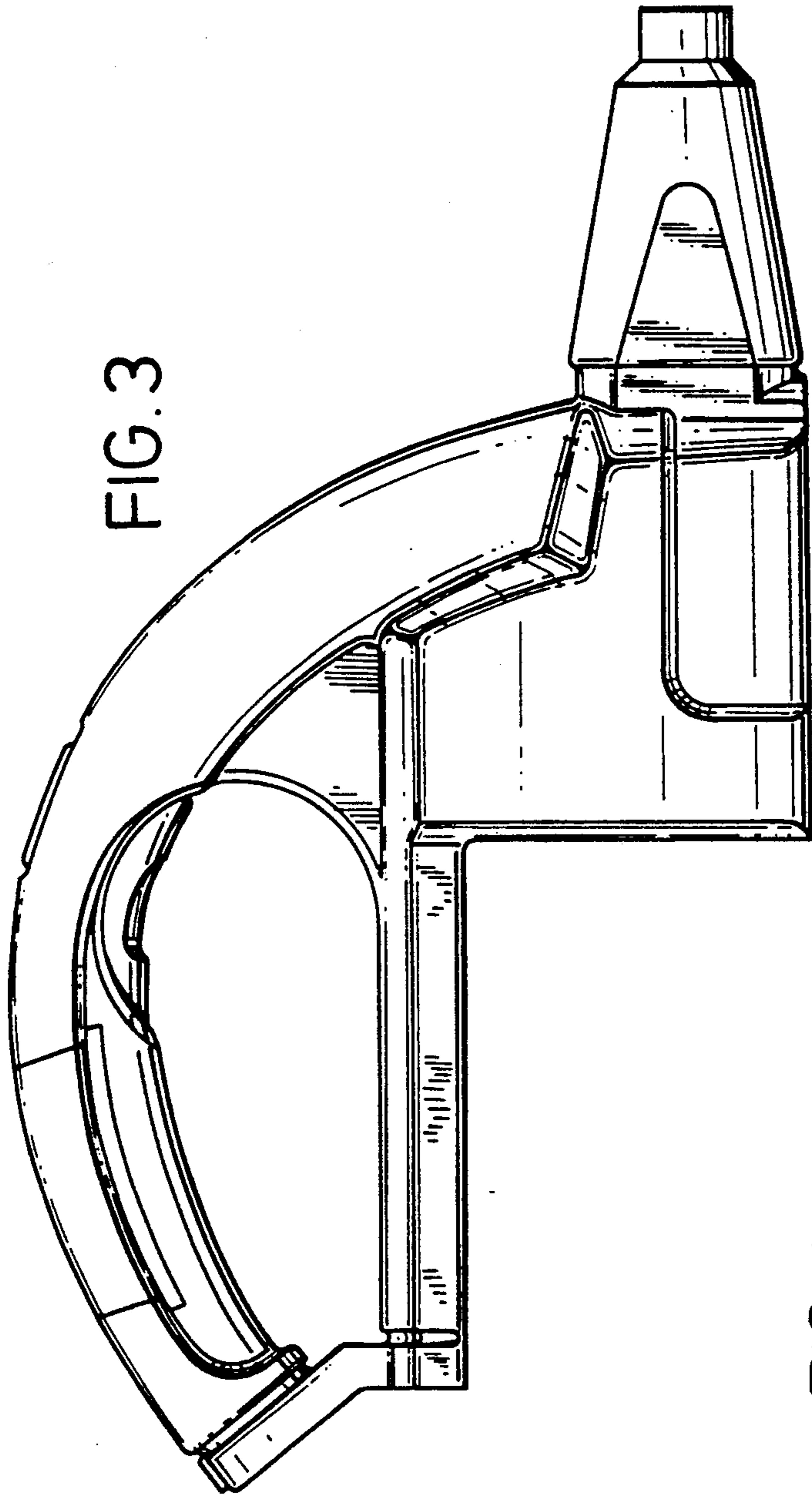


FIG. 4