



US00D330407S

# United States Patent [19]

[11] Patent Number: **Des. 330,407**

Raffo

[45] Date of Patent: **\*\* Oct. 20, 1992**

[54] **SPRAYER NOZZLE**

[56] **References Cited**

[75] Inventor: **David Raffo**, Chester, United Kingdom

### U.S. PATENT DOCUMENTS

D. 152,325	1/1949	Cissell .....	D23/223
D. 179,697	2/1957	Price .....	D23/223
D. 261,547	10/1981	Parke .....	D23/223
3,961,754	6/1976	Kuhns et al. ....	239/525 X
4,740,799	4/1988	Mason et al. ....	239/490 X
5,031,839	7/1991	Waldrum .....	239/525 X

[73] Assignee: **Nomix-Chipman Limited**, United Kingdom

[\*\*] Term: **14 Years**

*Primary Examiner*—Susan J. Lucas  
*Assistant Examiner*—M. H. Tung  
*Attorney, Agent, or Firm*—Merchant, Gould, Smith, Edell, Welter & Schmidt

[21] Appl. No.: **704,643**

[22] Filed: **May 23, 1991**

[57] **CLAIM**

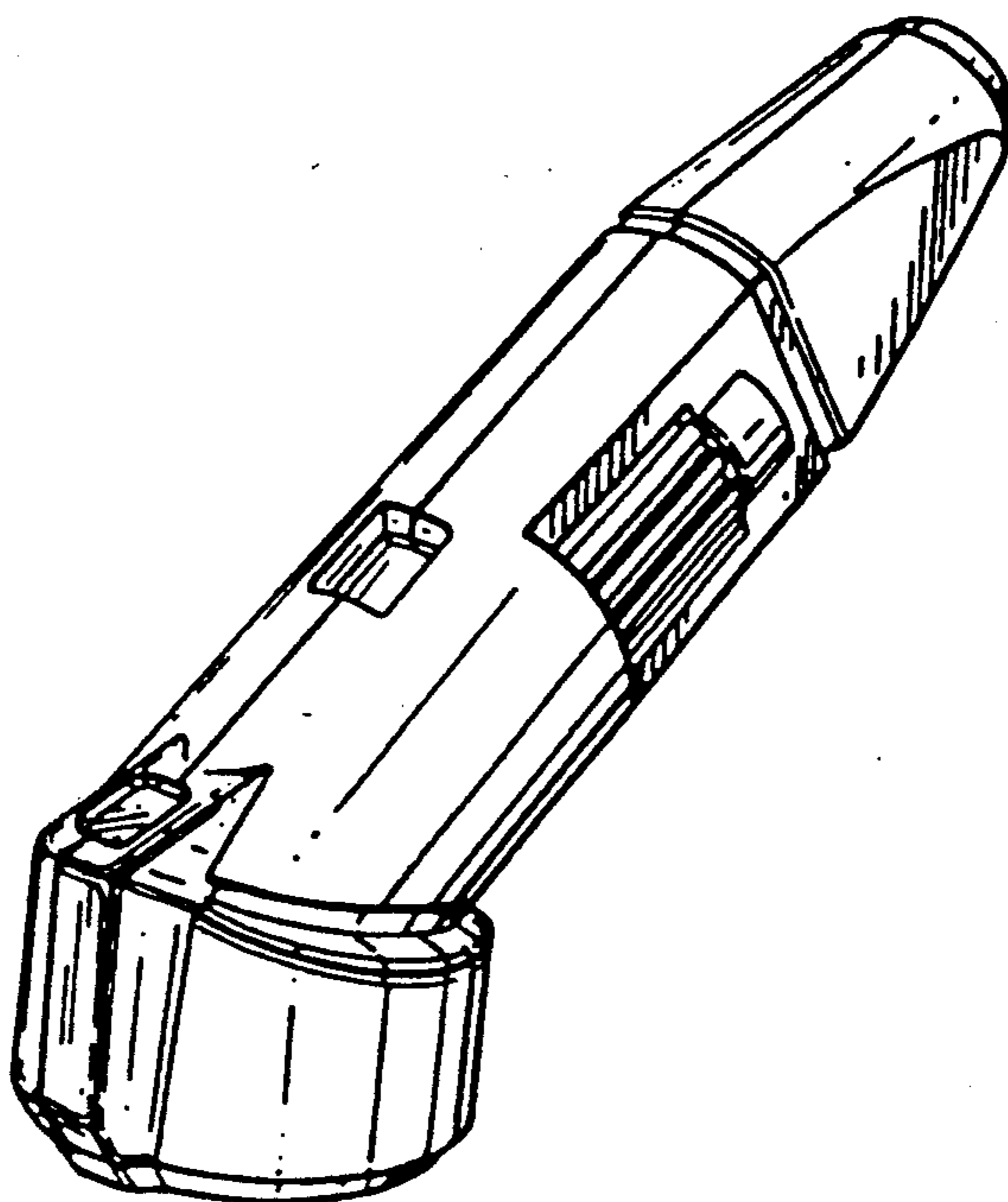
The ornamental design for a sprayer nozzle, as shown.

[30] **Foreign Application Priority Data**

Nov. 29, 1990	[GB]	United Kingdom .....	2011368
[52]	U.S. Cl. ....		<b>D23/213</b>
[58]	Field of Search .....	D23/200, 213, 223-229; 239/301, 332, 373, 394, 414-415, 525-528, 532, 554, 556	

### DESCRIPTION

FIG. 1 is a front, side perspective view of a sprayer nozzle showing my new design;  
FIG. 2 is an opposite side elevational view thereof;  
FIG. 3 is a rear elevational view thereof; and,  
FIG. 4 is a bottom plan view thereof.



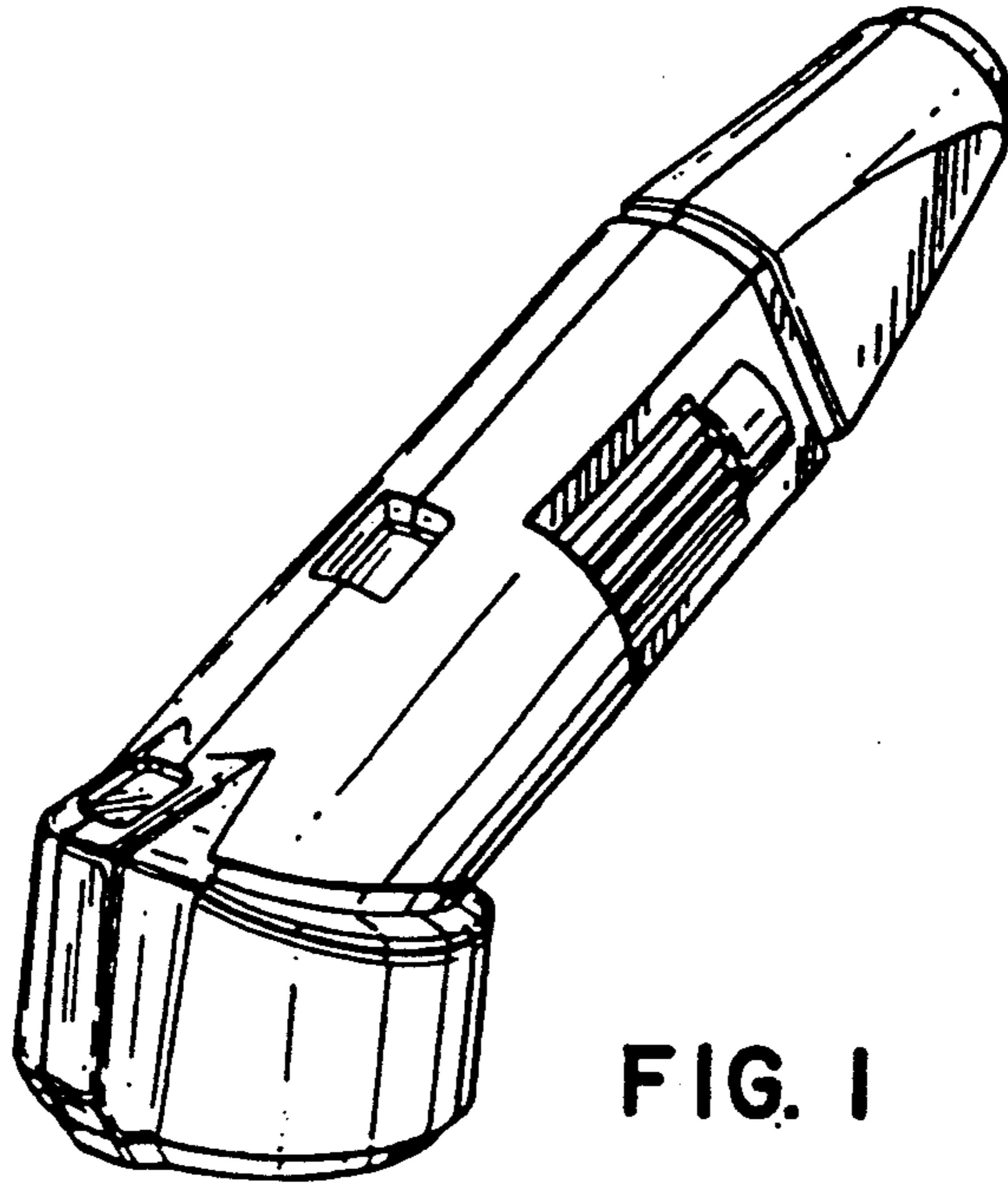


FIG. 1

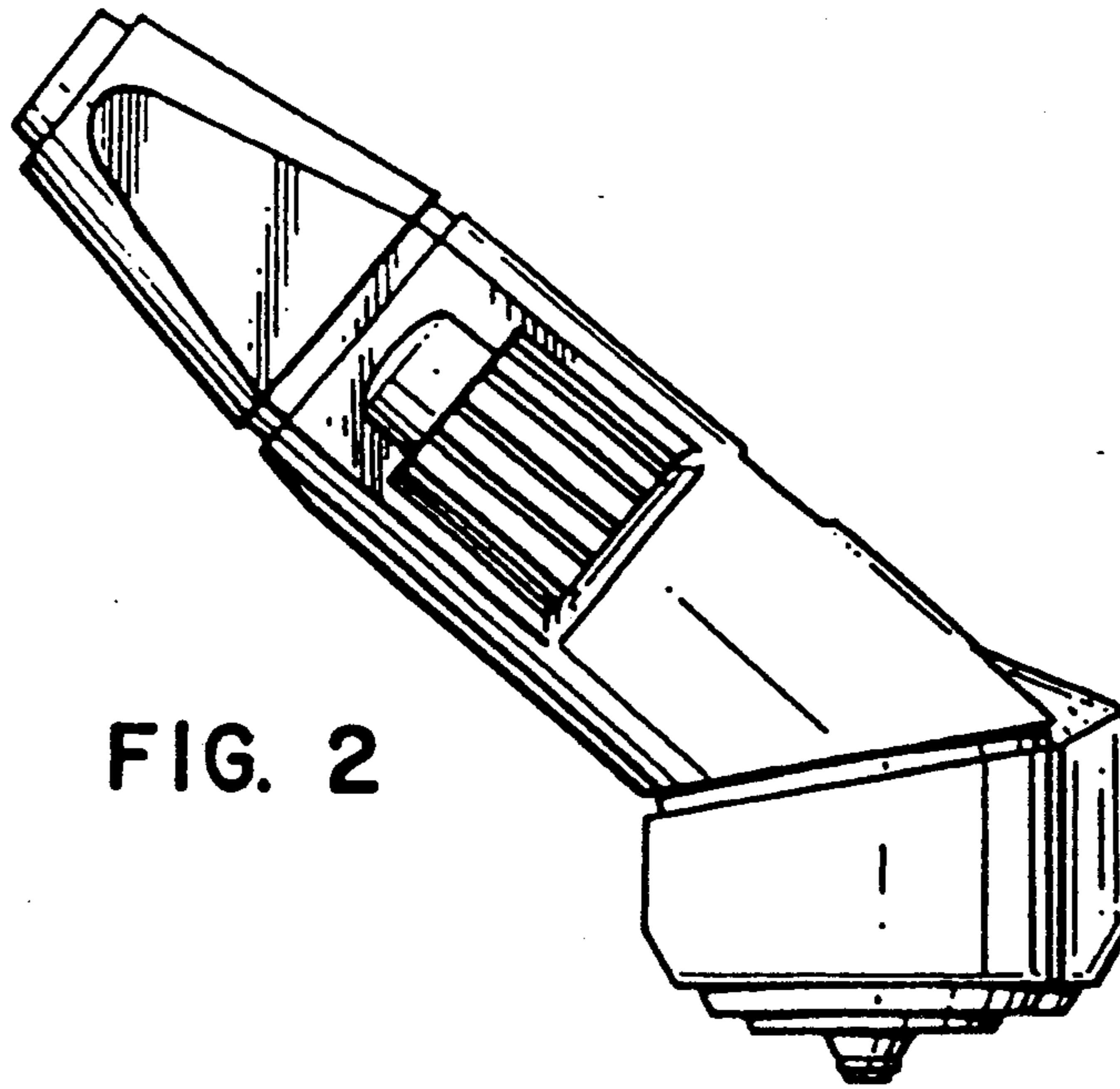


FIG. 2

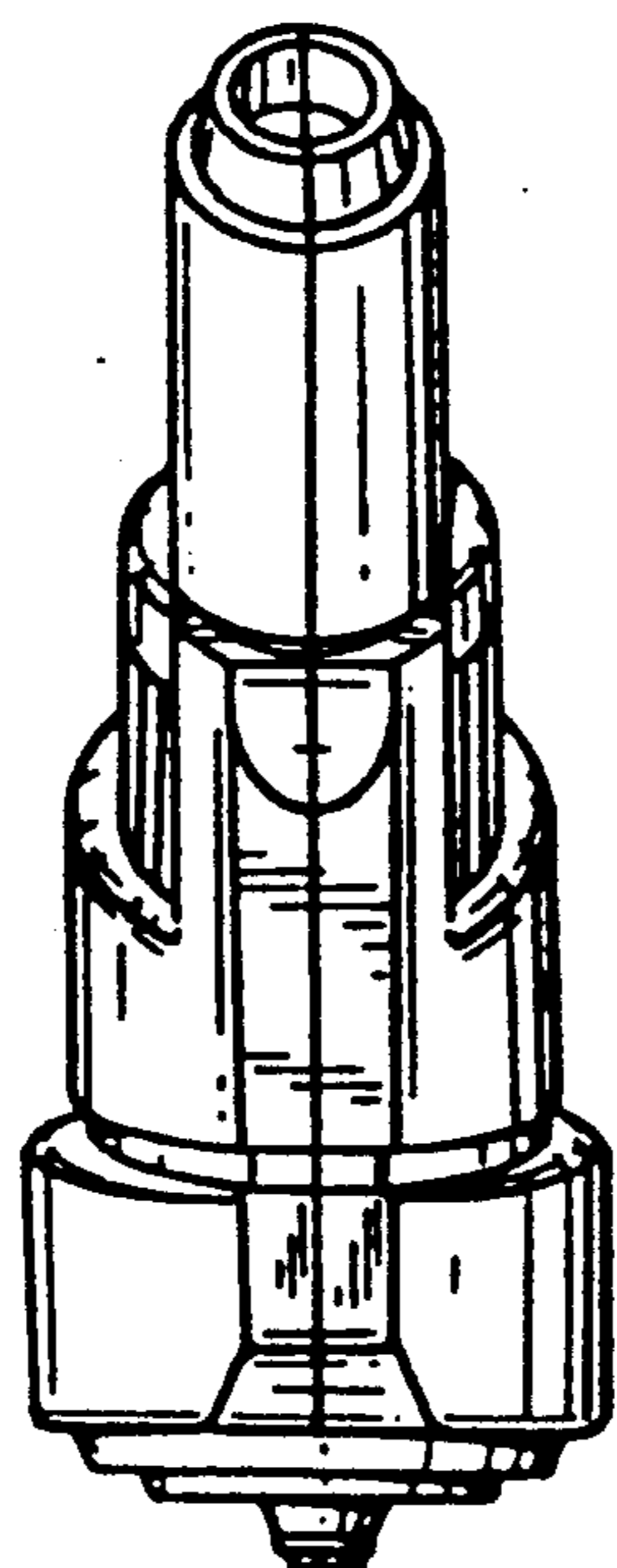


FIG. 3

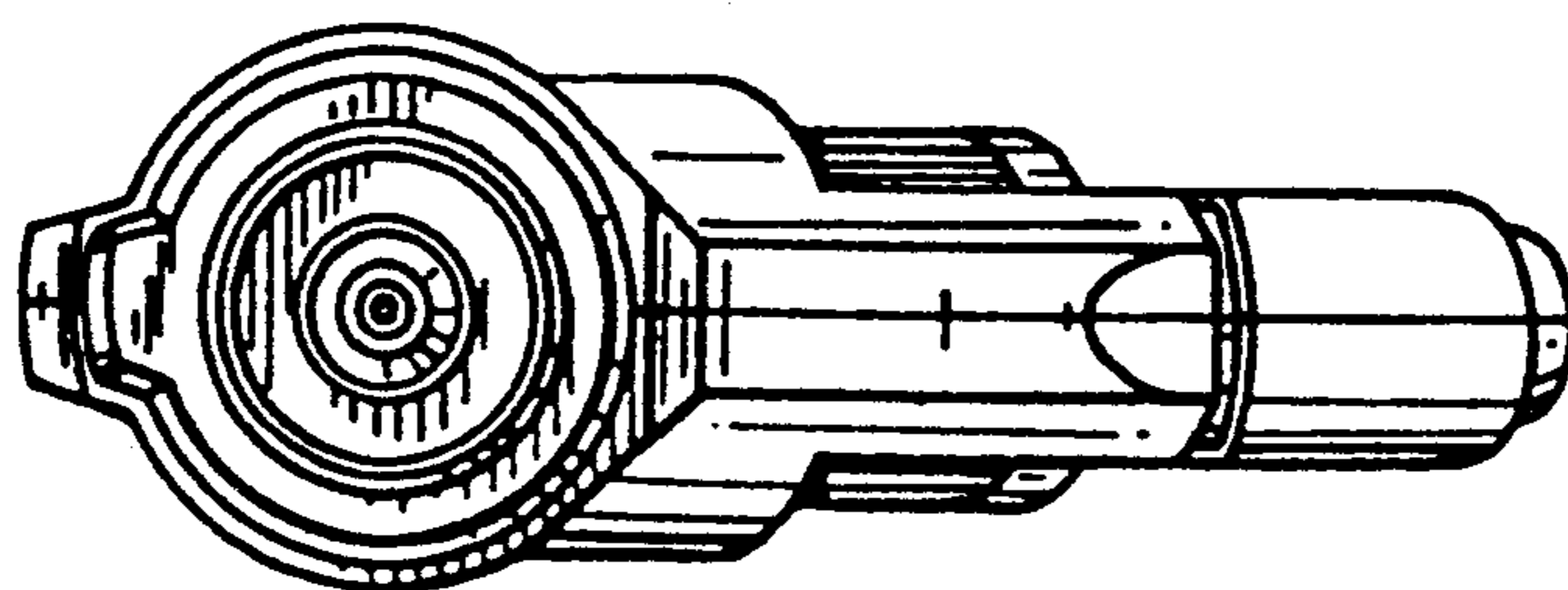


FIG. 4