



US00D330404S

United States Patent [19]

[11] Patent Number: **Des. 330,404**

Segovia

[45] Date of Patent: **** Oct. 20, 1992**

[54] **MULTIPLE BLADED ARROWHEAD**

4,616,835 10/1986 Trotter 273/421
4,643,435 2/1987 Musacchia 30/337 X

[76] Inventor: **Jose F. Segovia**, 509 Bayonne,
Laredo, Tex. 78041

Primary Examiner—A. Hugo Word
Assistant Examiner—Doris V. Coles
Attorney, Agent, or Firm—Richard C. Litman

[**] Term: **14 Years**

[21] Appl. No.: **526,623**

[57] **CLAIM**

[22] Filed: **May 22, 1990**

The ornamental design for a multiple bladed arrowhead, as shown and described.

[52] U.S. Cl. **D22/115**

[58] Field of Search **D22/115; 273/416, 419,
273/420-423; 30/337**

DESCRIPTION

[56] **References Cited**

U.S. PATENT DOCUMENTS

D. 232,731	9/1974	Altier	D22/115
3,398,960	8/1968	Carroll, Jr.	273/419 X
3,419,273	12/1968	Rudzinski	273/421
3,897,062	7/1975	Christensen	273/421
4,505,482	3/1985	Martin, Sr.	D22/115 X
4,565,377	1/1986	Troncoso, Jr. et al.	273/422
4,570,941	2/1986	Saunders	30/337 X

FIG. 1 is a perspective view of a Multiple Bladed Arrowhead, showing my new design;
FIG. 2 is a side elevational view, the opposite side being a mirror image thereof;
FIG. 3 is a front elevational view thereof;
FIG. 4 is a rear elevational view thereof;
FIG. 5 is a perspective view of a second embodiment;
FIG. 6 is a rear elevational view thereof;
FIG. 7 is a front elevational view thereof; and,
FIG. 8 is a side elevational view, the opposite side being a mirror image thereof.

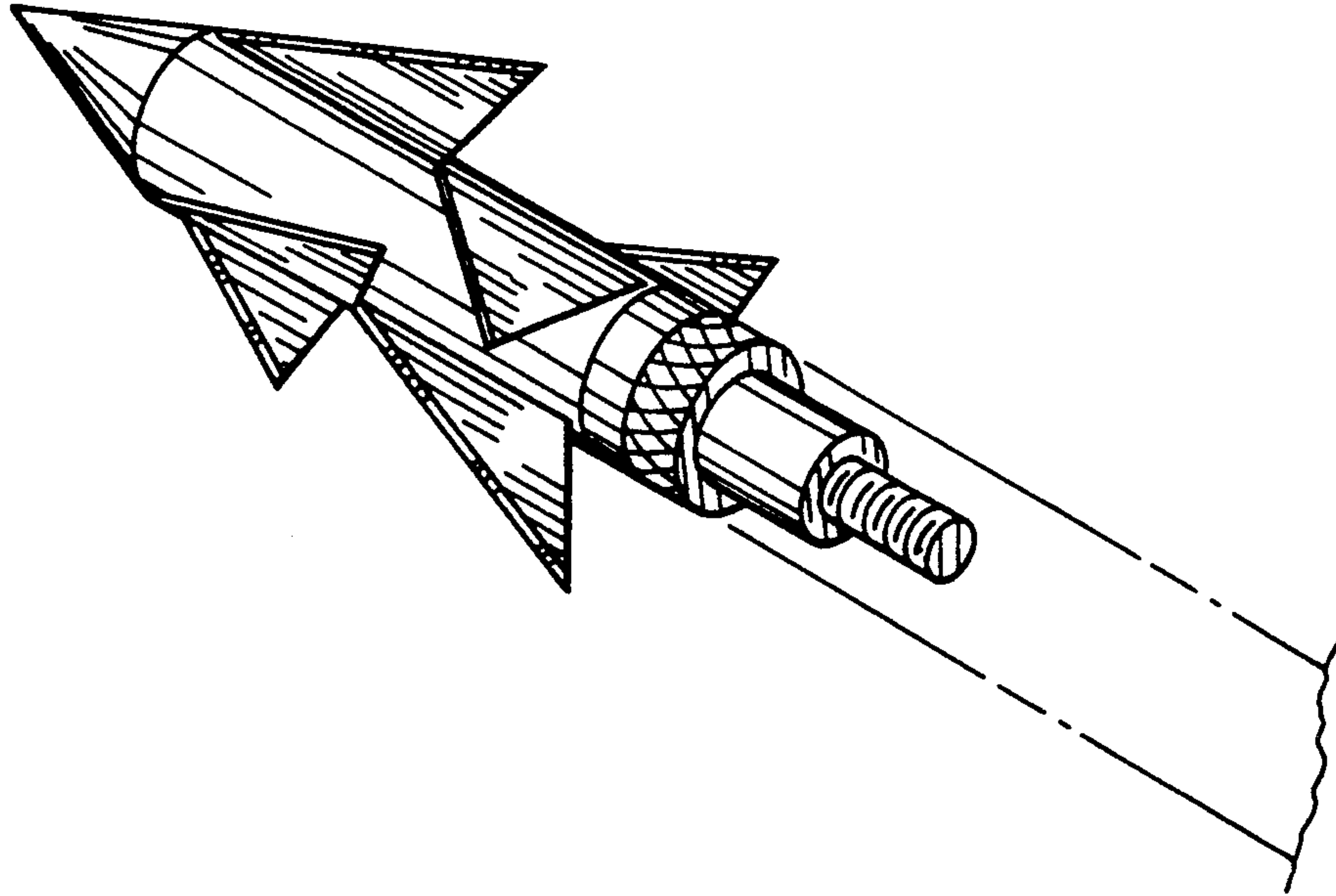


Fig 1

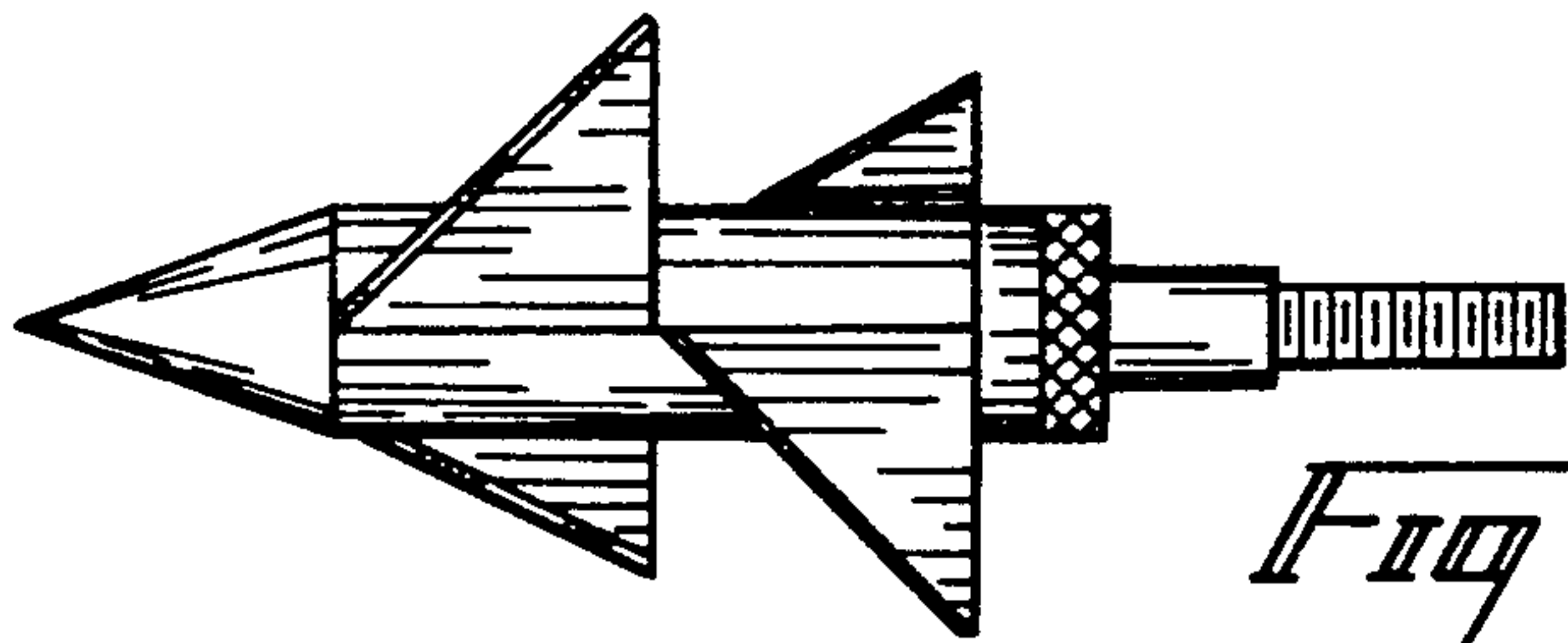
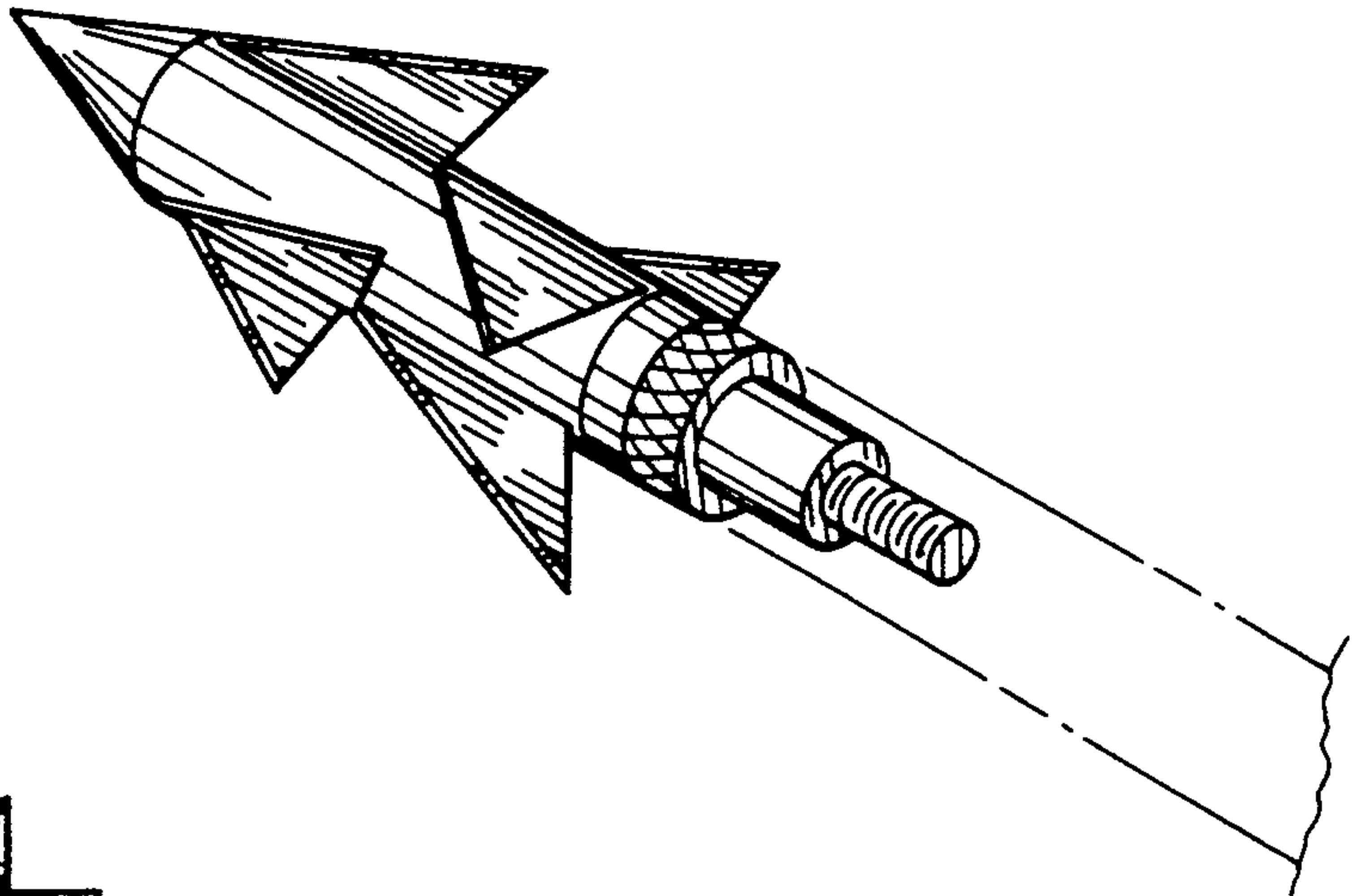


Fig 2

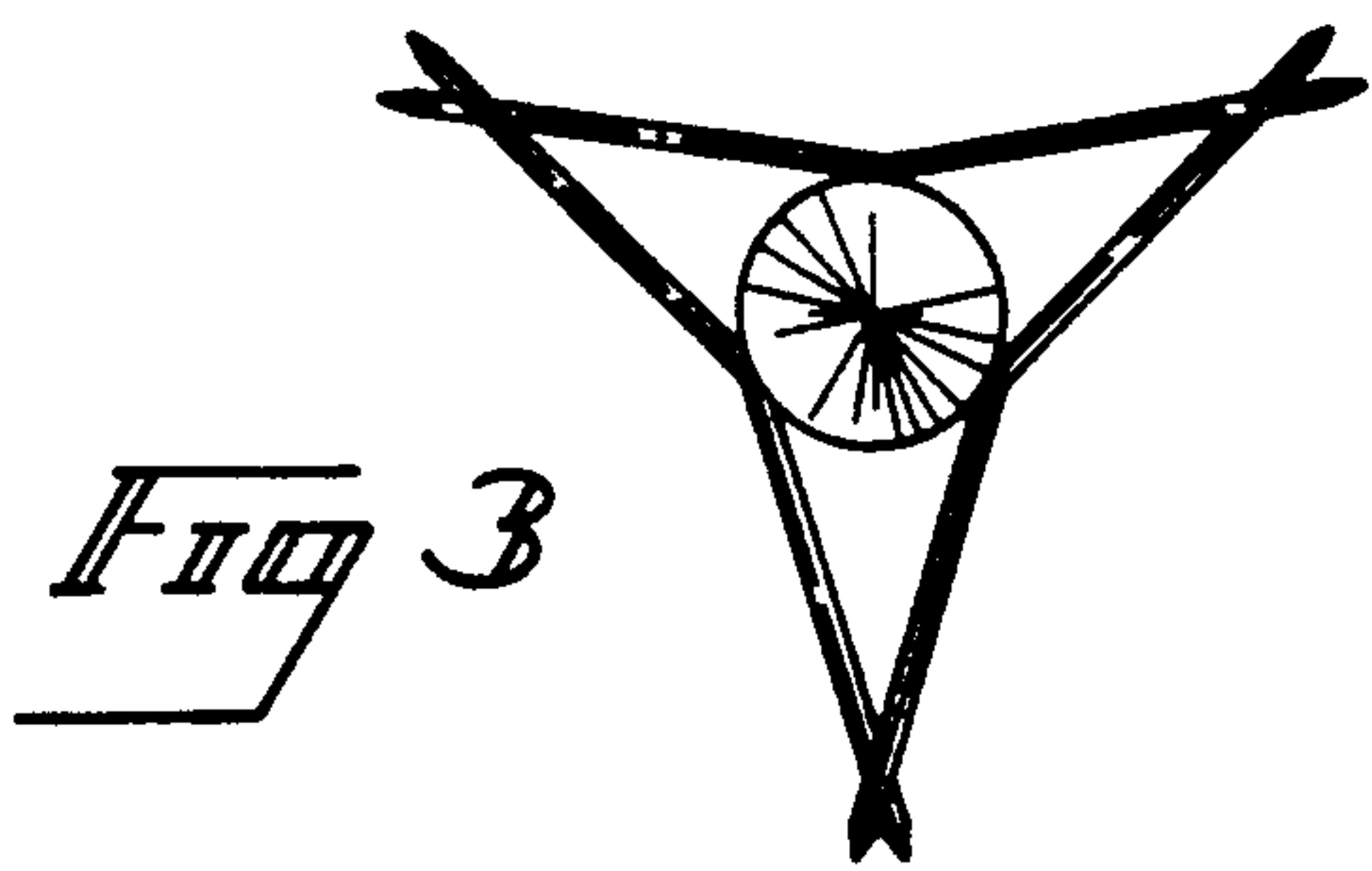


Fig 3

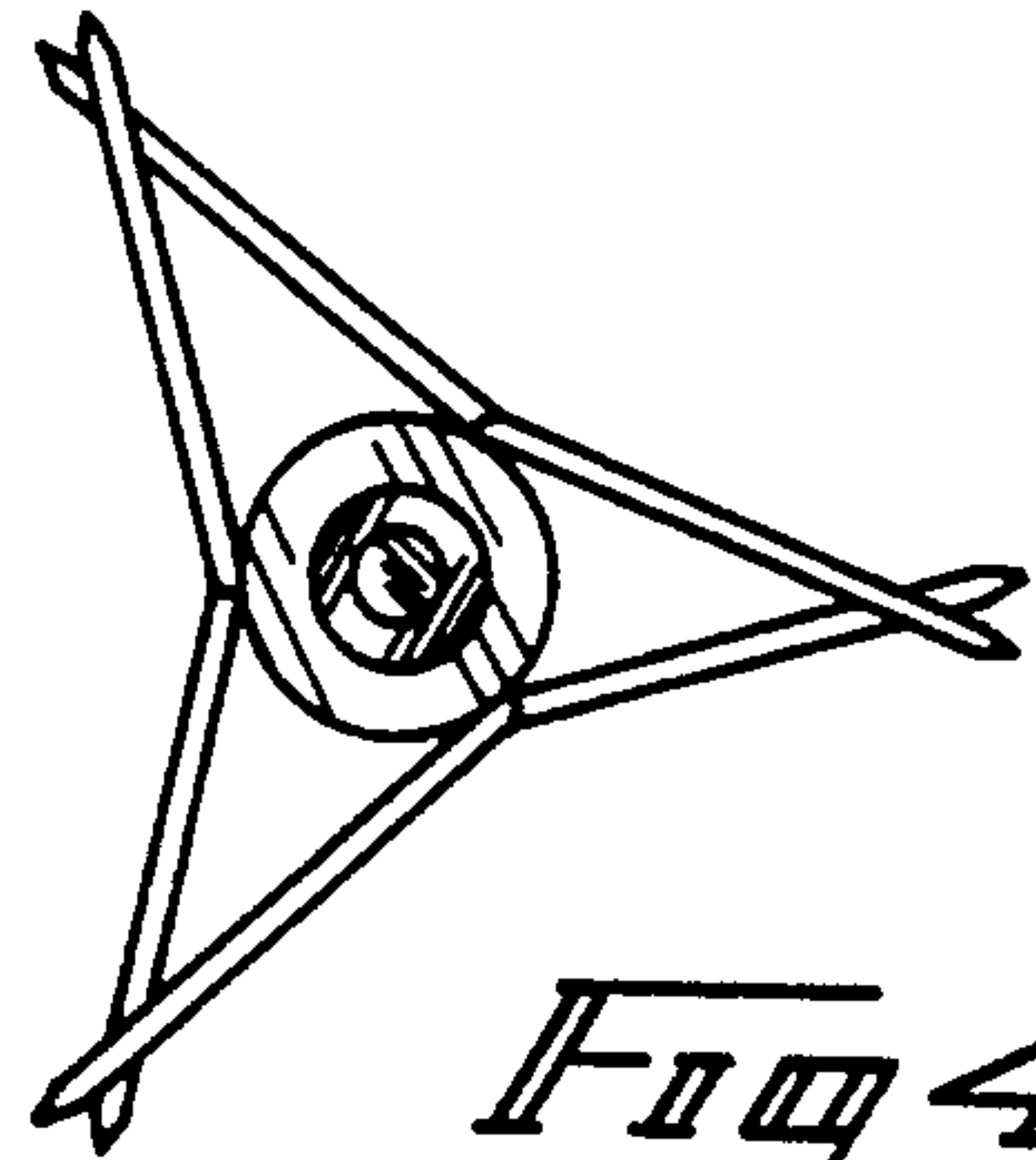


Fig 4

