



US00D330402S

United States Patent [19]

Griffes

[11] Patent Number: **Des. 330,402**

[45] Date of Patent: **** Oct. 20, 1992**

[54] **ASSEMBLABLE BUOYANCY FLOAT**

[76] Inventor: **Donald L. Griffes**, 667 E. Main St.,
Newport, Vt. 05855

[**] Term: **14 Years**

[21] Appl. No.: **527,545**

[22] Filed: **May 24, 1990**

[52] U.S. Cl. **D21/237; D21/236**

[58] Field of Search **D21/237, 236; 441/40,**
441/115, 65, 66, 129; D6/604

[56] **References Cited**

U.S. PATENT DOCUMENTS

2,724,133 11/1955 Sorrell 441/115
4,779,555 10/1988 Hong 441/40

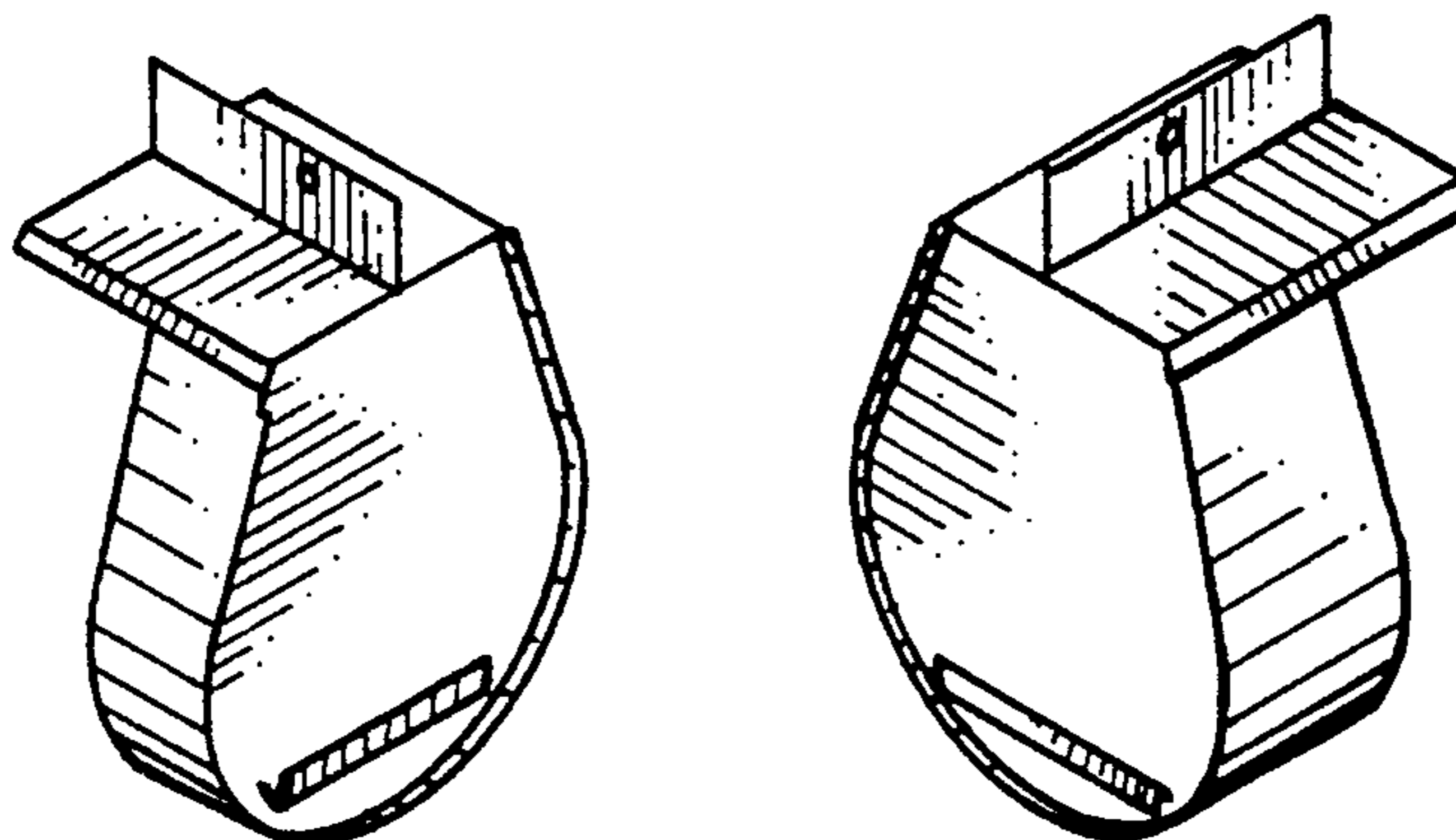
Primary Examiner—**Kay H. Chin**

[57] **CLAIM**

The ornamental design for an assemblable buoyancy float, as shown and described.

DESCRIPTION

FIG. 1 is a top plan view of an assemblable buoyancy float showing my new design;
FIG. 2 is a side elevational view thereof, the opposite side view being a mirror image of that shown;
FIG. 3 is a bottom plan view thereof;
FIG. 4 is a front elevational view thereof, the rear elevational view being a mirror image of that shown; and,
FIG. 5 is a top perspective view thereof showing an unassembled condition.



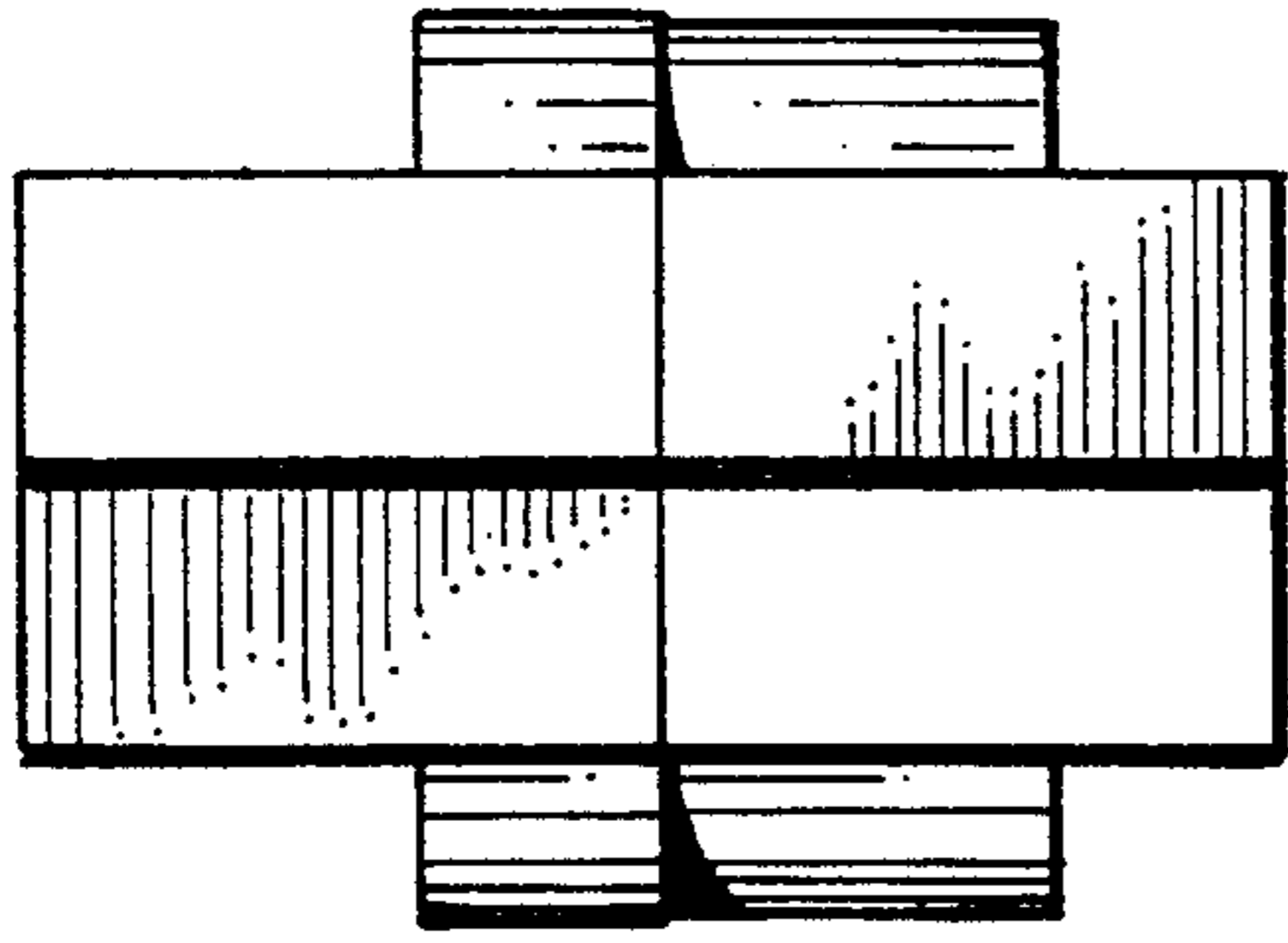


FIG. 1

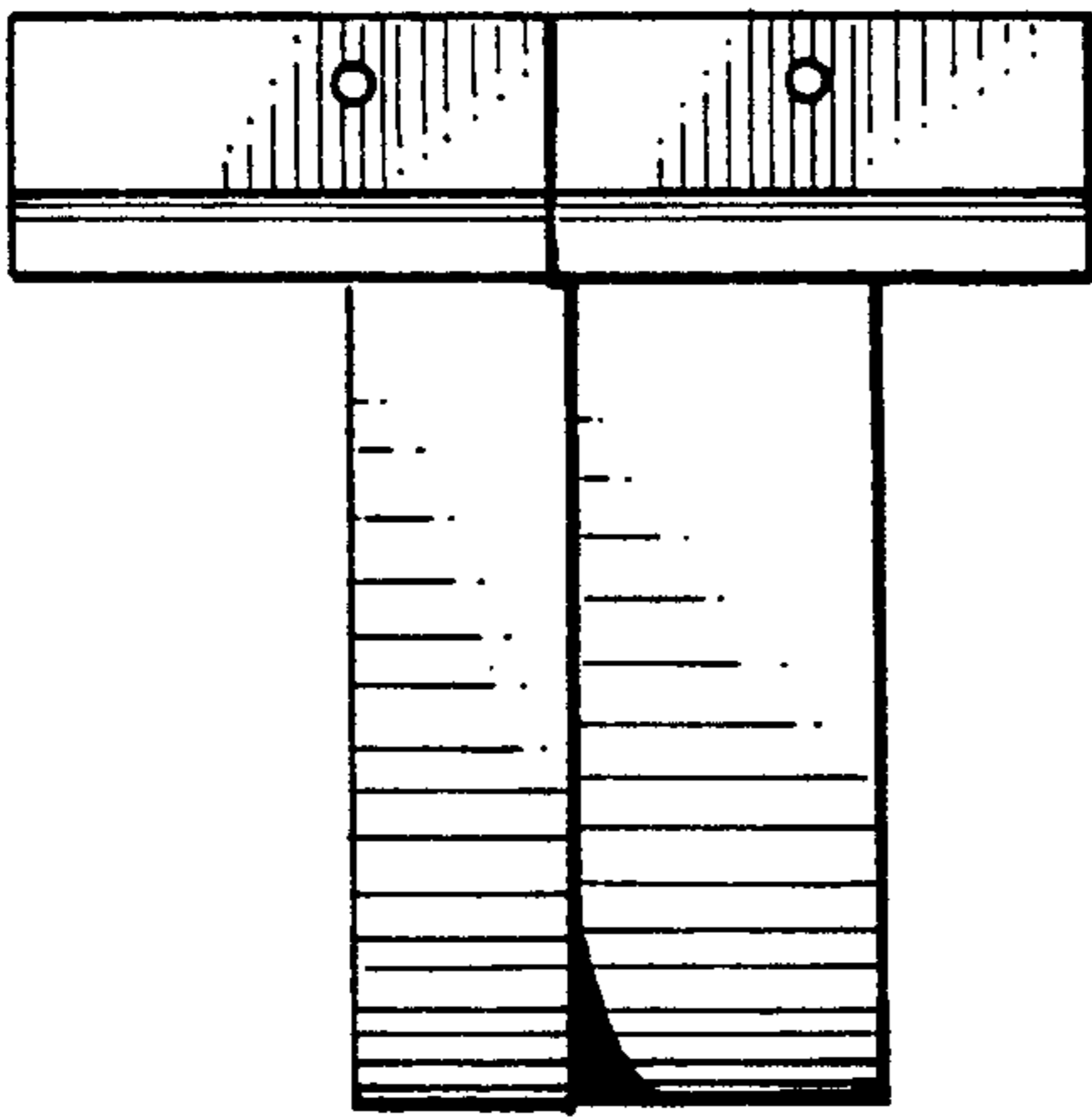


FIG. 2

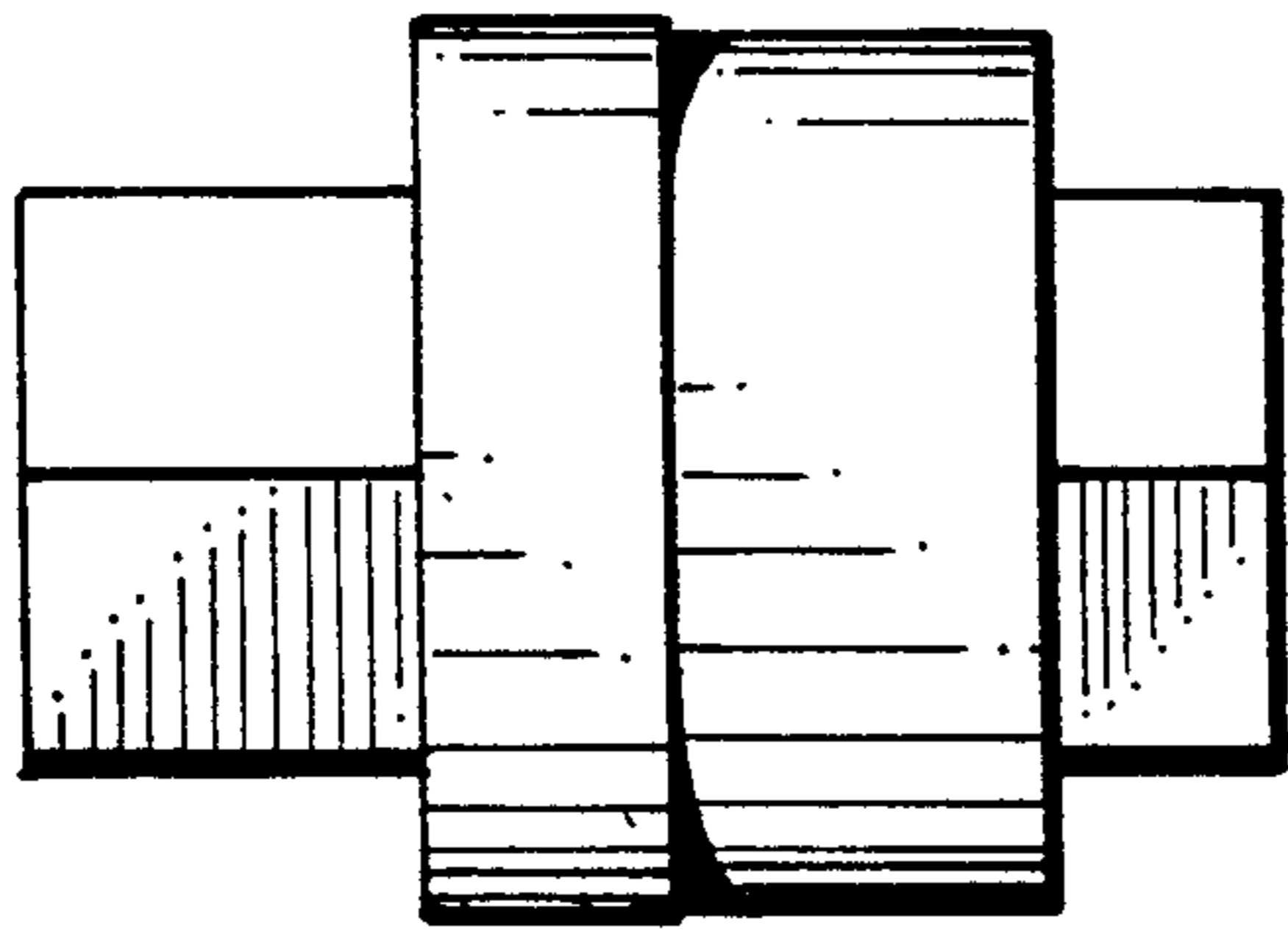


FIG. 3

FIG. 4

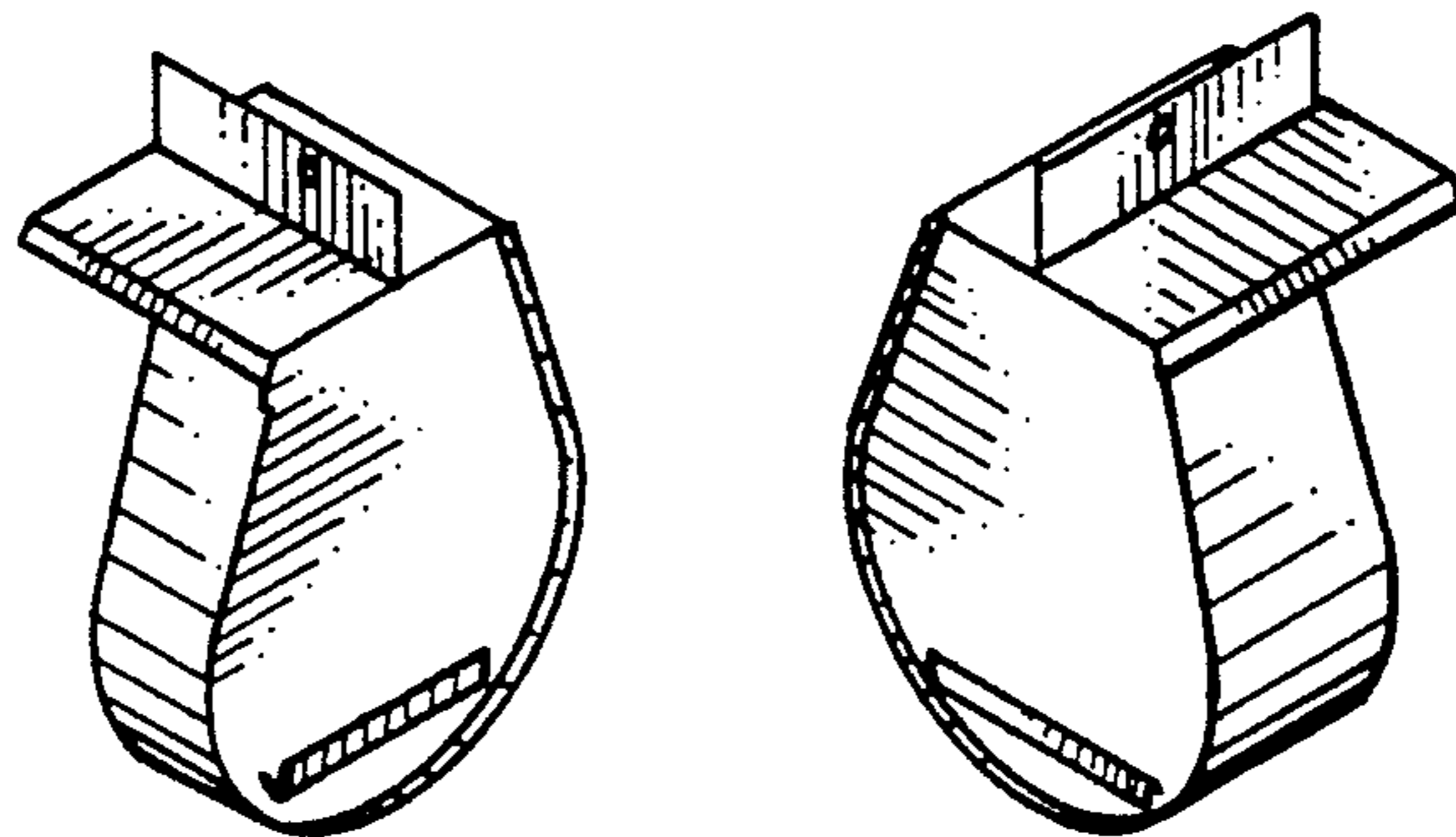
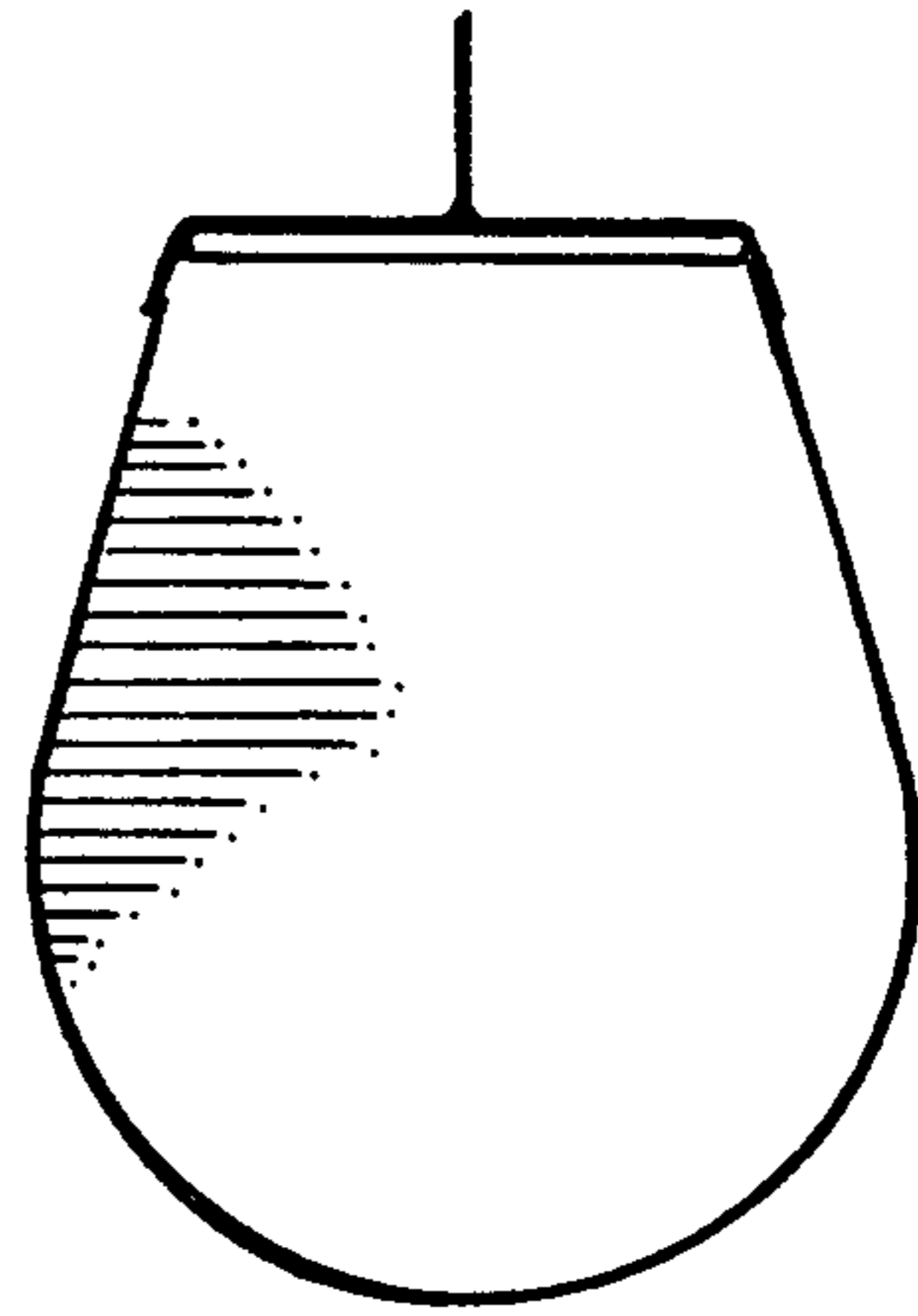


FIG. 5