



US00D330401S

# United States Patent [19]

[11] Patent Number: **Des. 330,401**

Harris, Jr.

[45] Date of Patent: **\*\* Oct. 20, 1992**

[54] GOLF CLUB COVER

[56] **References Cited  
PUBLICATIONS**

[75] Inventor: **Albert F. Harris, Jr., Leawood, Kans.**

Austad's 1986 Golfers Xmas cat., p. 21, golf club head cover.

*Primary Examiner*—Melvin B. Feifer  
*Attorney, Agent, or Firm*—Hovey, Williams, Timmons & Collins

[73] Assignee: **Emmeline Cosmetics Corporation, Kansas City, Mo.**

[57] **CLAIM**

The ornamental design for a golf club cover, as shown, and described.

[\*\*] Term: **14 Years**

**DESCRIPTION**

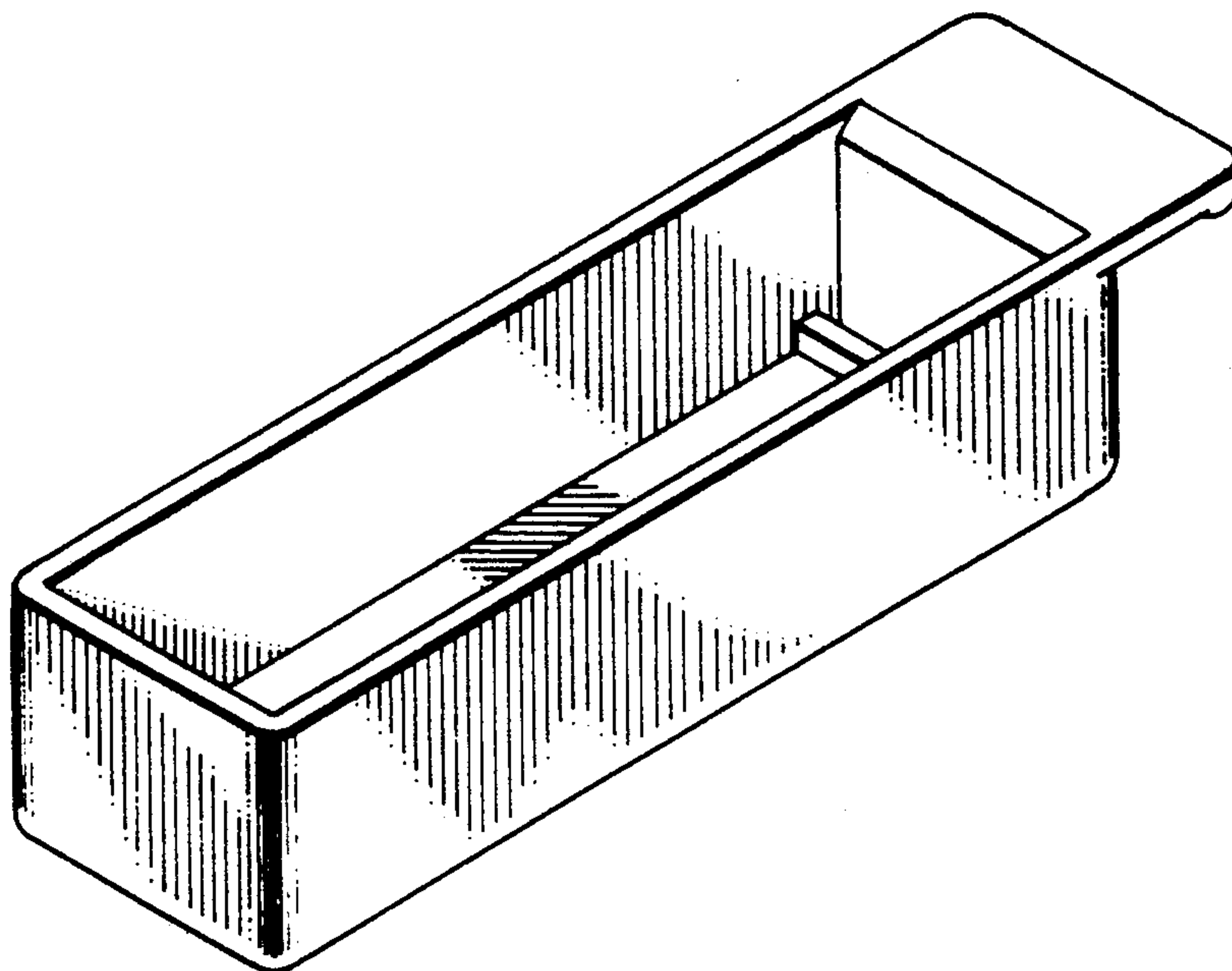
[21] Appl. No.: **484,655**

FIG. 1 is a top plan view of a golf club cover showing my new design;  
FIG. 2 is a side elevational view;  
FIG. 3 is a bottom plan view;  
FIG. 4 is a longitudinal central sectional view;  
FIG. 5 is a front end elevational view;  
FIG. 6 is a rear end elevational view; and,  
FIG. 7 is a perspective view.

[22] Filed: **Mar. 19, 1990**

[52] U.S. Cl. .... **D21/221**

[58] Field of Search ..... **D21/221; 150/160**



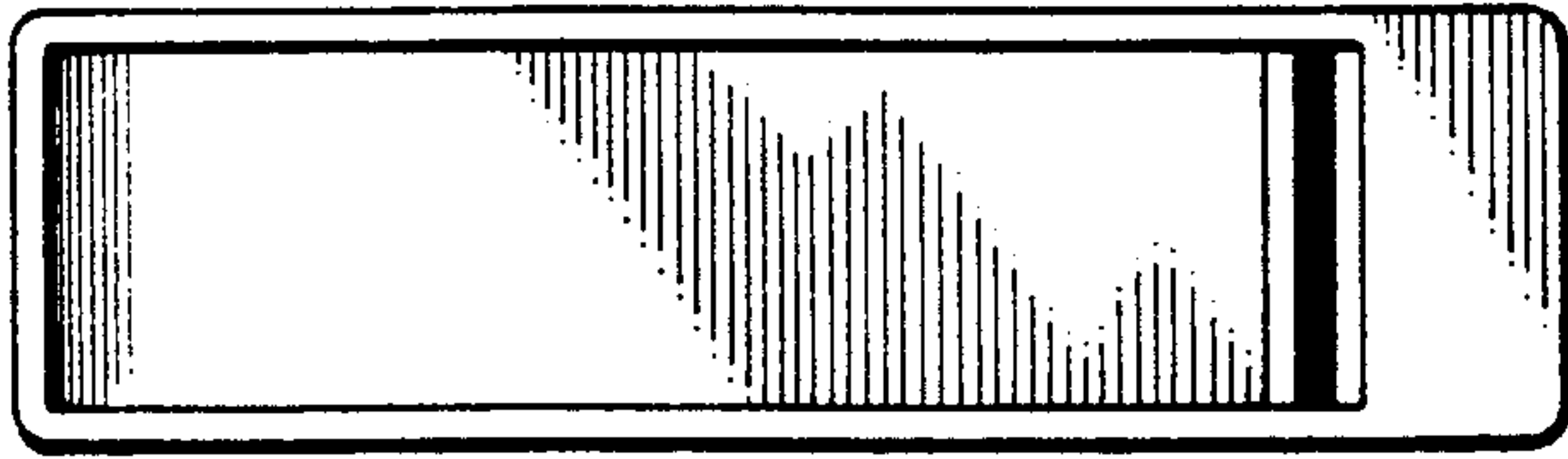


FIG. 1



FIG. 2

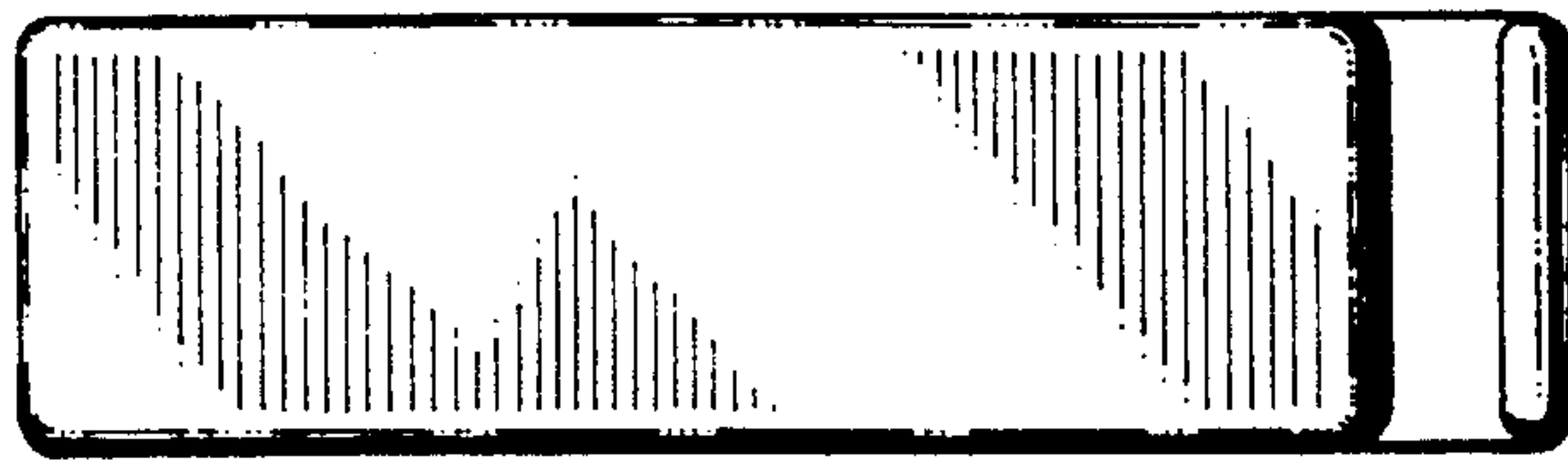


FIG. 3

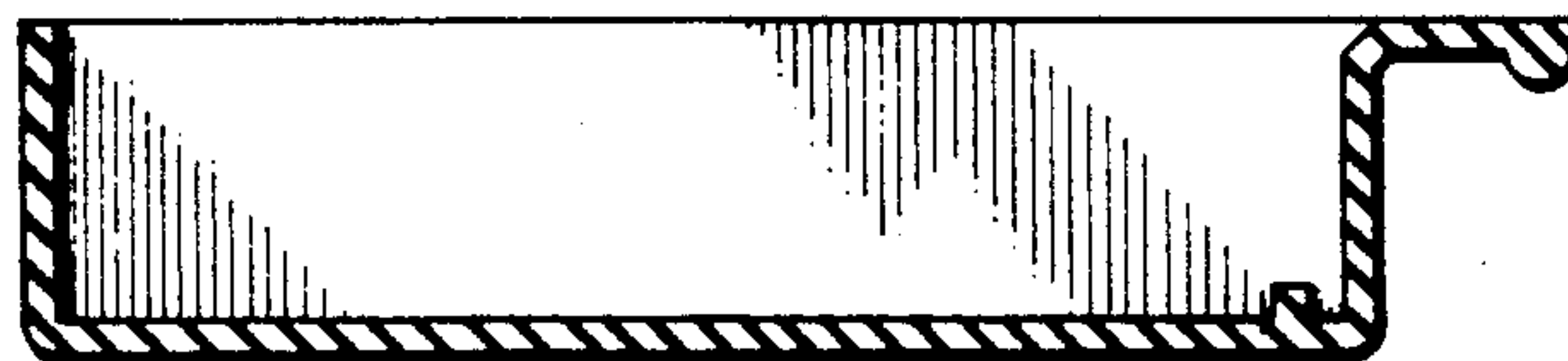


FIG. 4



FIG. 5



FIG. 6

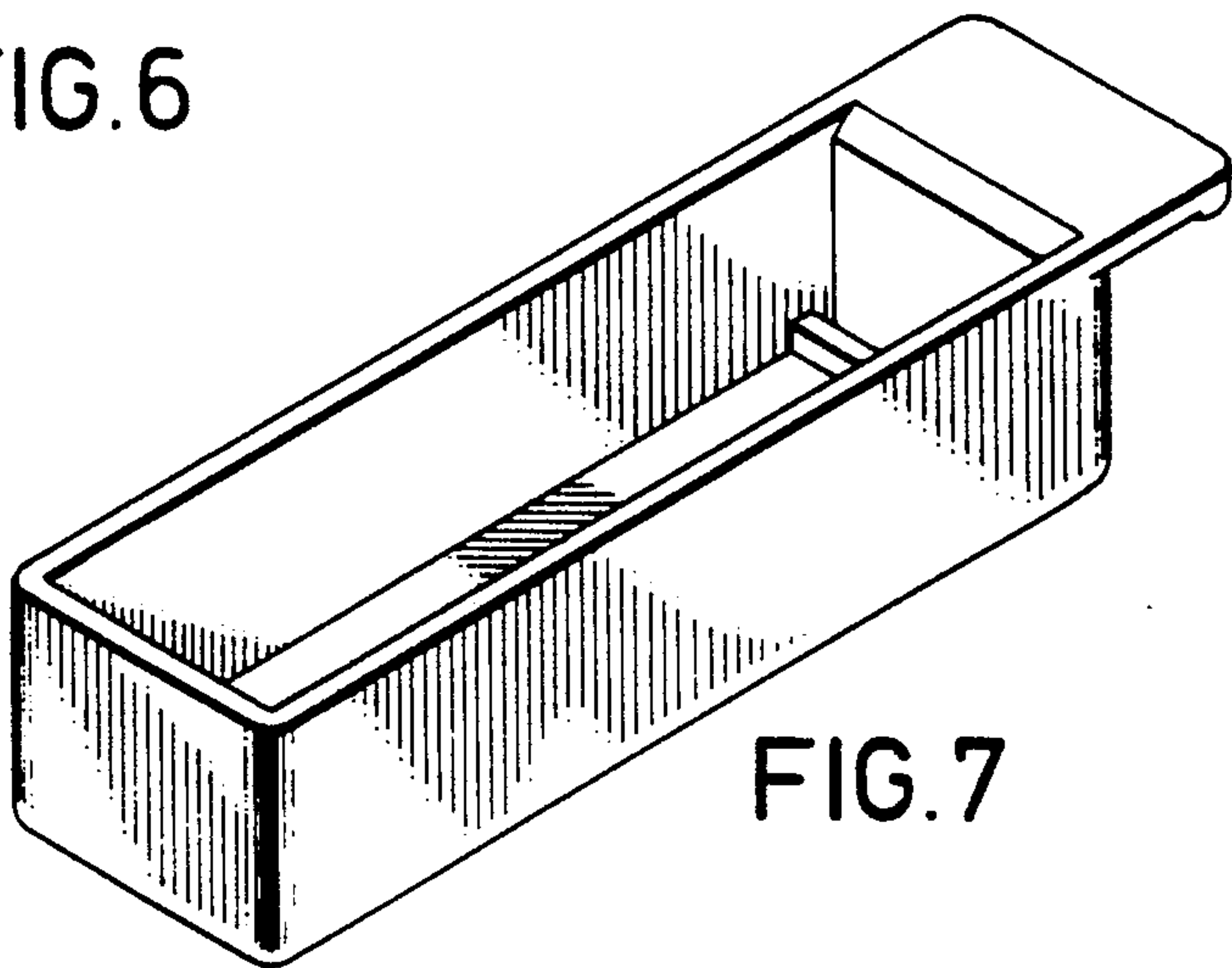


FIG. 7