



US00D330399S

United States Patent [19]

[11] Patent Number: **Des. 330,399**

Furline

[45] Date of Patent: **** Oct. 20, 1992**

[54] EXERCISE TREADMILL

4,842,266 6/1989 Sweeney, Sr. et al. 482/54

[75] Inventor: **James M. Furline**, Alabaster, Ala.

OTHER PUBLICATIONS

[73] Assignee: **Fitness Equipment Company, Inc.**, Clanton, Ala.

Best cat., 1989, pp. 277 & 278.

[**] Term: **14 Years**

Primary Examiner—Bernard Ansher

[21] Appl. No.: **580,297**

Assistant Examiner—Philip Hyder

[22] Filed: **Sep. 10, 1990**

Attorney, Agent, or Firm—Jennings, Carter, Thompson & Veal

[52] U.S. Cl. **D21/192**

[58] Field of Search **D21/191, 192; 482/54**

[57] CLAIM

The ornamental design for an exercise treadmill, as shown and described.

[56] References Cited

DESCRIPTION

U.S. PATENT DOCUMENTS

D. 289,667	5/1987	Danchulis	D21/192
D. 302,837	8/1989	Sherrard	D21/192
D. 303,414	9/1989	Armstrong et al.	D21/192
D. 306,891	3/1990	Watterson	D21/192
D. 313,826	1/1991	Birrell et al.	D21/192
D. 315,765	3/1991	Measom et al.	D21/192
D. 316,124	4/1991	Dalebout et al.	D21/192
D. 318,699	7/1991	Jacobson et al.	D21/192

FIG. 1 is a perspective view of an exercise treadmill showing my new design;

FIG. 2 is a right side elevational view thereof;

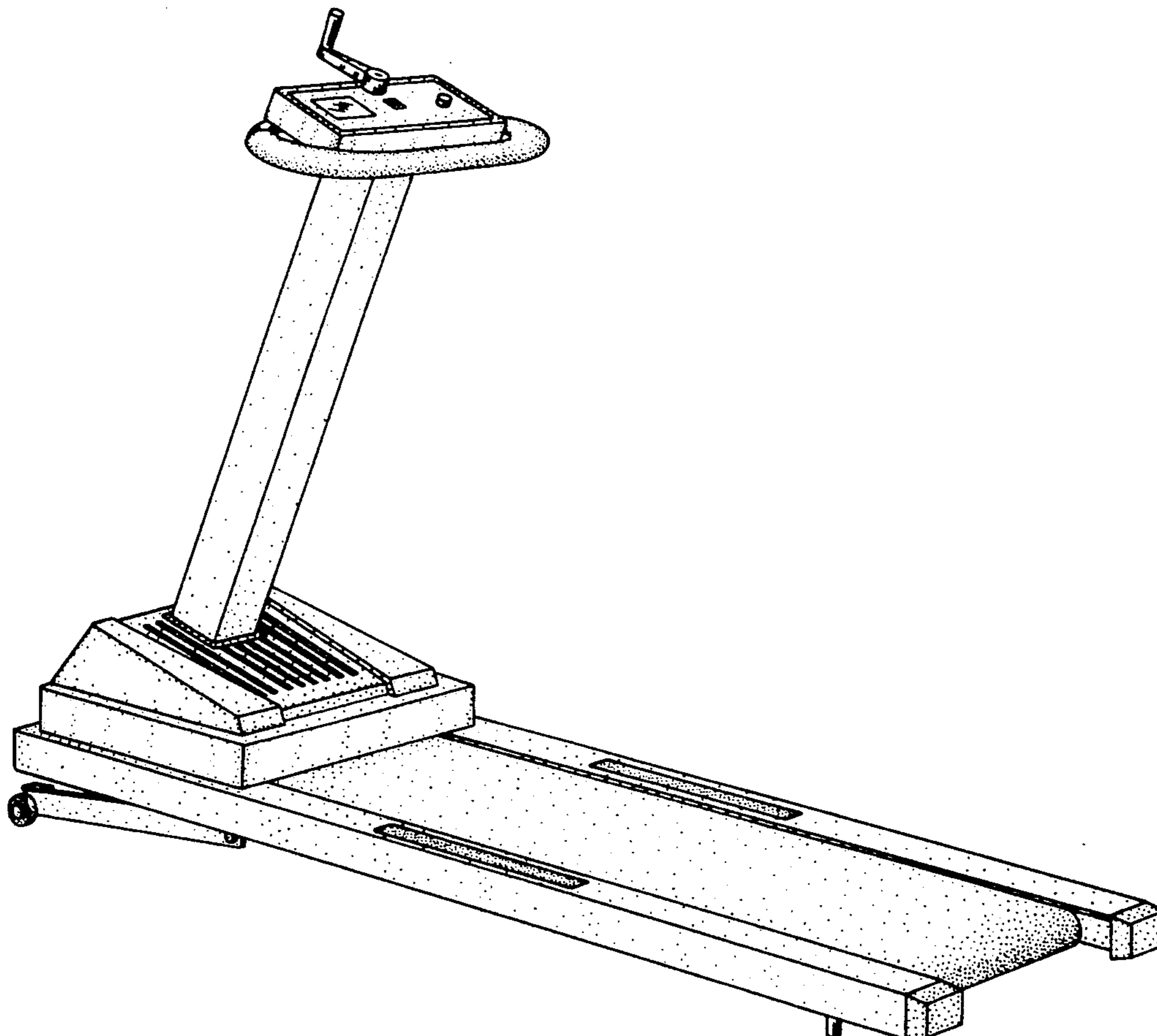
FIG. 3 is a left side elevational view thereof;

FIG. 4 is a top plan view thereof;

FIG. 5 is a bottom view thereof;

FIG. 6 is a front elevational view thereof; and,

FIG. 7 is a rear elevational view thereof.



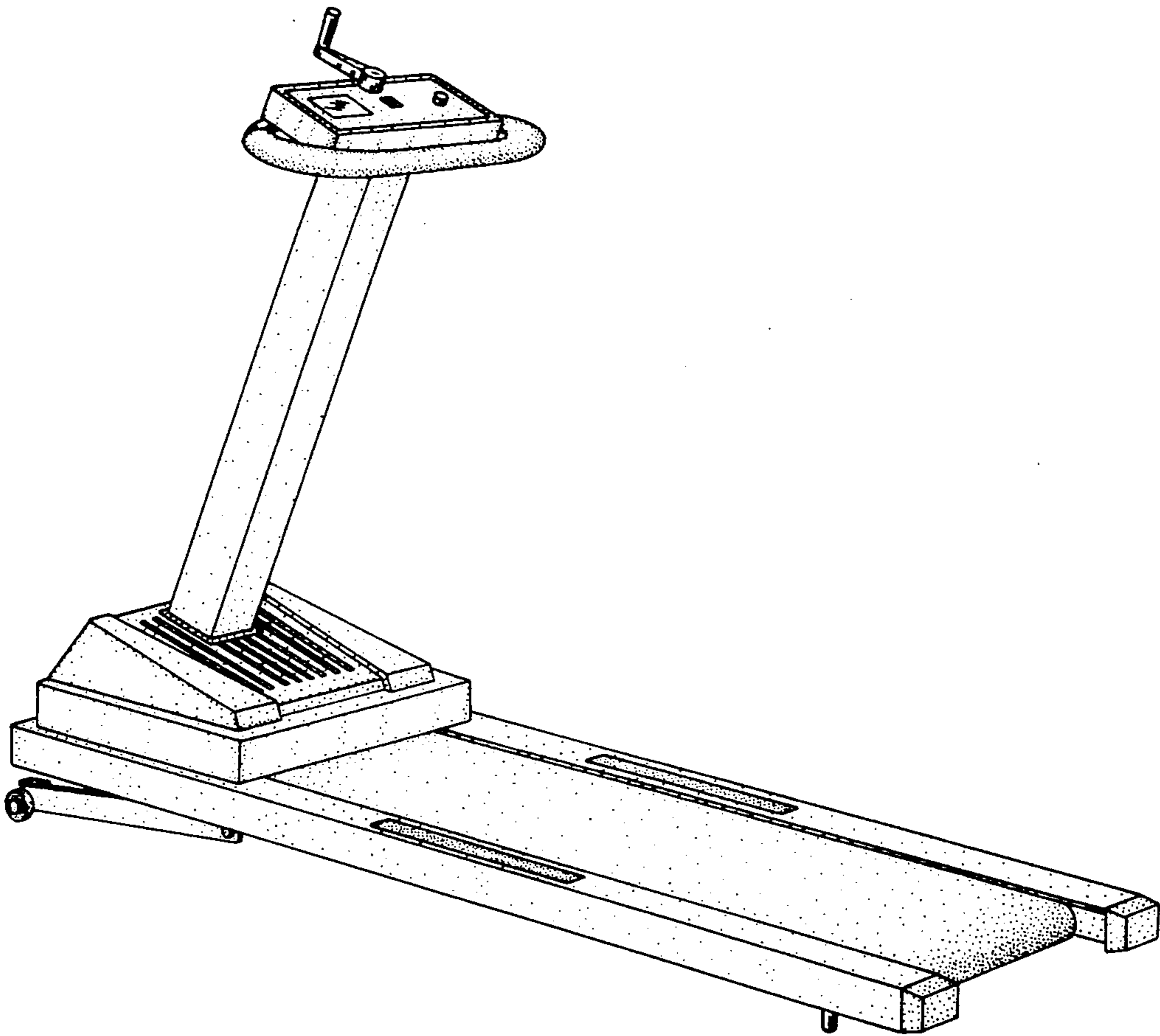


Fig. 1

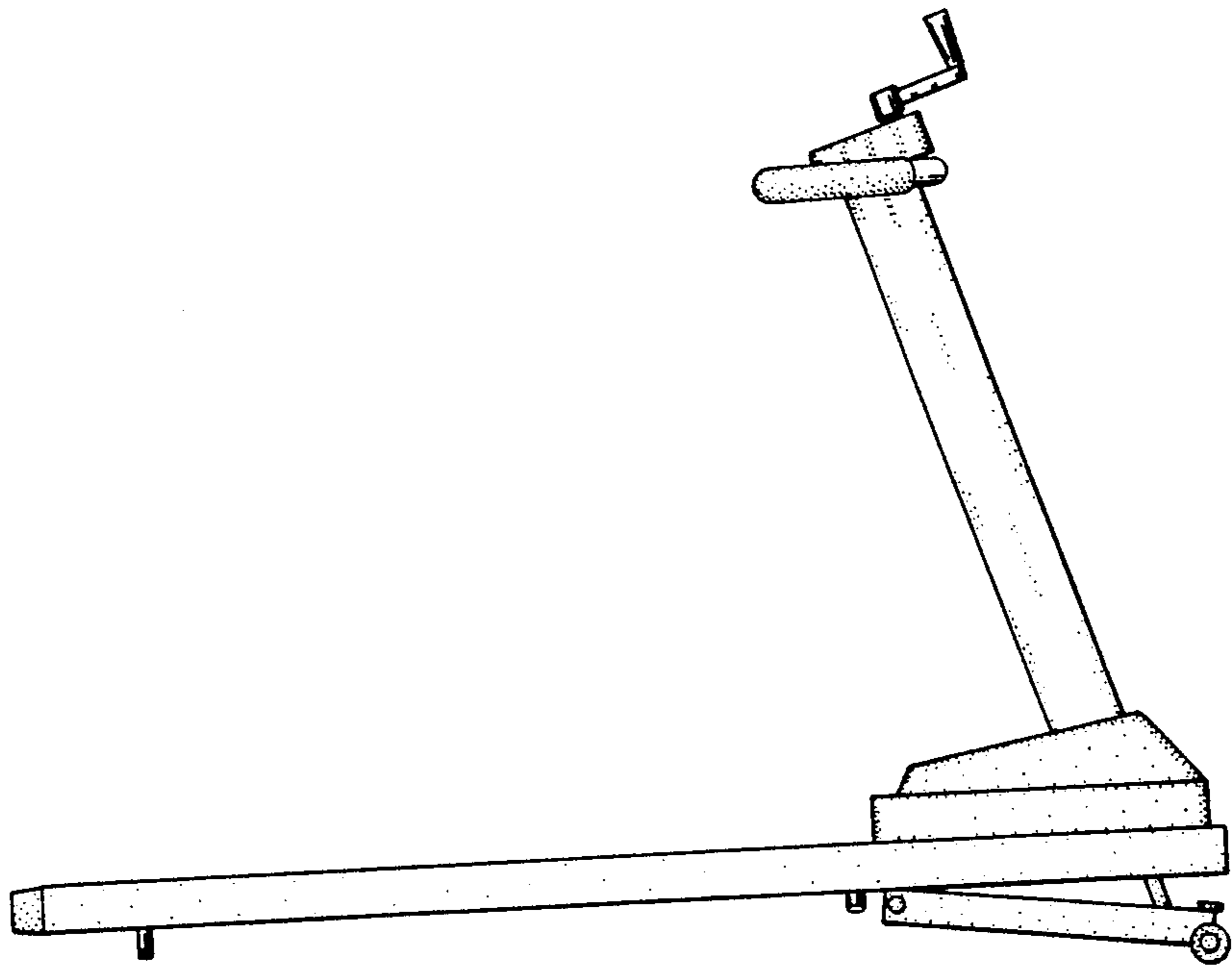


Fig. 2

Fig. 3

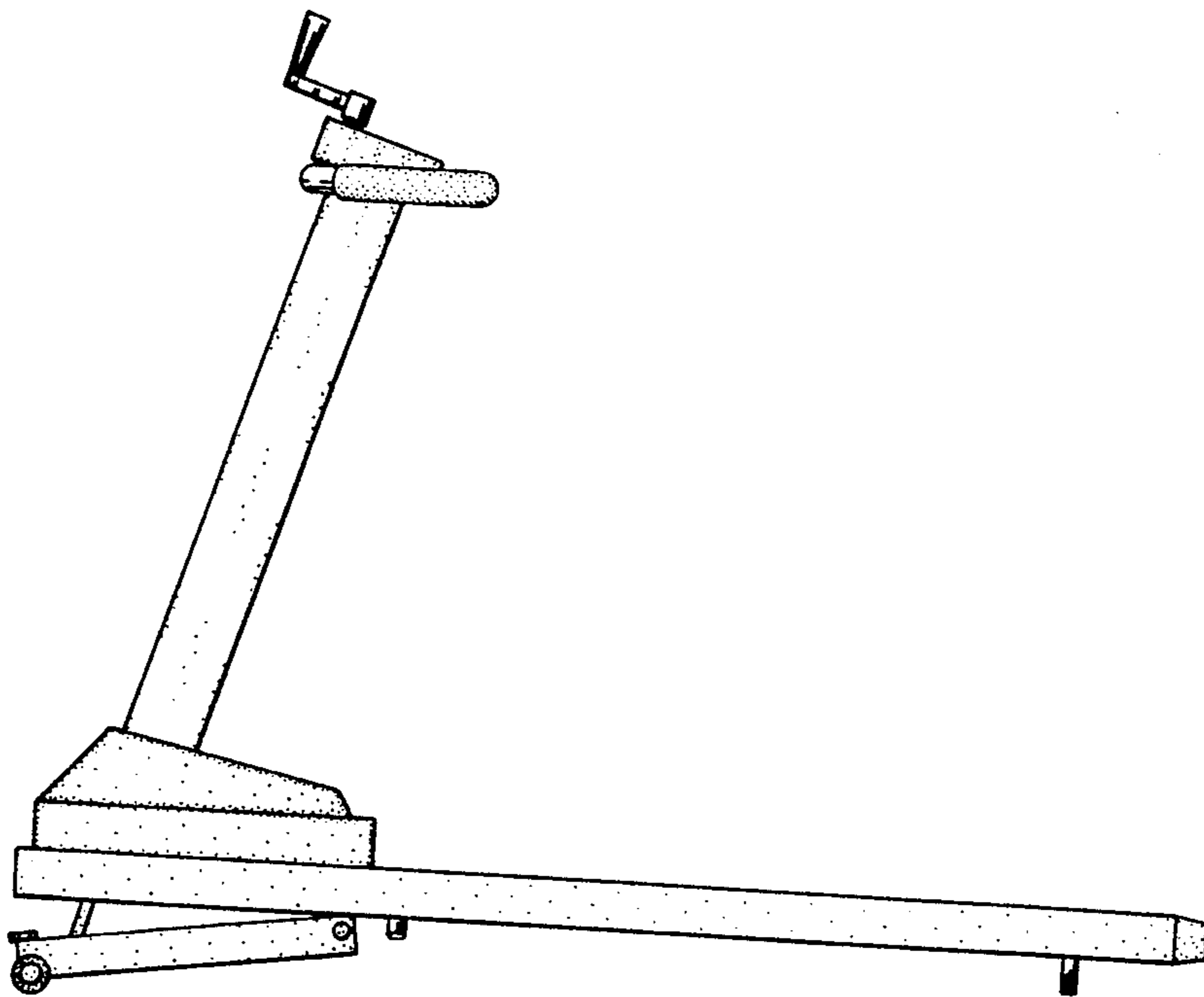


Fig. 4

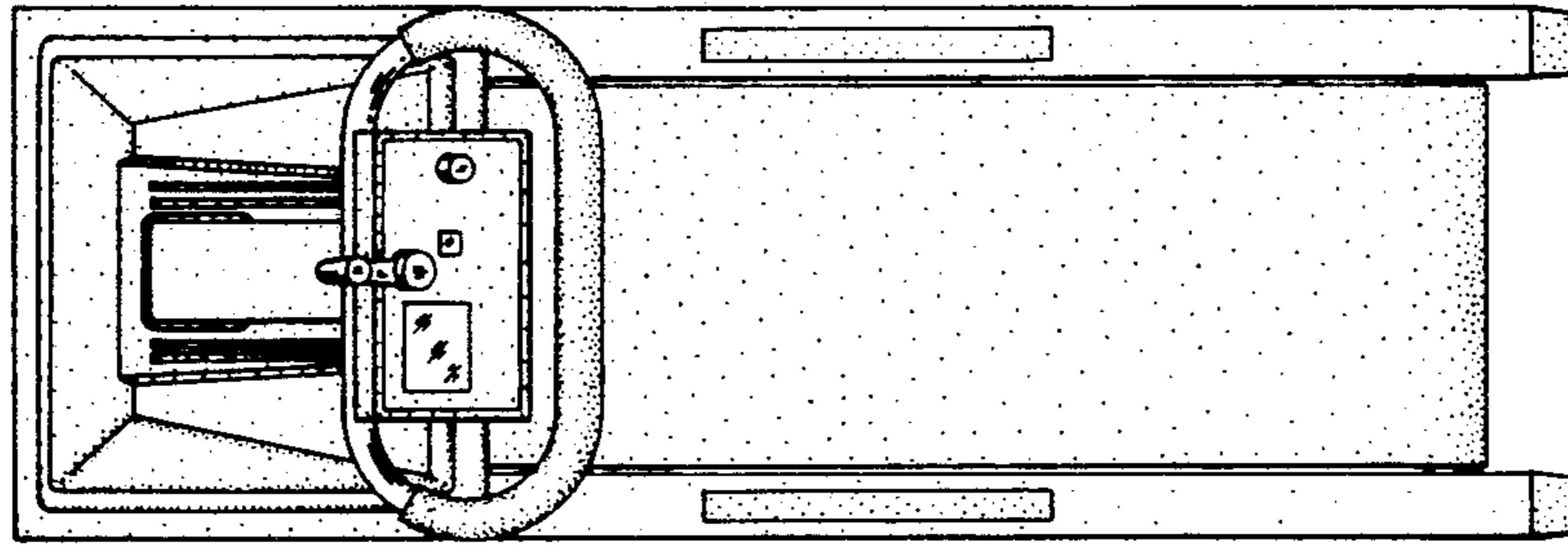


Fig. 5

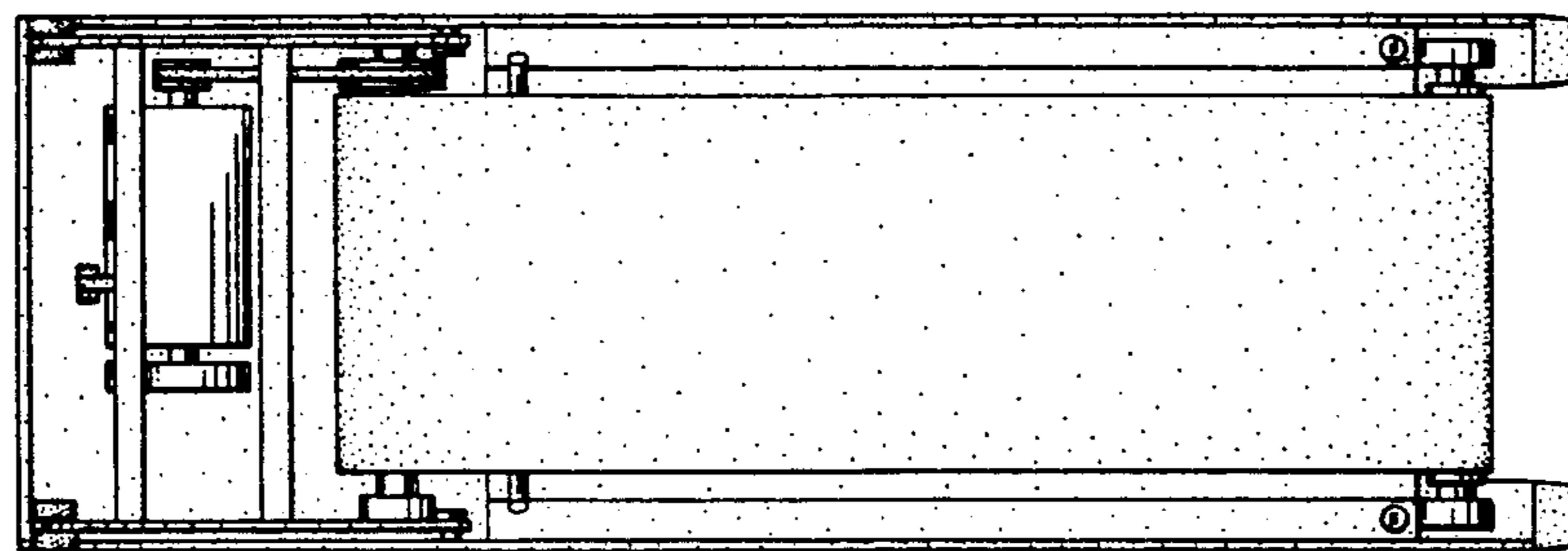


Fig. 6

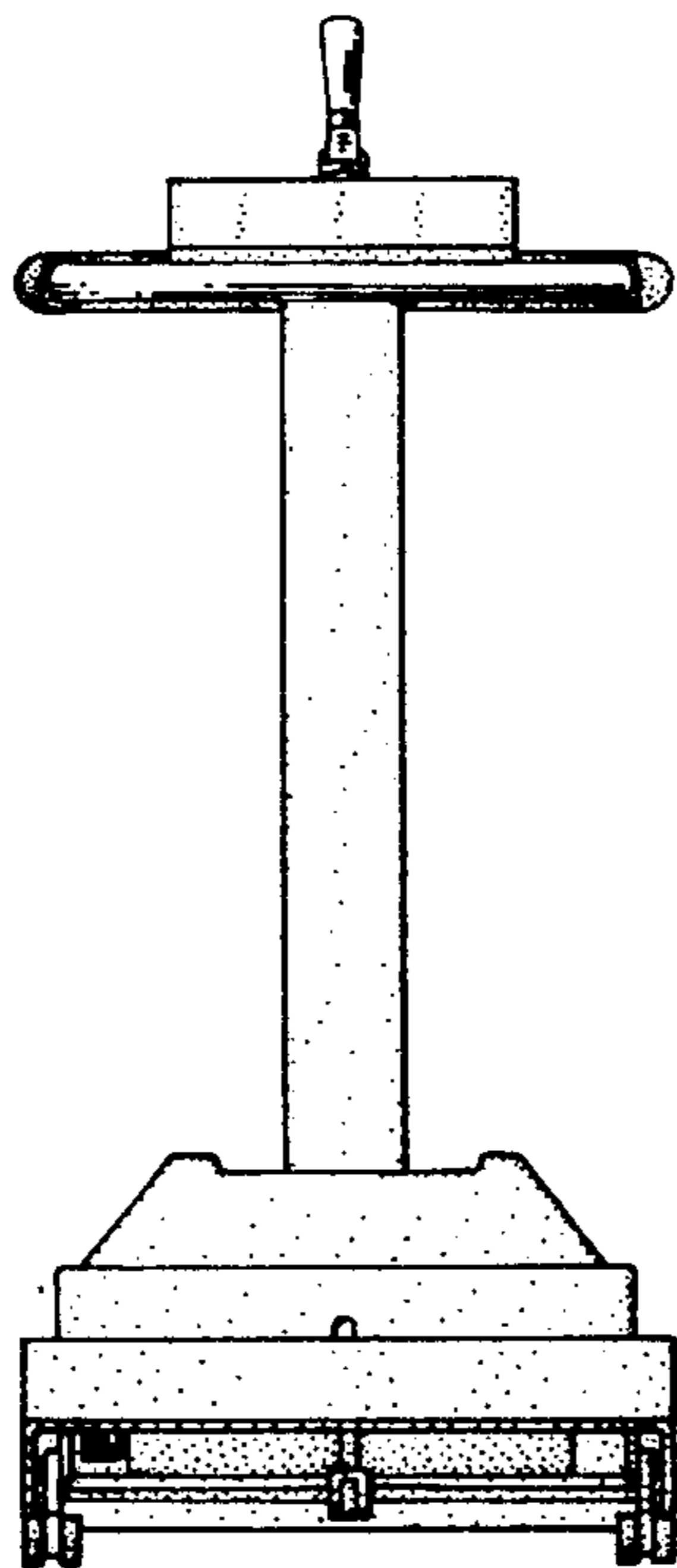


Fig. 7

