



US00D330391S

United States Patent [19] Cole

[11] Patent Number: **Des. 330,391**

[45] Date of Patent: **** Oct. 20, 1992**

[54] **COMBINED NEWSPAPER RACK AND SUPPORT**

[76] Inventor: **Lawrence Cole, 224 Ohio St., Vallejo, Calif. 94590**

[**] Term: **14 Years**

[21] Appl. No.: **611,368**

[22] Filed: **Nov. 9, 1990**

[52] U.S. Cl. **D20/6**

[58] Field of Search 194/350, 248, 233;
221/155, 281, 129, 131, 92; D20/6, 4; D6/436,
407, 470, 471, 396; D11/121, 157; D21/41

[56] **References Cited**

U.S. PATENT DOCUMENTS

- D. 287,030 12/1986 Chalabian D20/6
- D. 314,874 2/1991 Quartermaine D6/432
- D. 316,118 4/1991 Cole D20/6
- 782,430 2/1905 Tone 221/155 X

- 3,708,087 1/1973 Schonthal 221/155 X
- 4,661,865 9/1986 Daws D20/6 X
- 4,720,004 1/1988 Voegeli 194/233 X

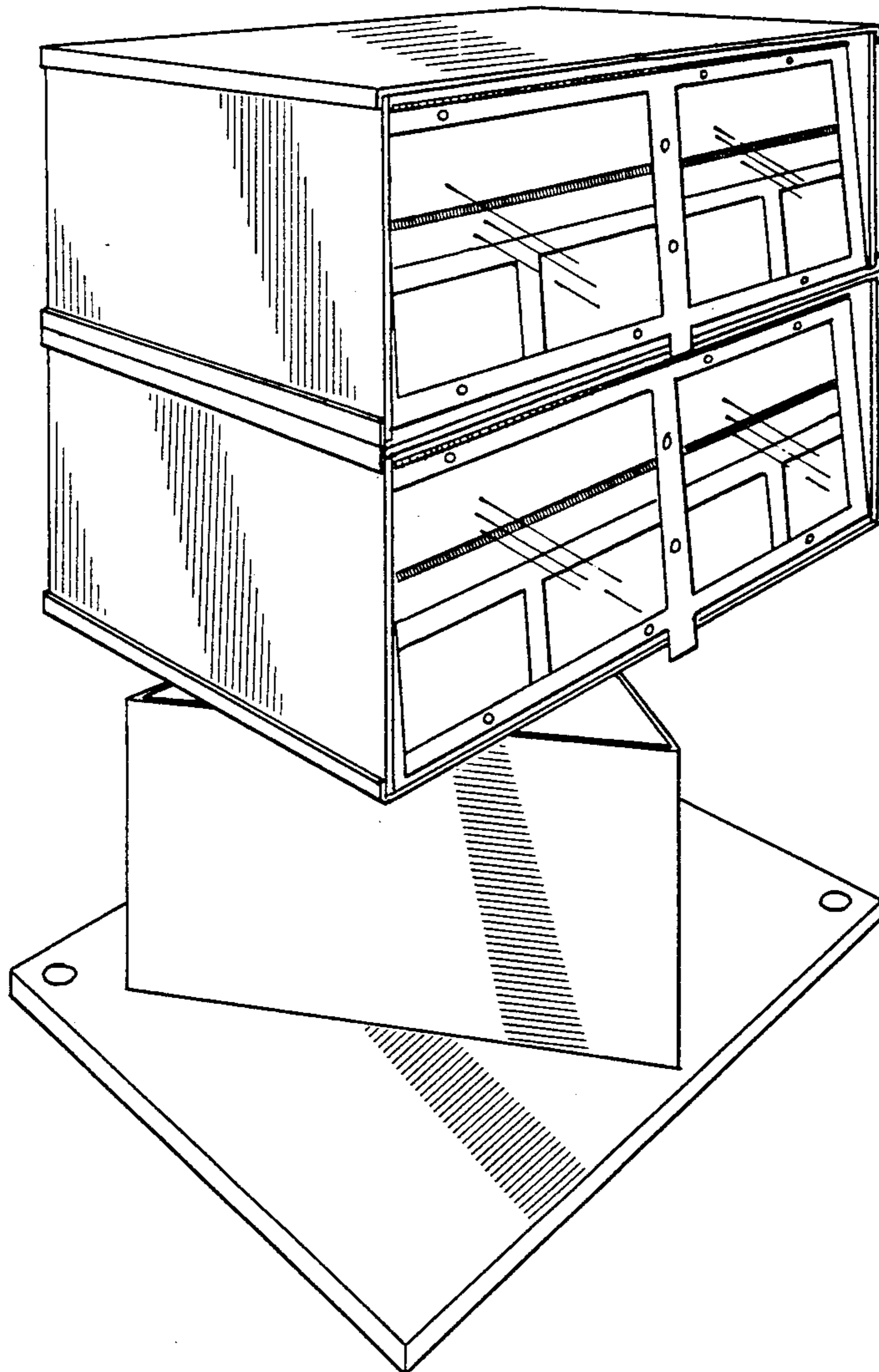
Primary Examiner—A. Hugo Word
Assistant Examiner—Paula A. Mortimer
Attorney, Agent, or Firm—Thomas R. Lampe

[57] **CLAIM**

The ornamental design for a combined newspaper rack and support, as shown and described.

DESCRIPTION

FIG. 1 is a front perspective view of a combined newspaper rack and support showing my new design; FIG. 2 is a front elevational view thereof; FIG. 3 is a side elevational view the opposite side is a mirror image thereof; FIG. 4 is a rear elevational view thereof; FIG. 5 is a top plan view thereof; and, FIG. 6 is a bottom plan view thereof.



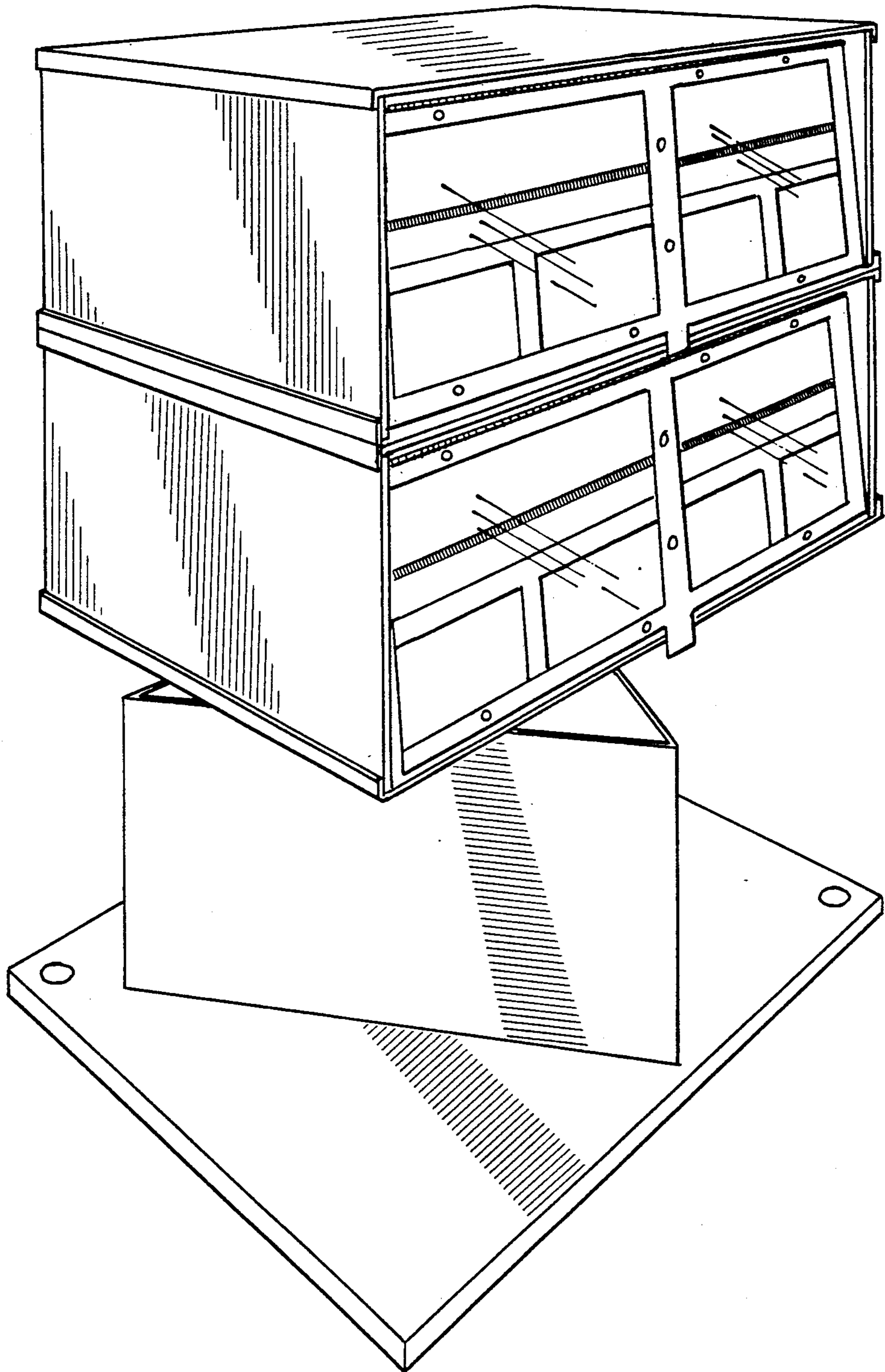


FIGURE 1

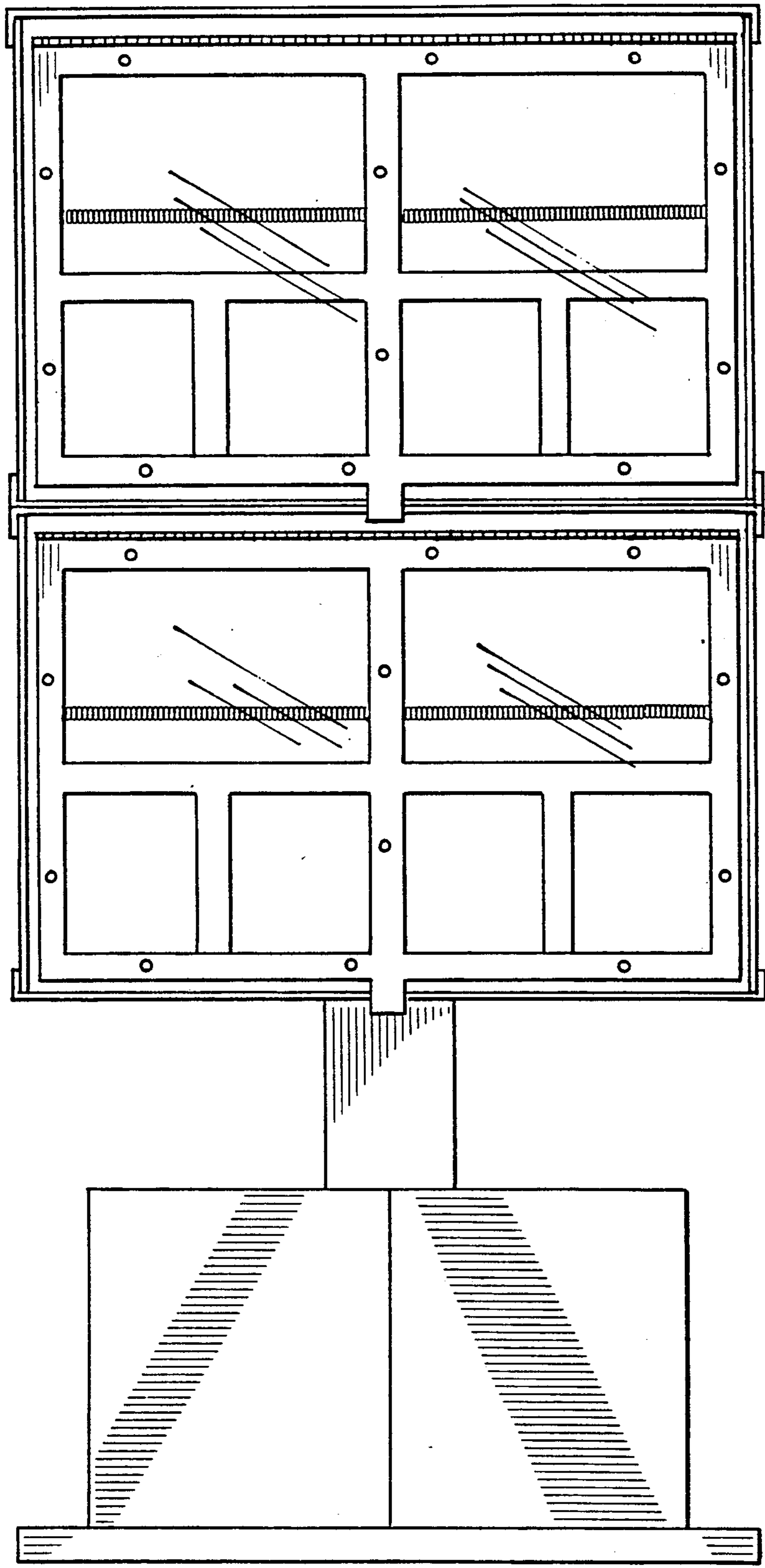


FIGURE 2

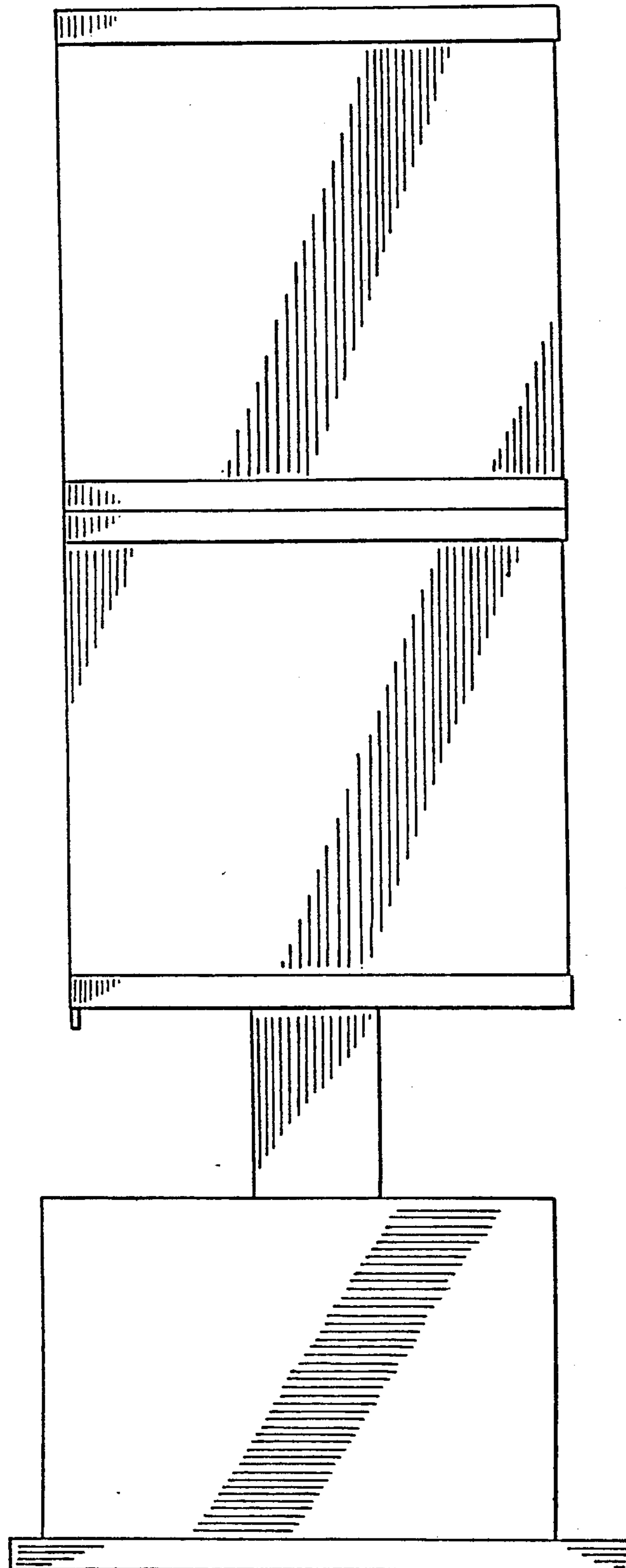


FIGURE 3

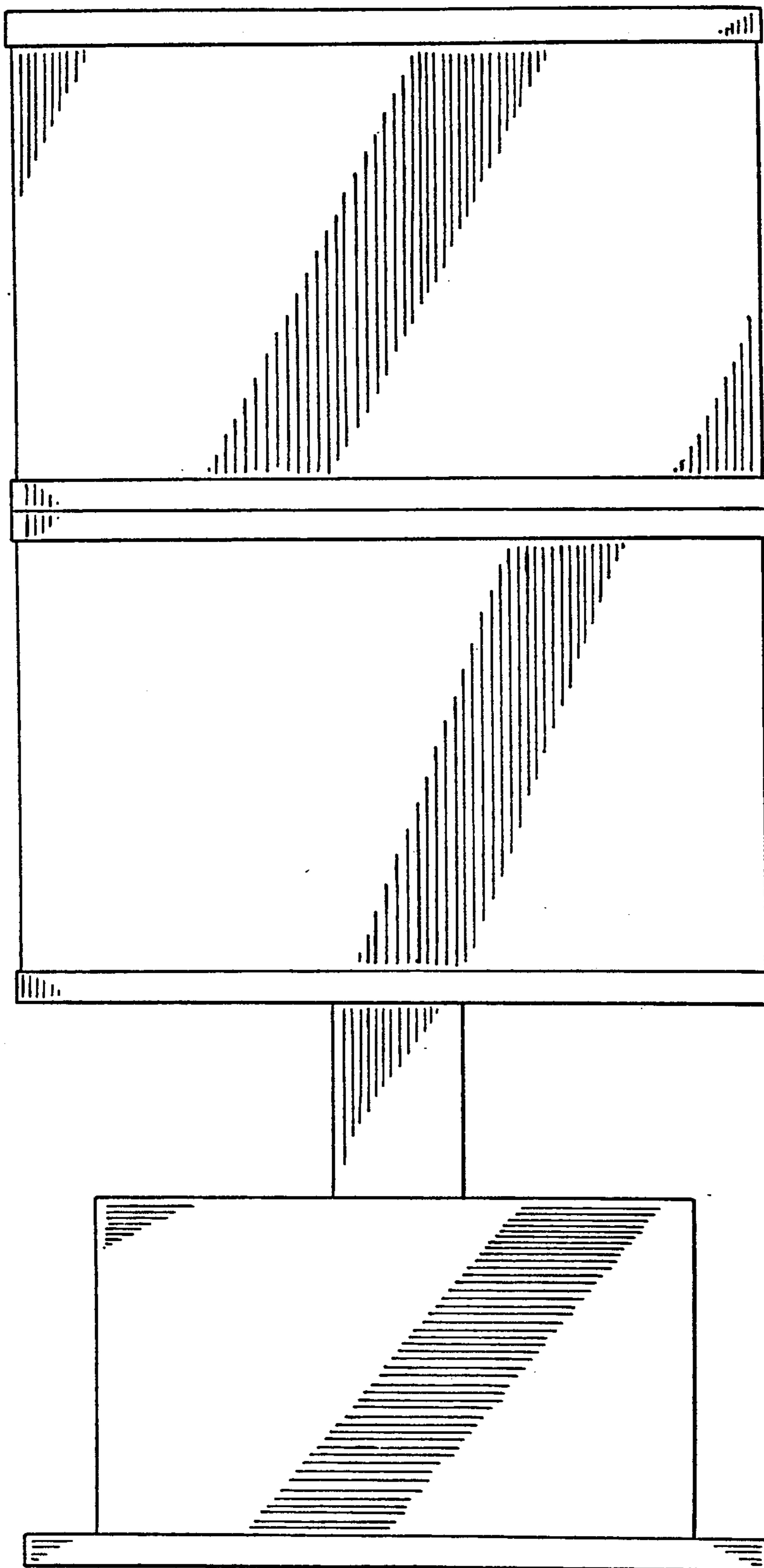


FIGURE 4

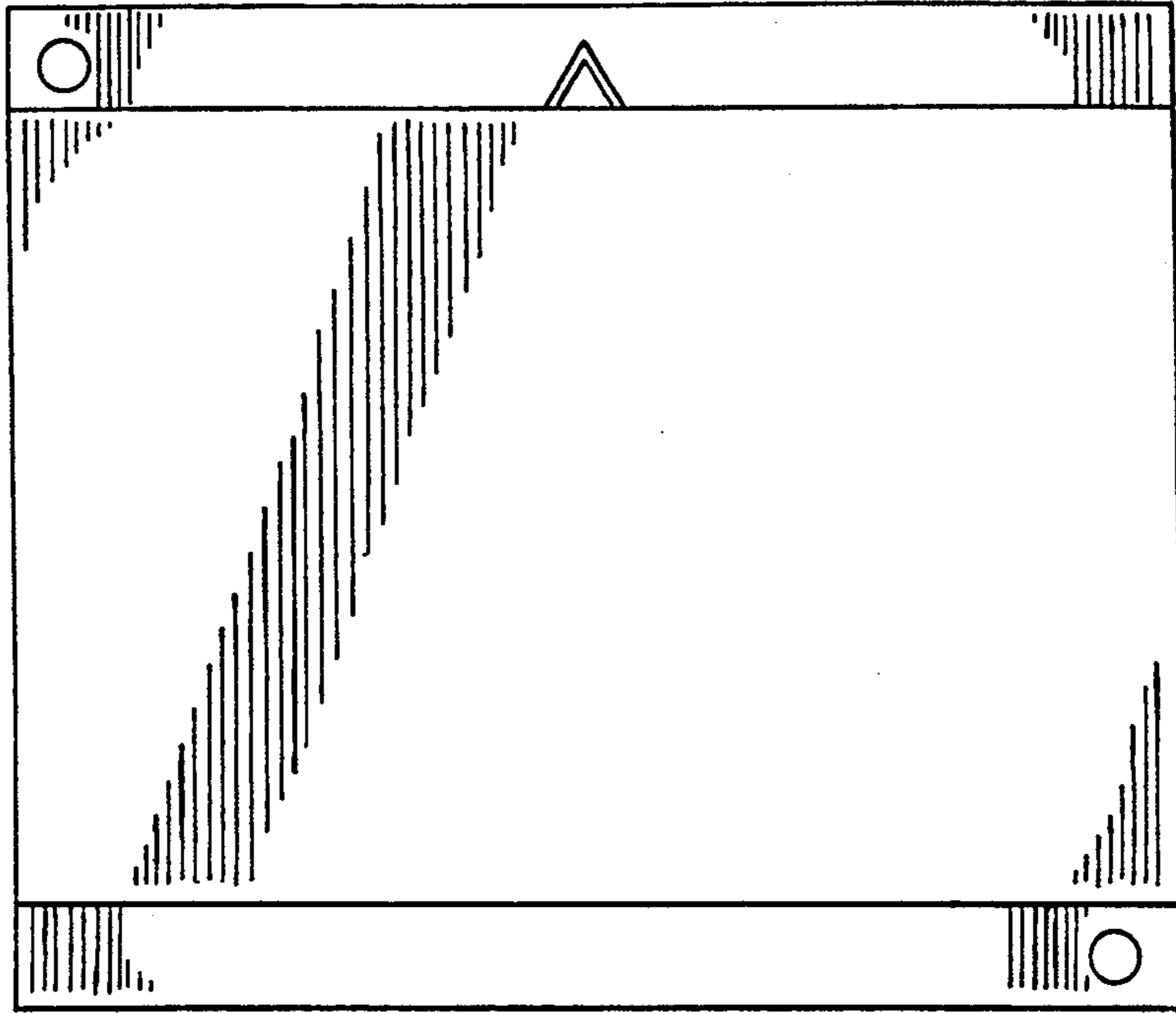


FIGURE 5

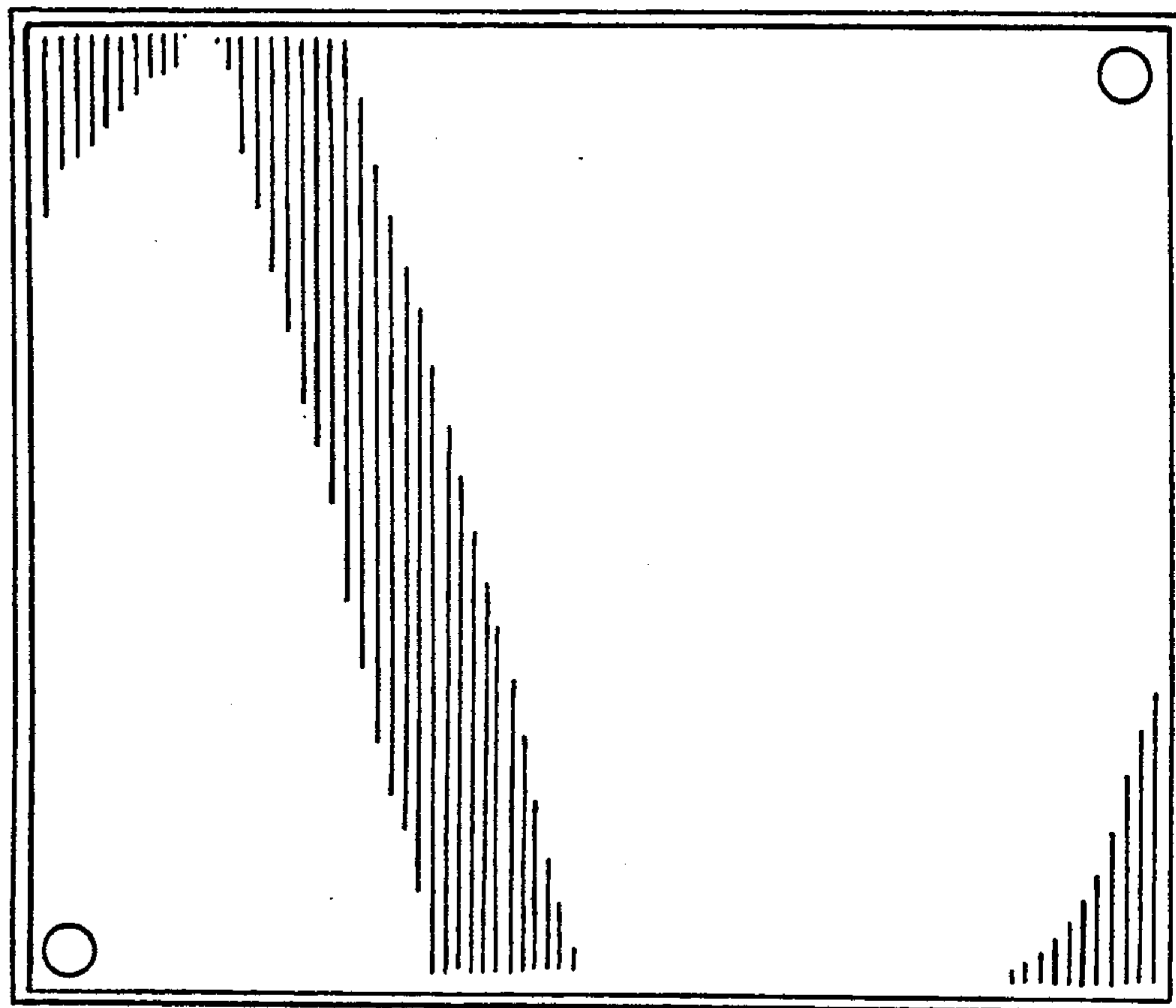


FIGURE 6