



US00D330387S

United States Patent [19]

[11] Patent Number: **Des. 330,387**

Kawakami

[45] Date of Patent: **** Oct. 20, 1992**

[54] **INK CARTRIDGE FOR PRINTER**

4,855,762 8/1989 Suzuki 346/140 R
5,051,759 9/1991 Karita 346/140 R

[75] Inventor: **Kazuhisa Kawakami, Nagano, Japan**

OTHER PUBLICATIONS

[73] Assignee: **Seiko Epson Corporation, Tokyo, Japan**

Epson SQ-850/2550 Advertising Brochure; Feb. 12 1989.

[**] Term: **14 Years**

Epson SQ-850 SQ-2550 24 Nozzle Ink Jet Printer User's Guide; Nov. 1989.

[21] Appl. No.: **517,902**

Primary Examiner—A. Hugo Word
Assistant Examiner—Cathy Anne MacCormac
Attorney, Agent, or Firm—Blum Kaplan

[22] Filed: **May 1, 1990**

[30] **Foreign Application Priority Data**

[57] **CLAIM**

Nov. 1, 1989 [JP] Japan 1-40021

The ornamental design for an ink cartridge for printer, as shown and described.

[52] U.S. Cl. **D18/56**

[58] Field of Search 346/140 R, 140 PD;
400/471, 124, 175; 101/348, 333, 334, 97, 98,
101; D18/40, 18, 56-58

DESCRIPTION

[56] **References Cited**

U.S. PATENT DOCUMENTS

D. 313,812 1/1991 Yomo D18/56
D. 314,006 1/1991 Abe et al. D18/56
D. 321,900 11/1991 Kumagai D18/56
4,156,244 5/1979 Erikson et al. 346/140 R

FIG. 1 is a perspective view of an ink cartridge for printer showing my new design;
FIG. 2 is a top plan view thereof;
FIG. 3 is a front elevational view thereof;
FIG. 4 is a left side view thereof;
FIG. 5 is a right side view thereof;
FIG. 6 is a bottom plan view thereof; and,
FIG. 7 is a rear elevational view thereof.

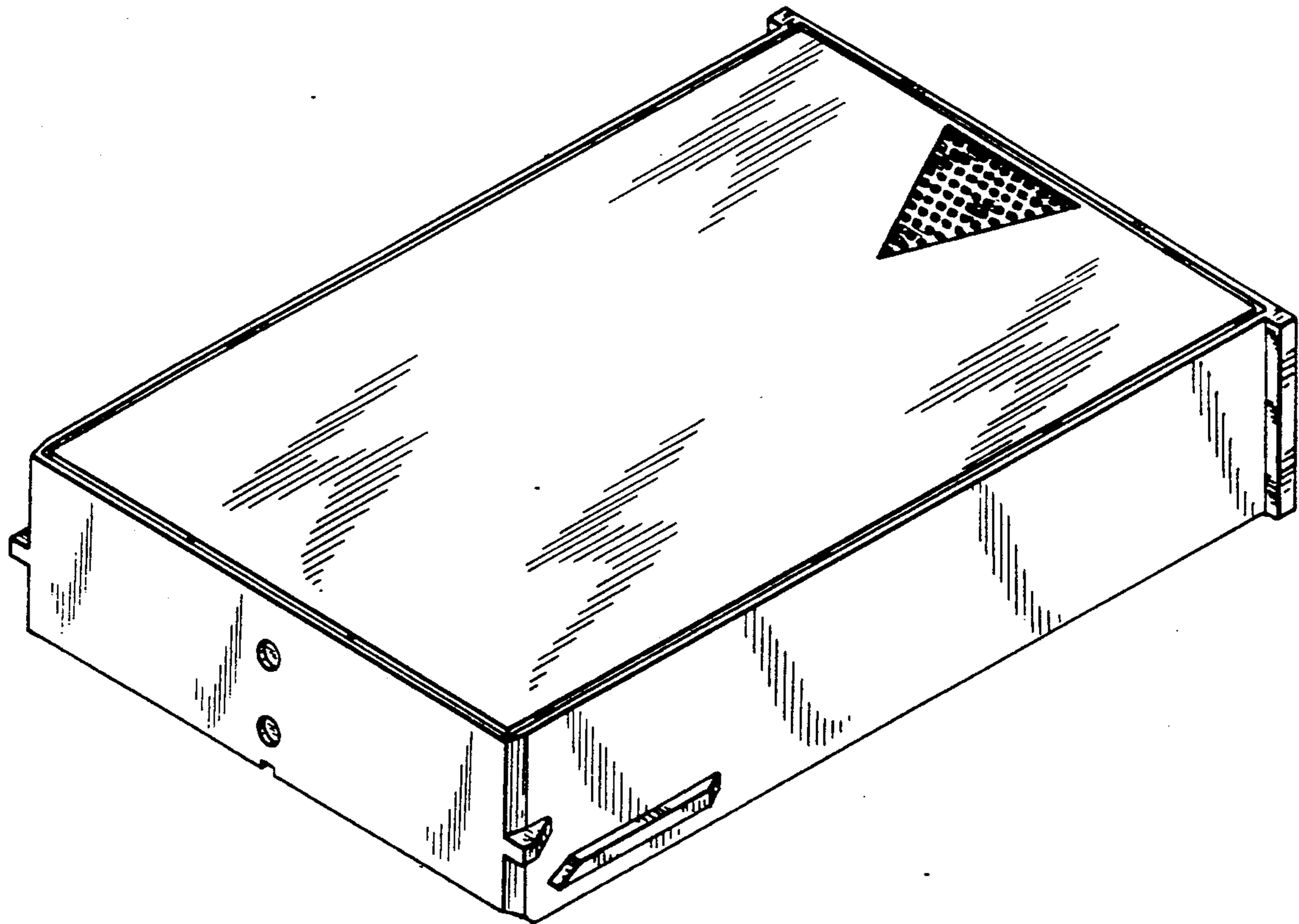


FIG. 1

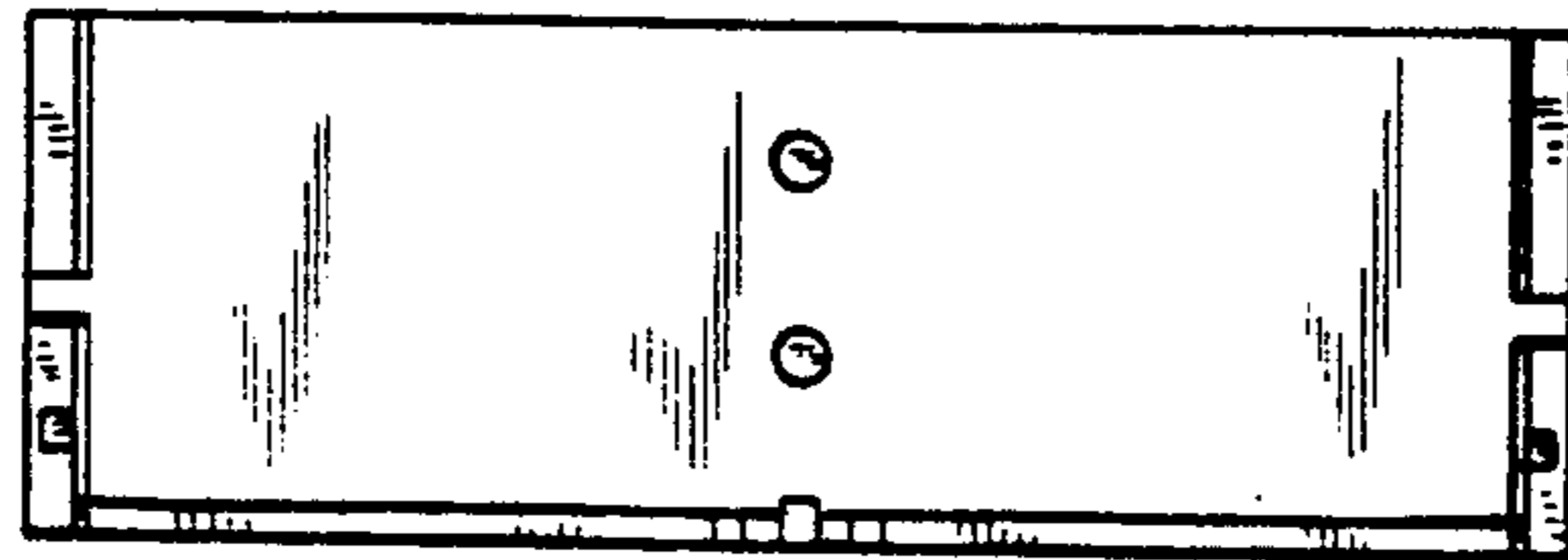
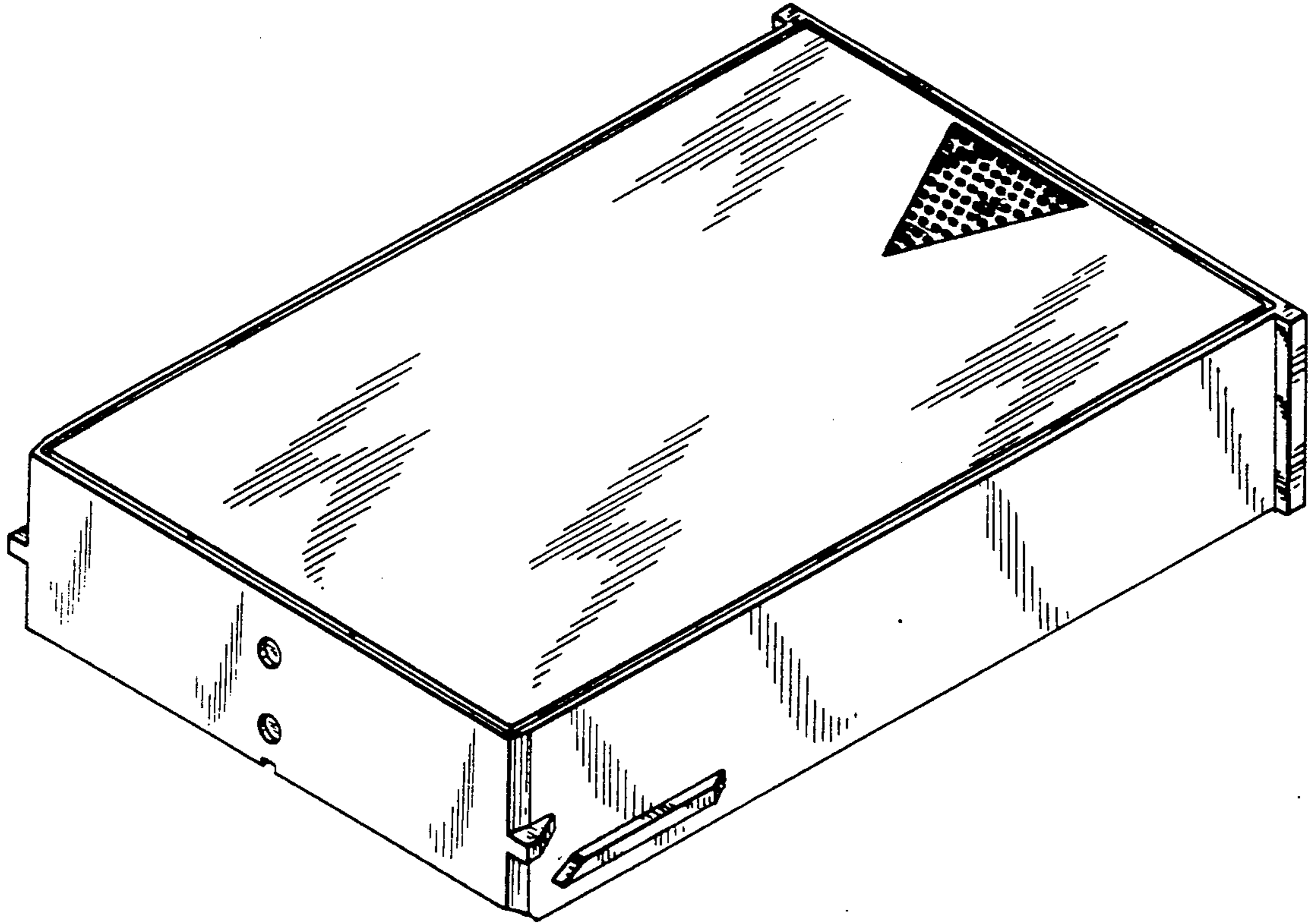


FIG. 3

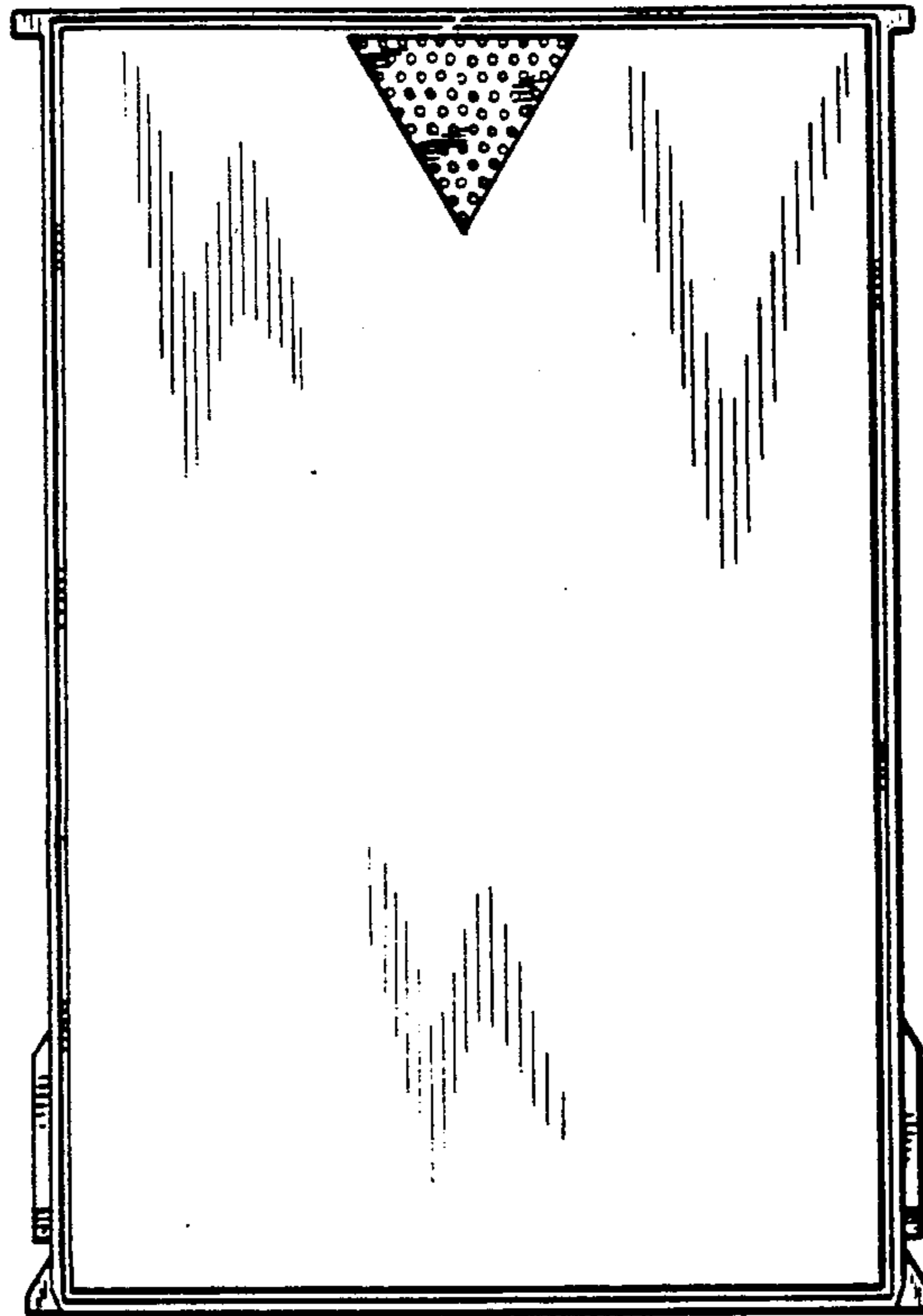


FIG. 2

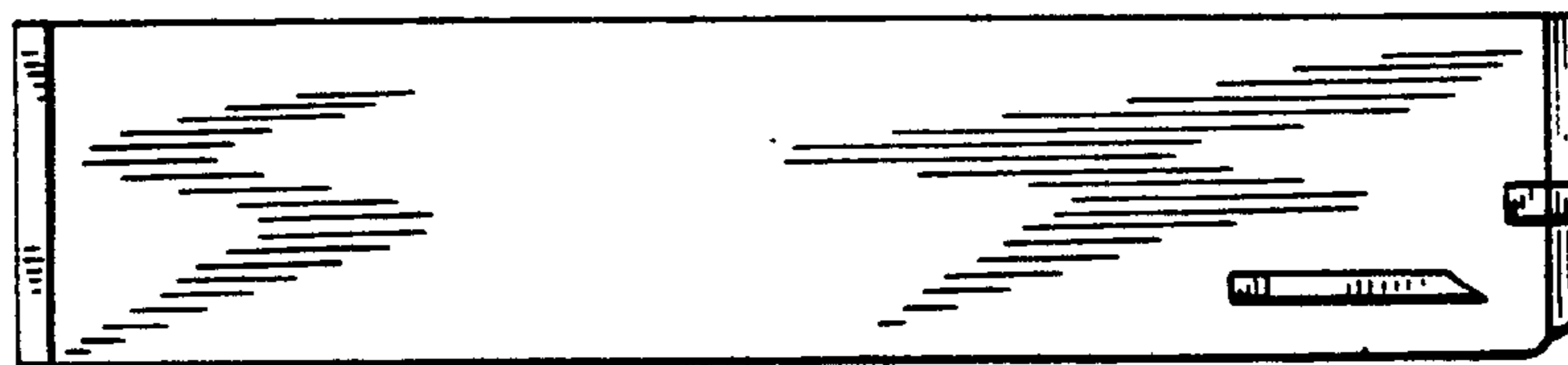


FIG. 4

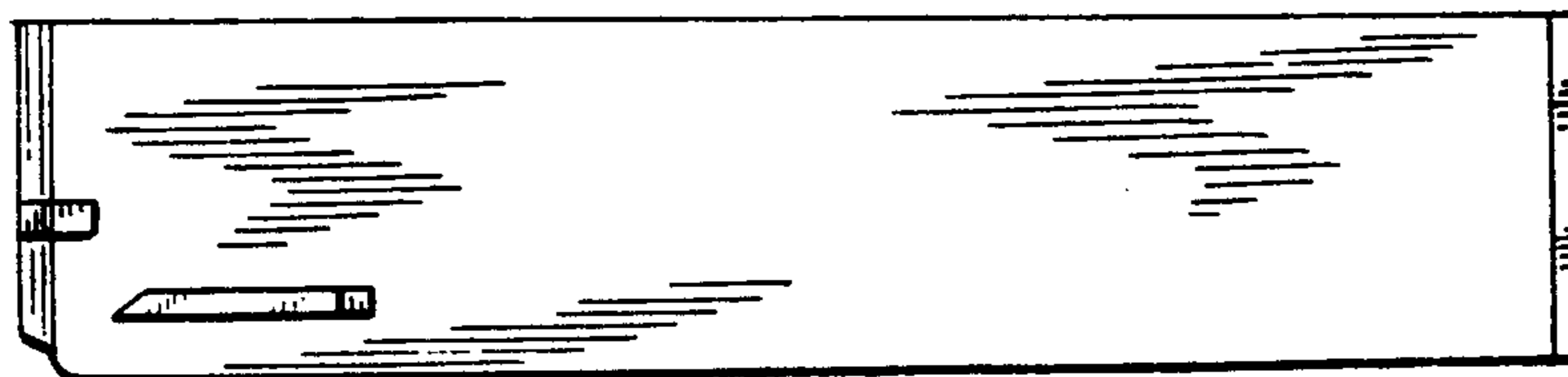


FIG. 5

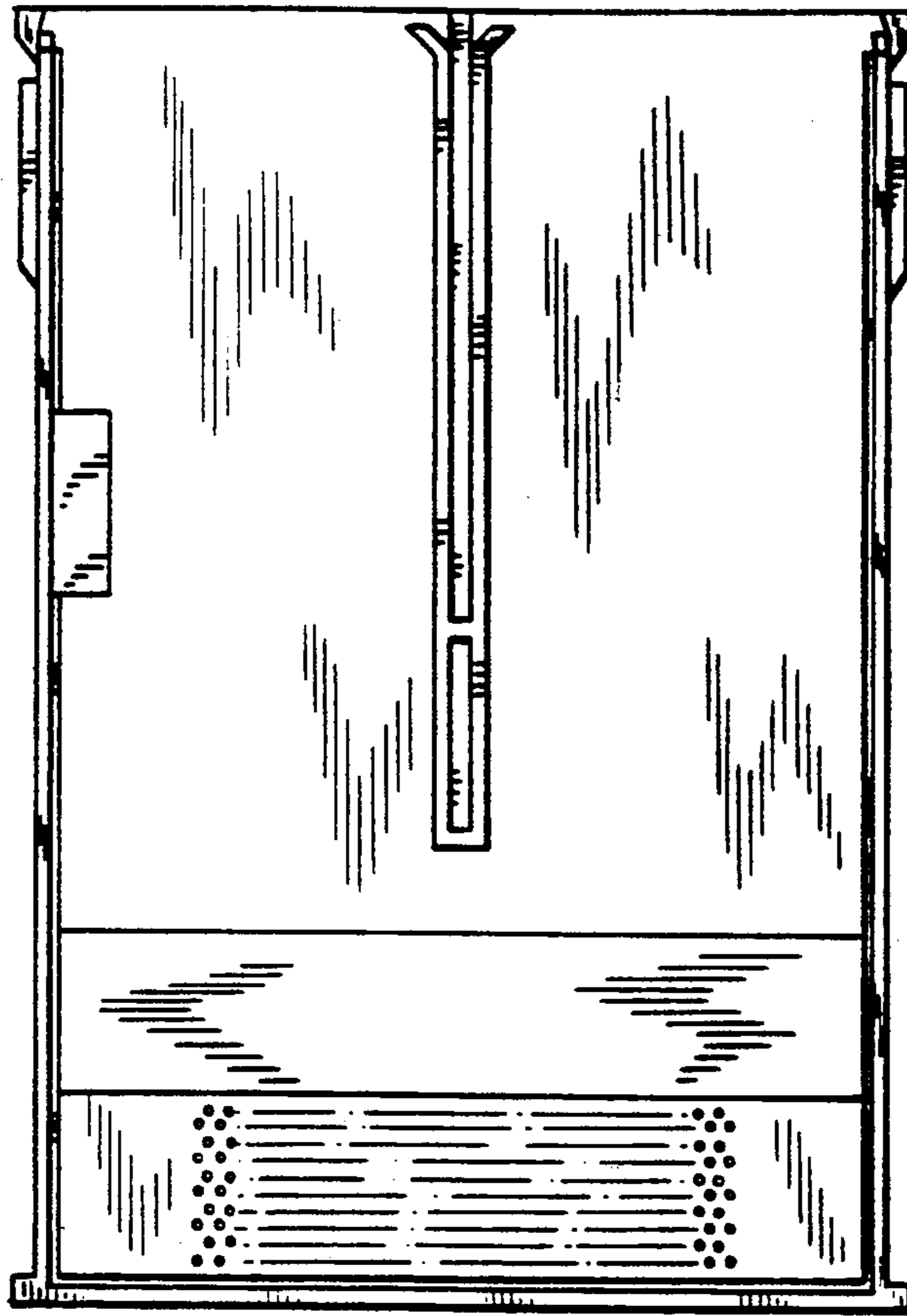


FIG. 6

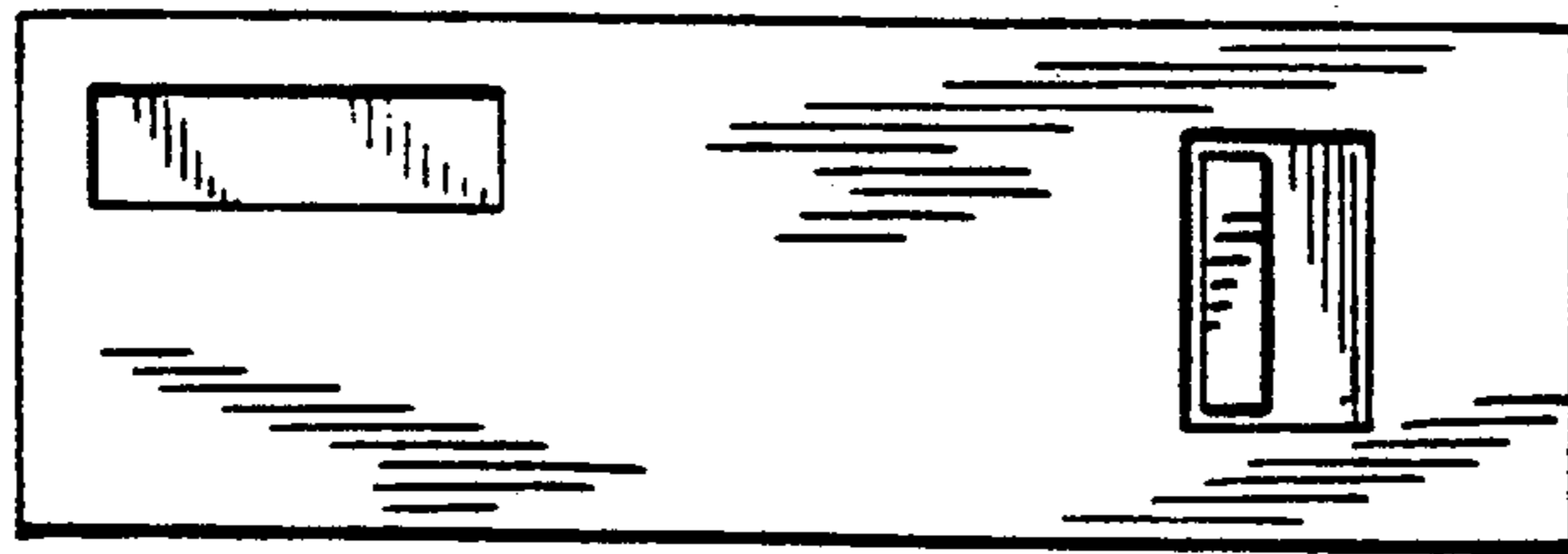


FIG. 7