



US00D330386S

United States Patent [19]

[11] Patent Number: **Des. 330,386**

Doeberl et al.

[45] Date of Patent: **** Oct. 20, 1992**

[54] **MODULAR MAIL PROCESSING MACHINE**

3,022,907	2/1962	Palasciano	D18/99 X
4,891,088	1/1990	Svyatsky	209/900 X
4,921,107	5/1990	Hofer	209/900 X

[75] Inventors: **Terrence M. Doeberl**, West Redding;
Ian R. Jenkins, Westport, both of Conn.

Primary Examiner—Susan J. Lucas
Assistant Examiner—H. Baynham
Attorney, Agent, or Firm—Charles G. Parks, Jr.; Melvin J. Scolnick

[73] Assignee: **Pitney Bowes Inc.**, Stamford, Conn.

[**] Term: **14 Years**

[21] Appl. No.: **589,231**

[57] **CLAIM**

[22] Filed: **Sep. 26, 1990**

The ornamental design for a modular mail processing machine, as shown and described.

[52] U.S. Cl. **D18/51**

[58] Field of Search **D18/99, 51; D14/110; D15/147; 209/584, 900, 546; D34/28; D8/51-52, 46-47, 49**

DESCRIPTION

[56] **References Cited**

U.S. PATENT DOCUMENTS

D. 243,712	3/1977	Morris et al.	D18/51
D. 257,153	9/1980	Woods et al.	D18/51
D. 309,472	7/1990	Nishida	D34/29 X

FIG. 1 is a top, front and right side perspective view of a modular mail processing machine showing our new design;

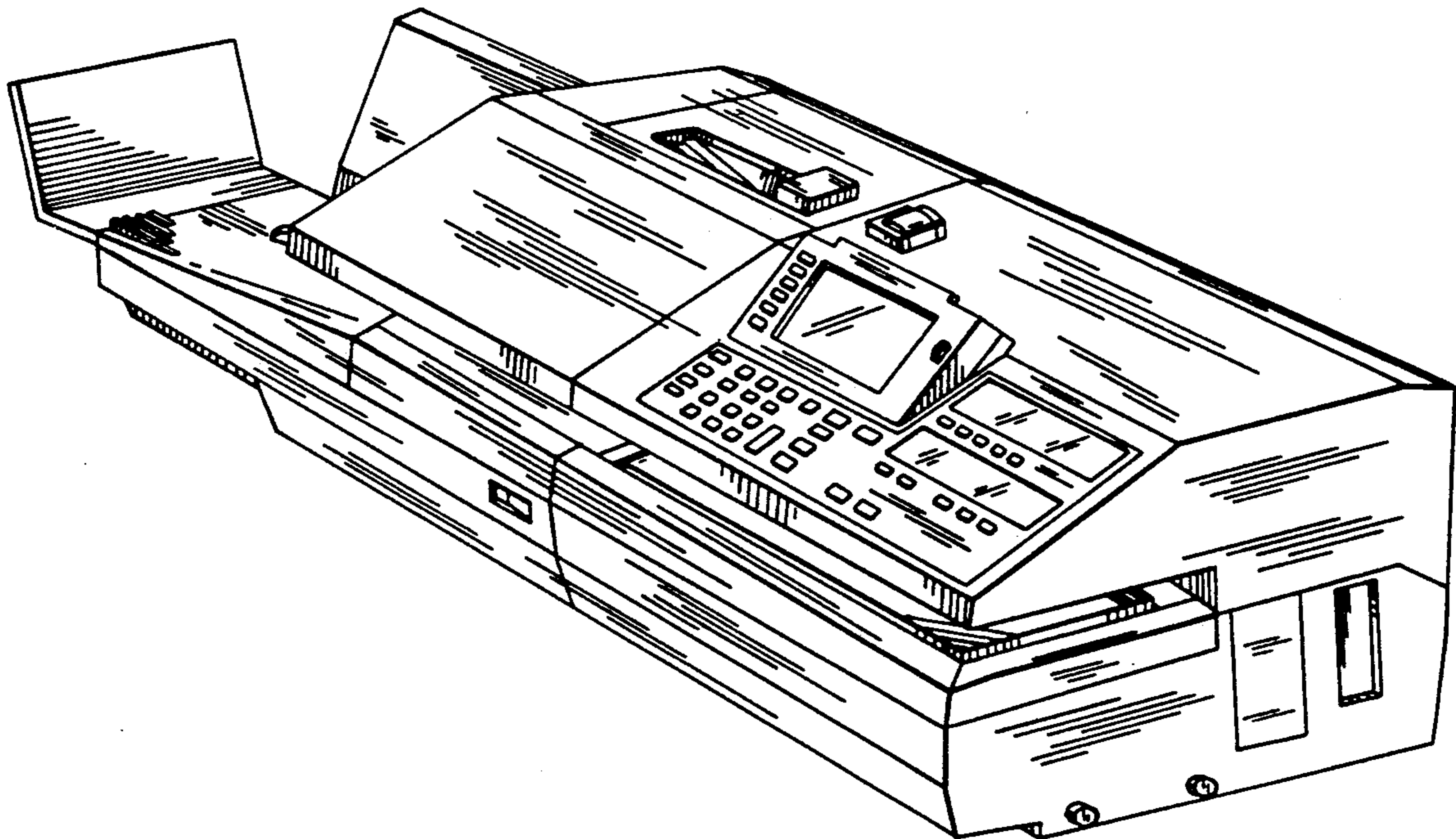
FIG. 2 is a front elevational view thereof;

FIG. 3 is a top plan view thereof;

FIG. 4 is a right side elevational view thereof;

FIG. 5 is a left side elevational view thereof; and,

FIG. 6 is a rear side elevational view thereof.



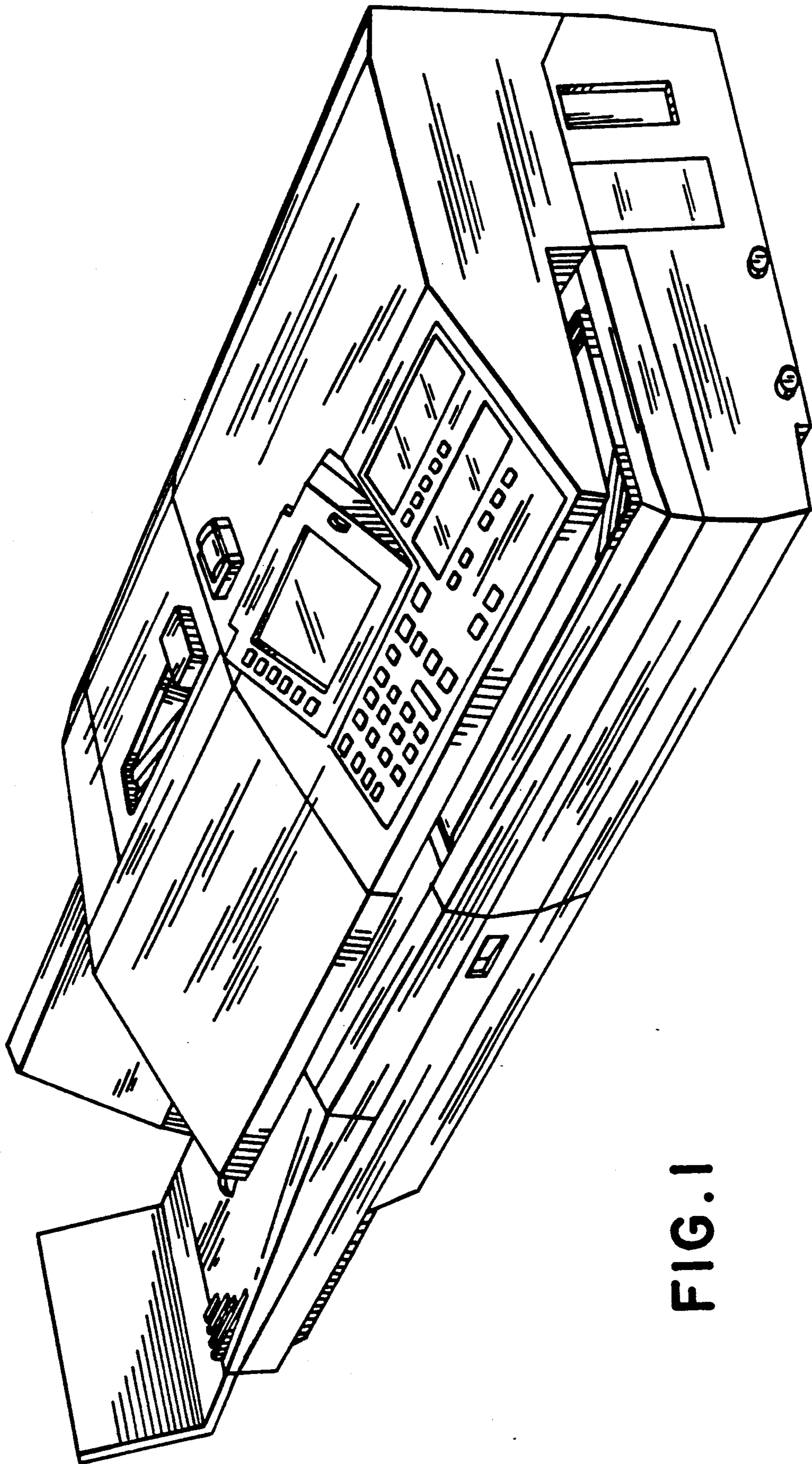


FIG. 1

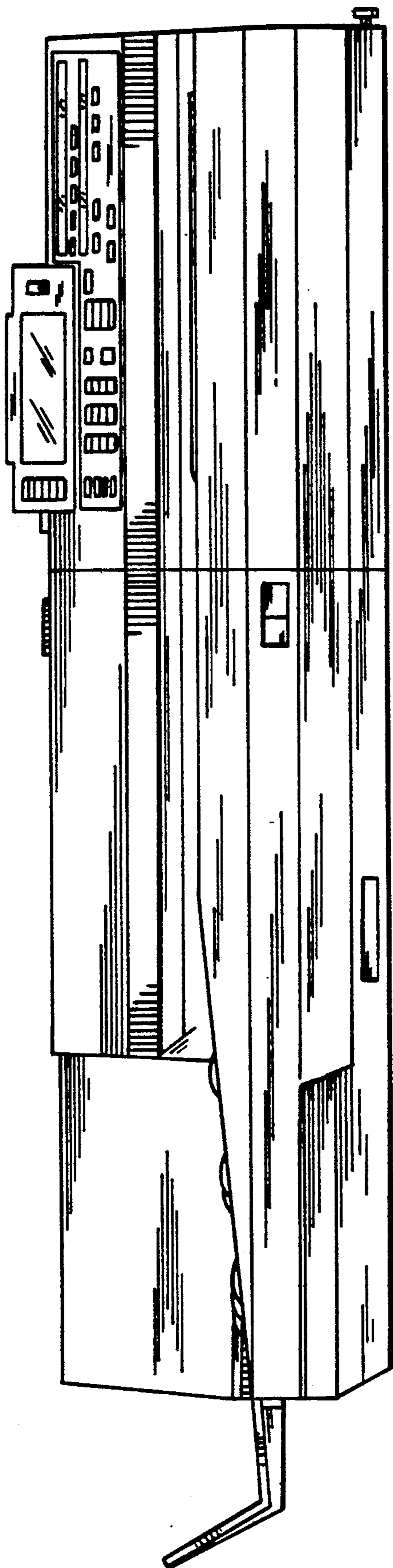


FIG. 2

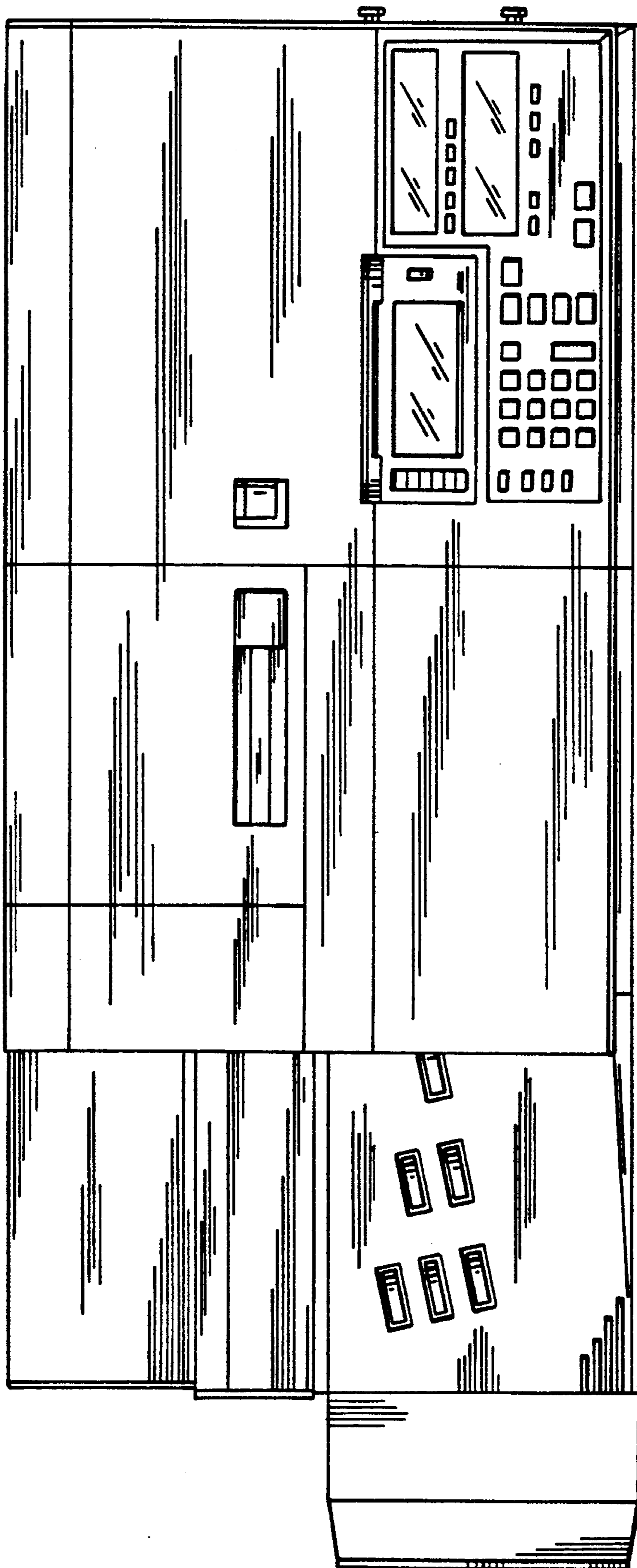


FIG. 3

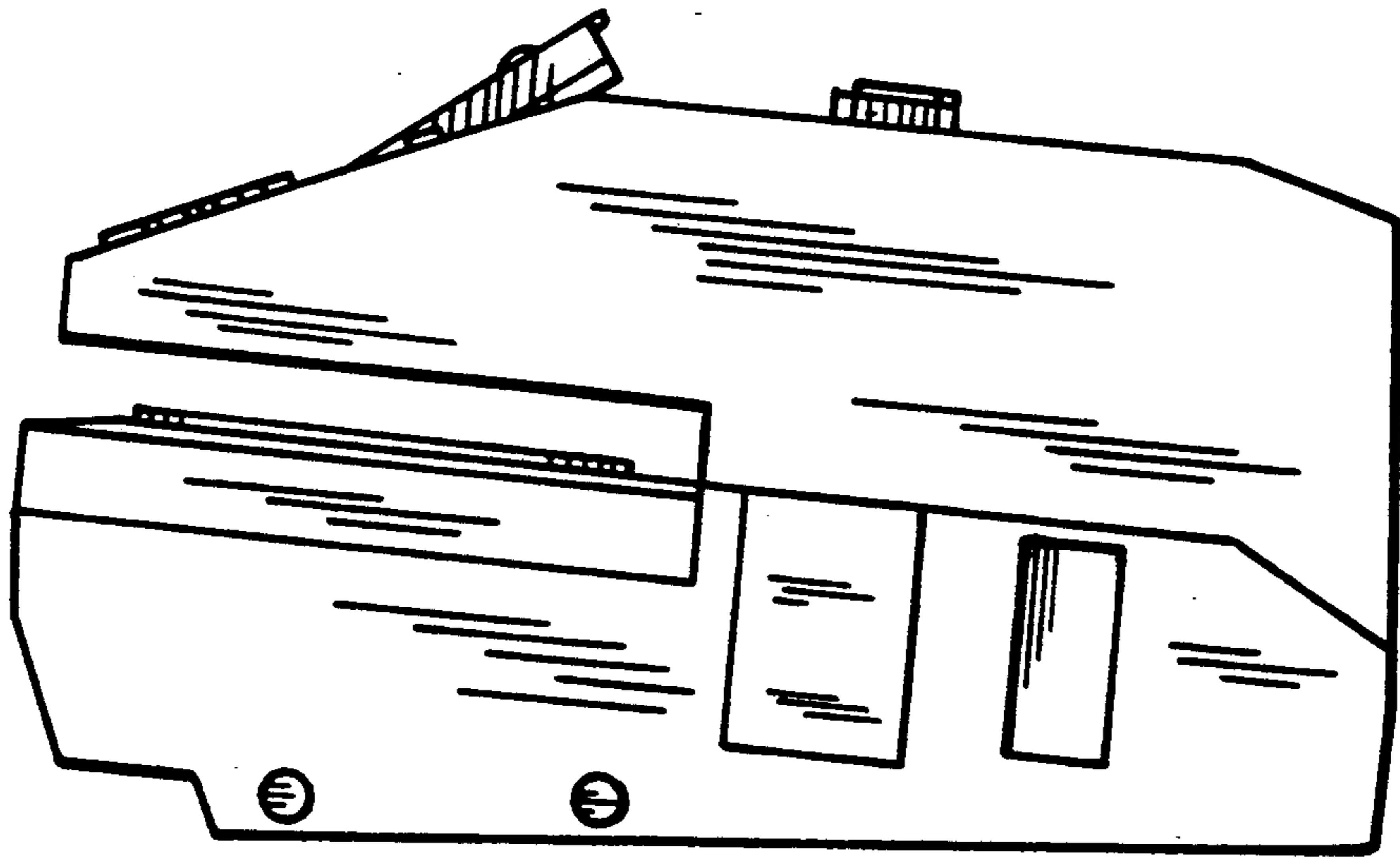


FIG. 4

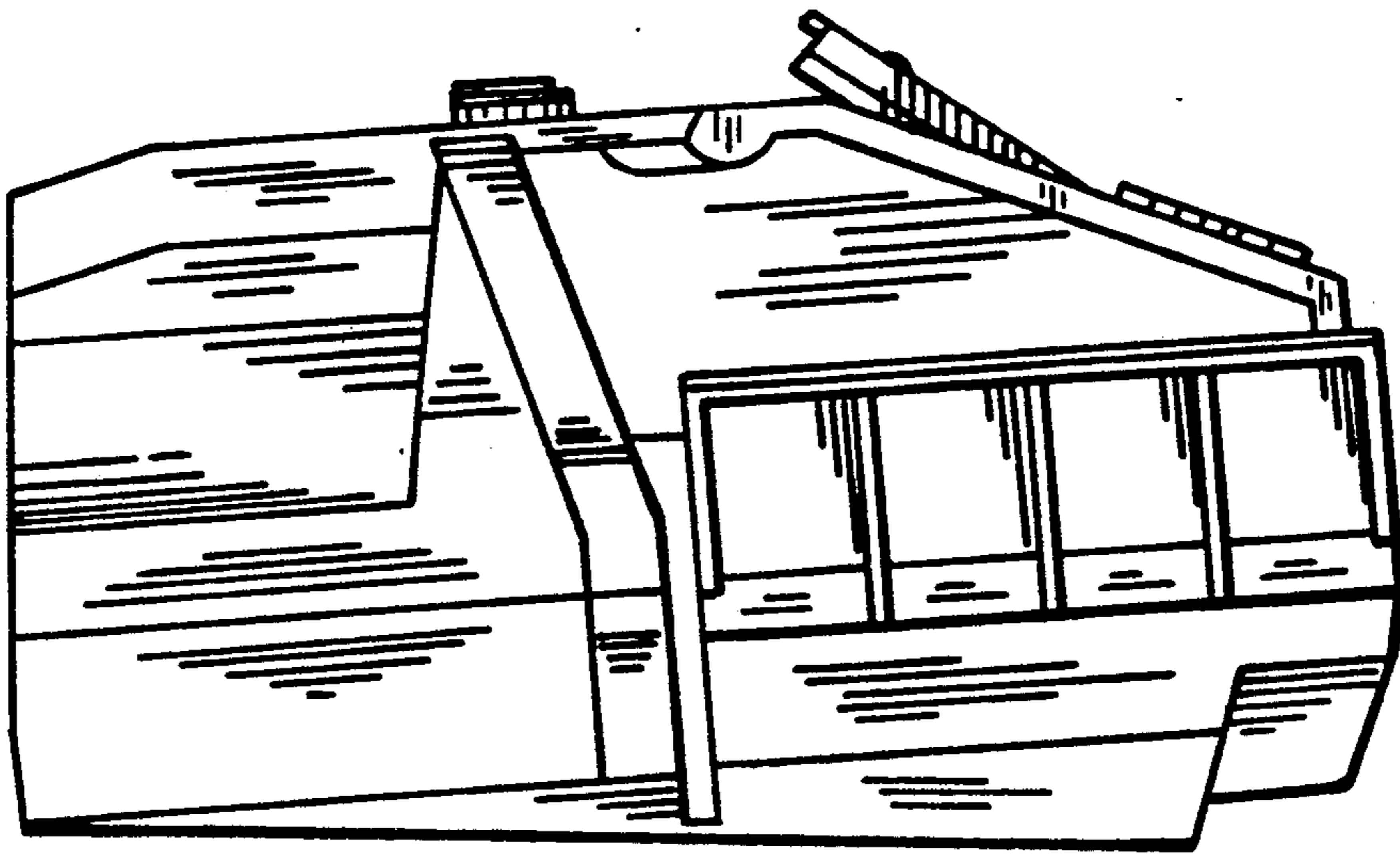


FIG. 5

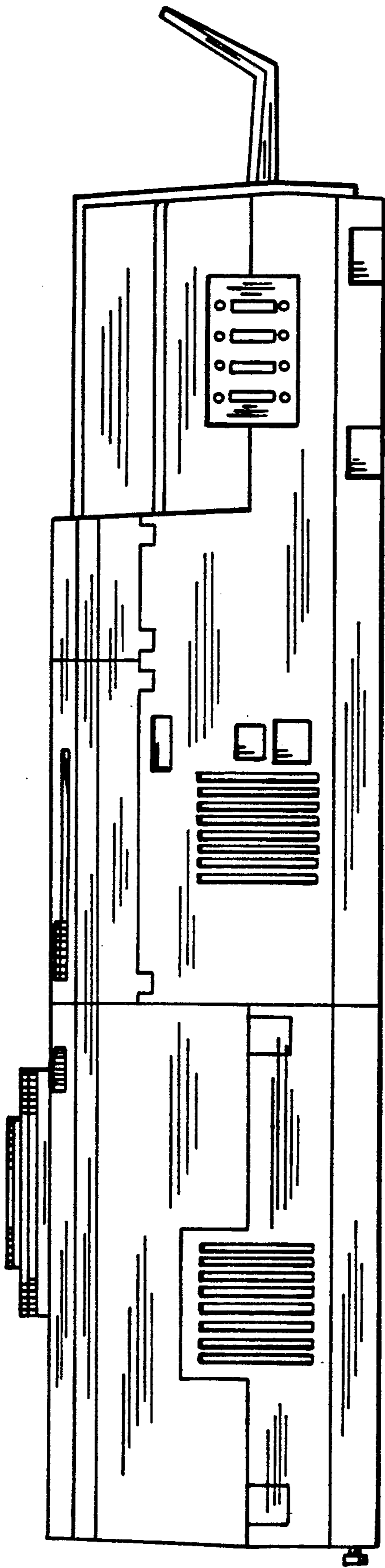


FIG. 6