



US00D330385S

United States Patent [19]

[11] Patent Number: **Des. 330,385**

Umino

[45] Date of Patent: **** Oct. 20, 1992**

[54] **PAPER FEEDER FOR PRINTER**

[75] Inventor: **Toshio Umino, Yokohama, Japan**

[73] Assignee: **Canon Kabushiki Kaisha, Tokyo, Japan**

[**] Term: **14 Years**

[21] Appl. No.: **493,315**

[22] Filed: **Mar. 14, 1990**

[30] **Foreign Application Priority Data**

Sep. 14, 1989 [JP] Japan 1-33783

[52] U.S. Cl. **D18/49; D18/56**

[58] Field of Search **D18/44, 46, 47, 48, D18/49, 56; 400/619, 613, 613.2, 624-625, 629, 691; 226/74, 196; 355/308, 309, 321, 324; 271/145, 162-164, 207; 312/208; 211/50**

[56] **References Cited**

U.S. PATENT DOCUMENTS

- D. 258,066 1/1981 DeGregorio D18/44
- D. 295,531 5/1988 Akiyama D18/49
- D. 303,547 9/1989 Katada D18/49
- D. 321,362 11/1991 Martin D18/49

- 4,363,477 12/1982 Miyashita D18/44
- 4,619,388 10/1986 Ono et al. 400/613.2
- 4,747,718 5/1988 Shimizu 400/625

FOREIGN PATENT DOCUMENTS

- 0230925 12/1984 Japan 271/145
- 0046823 2/1987 Japan 271/145

Primary Examiner—A. Hugo Word
Assistant Examiner—CathyAnne MacCormac
Attorney, Agent, or Firm—Fitzpatrick, Cella, Harper & Scinto

[57] **CLAIM**

The ornamental design for a paper feeder for printer, as shown and described.

DESCRIPTION

FIG. 1 is a front elevational view of a paper feeder for printer showing my new design;
FIG. 2 is a rear elevational view thereof;
FIG. 3 is a top plan view thereof;
FIG. 4 is a bottom plan view thereof;
FIG. 5 is a left side elevational view thereof;
FIG. 6 is a right side elevational view thereof; and,
FIG. 7 is a perspective view thereof.

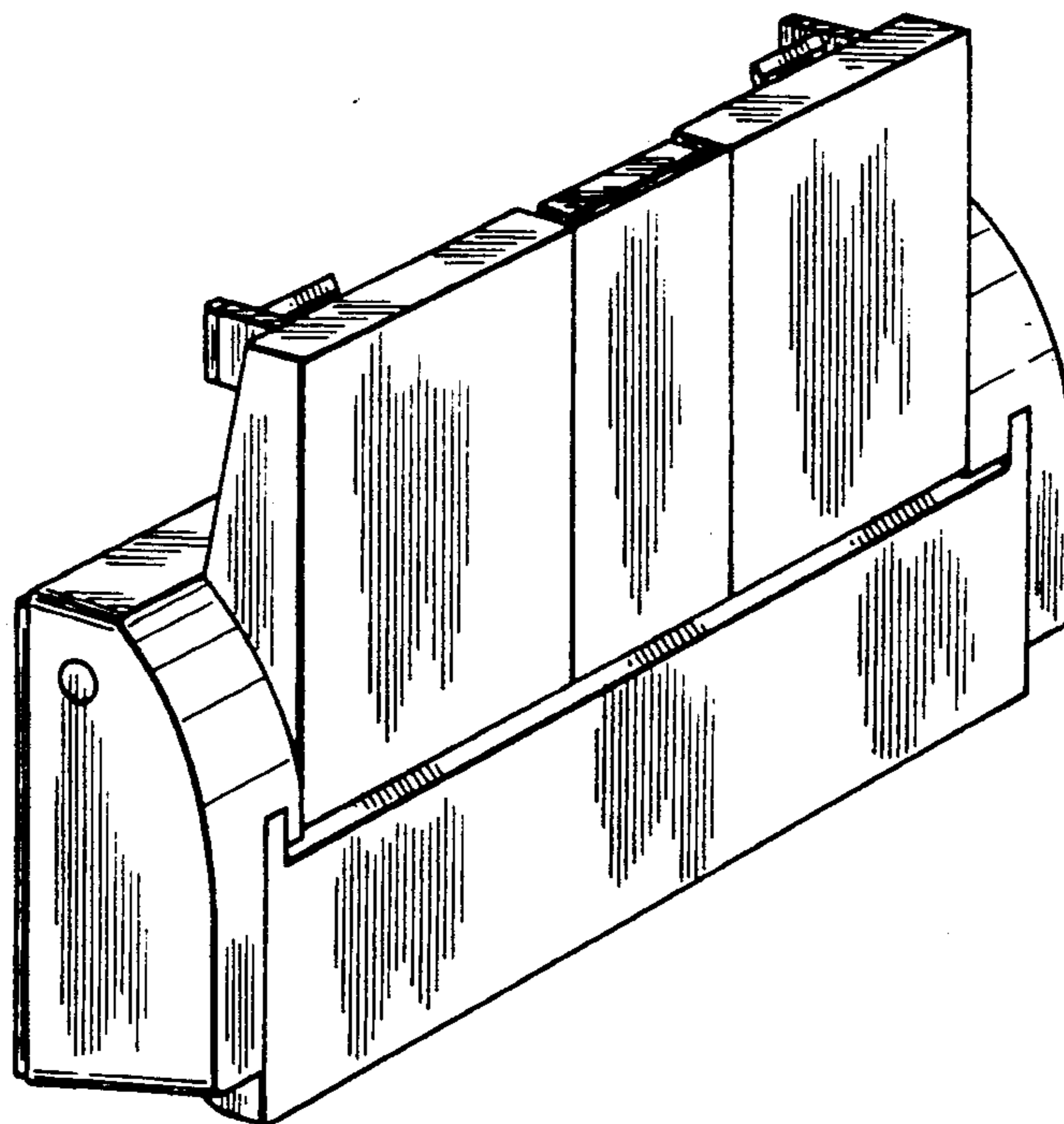


FIG. 1

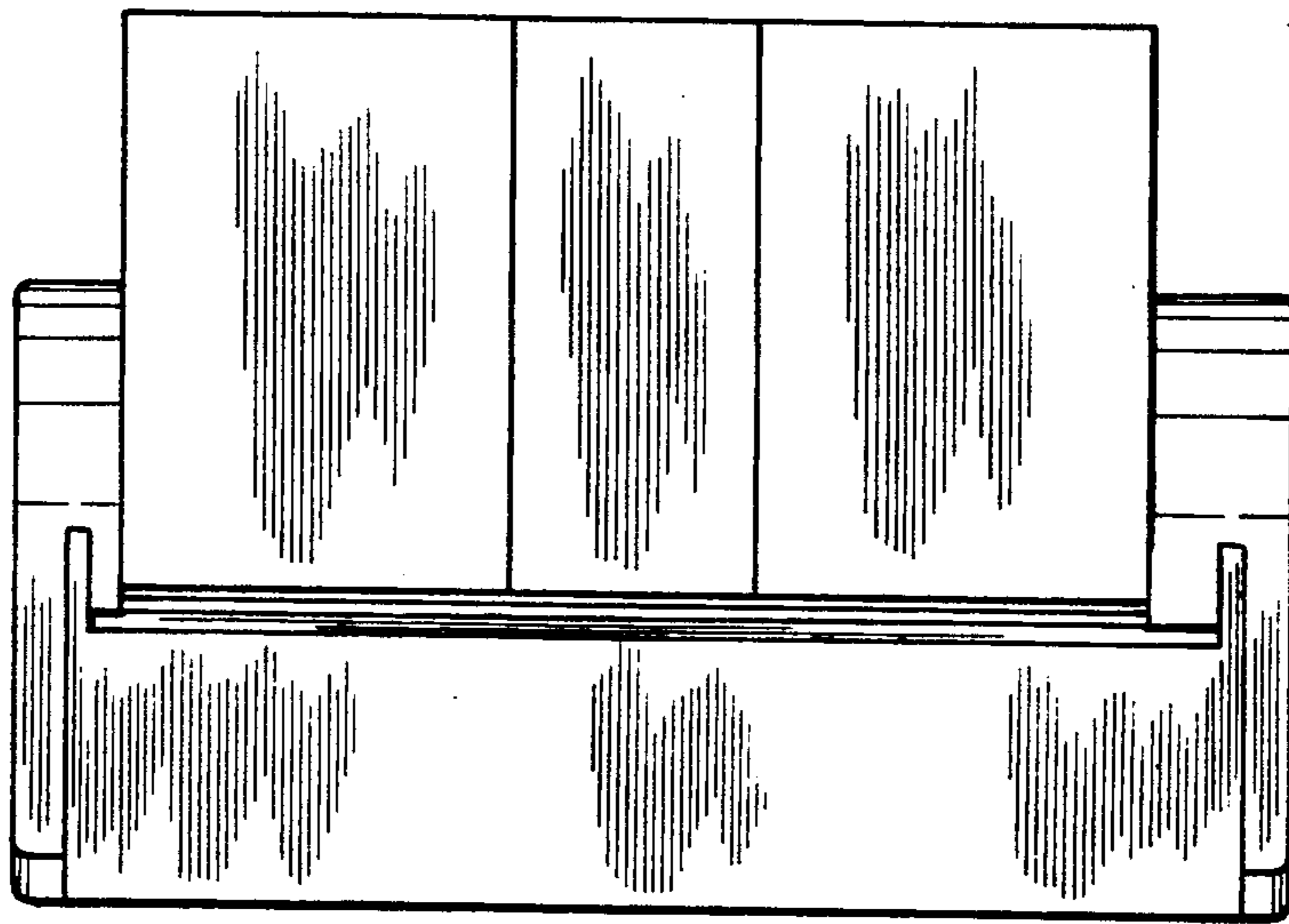


FIG. 2

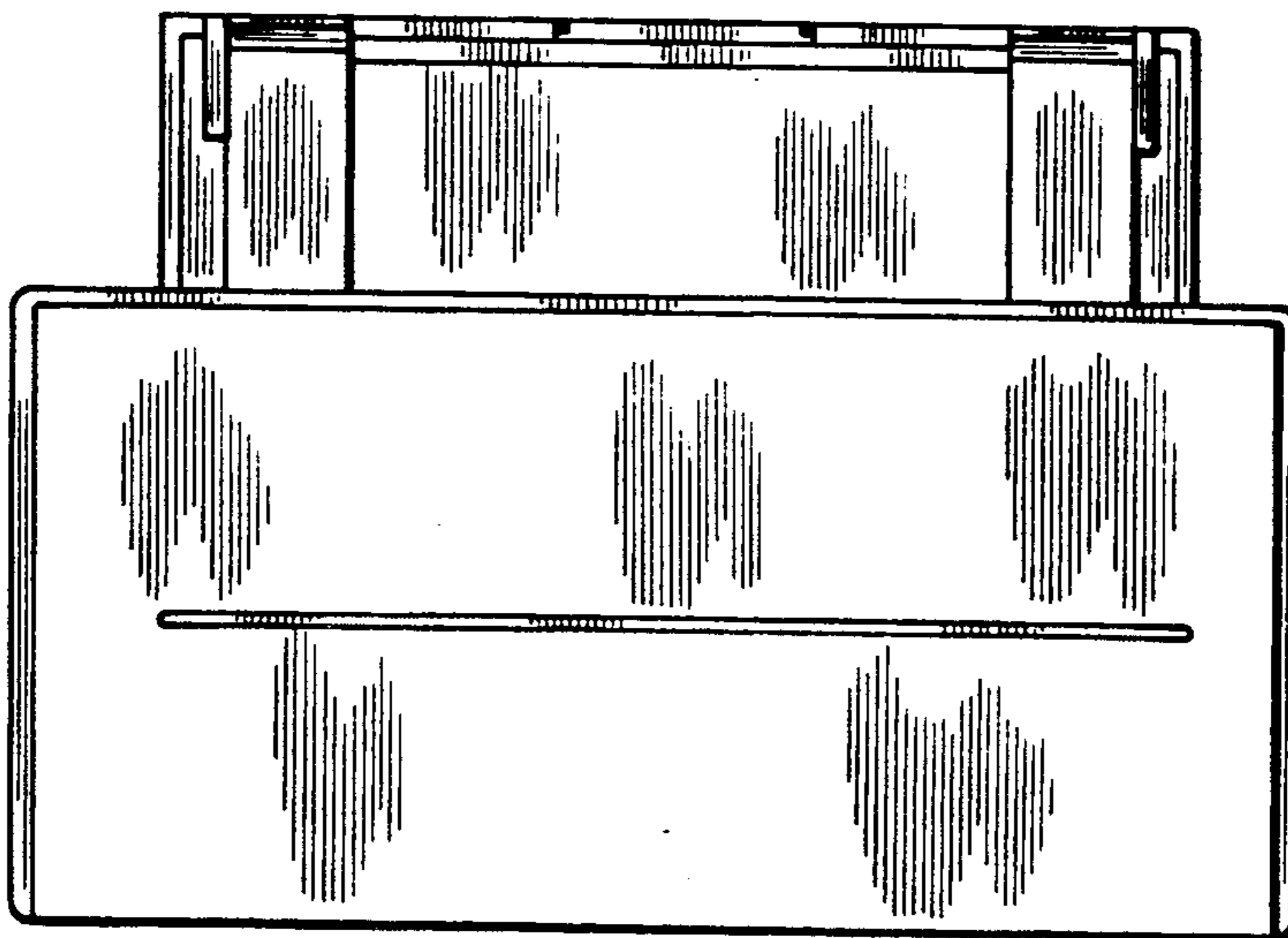


FIG. 3

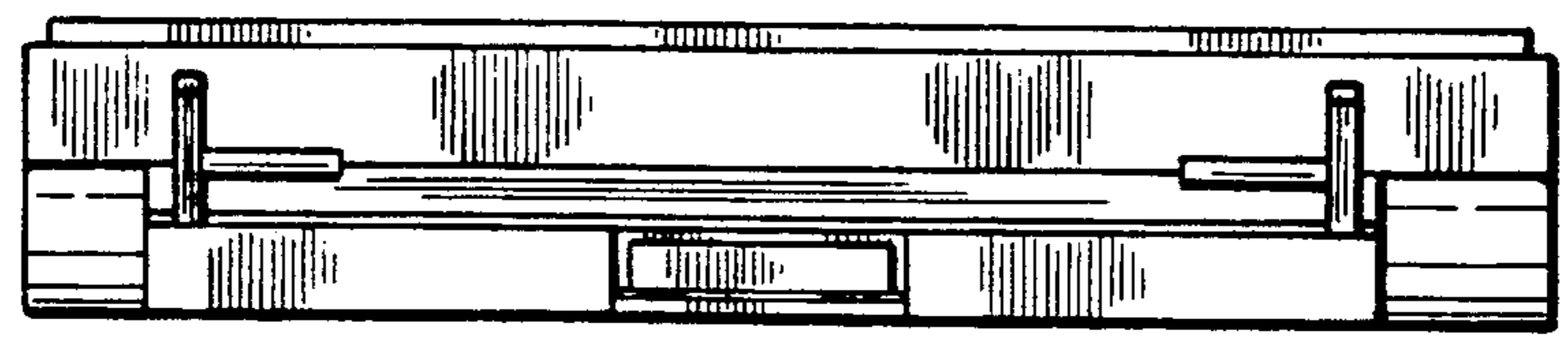


FIG. 4

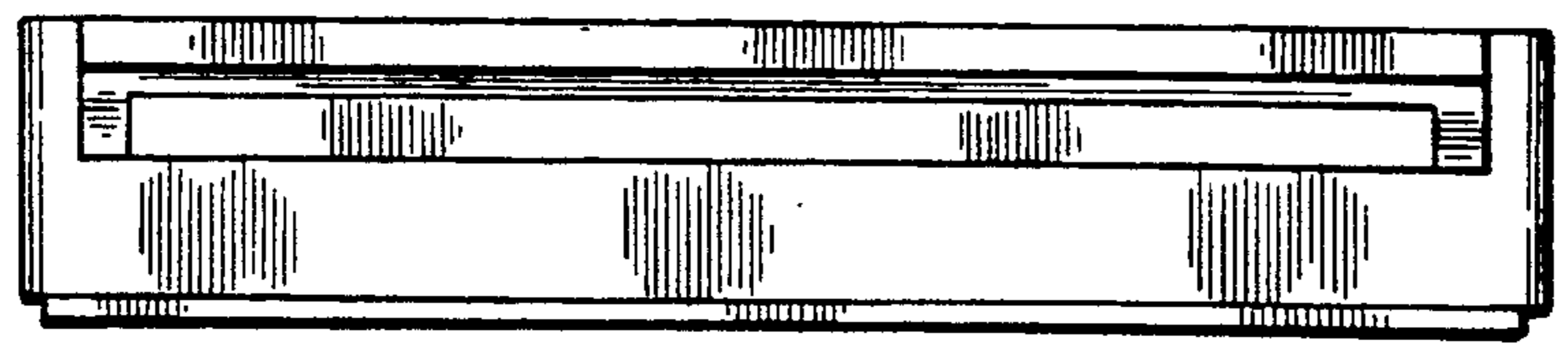


FIG. 5

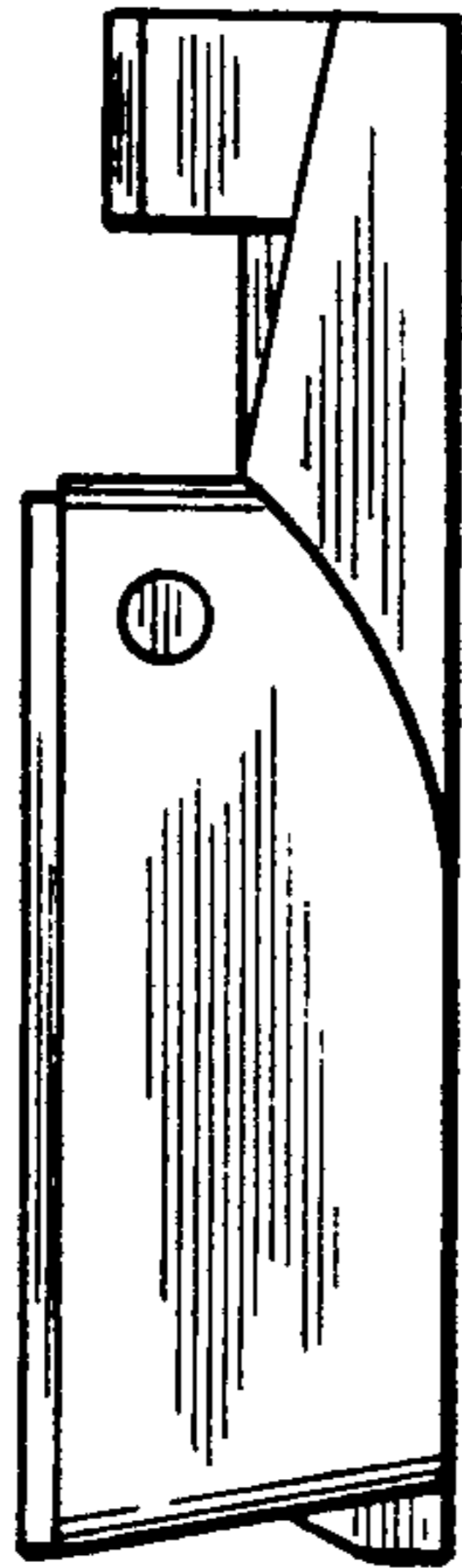


FIG. 6



FIG. 7

