



US00D330383S

United States Patent [19]

[11] Patent Number: **Des. 330,383**

Uchikawa et al.

[45] Date of Patent: **** Oct. 20, 1992**

[54] **COMBINED VIDEO CAMERA AND TAPE RECORDER**

D. 313,237 12/1990 Fukuda et al. D16/202
D. 314,203 1/1991 Shinano D16/202
D. 321,089 10/1991 Miyahara D16/202

[75] Inventors: **Takeshi Uchikawa; Hiroyuki Kinemura; Takumi Kibushi; Tadanori Fujiwara**, all of Osaka, Japan

OTHER PUBLICATIONS

Video Review (Canon's Xap Shot Camera) Jun. 1989 p. 50.

[73] Assignee: **Sanyo Electric Co., Ltd.**, Osaka, Japan

Primary Examiner—Bernard Ansher
Assistant Examiner—Adir Aronovich
Attorney, Agent, or Firm—Darby & Darby

[**] Term: **14 Years**

[21] Appl. No.: **558,889**

[57] CLAIM

[22] Filed: **Jul. 26, 1990**

The novel design for a combined video camera and tape recorder, as shown.

[30] Foreign Application Priority Data

Feb. 2, 1990 [JP] Japan 2-3135

DESCRIPTION

[52] U.S. Cl. **D16/202**

[58] Field of Search D16/200, 201, 202-205, D16/208, 209, 212, 213, 216-218; 354/75, 76, 288; 358/229, 906

FIG. 1 is a top, front perspective view of a combined video camera and tape recorder showing our new design;
FIG. 2 is a front elevational view thereof;
FIG. 3 is a rear elevational view thereof;
FIG. 4 is a top plan view thereof;
FIG. 5 is a bottom plan view thereof;
FIG. 6 is a left side elevational view thereof; and,
FIG. 7 is a right side elevational view thereof.

[56] References Cited

U.S. PATENT DOCUMENTS

D. 305,769 1/1990 Swayze D16/202

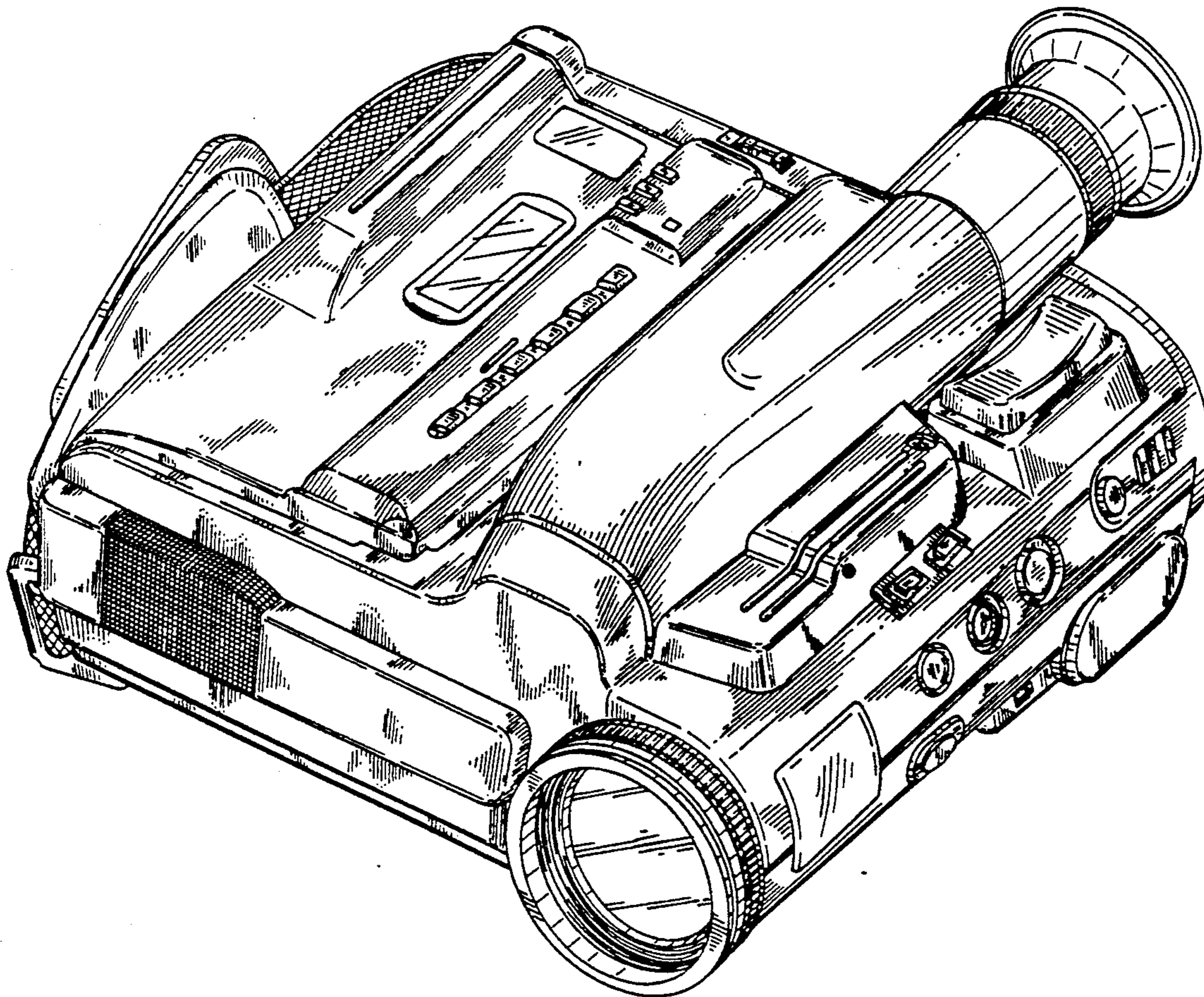


FIG. 1

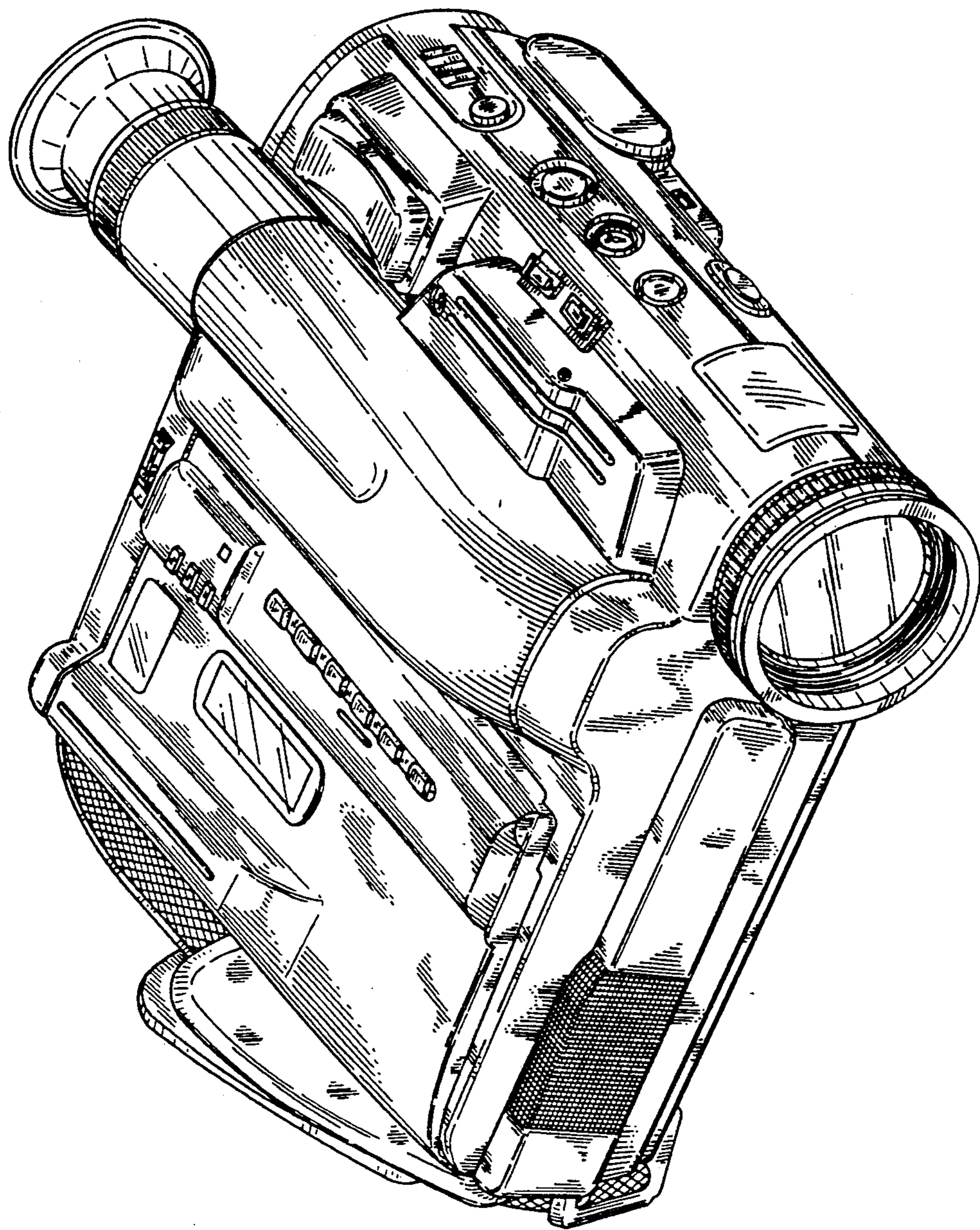


FIG. 2

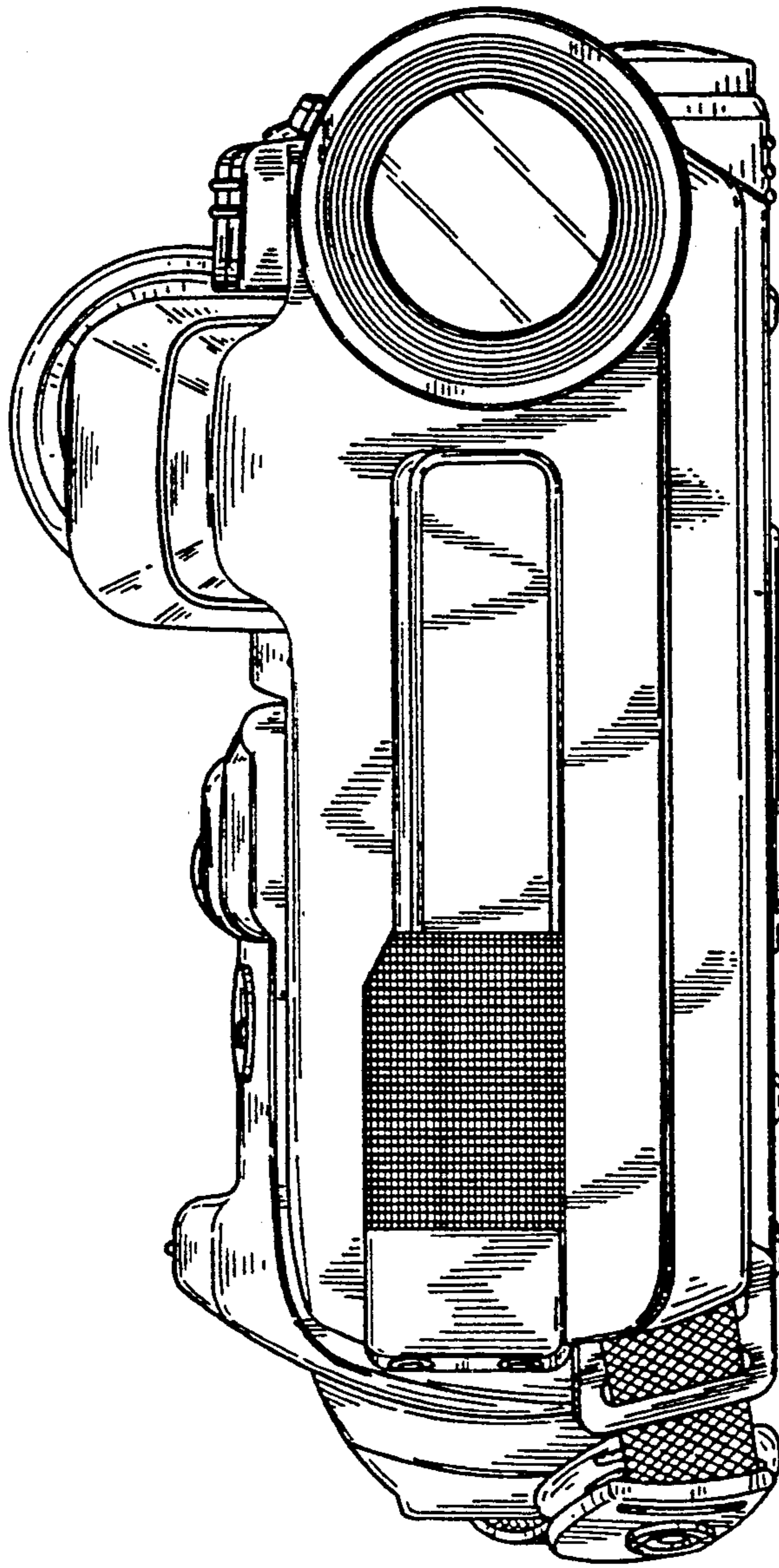


FIG. 3

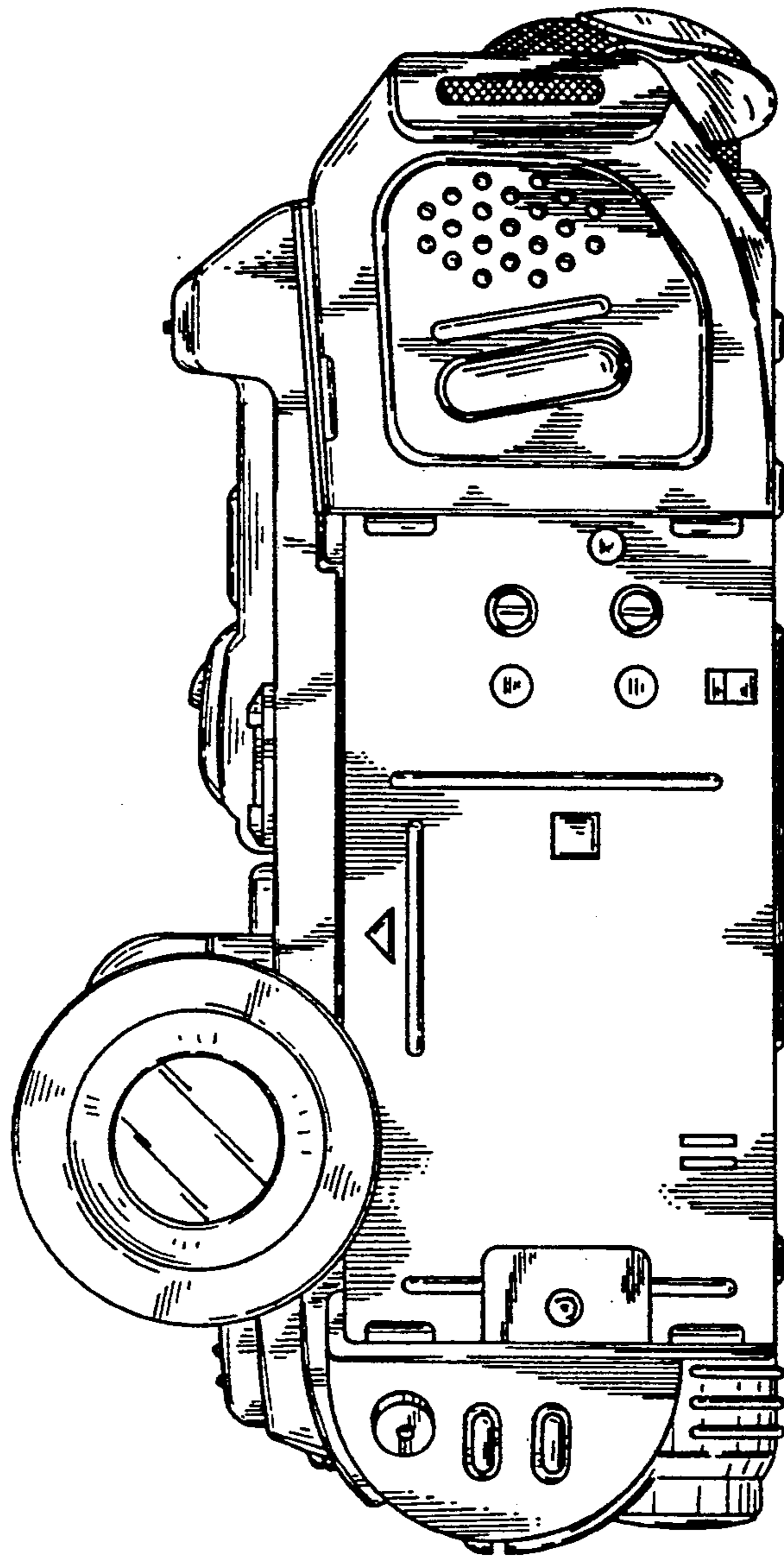


FIG. 4

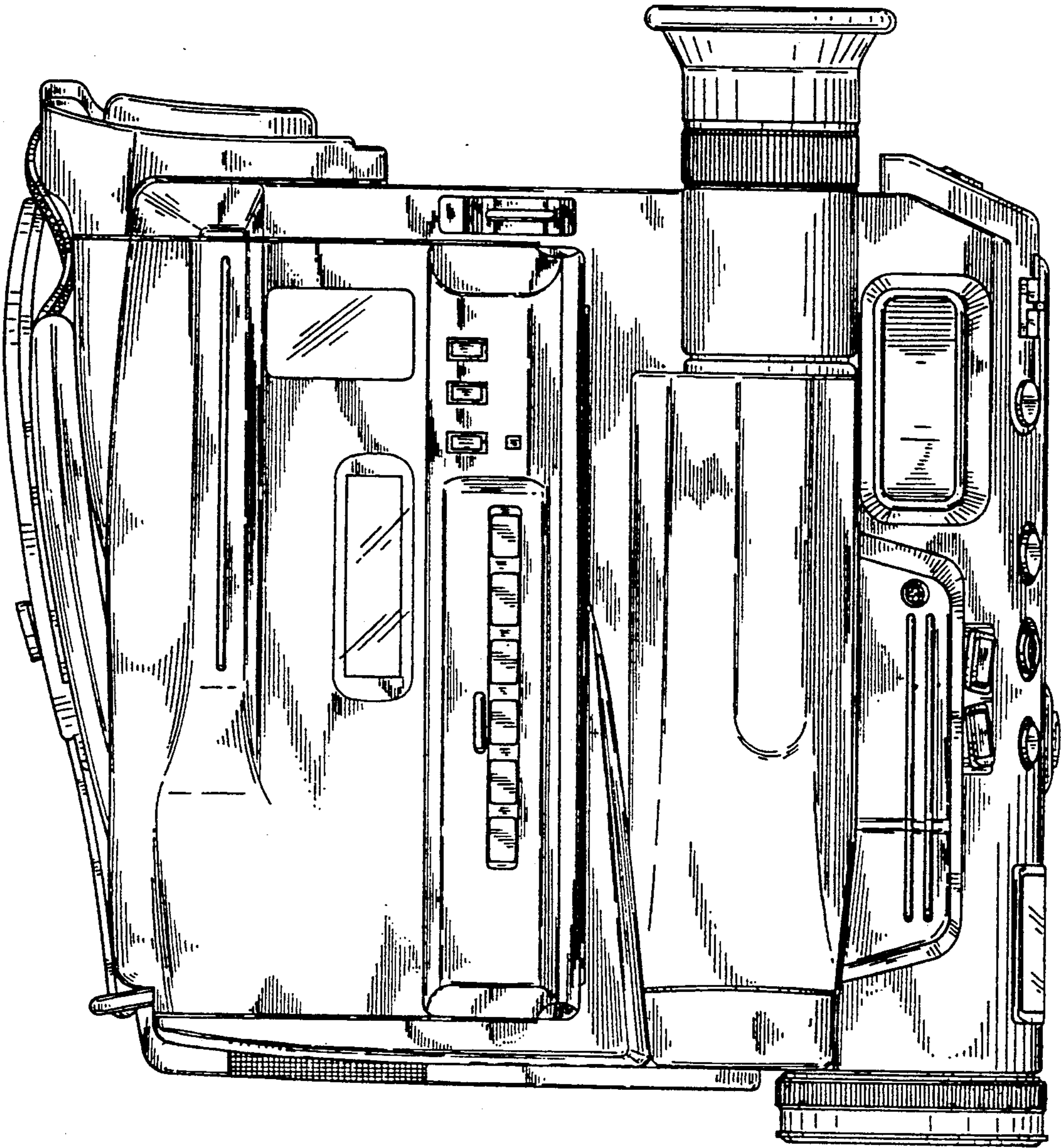


FIG. 5

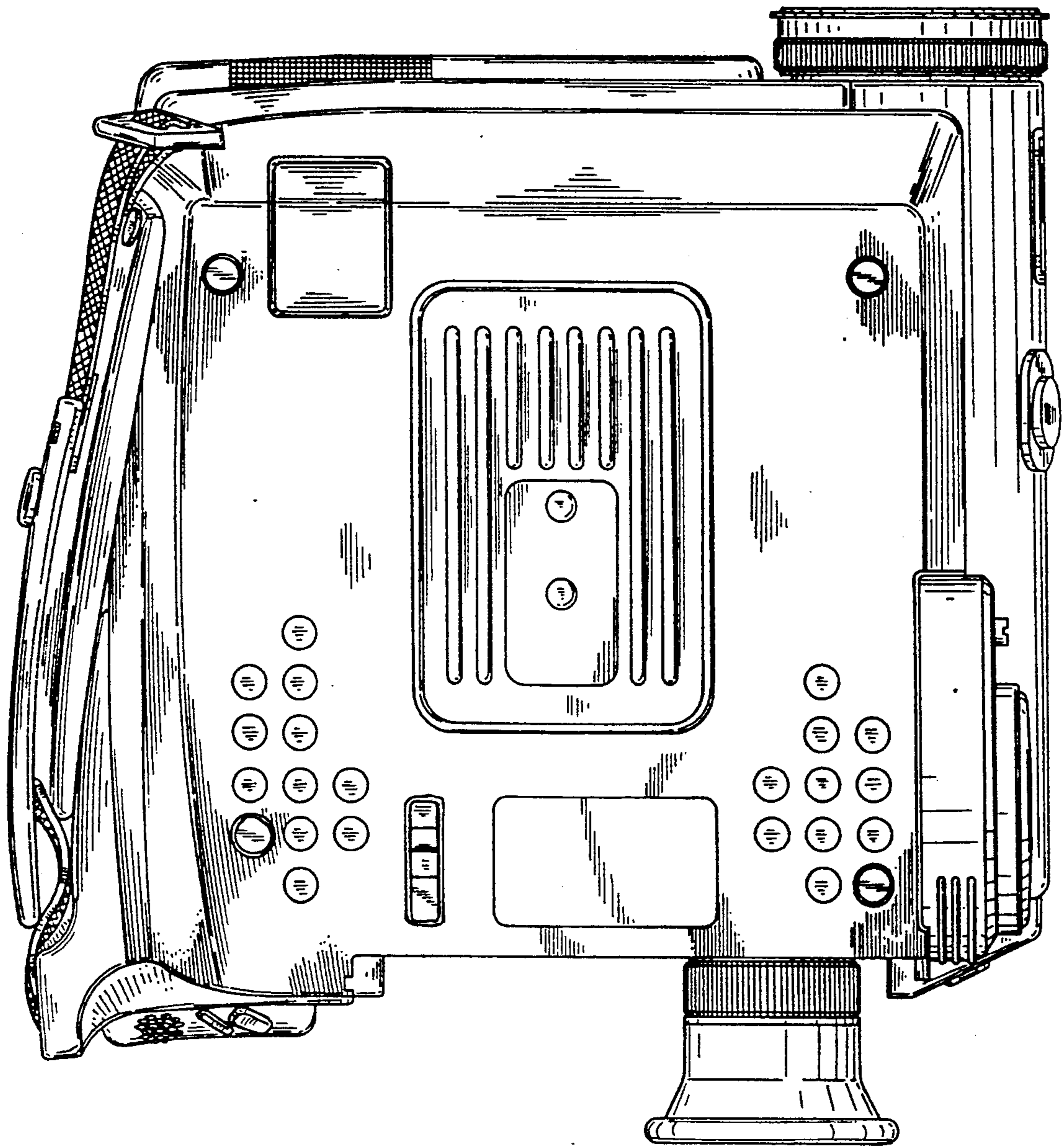


FIG. 6

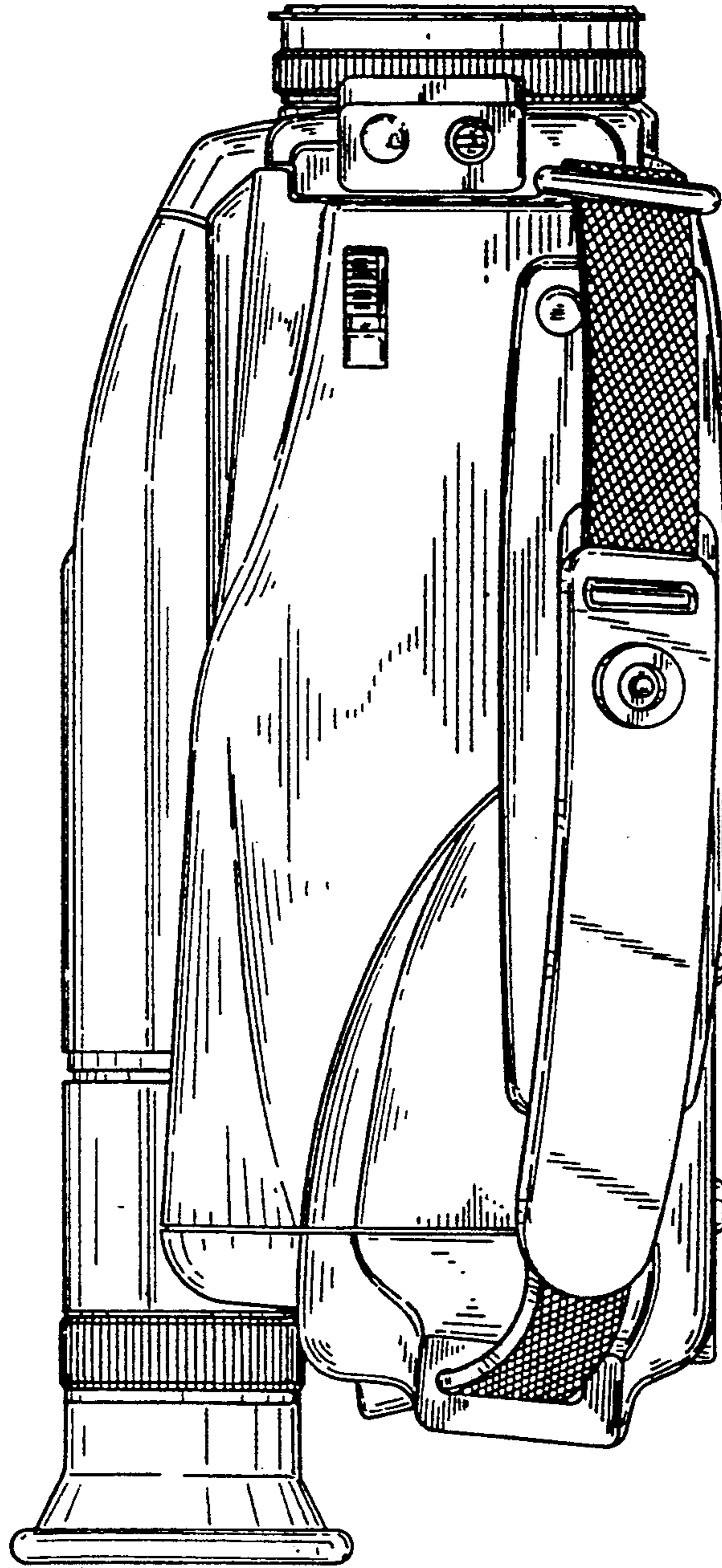


FIG. 7

