



US00D330382S

United States Patent [19]

[11] Patent Number: **Des. 330,382**

Degnan

[45] Date of Patent: **** Oct. 20, 1992**

[54] **PANORAMIC DOOR VIEWER**

[76] Inventor: **Donald E. Degnan**, 314 E. 77th St.,
New York, N.Y. 10021

[**] Term: **14 Years**

[21] Appl. No.: **507,910**

[22] Filed: **Apr. 10, 1990**

[52] U.S. Cl. **D16/130; D16/135**

[58] Field of Search **D16/135, 130; 359/399,**
359/504, 744, 356, 362, 894, 629

4,269,474	5/1981	Kamimura	359/504
4,348,083	9/1982	Kamimura	359/504
4,726,670	2/1988	Sherrard .	
4,730,911	3/1988	Wood et al.	359/504
4,869,021	9/1989	Gregory	359/399 X
4,892,399	1/1990	Ahn	359/894 X

Primary Examiner—A. Hugo Word
Assistant Examiner—Doris V. Coles
Attorney, Agent, or Firm—Hedman, Gibson & Costigan

[57] **CLAIM**

The ornamental design for a panoramic door viewer, as shown.

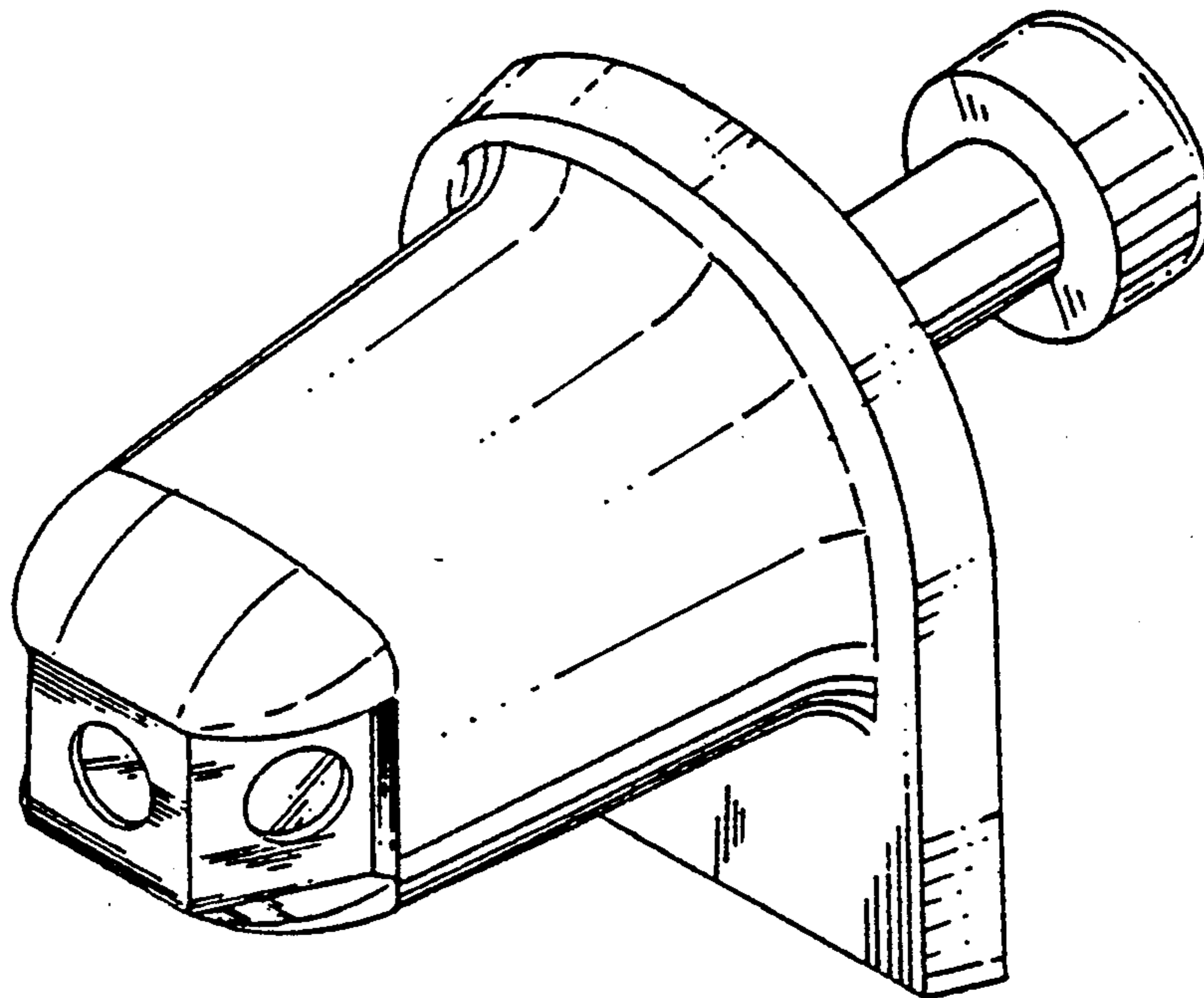
[56] **References Cited**

U.S. PATENT DOCUMENTS

D. 307,153	4/1990	Martin	D16/130
D. 310,840	9/1990	Degnan	D16/130 X
3,438,540	4/1969	Le Roy .	
3,973,835	8/1976	Miyakawa et al. .	
4,050,792	9/1977	Svensson	359/504
4,172,636	10/1979	Yanagimachi .	
4,175,824	11/1979	Daley	359/504
4,251,127	2/1981	Yamaguchi	359/504

DESCRIPTION

FIG. 1 is a perspective view of a panoramic door viewer, showing my new design;
FIG. 2 is a front elevational view thereof;
FIG. 3 is a rear elevational view thereof;
FIG. 4 is a left side elevational view thereof;
FIG. 5 is a right side elevational view;
FIG. 6 is a top plan view thereof; and,
FIG. 7 is a bottom plan view thereof.



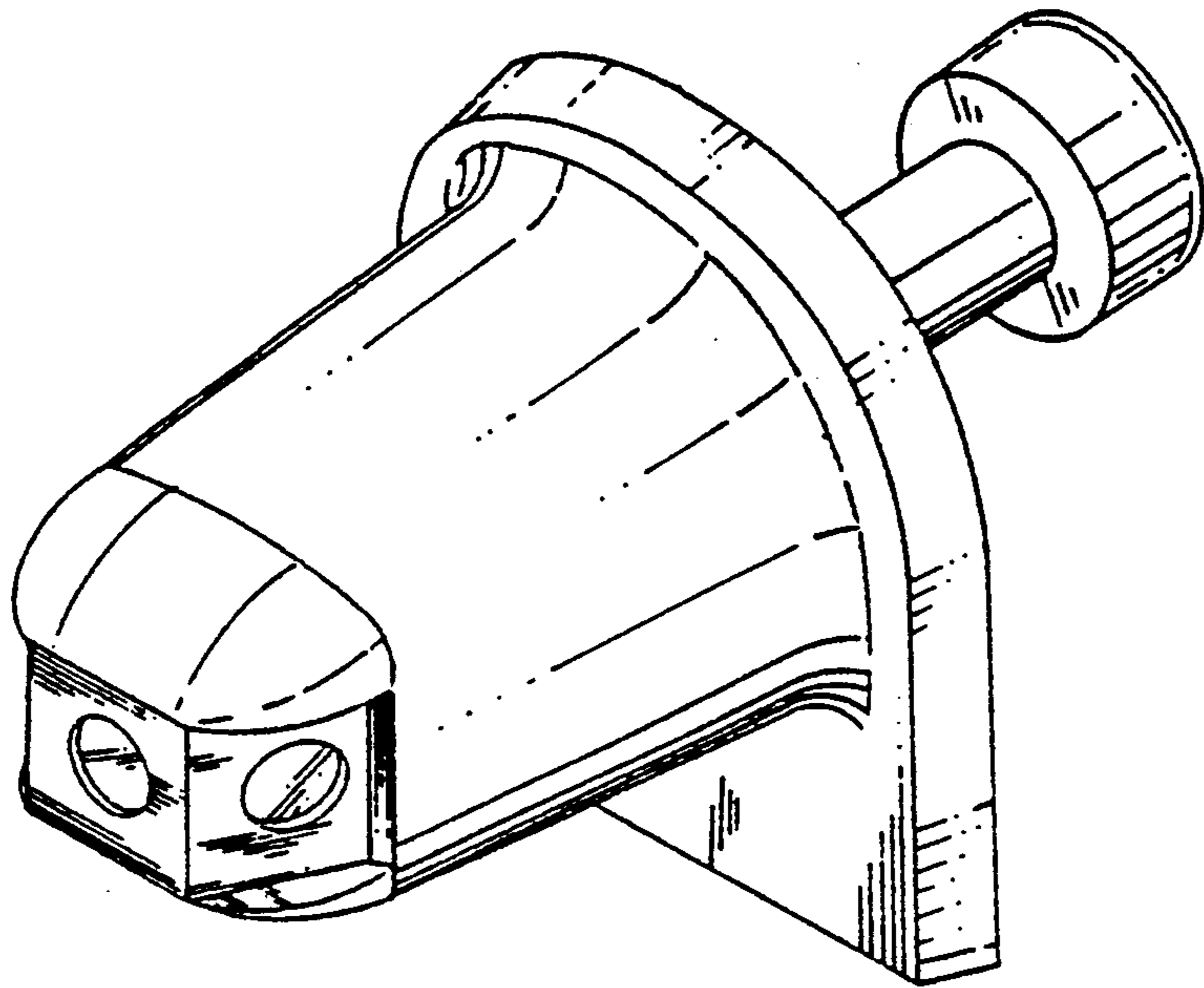


FIG. 1

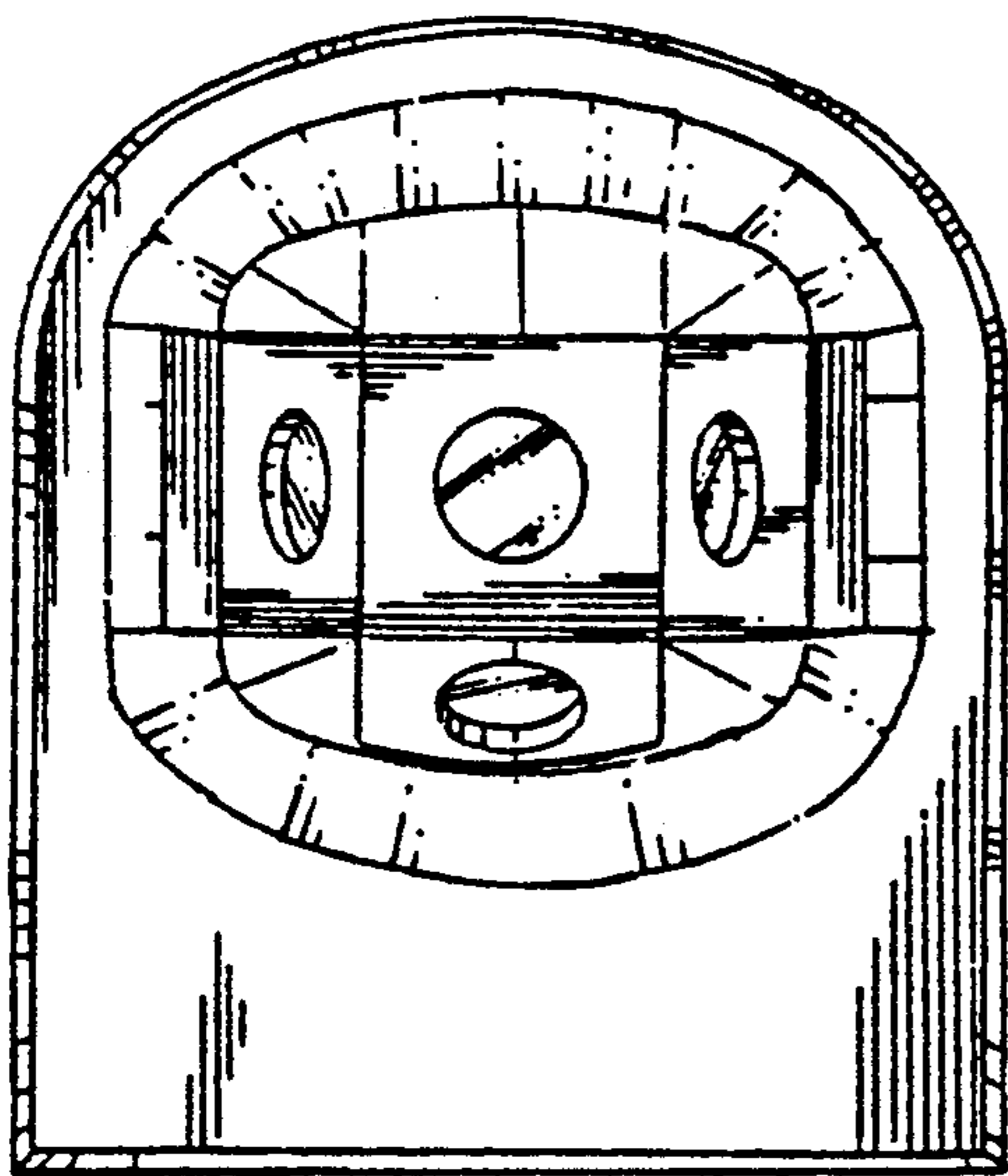


FIG. 2

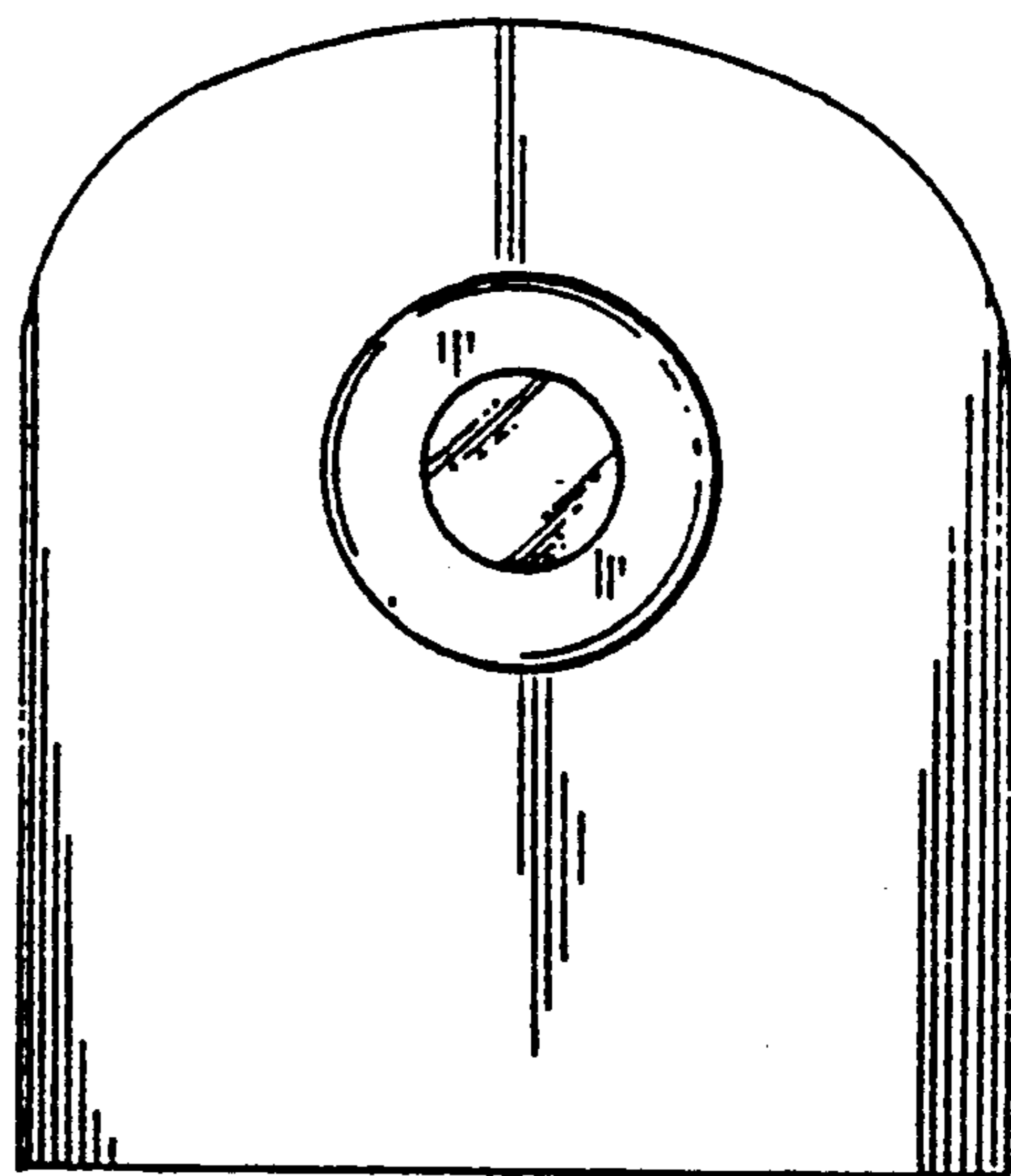


FIG. 3

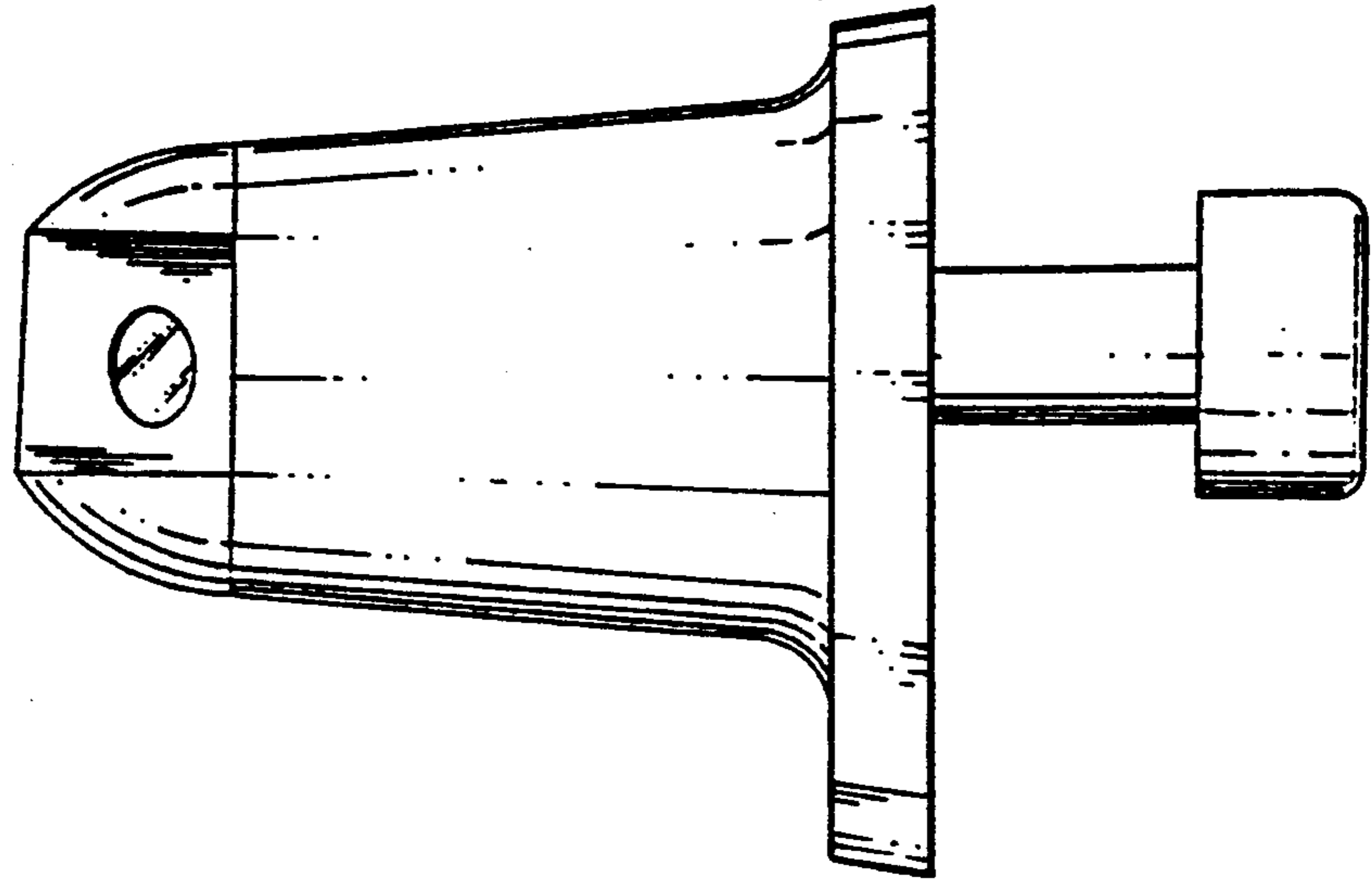


FIG. 4

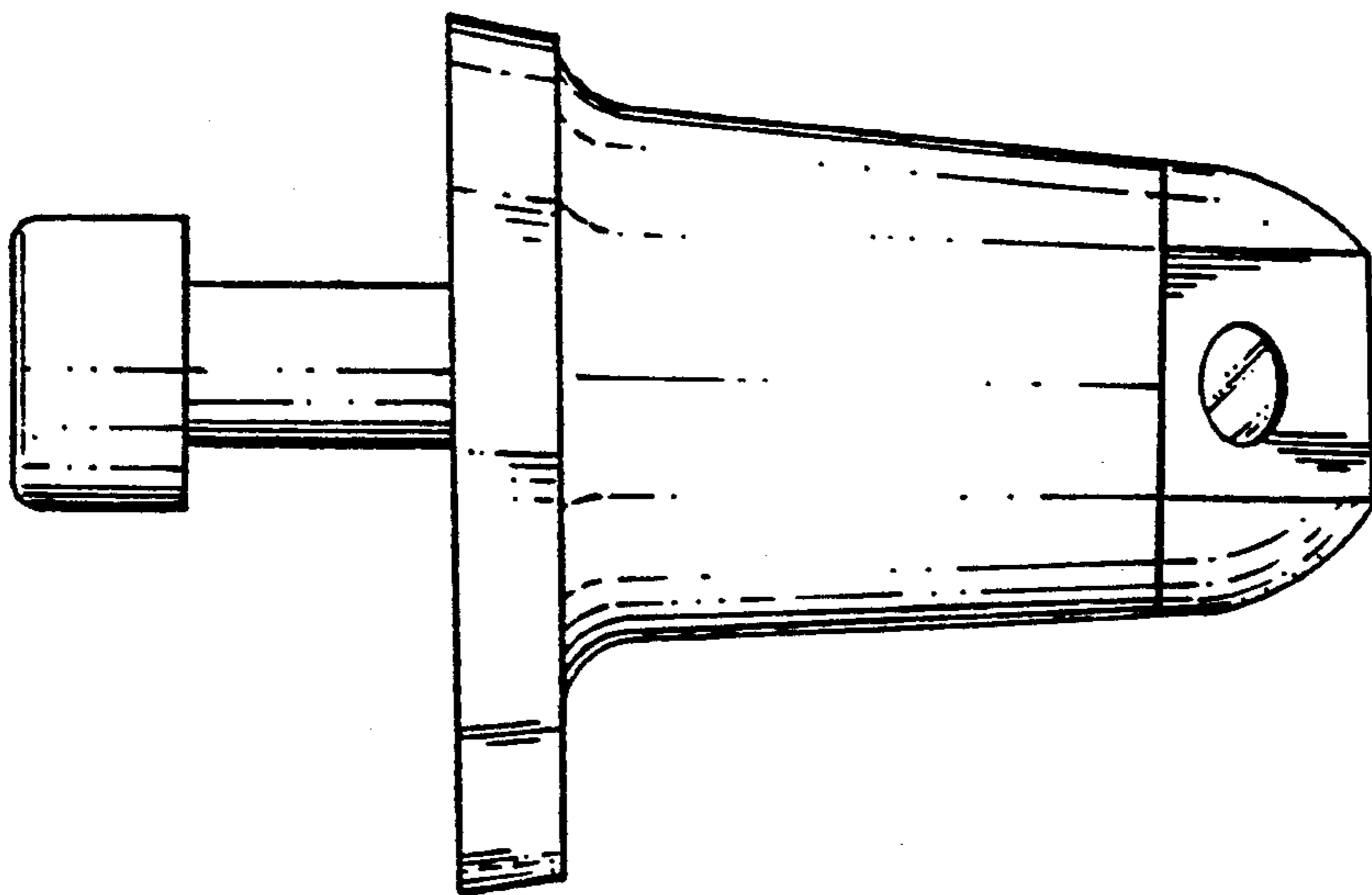


FIG. 5

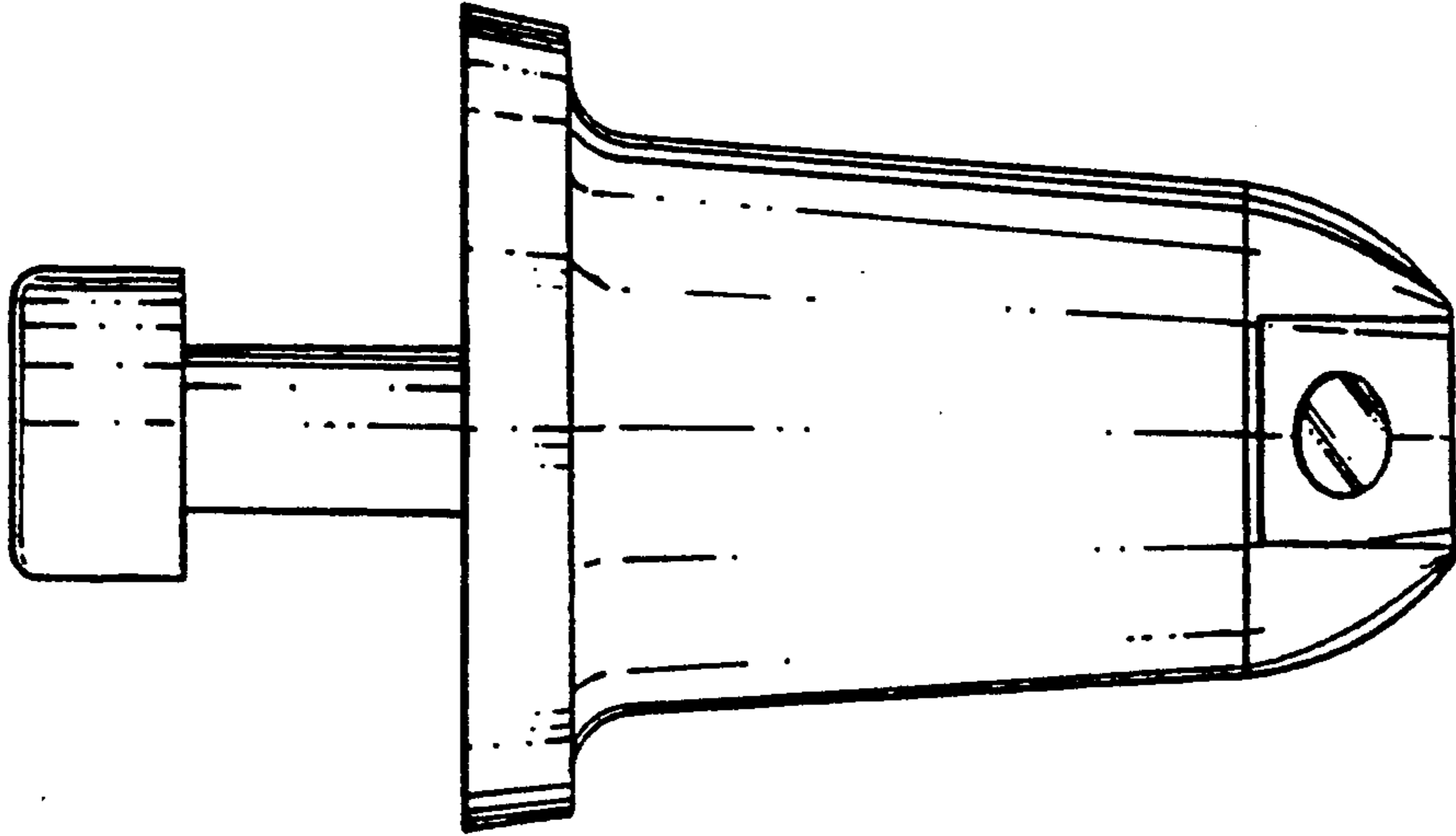


FIG. 6

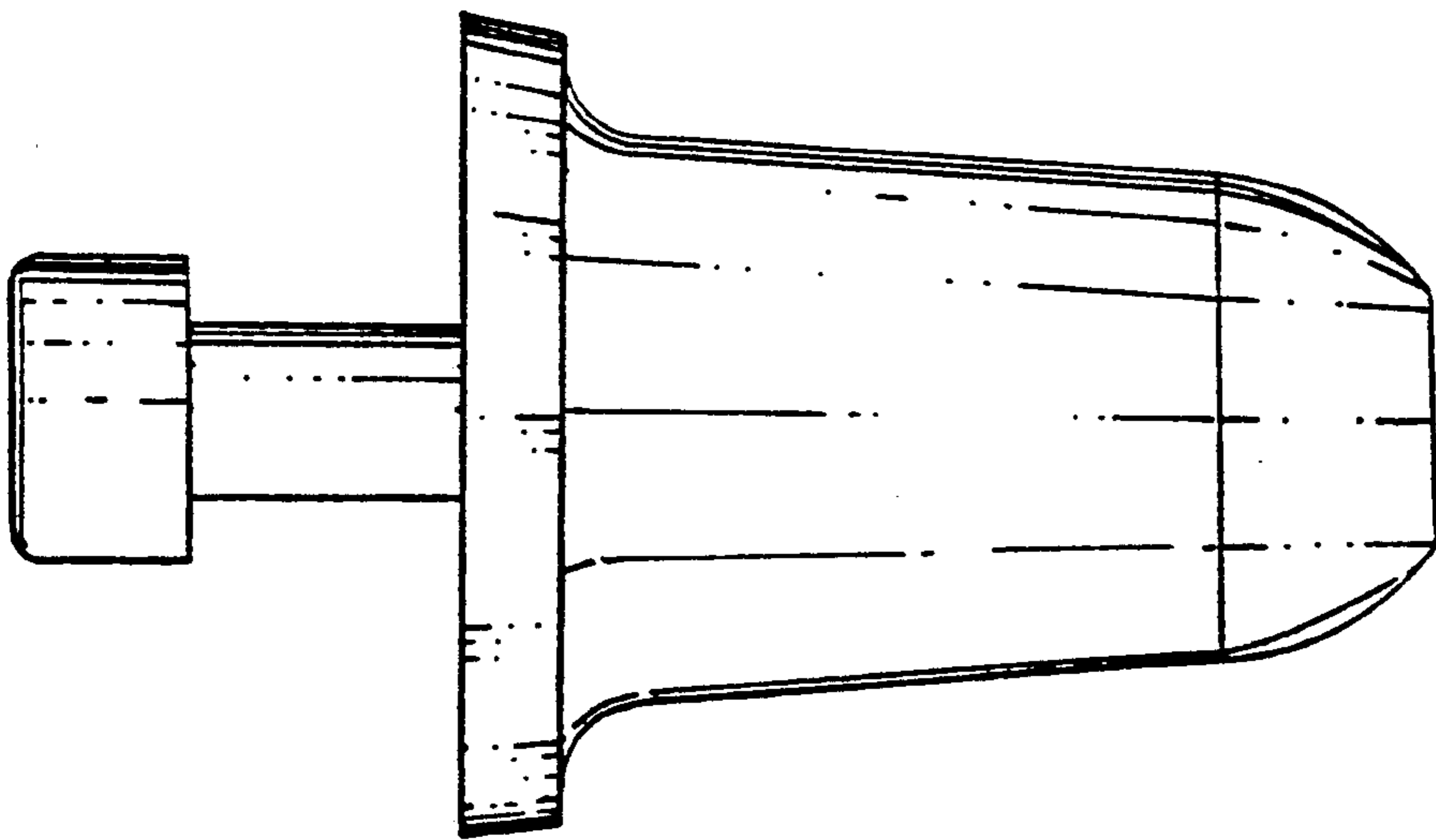


FIG. 7