



US00D330380S

United States Patent [19]

[11] Patent Number: **Des. 330,380**

Secret

[45] Date of Patent: **** Oct. 20, 1992**

[54] ADAPTOR FOR AN EATON DIFFERENTIAL

4,333,358	6/1982	Grattapaglia	74/606 R
4,442,733	4/1984	Hartz	74/606 R
4,499,391	2/1985	Sakamoto	74/606 R X
4,677,876	7/1987	Dissett	74/607 X

[76] Inventor: **Thomas W. Secrest**, 1023 NE. 62nd St., Seattle, Wash. 98115

[**] Term: **14 Years**

Primary Examiner—Donald P. Walsh

[21] Appl. No.: **265,669**

Assistant Examiner—Jeffrey Asch

[22] Filed: **Nov. 1, 1988**

Attorney, Agent, or Firm—T. Secrest

[52] U.S. Cl. **D15/148; D12/160**

[57] **CLAIM**

[58] Field of Search 33/722, 730, 126.7 R; 184/6.4, 6.12, 108, 1.5, 105.1; 116/227; 141/94, 95; 74/606 R, 607; D15/148, 149; D12/160

The ornamental design for an adaptor for an eaton differential, as shown and described.

DESCRIPTION

[56] **References Cited**

FIG. 1 is a top plan of an adaptor for an eaton differential showing my new design;

U.S. PATENT DOCUMENTS

D. 16,185	7/1885	Porter	D12/160
D. 279,570	7/1985	Gentile	D15/149
2,124,406	7/1938	Spatta	74/607 X
2,688,102	8/1954	Jackson	184/105.1 X
3,220,104	11/1965	Puidokas et al.	74/607 X
4,221,138	9/1980	Stewart	74/607

FIG. 2 is front elevational view;

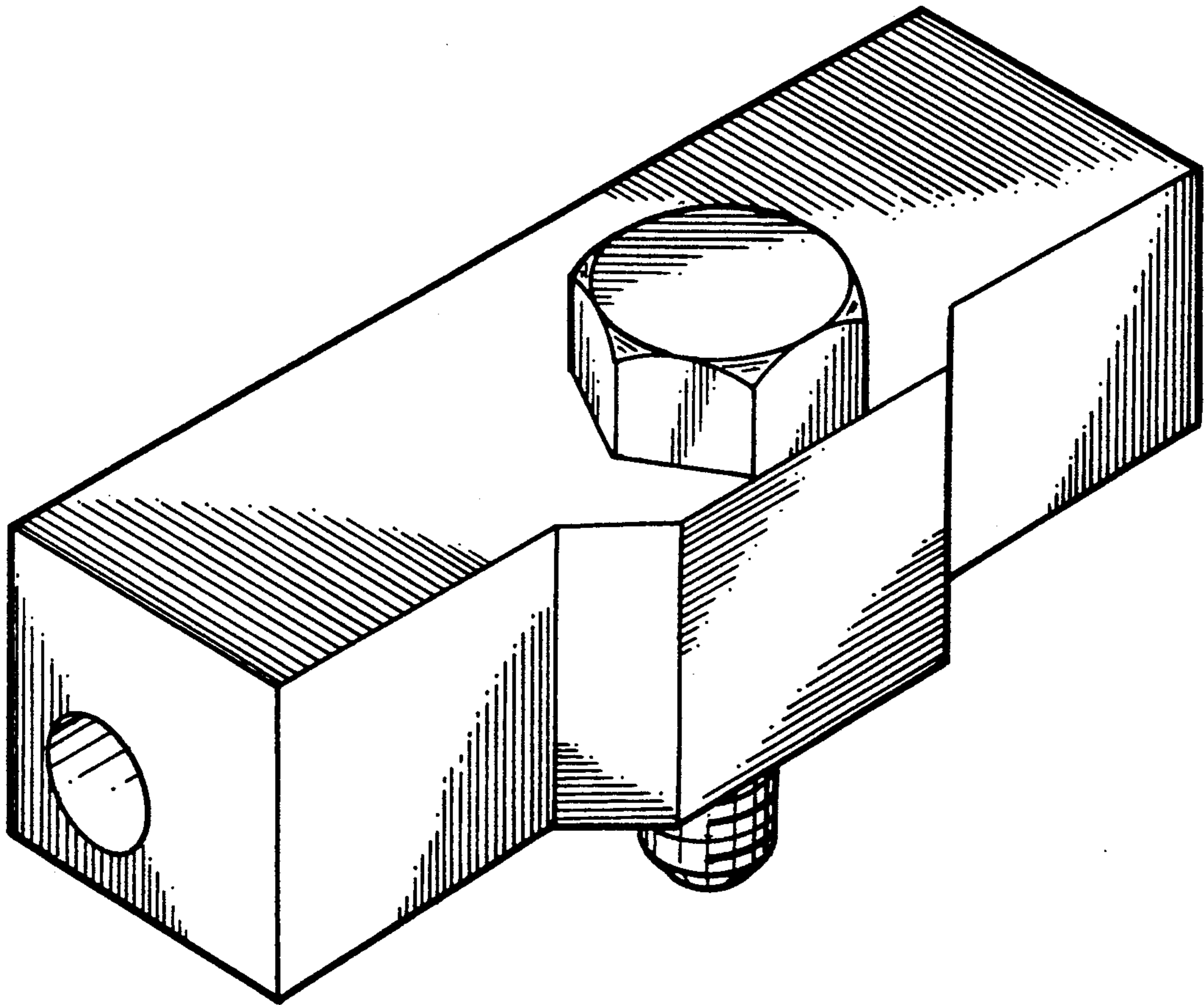
FIG. 3 is a bottom plan view;

FIG. 4 is a left side elevational view;

FIG. 5 is a right side elevational view; and,

FIG. 6 is a front and left side perspective view thereof.

The rear surface is flat and unornamented.



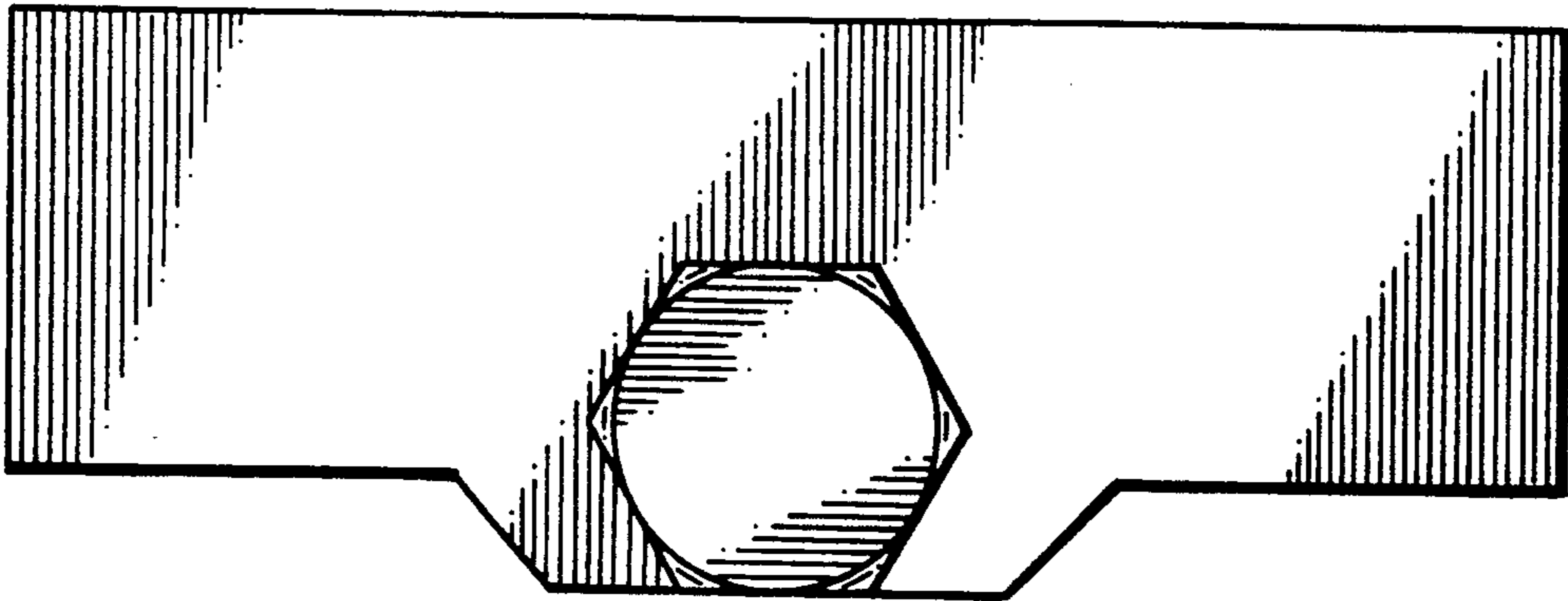


FIG. 1

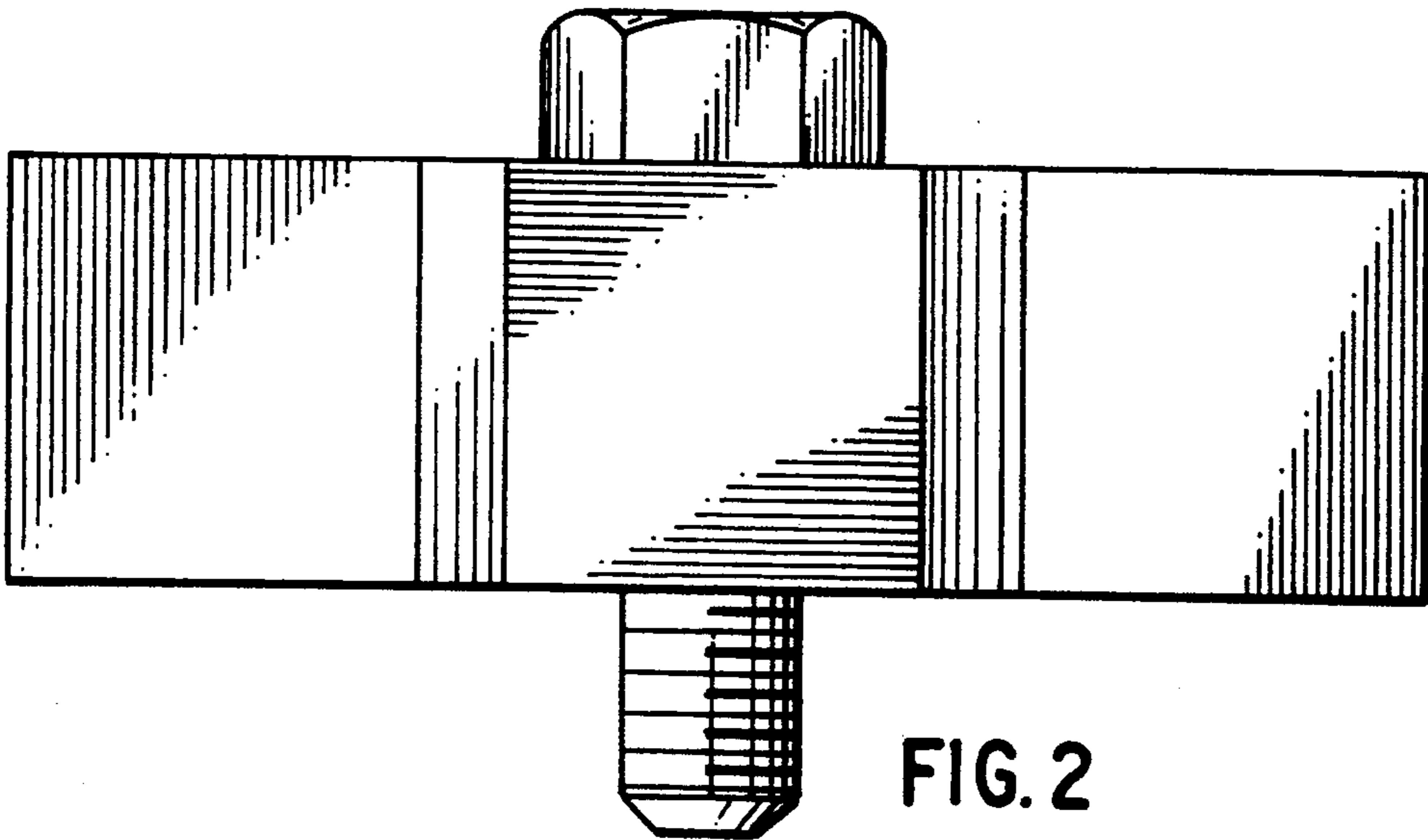


FIG. 2

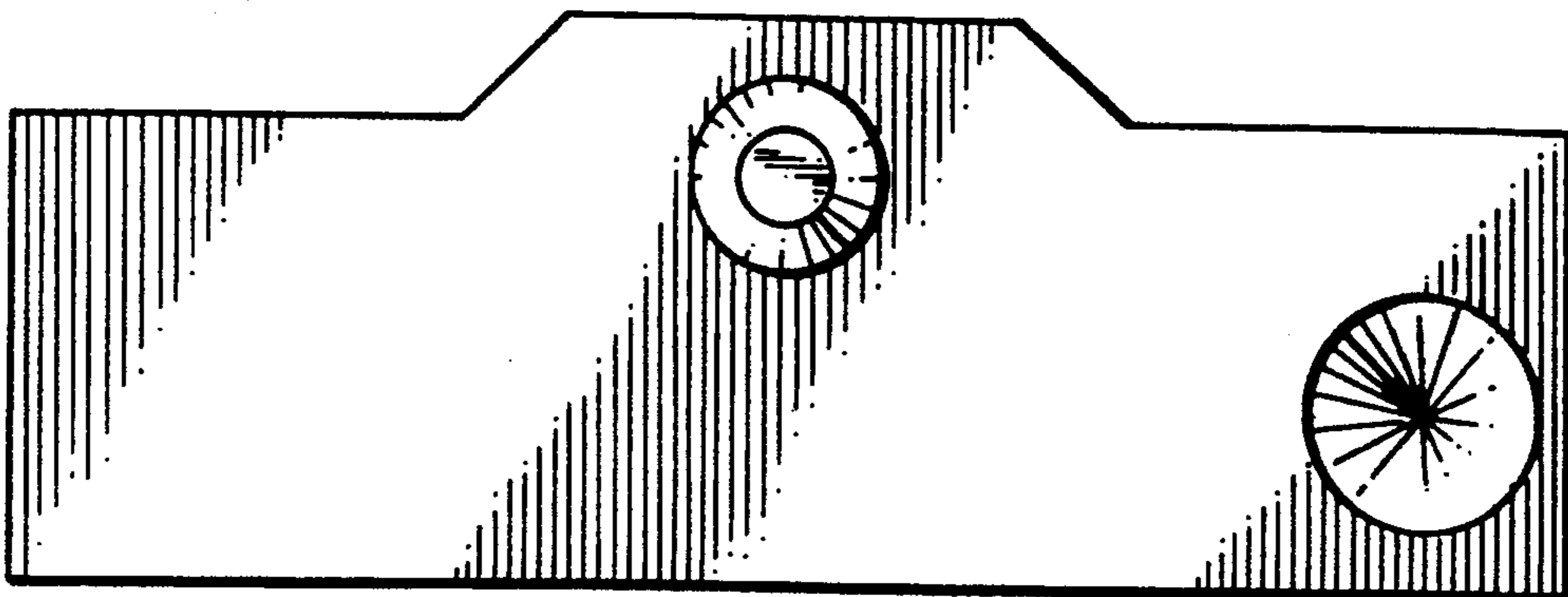


FIG. 3

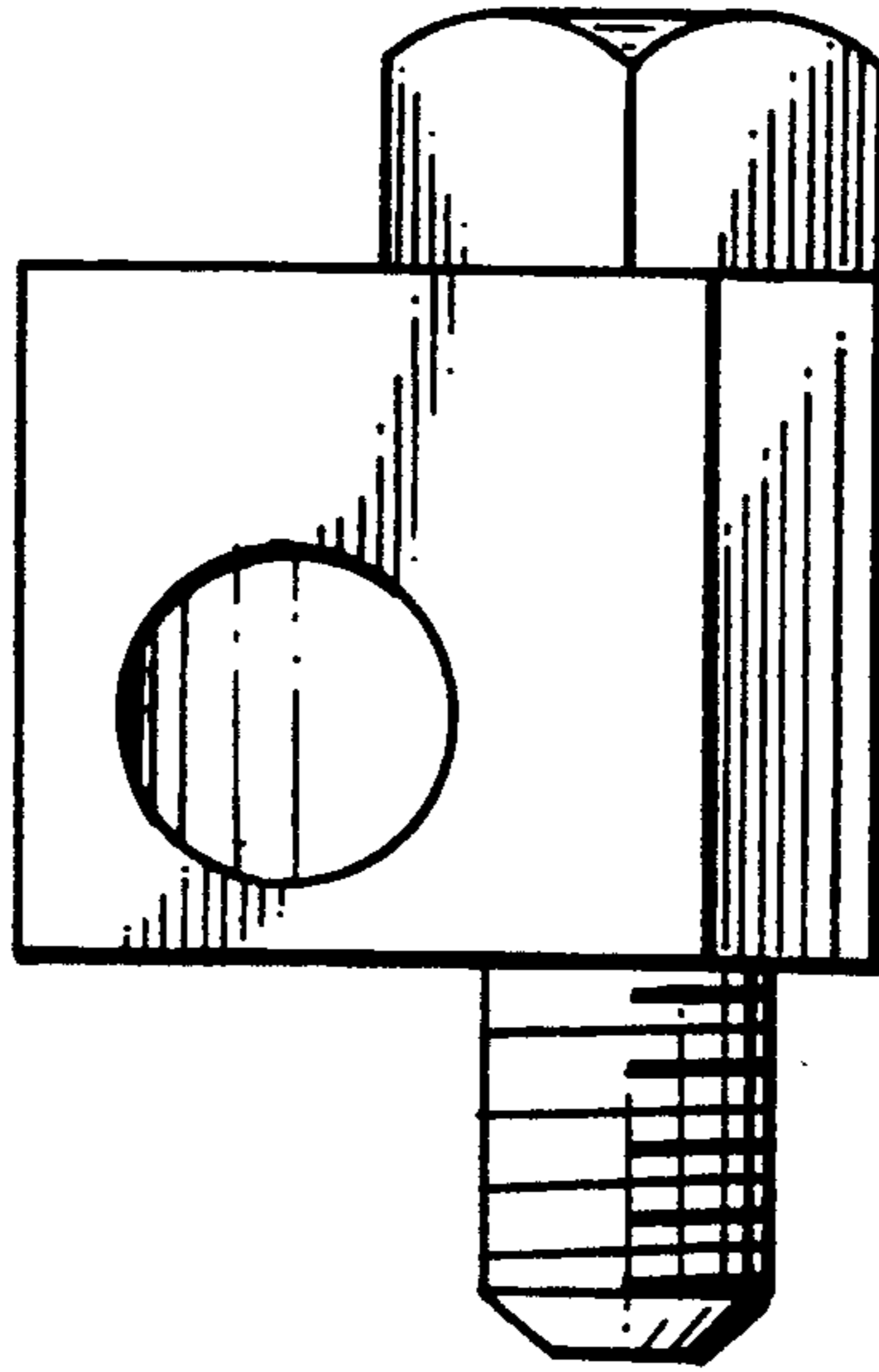


FIG. 4

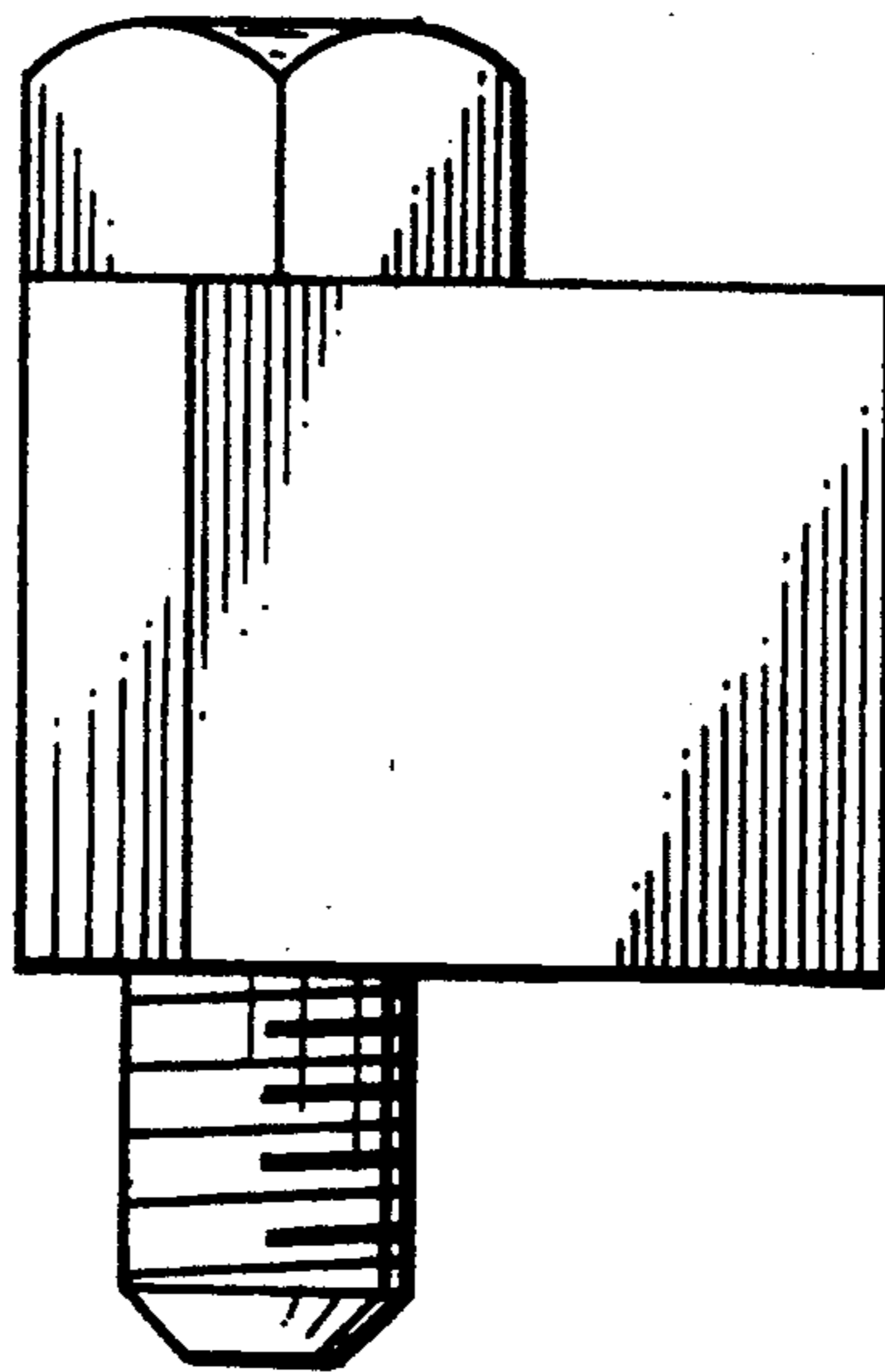


FIG. 5

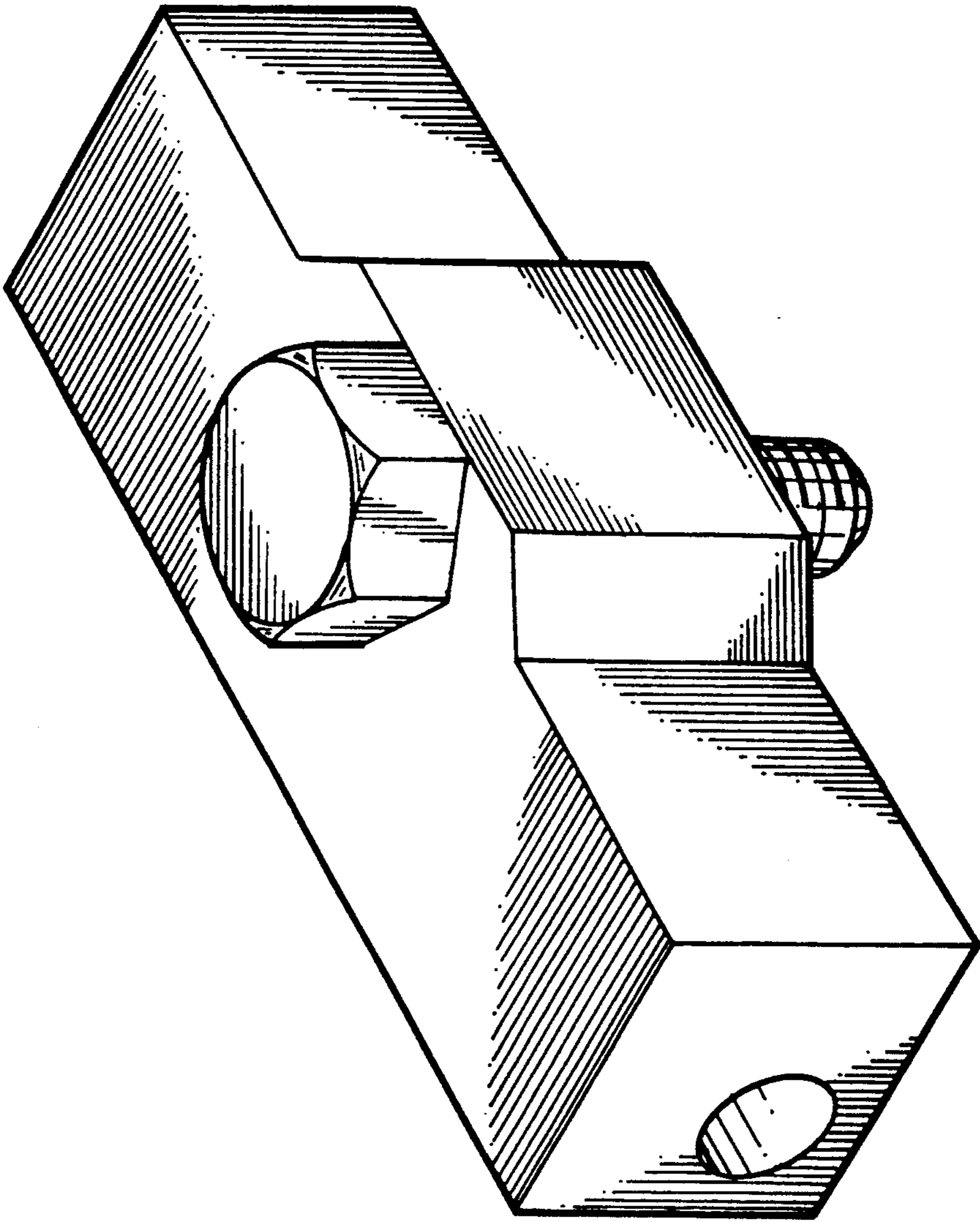


FIG. 6

**UNITED STATES PATENT AND TRADEMARK OFFICE
CERTIFICATE OF CORRECTION**

PATENT NO. : DES. 330,380

DATED : 10/20/92

INVENTOR(S) : Clayton D. Macomber

It is certified that error appears in the above-identified patent and that said Letters Patent is hereby corrected as shown below:

On the title page, Item [76], should read -- Clayton D. Macomber --.

**Signed and Sealed this
Twenty-third Day of March, 1993**

Attest:

STEPHEN G. KUNIN

Attesting Officer

Acting Commissioner of Patents and Trademarks