



US00D330365S

United States Patent [19]

[11] Patent Number: **Des. 330,365**

Endo et al.

[45] Date of Patent: **** Oct. 20, 1992**

[54] **ELECTRICAL CONNECTOR HOUSING**

[75] Inventors: **Takayoshi Endo; Sakai Yagi; Satoshi Yamada; Shinji Kodama**, all of Shizuoka, Japan

[73] Assignee: **Yazaki Corporation**, Tokyo, Japan

[**] Term: **14 Years**

[21] Appl. No.: **541,243**

[22] Filed: **Jun. 20, 1990**

[30] **Foreign Application Priority Data**

Jan. 5, 1990 [JP] Japan 2-000005

[52] U.S. Cl. **D13/133**

[58] Field of Search **D13/133, 146, 147; 439/282, 345, 350, 353, 354, 355, 357, 586, 587, 595, 596, 597, 598, 600, 680, 682, 752**

[56] **References Cited**

U.S. PATENT DOCUMENTS

D. 306,426	3/1990	Endo et al.	D13/133
D. 308,512	6/1990	Endo et al.	D13/133
D. 317,902	7/1991	Yagi et al.	D13/147
4,017,141	4/1977	Bury et al.	439/596
4,253,718	3/1981	Bungo	439/595
4,710,135	12/1987	Aoyama et al.	439/354
4,721,482	1/1988	Fukuda et al.	439/595

Primary Examiner—Wallace R. Burke

Assistant Examiner—Joel Sincavage
Attorney, Agent, or Firm—Nikaido, Marmelstein, Murray & Oram

[57] **CLAIM**

The ornamental design for an electrical connector housing, as shown and described.

DESCRIPTION

FIG. 1 is a top plan view of an electrical connector housing showing my new design;
 FIG. 2 is a front elevational view thereof;
 FIG. 3 is a bottom plan view thereof;
 FIG. 4 is a right side elevational view thereof, the left side elevational view thereof being a mirror image;
 FIG. 5 is a rear elevational view thereof;
 FIG. 6 is a cross-sectional view thereof taken along line 6—6 of FIG. 2;
 FIG. 7 is a cross-sectional view thereof taken along line 7—7 of FIG. 2;
 FIG. 8 is a cross-sectional view thereof taken along line 8—8 of FIG. 4;
 FIG. 9 is a cross-sectional view thereof taken along line 6—6 of FIG. 2 shown in a manner of use; and,
 FIG. 10 is a rear and upper left perspective view thereof shown in a manner of use.
 The broken line showing in FIGS. 9 and 10 is included for the prpose of illustrating environmental elements only and forms no part of the claimed design.

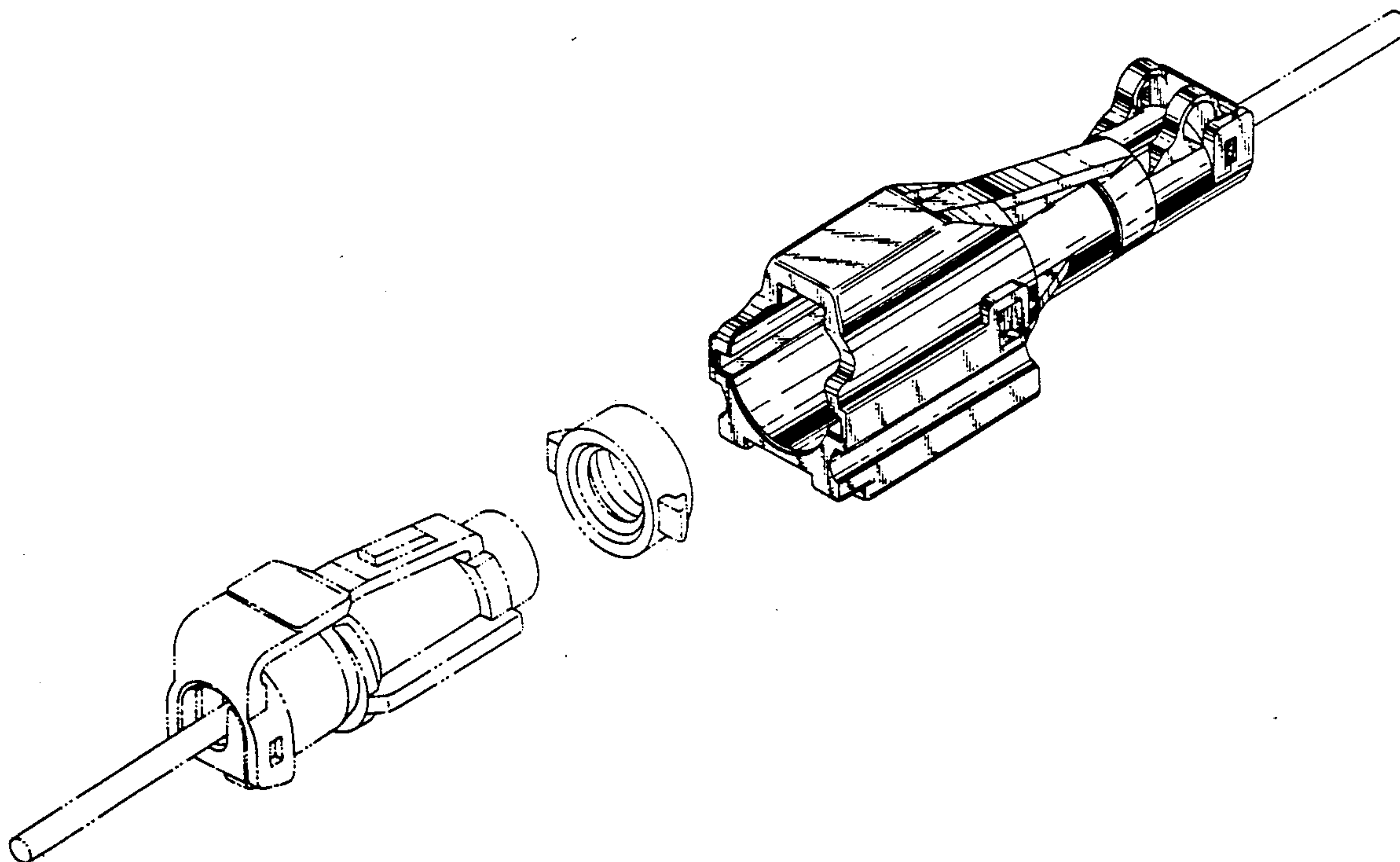


FIG. 1

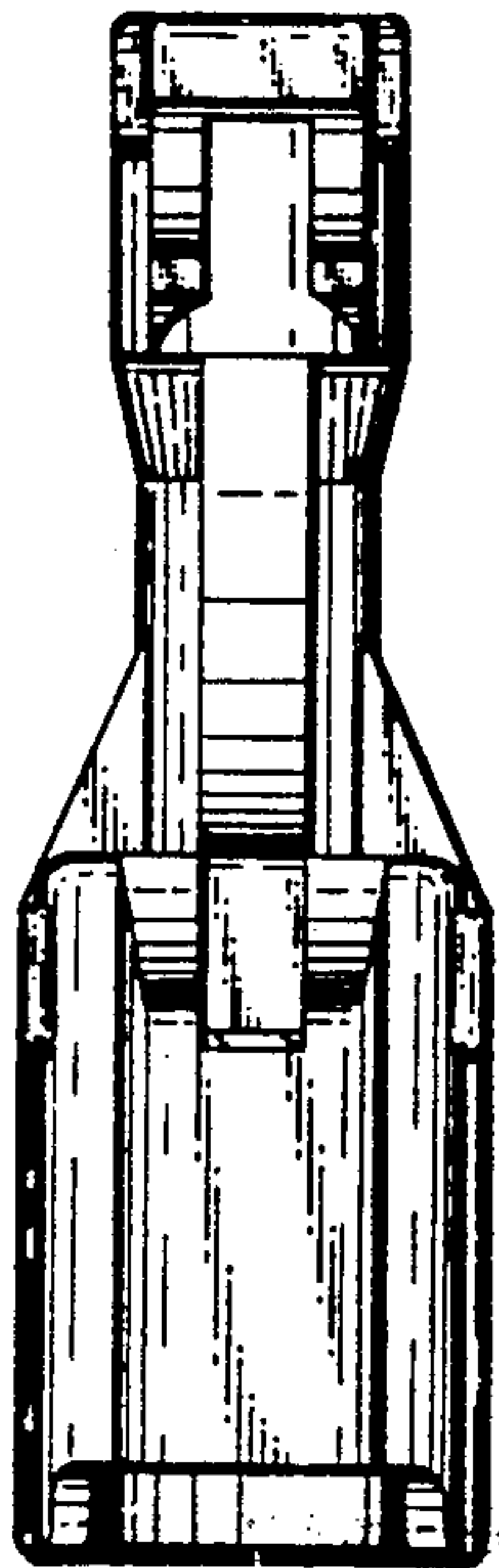


FIG. 3

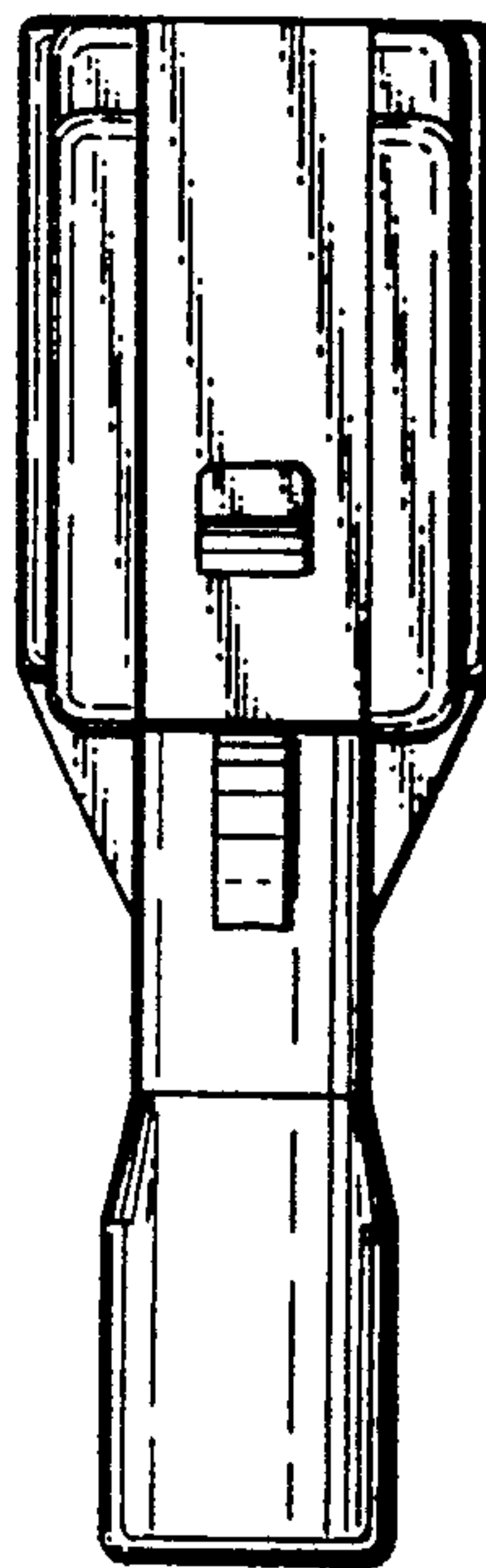


FIG. 2

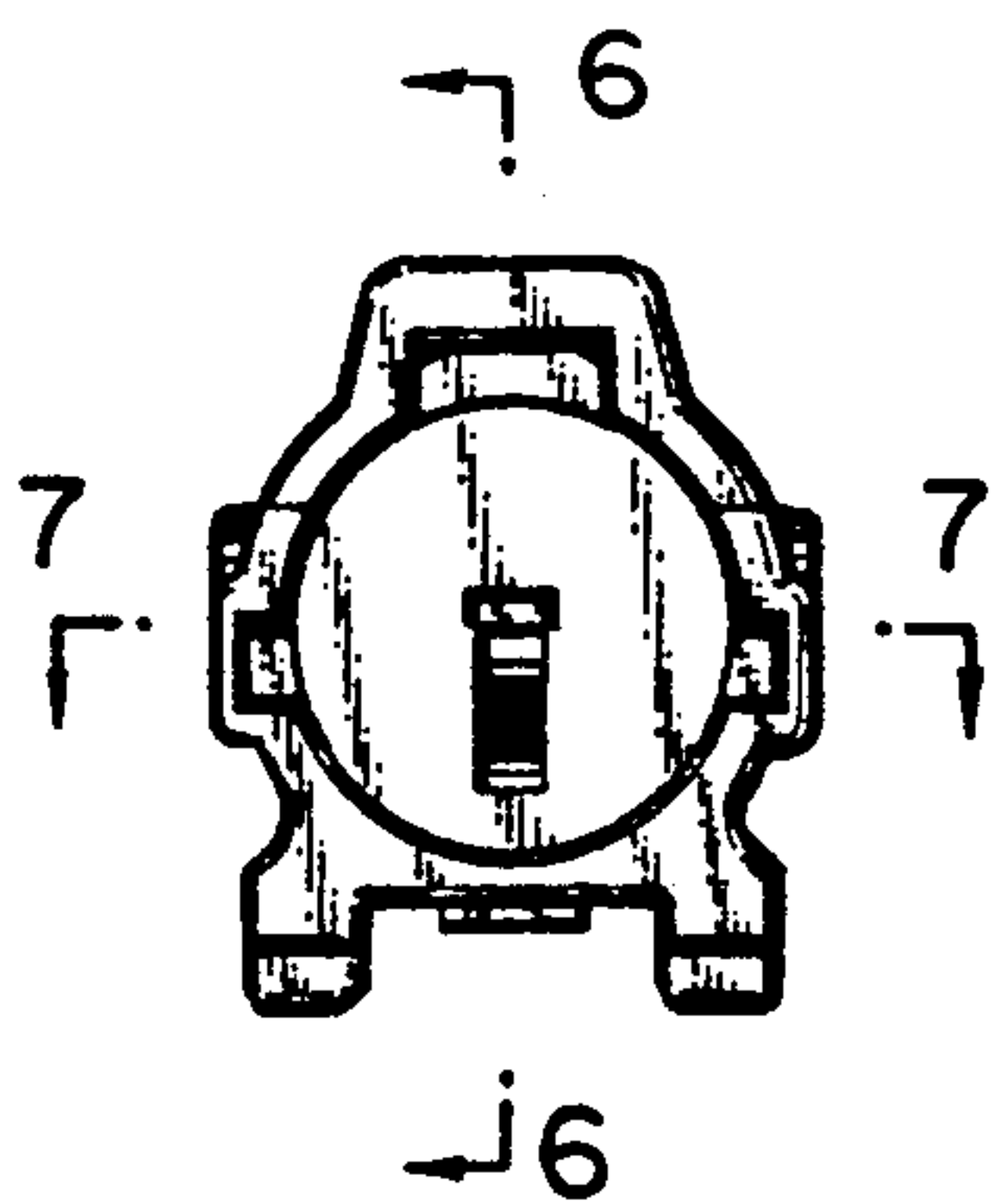


FIG. 4

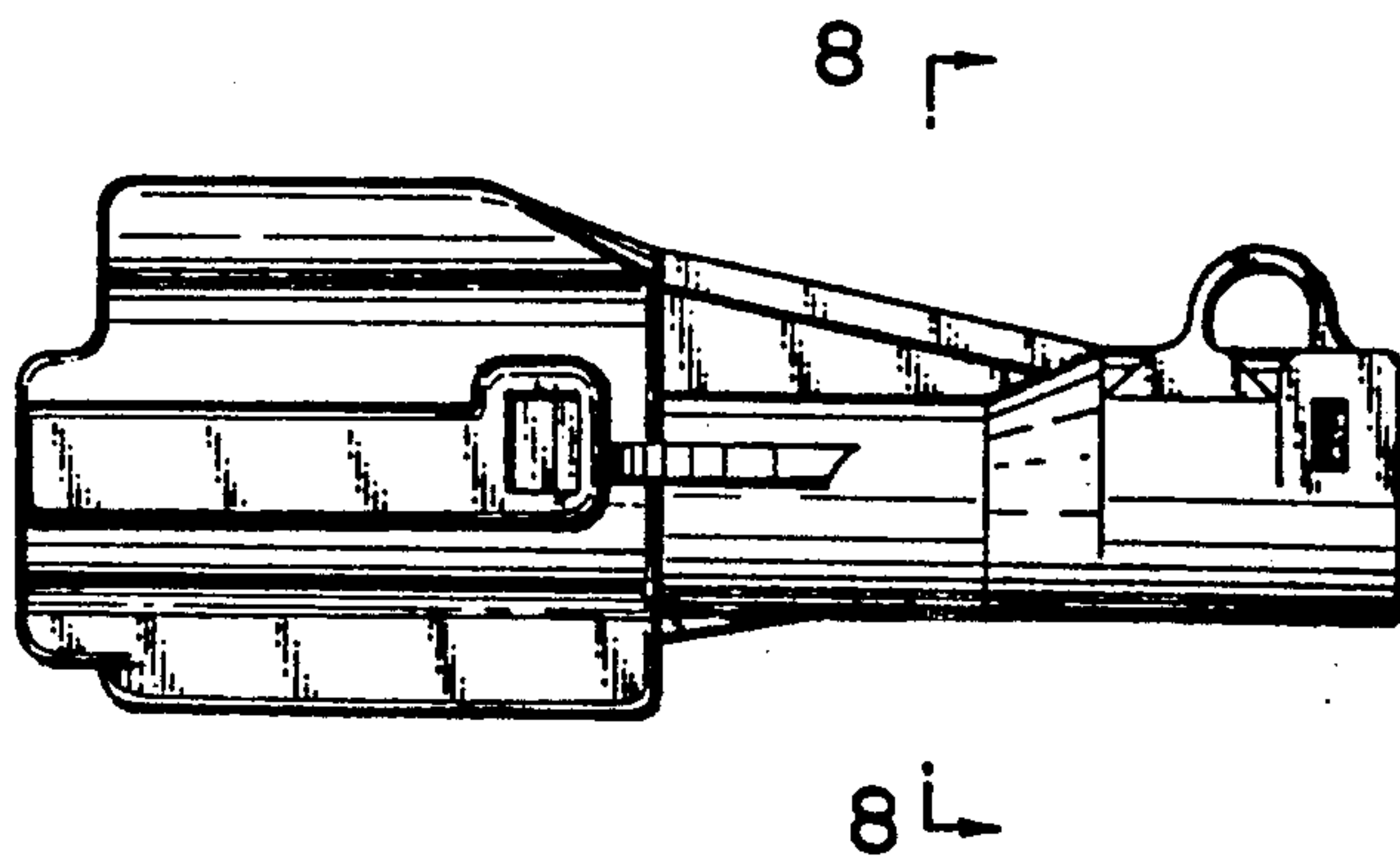


FIG. 5

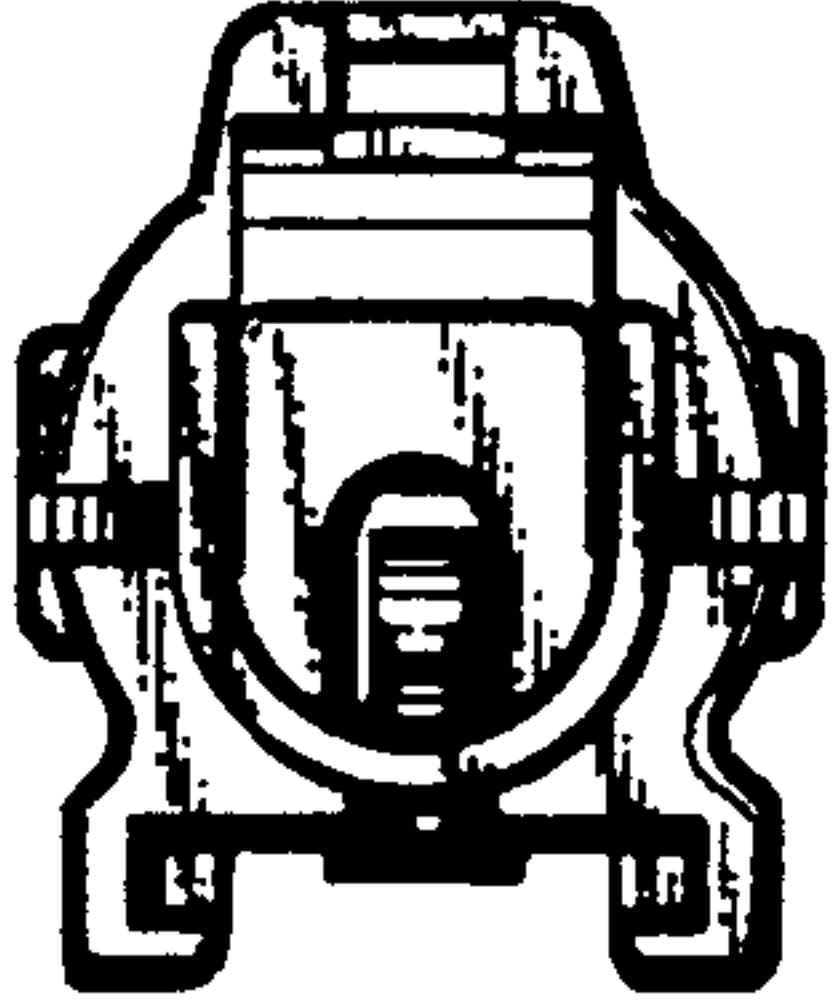


FIG. 6

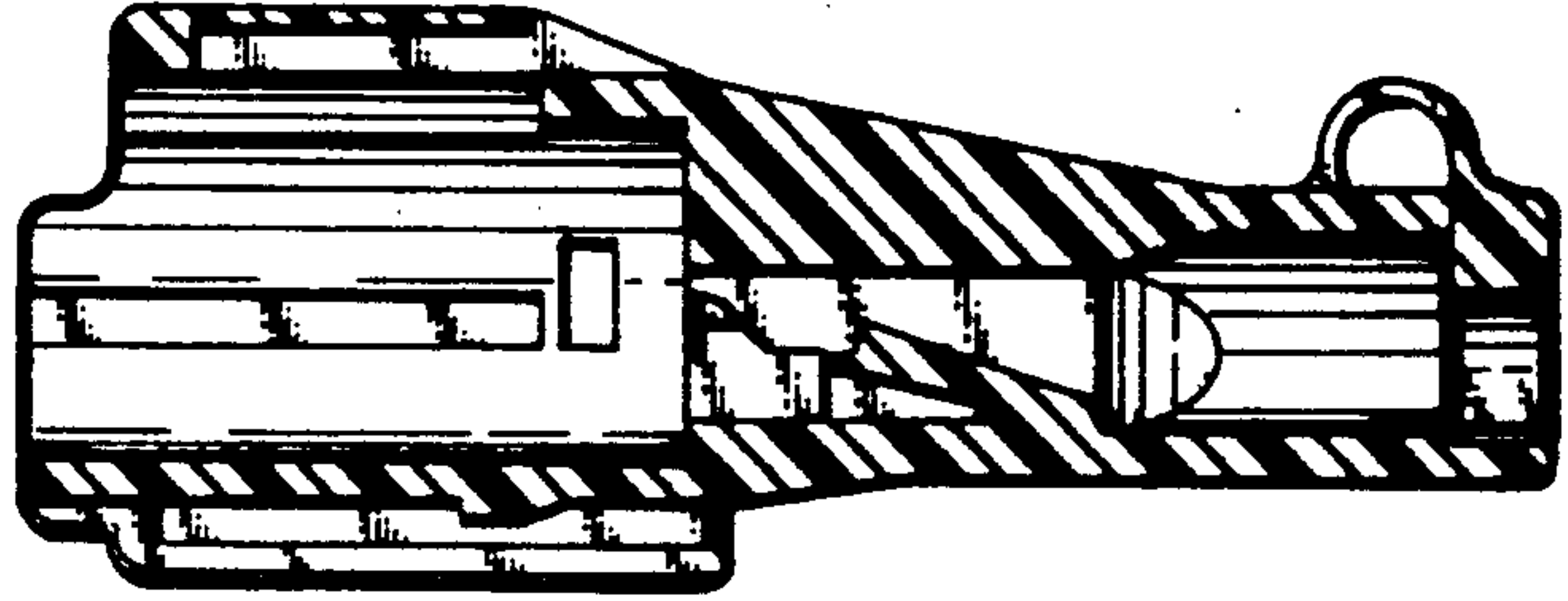


FIG. 7

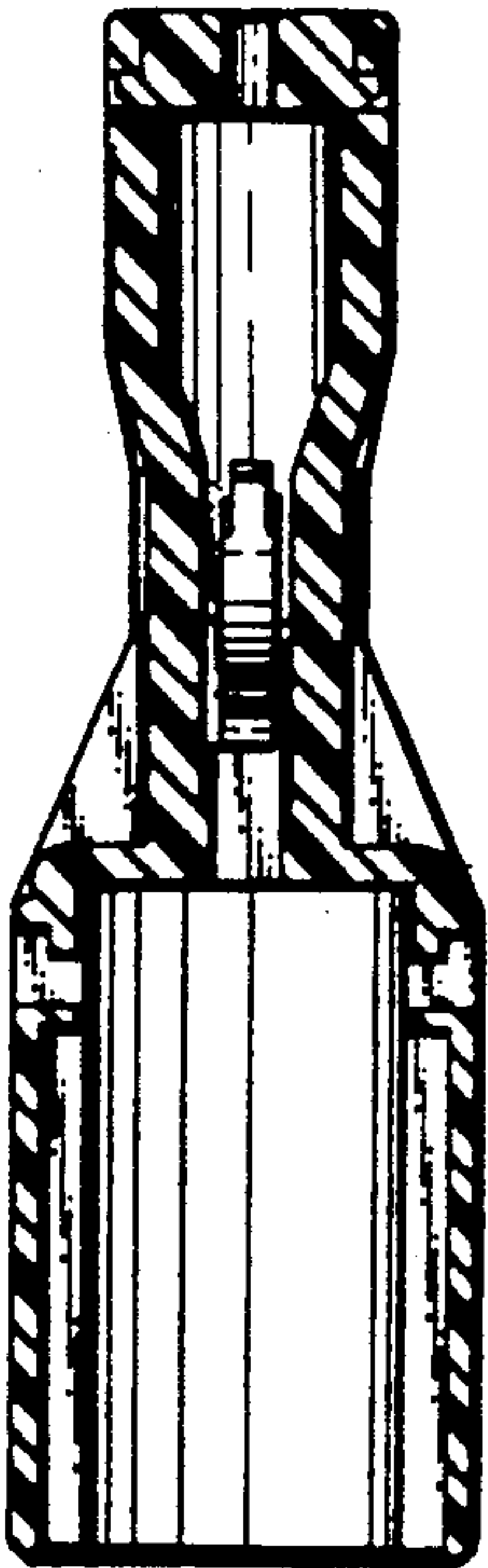
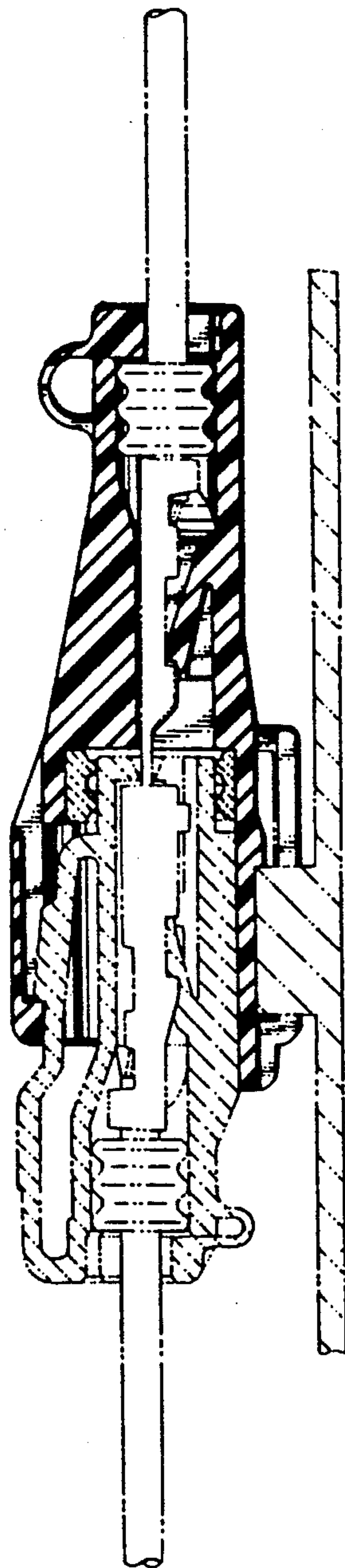


FIG. 8



FIG. 9



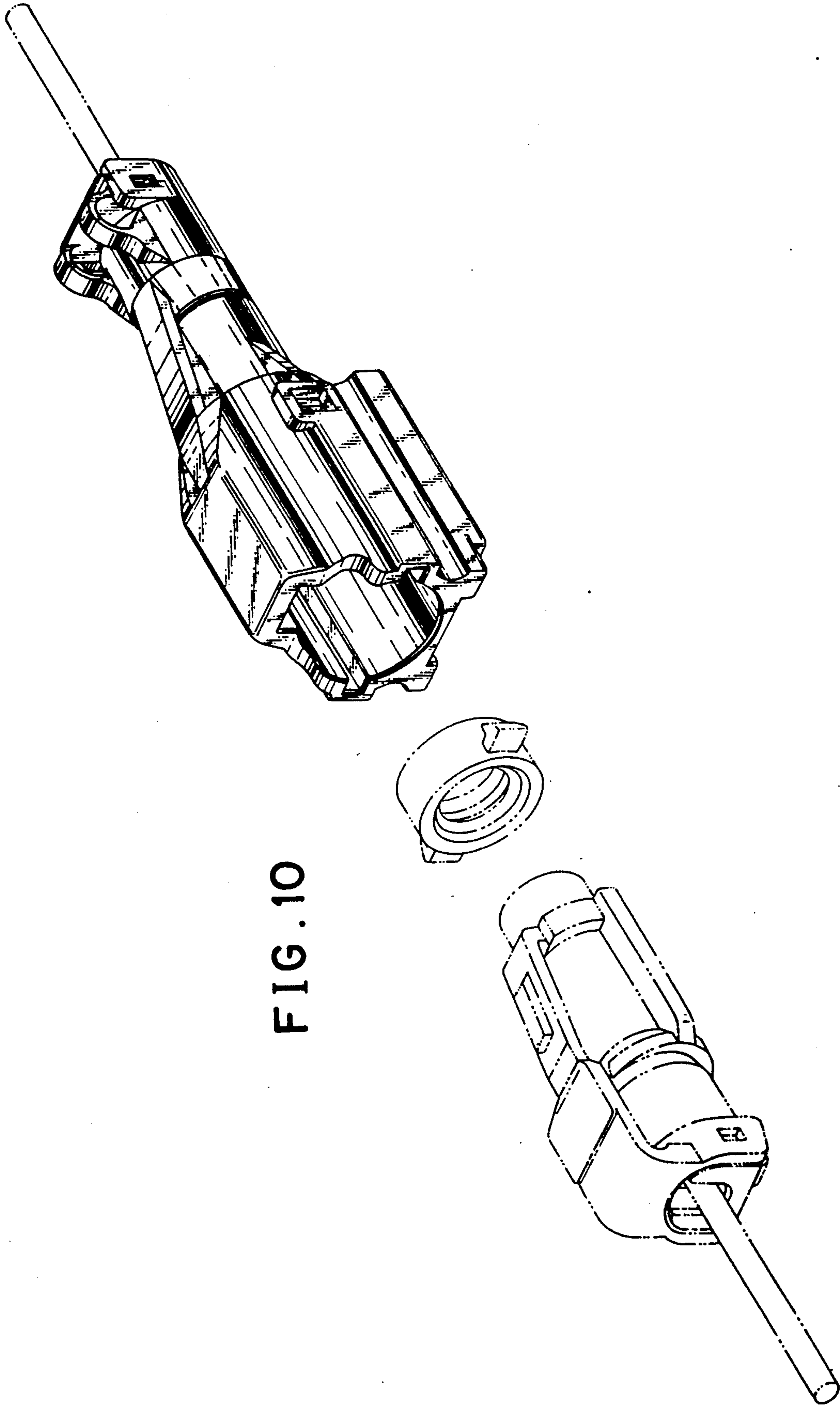


FIG. 10