



US00D330359S

United States Patent [19]

Addeo et al.

[11] Patent Number: **Des. 330,359**

[45] Date of Patent: **** Oct. 20, 1992**

[54] **AUTOMOTIVE WINDSHIELD VISOR**

[75] Inventors: **Christopher R. Addeo**, Union;
Kenneth C. Whitaker, Dayton, both
of Ohio

[73] Assignee: **Fiberglass Design Inc.**, Dayton, Ohio

[**] Term: **14 Years**

[21] Appl. No.: **775,066**

[22] Filed: **Oct. 11, 1991**

[52] U.S. Cl. **D12/191**

[58] Field of Search **D12/191; 296/95.1;**
160/370.2, DIG. 3

D. 303,239 9/1989 Gempel et al. **D12/191**
4,726,619 2/1988 Haugestad **D12/191**

Primary Examiner—James M. Gandy
Attorney, Agent, or Firm—Joseph G. Nauman

[57] **CLAIM**

The ornamental design for an automotive windshield visor, as shown and described.

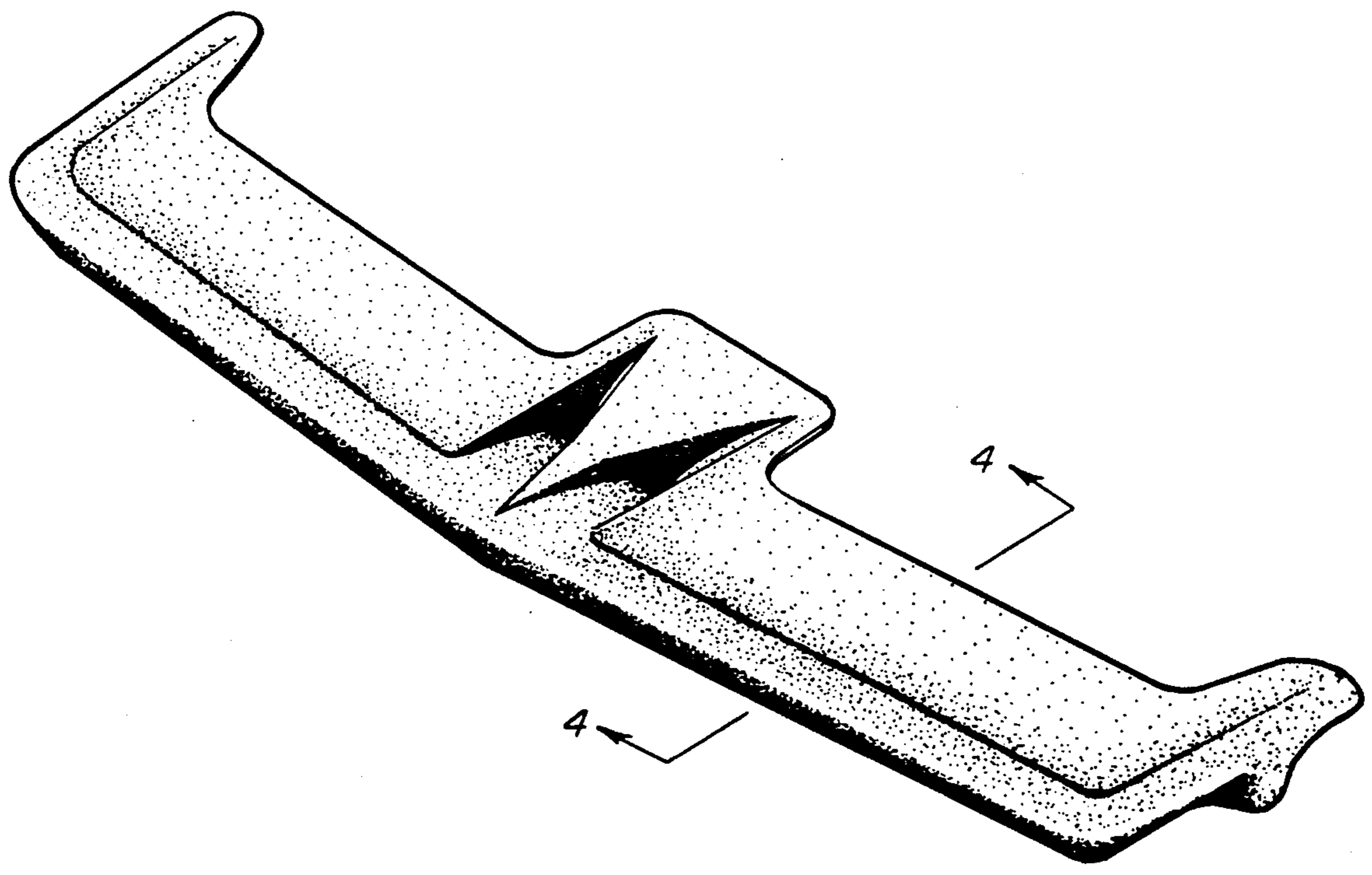
DESCRIPTION

FIG. 1 is a perspective view of an automotive windshield visor showing my new design;
FIG. 2 is a slightly enlarged end elevation view thereof, the opposite end being a mirror image of that shown;
FIG. 3 is a slightly enlarged front elevation view thereof;
FIG. 4 is a greatly enlarged cross-sectional view thereof taken along line 4—4 of FIG. 1; and,
FIG. 5 is an enlarged bottom plan view thereof.

[56] **References Cited**

U.S. PATENT DOCUMENTS

D. 288,309 2/1987 Lund **D12/191**
D. 291,295 8/1987 Lund **D12/191**



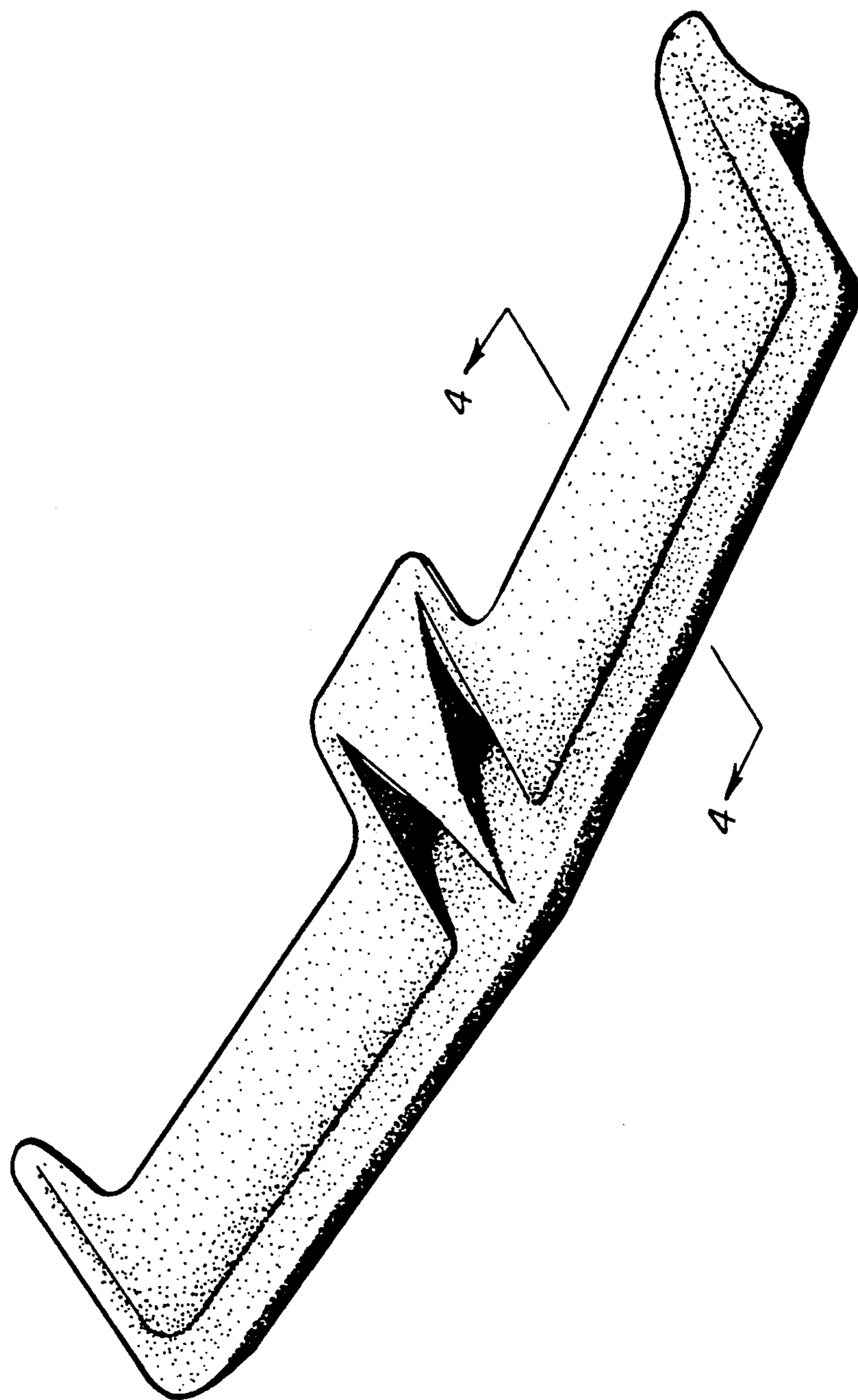


FIG-1

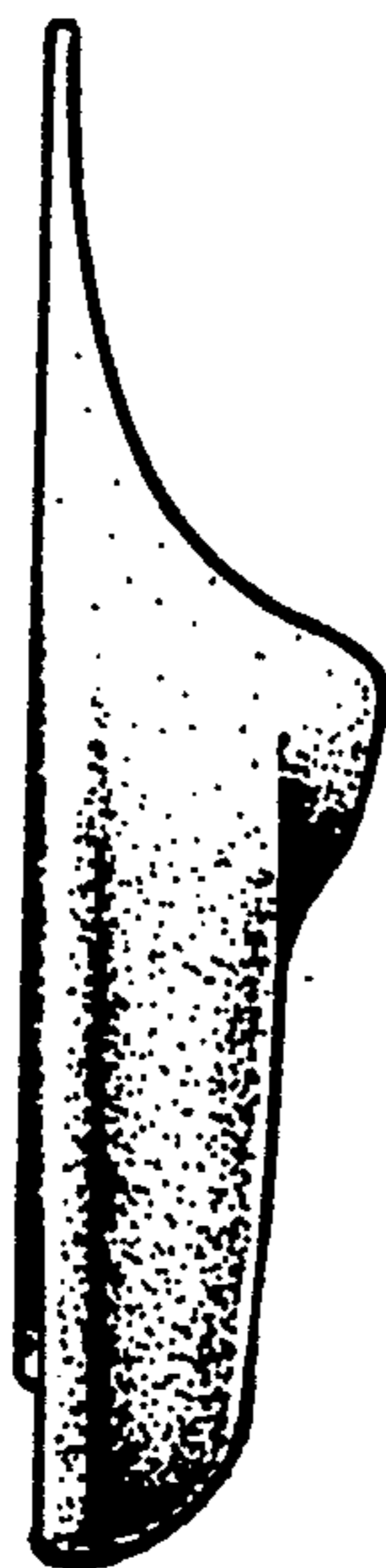


FIG-2



FIG-3

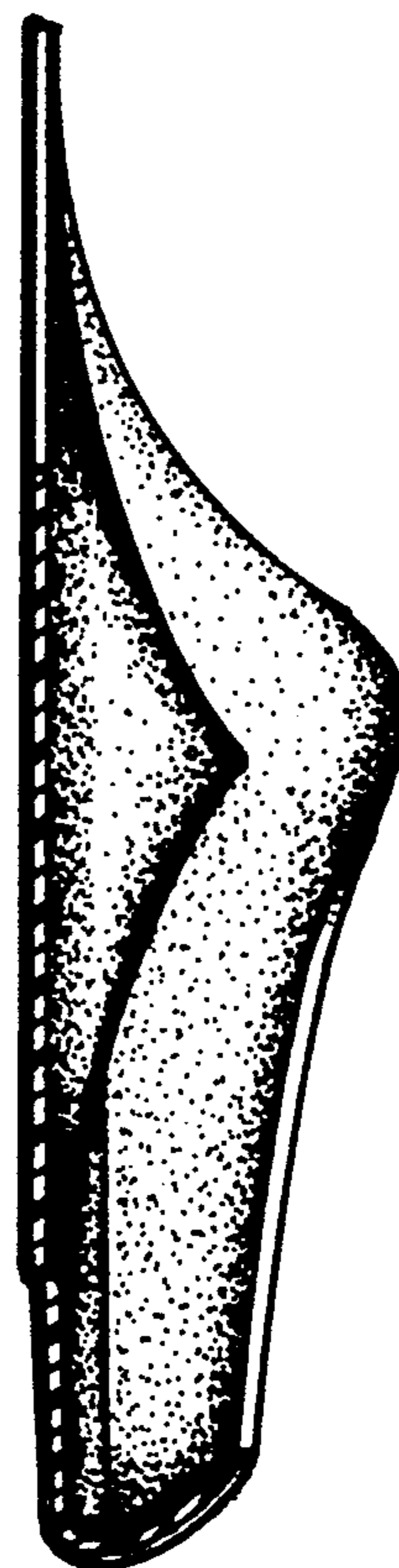


FIG-4

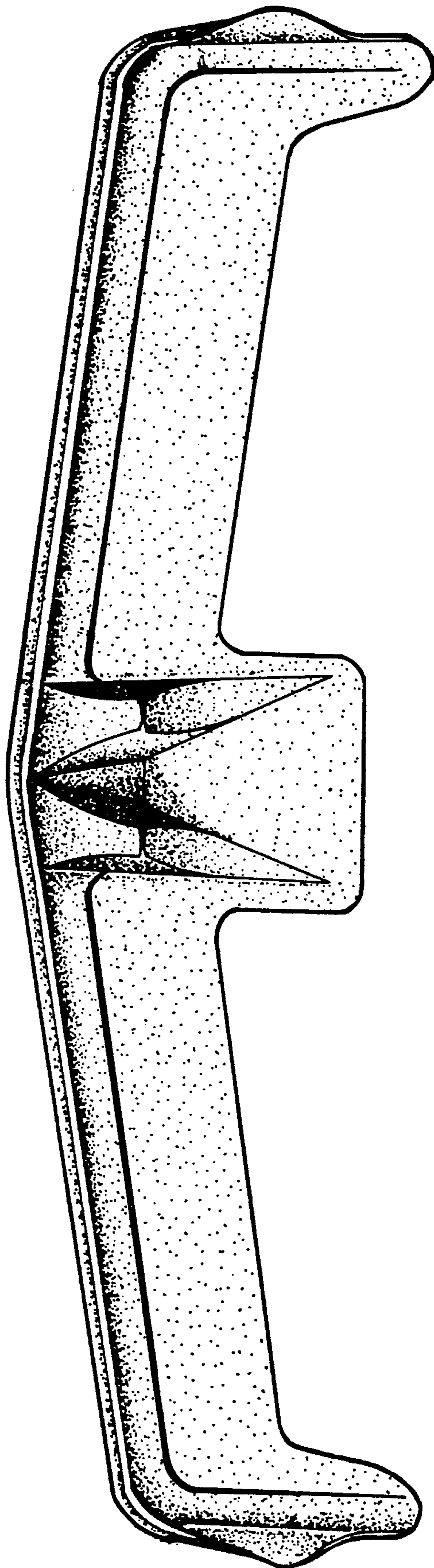


FIG - 5