



US00D330354S

United States Patent [19]

Ogden

[11] Patent Number: Des. 330,354

[45] Date of Patent: ** Oct. 20, 1992

[54] BICYCLE FRAME

[76] Inventor: John H. Ogden, 3801 W. Bloomfield, Phoenix, Ariz. 85029

[**] Term: 14 Years

[21] Appl. No.: 371,405

[22] Filed: Jun. 26, 1989

[52] U.S. Cl. D12/111

[58] Field of Search D12/111; 280/281.1, 280/288.1, 288.2, 288.3, 284

[56] **References Cited**

U.S. PATENT DOCUMENTS

- D. 289,867 5/1987 Tratner D12/111
- 3,151,878 10/1964 Uncles D12/111

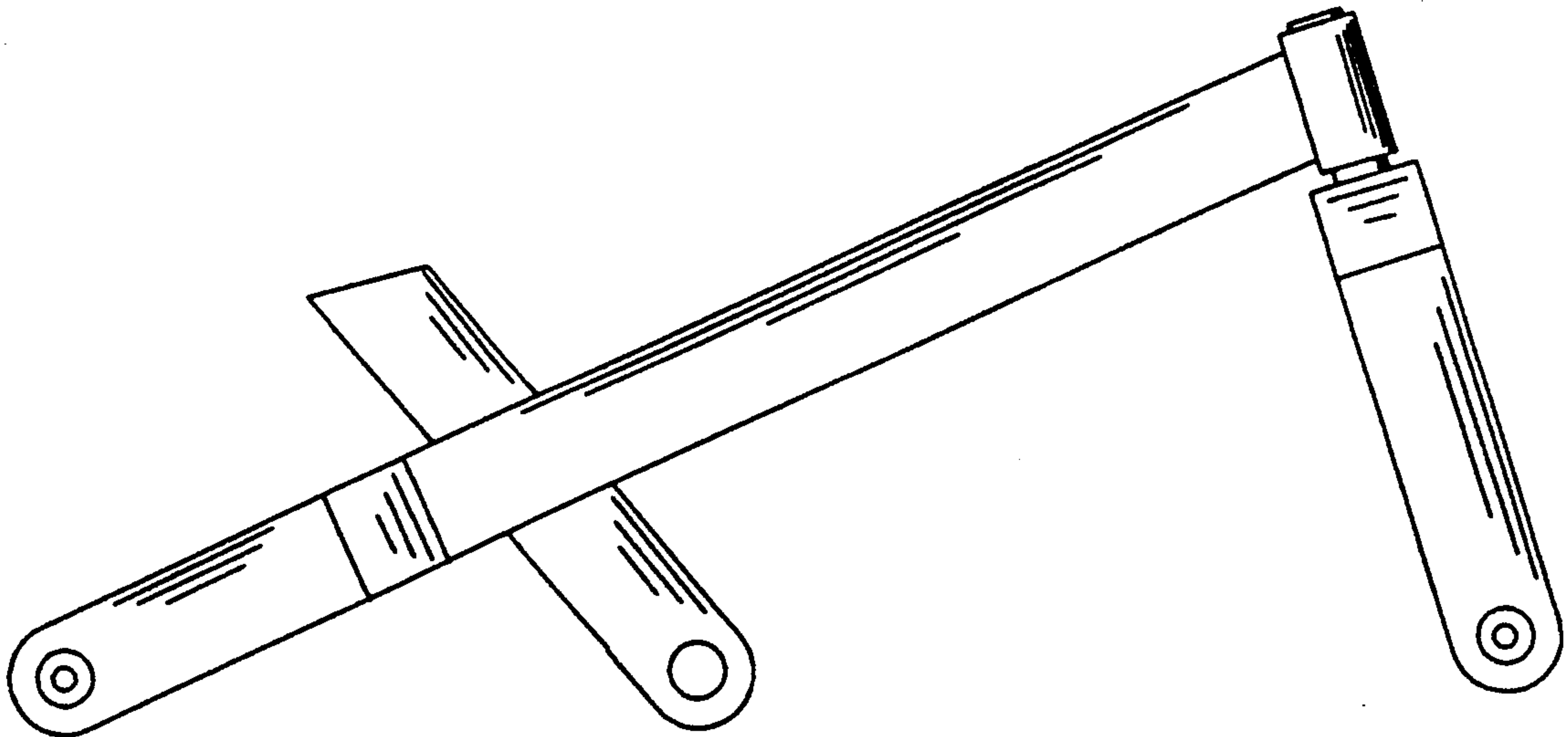
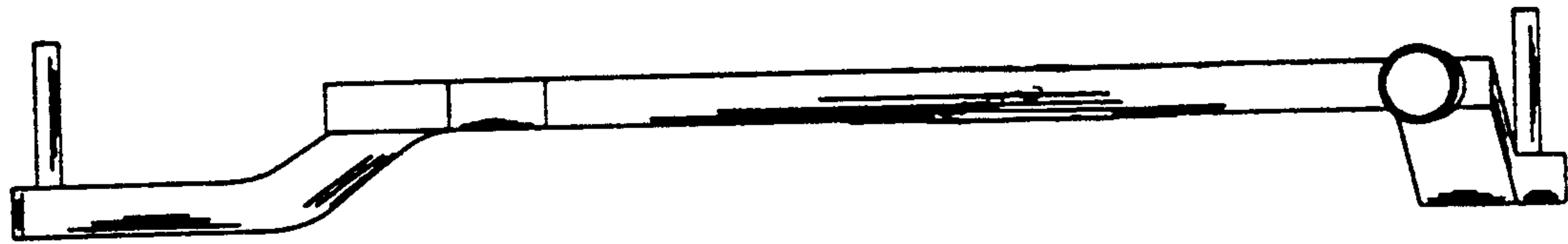
Primary Examiner—James M. Gandy
Assistant Examiner—Melody Brown

[57] **CLAIM**

The ornamental design for a bicycle frame, as shown and described.

DESCRIPTION

FIG. 1 is a top plan view of a bicycle frame showing my new design;
FIG. 2 is a right side elevation view thereof;
FIG. 3 is a front elevation view thereof;
FIG. 4 is a right side elevation view thereof, it being understood that the broken lines are for illustrative purposes only, and form part of the claimed design; and,
FIG. 5 is a left side elevation view of FIG. 4.



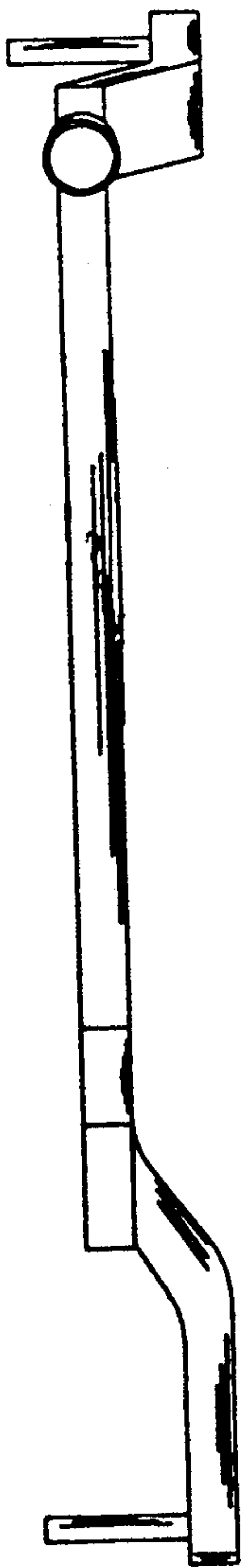


figure 1



figure 3

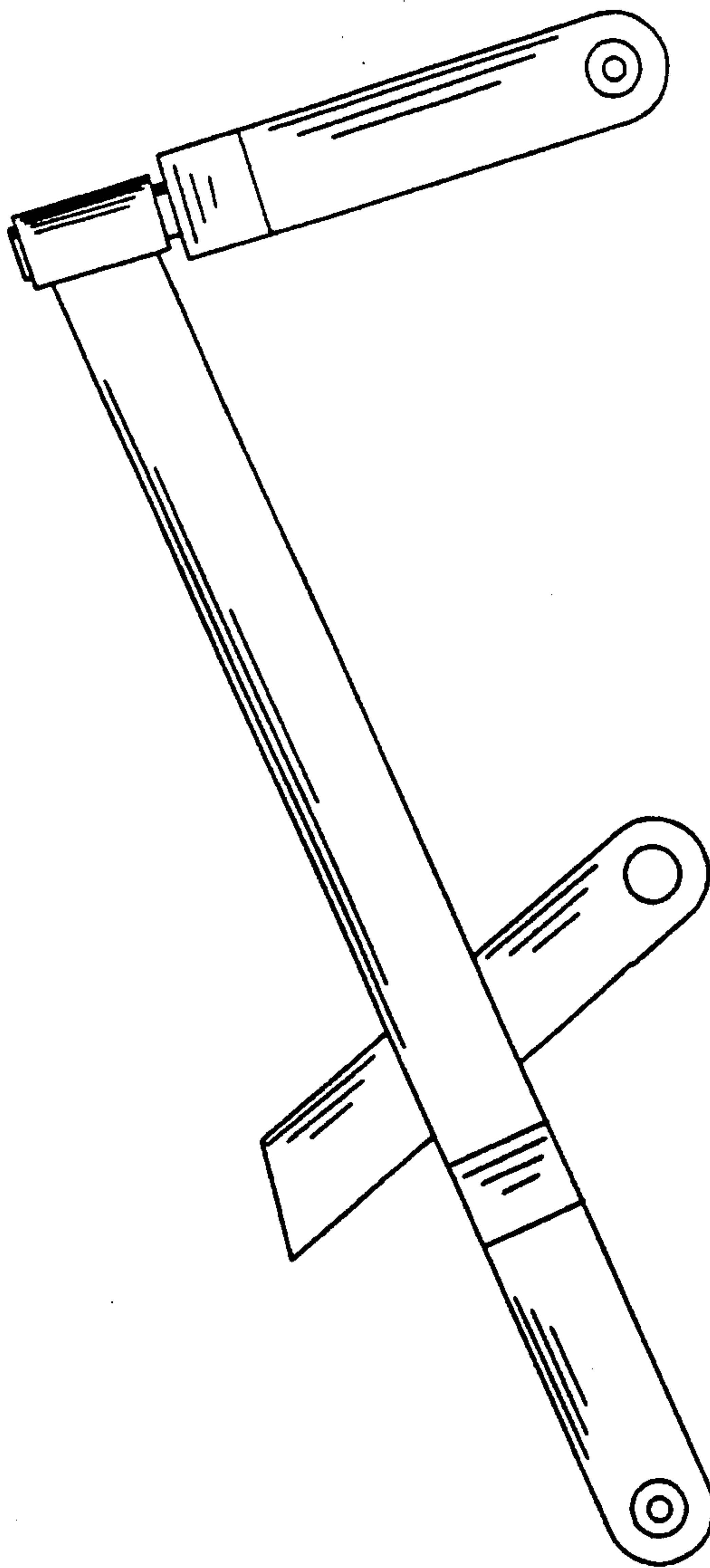


figure 2

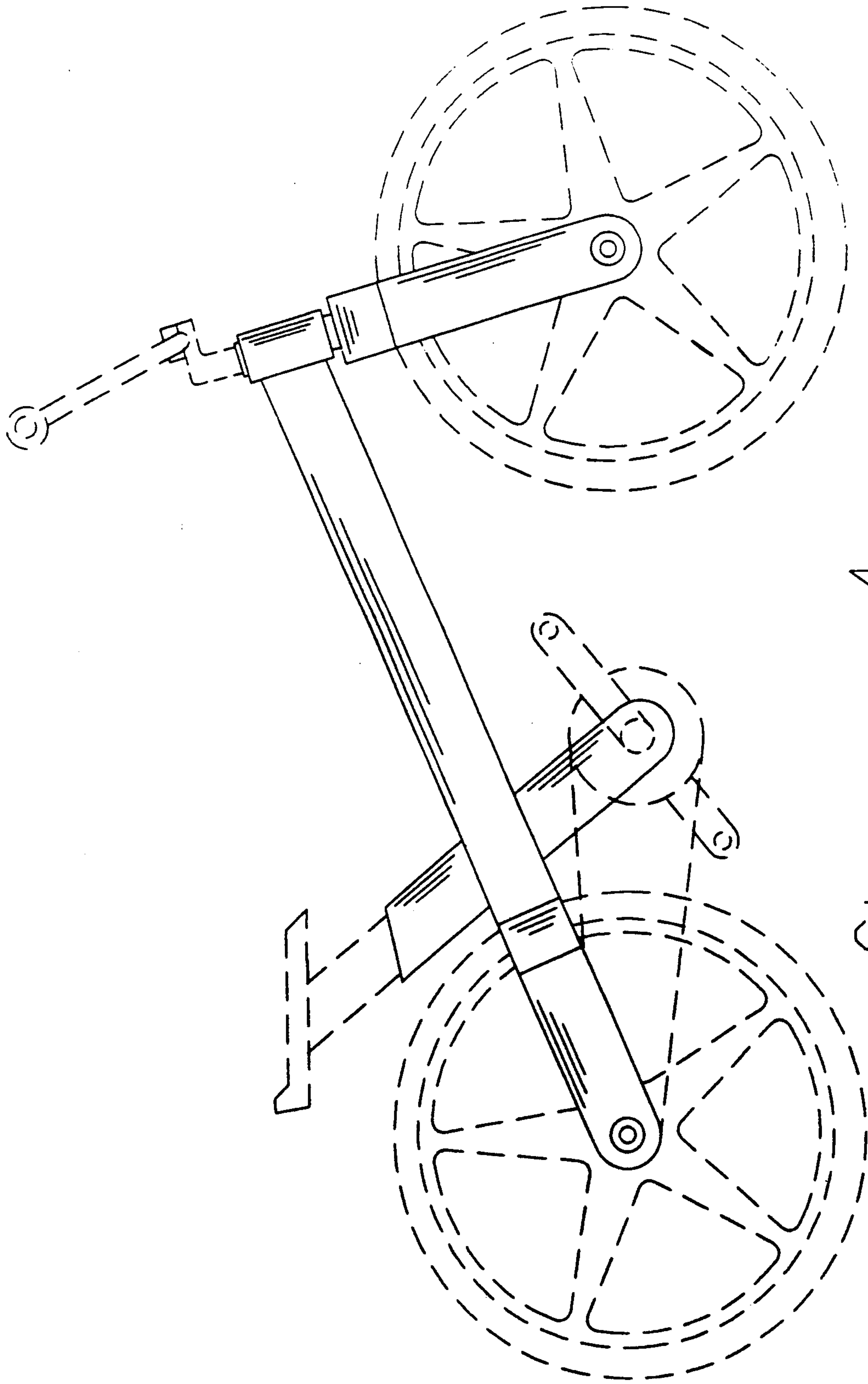


figure 4

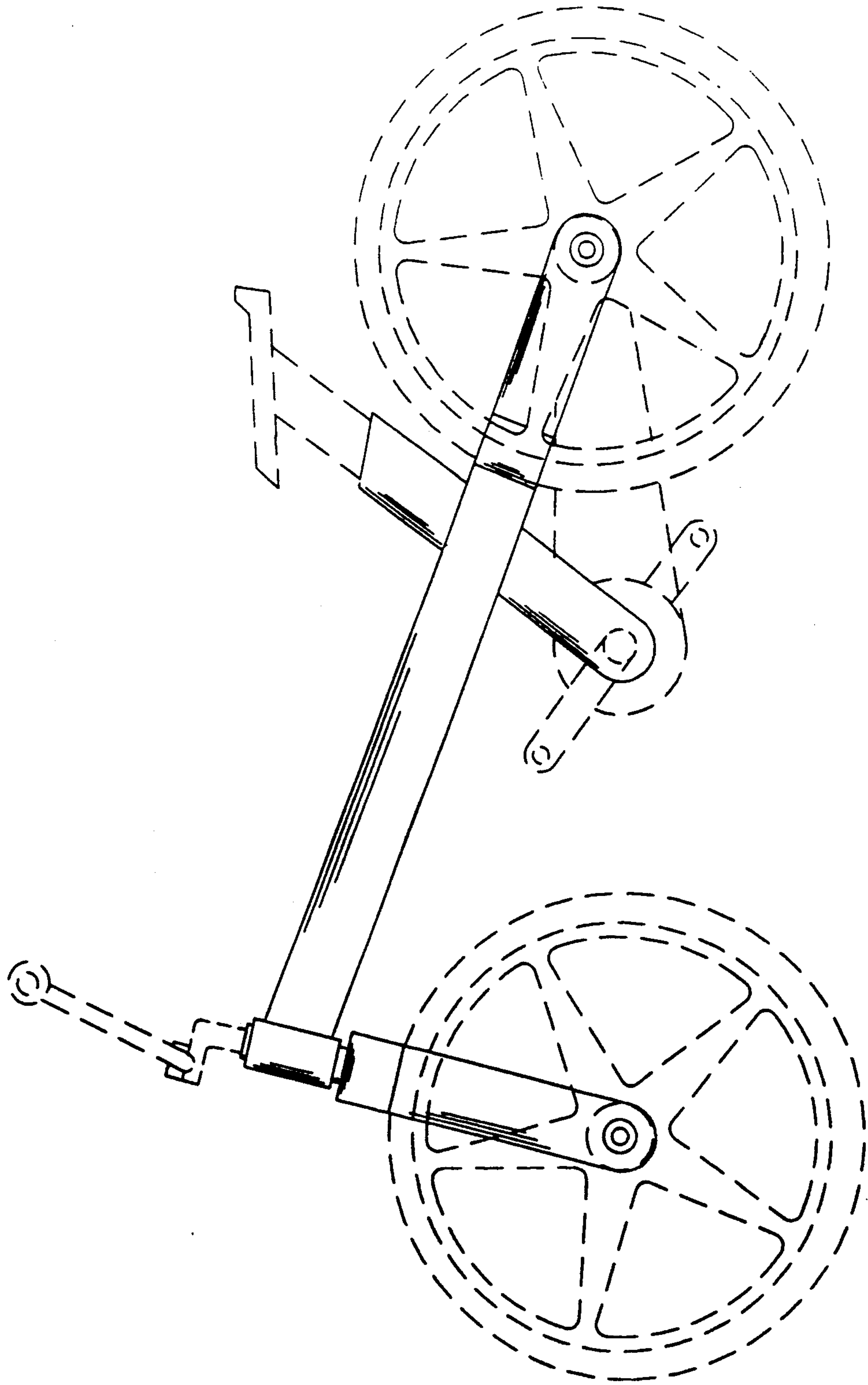


figure 5