



US00D330351S

United States Patent [19]
Gatlin

[11] **Patent Number: Des. 330,351**

[45] **Date of Patent: ** Oct. 20, 1992**

[54] **PAIR OF TRUCK SIDE PANELS**

[76] **Inventor: William Gatlin, 3824 Swann Ave., Tampa, Fla. 33609**

[**] **Term: 14 Years**

[21] **Appl. No.: 563,973**

[22] **Filed: Aug. 7, 1990**

[52] **U.S. Cl. D12/98**

[58] **Field of Search D12/98, 155, 156, 190; D21/71; 296/3, 10, 26, 99.1, 100, 102**

[56] **References Cited**

U.S. PATENT DOCUMENTS

2,766,062	10/1956	Martin	296/10
3,047,161	7/1962	Thacker	212/59
3,861,736	1/1975	Rosler	296/28
4,438,968	3/1984	Worthing	296/1 R
4,585,264	4/1986	Miller	296/3
4,703,969	11/1987	Rayburn et al.	296/3
4,703,971	11/1987	Schmeichel et al.	296/10

*Primary Examiner—James M. Gandy
Attorney, Agent, or Firm—Terry M. Gernstein*

[57] **CLAIM**

The ornamental design for a pair of truck side panels, as shown and described.

DESCRIPTION

FIG. 1 is a perspective view of a pair of truck side panels showing my new design it being understood that the broken lines are for illustrative purposes only and form no part of the claimed design;

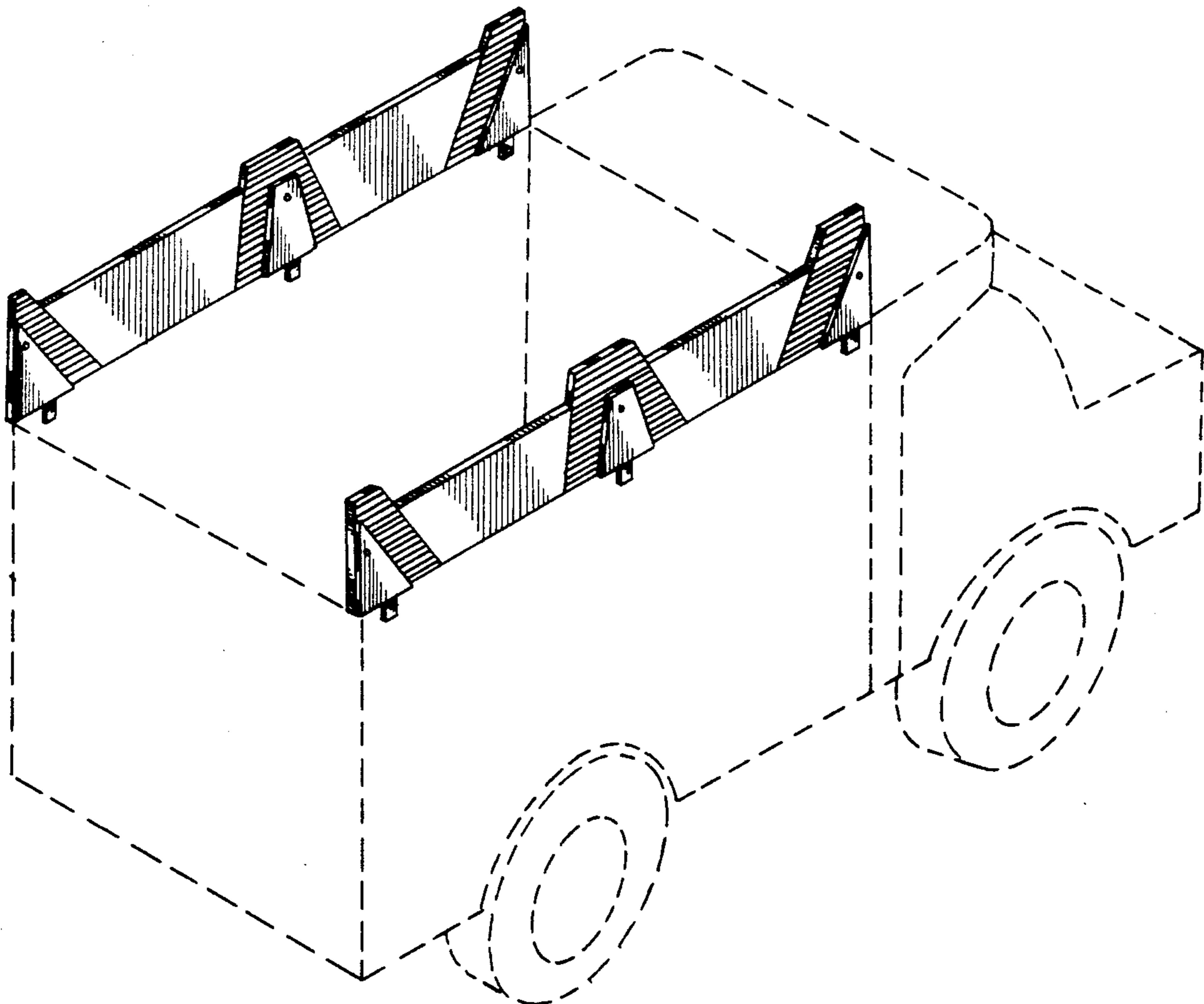
FIG. 2 is an enlarged elevational view of either of the side panels thereof, the opposite end being a mirror image of that shown;

FIG. 3 is a front elevational view of either one of the side panels on a slightly enlarged scale;

FIG. 4 is a rear elevational view of either one of the side panels on a slightly enlarged scale;

FIG. 5 is an enlarged top plan view of either one of the side panels; and,

FIG. 6 is an enlarged bottom view of either one of the side panels.



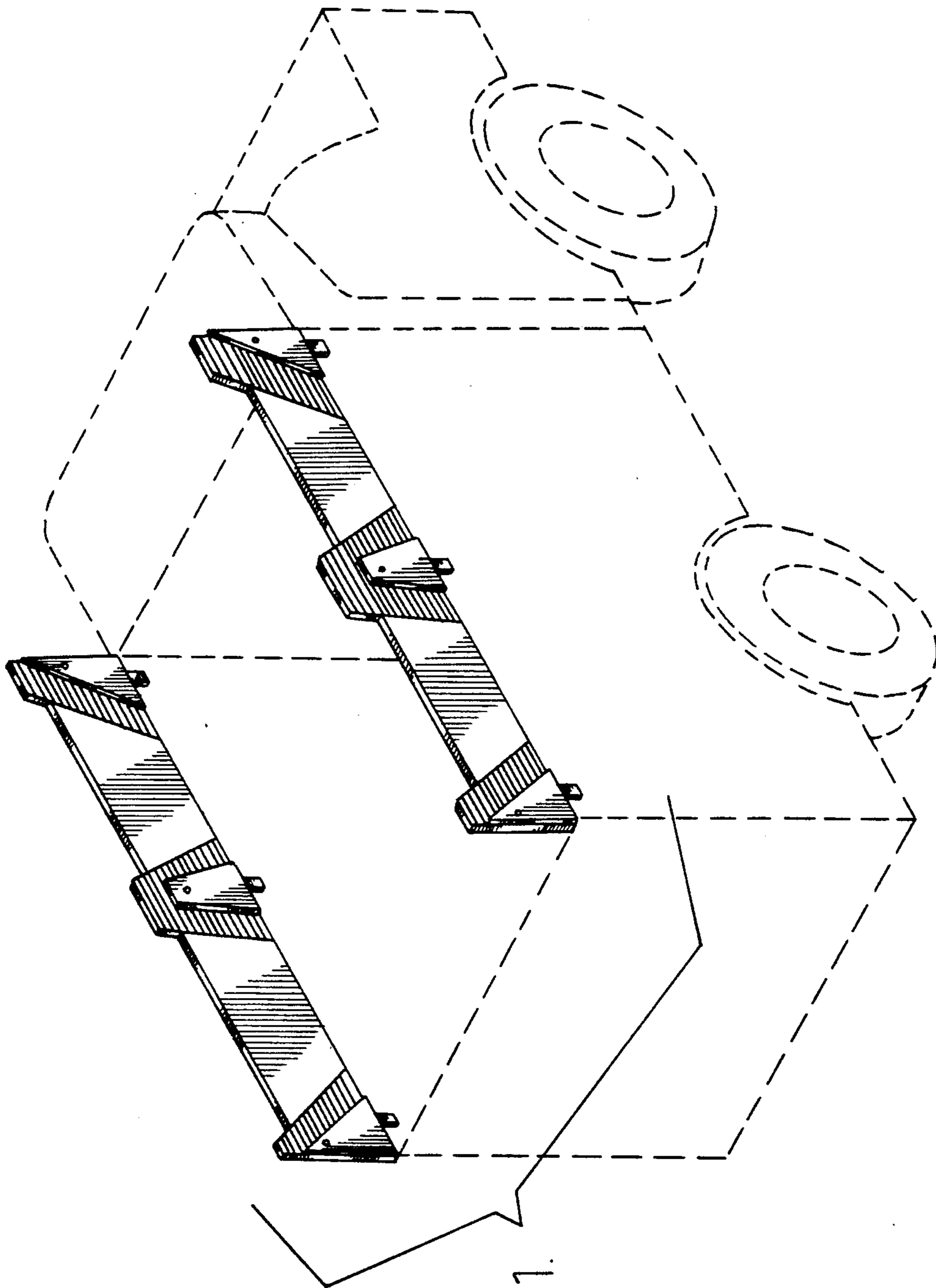


FIG. 1.

FIG. 3.

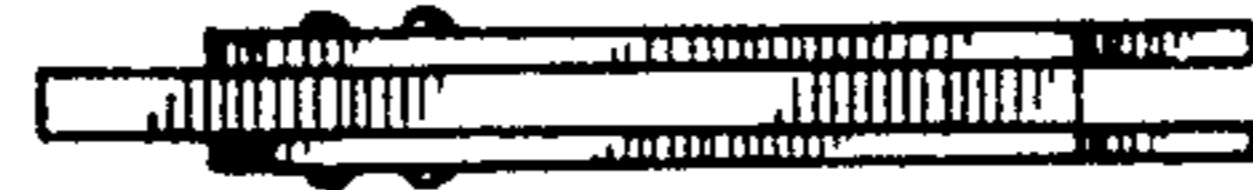
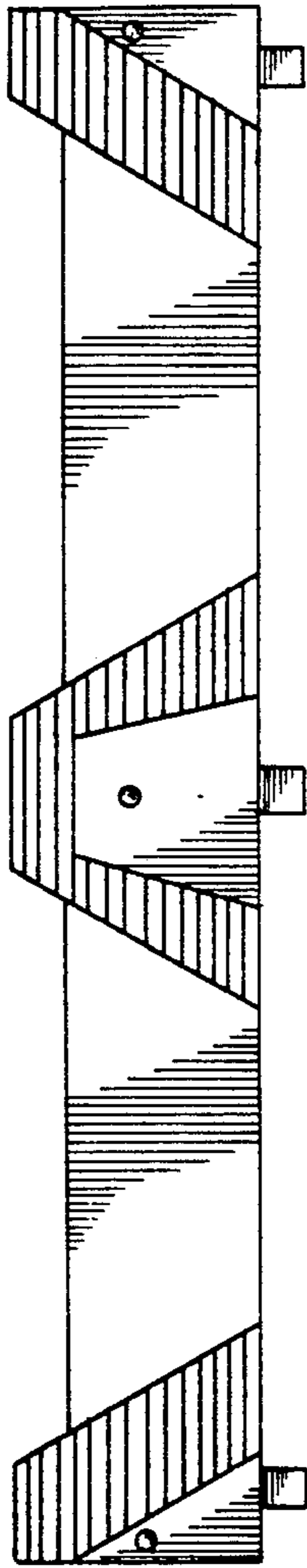


FIG. 2.

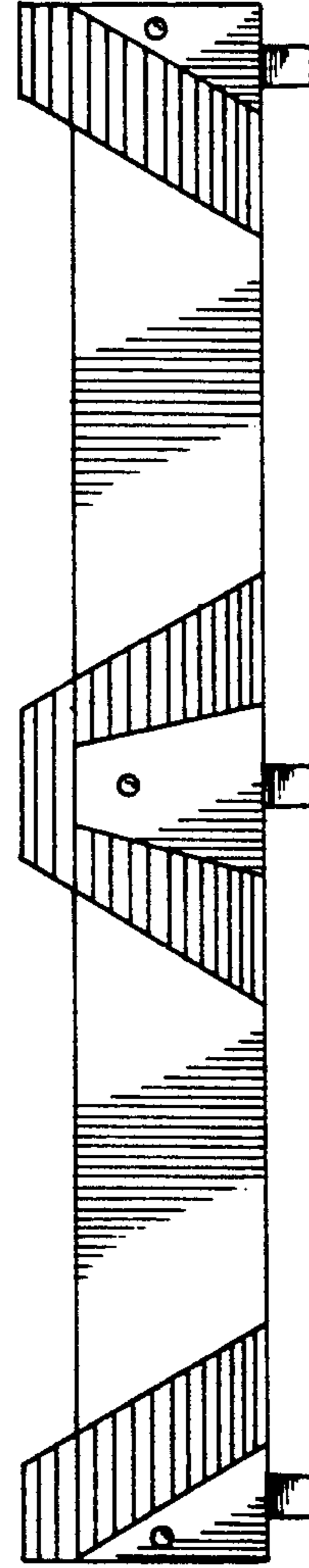


FIG. 4.

FIG. 5.

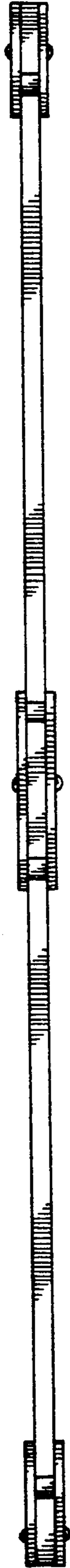


FIG. 6.

