



US00D330346S

United States Patent [19]

[11] Patent Number: **Des. 330,346**

Bryand

[45] Date of Patent: **** Oct. 20, 1992**

[54] **CHRISTMAS TREE STAND**
 [75] Inventor: **Edward T. Bryand, Ft. Myers Beach, Fla.**
 [73] Assignee: **EFX Corporation, Ft. Myers Beach, Fla.**
 [**] Term: **14 Years**
 [21] Appl. No.: **511,518**
 [22] Filed: **Apr. 20, 1990**
 [52] U.S. Cl. **D11/130.1**
 [58] Field of Search **D11/130.1; 47/40.5, 47/42; 248/519**

D. 166,892 5/1952 Vigna D11/130.1
 1,642,231 9/1927 Dover D11/130.1 X
 2,001,646 5/1935 Abitsch 248/519 X
 2,242,270 5/1941 Sims 47/40.5
 3,715,095 2/1973 Drablowksi 47/40.5

Primary Examiner—Bernard Ansher
Assistant Examiner—Dominic Simone
Attorney, Agent, or Firm—Davis, Bujold & Streck

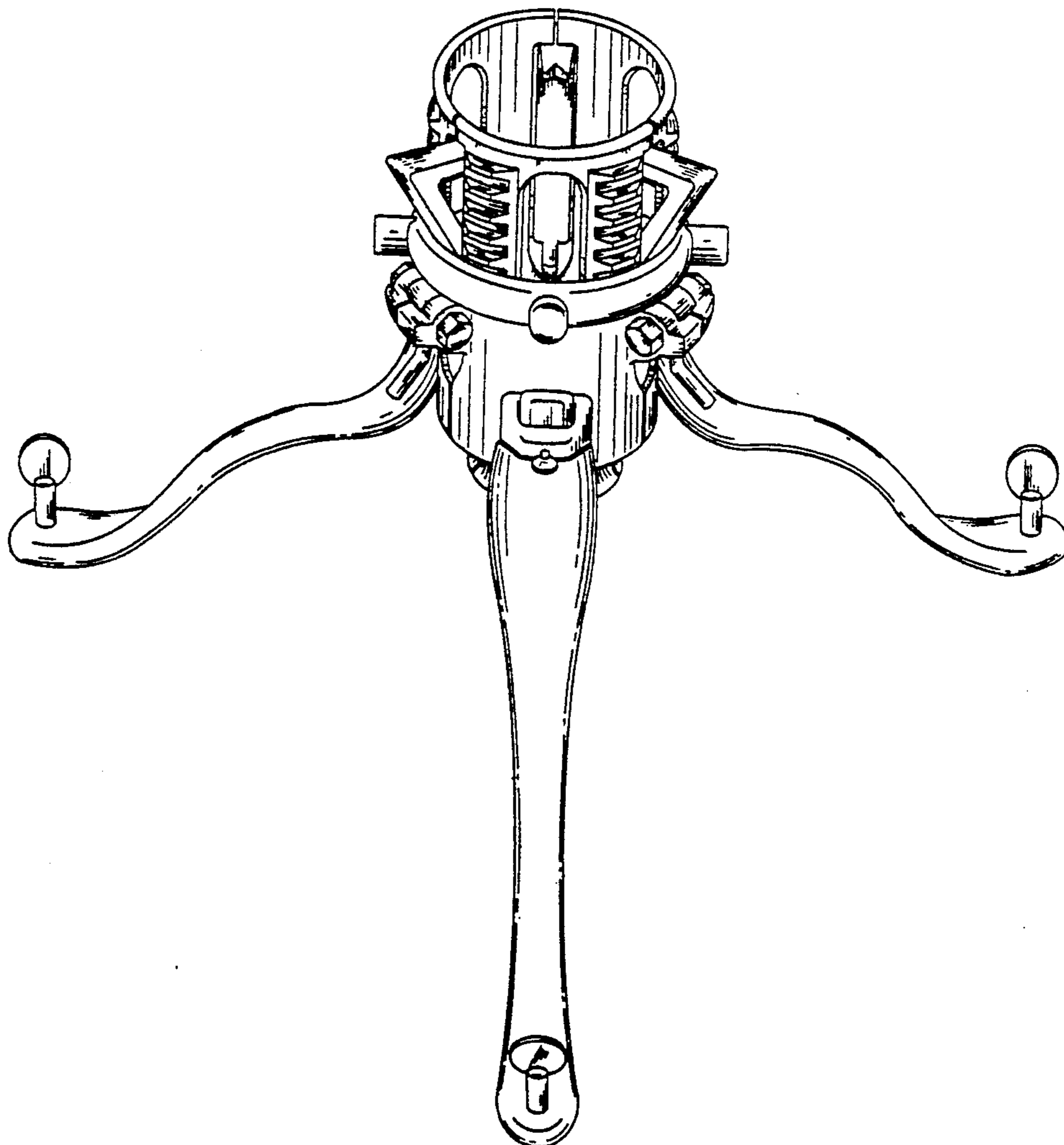
[57] CLAIM

The ornamental design for a christmas tree stand, as shown.

DESCRIPTION

FIG. 1 is a perspective view of a christmas tree stand embodying my new design;
 FIG. 2 is a bottom plan view thereof;
 FIG. 3 is a top plan view thereof; and,
 FIG. 4 is a front elevation view thereof.

[56] **References Cited**
U.S. PATENT DOCUMENTS
 D. 45,193 2/1914 Kalna D11/130.1
 D. 165,928 2/1952 Parucki et al. D11/130.1



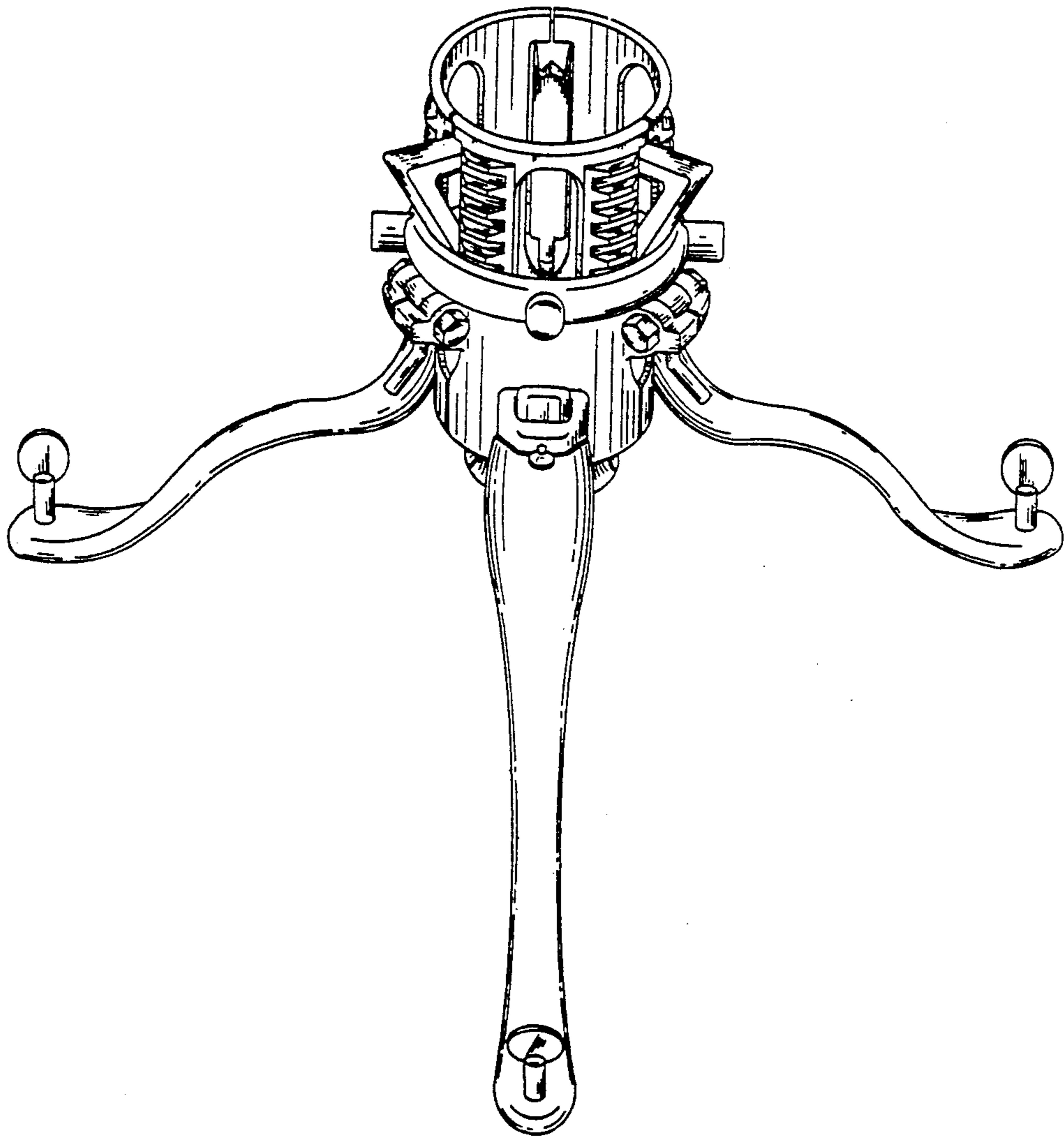


FIG. 1

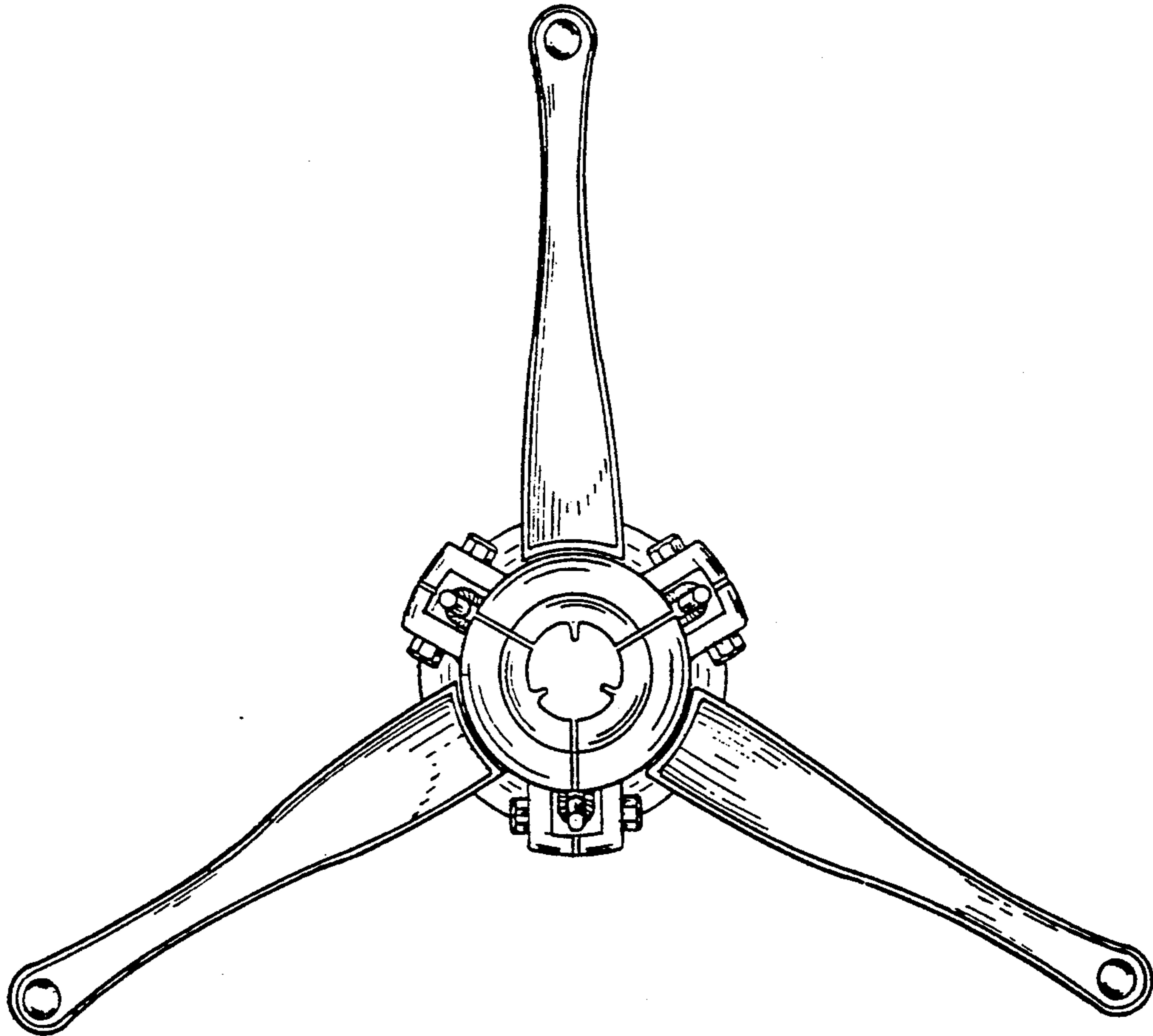


FIG. 2

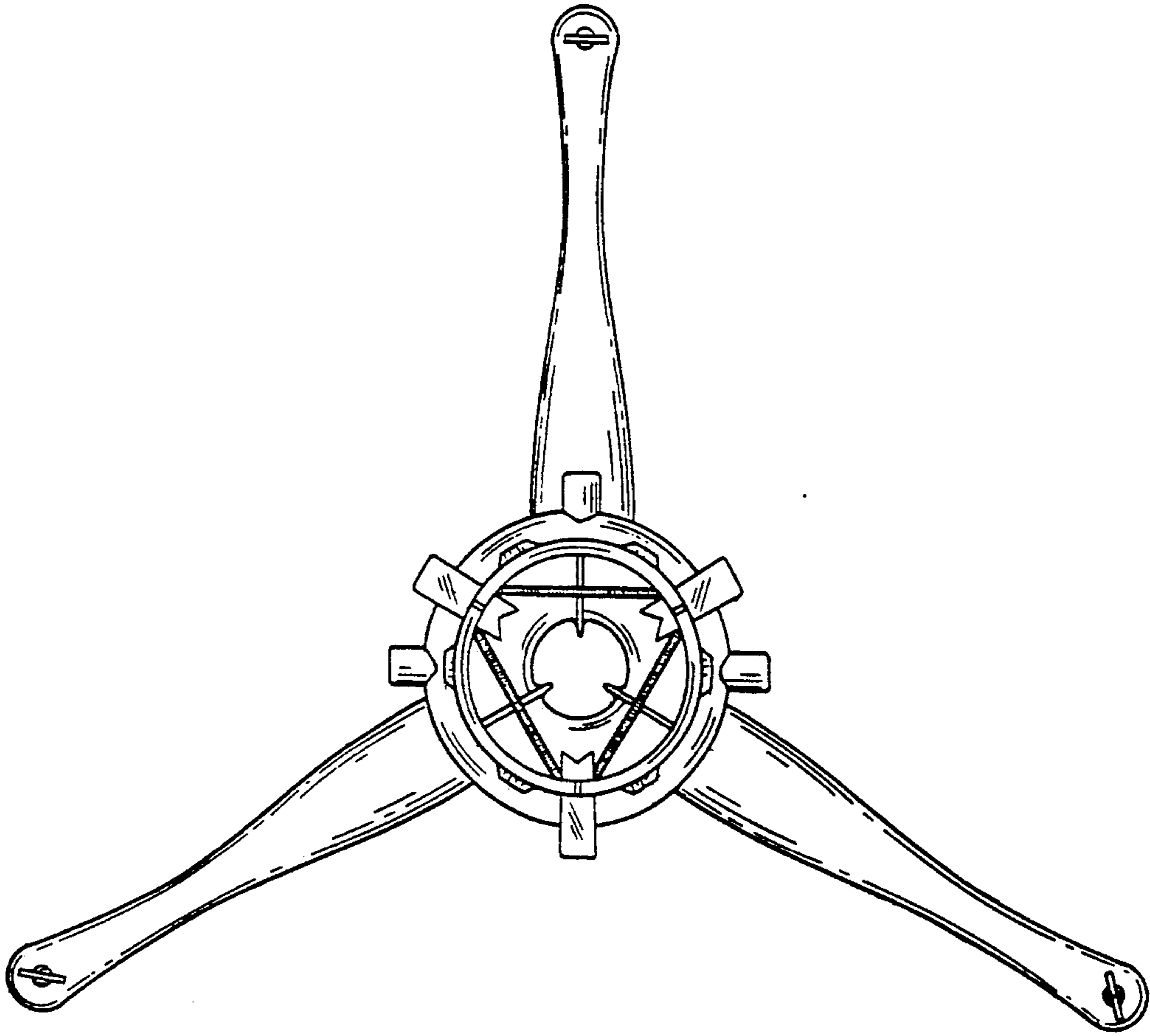


FIG.3

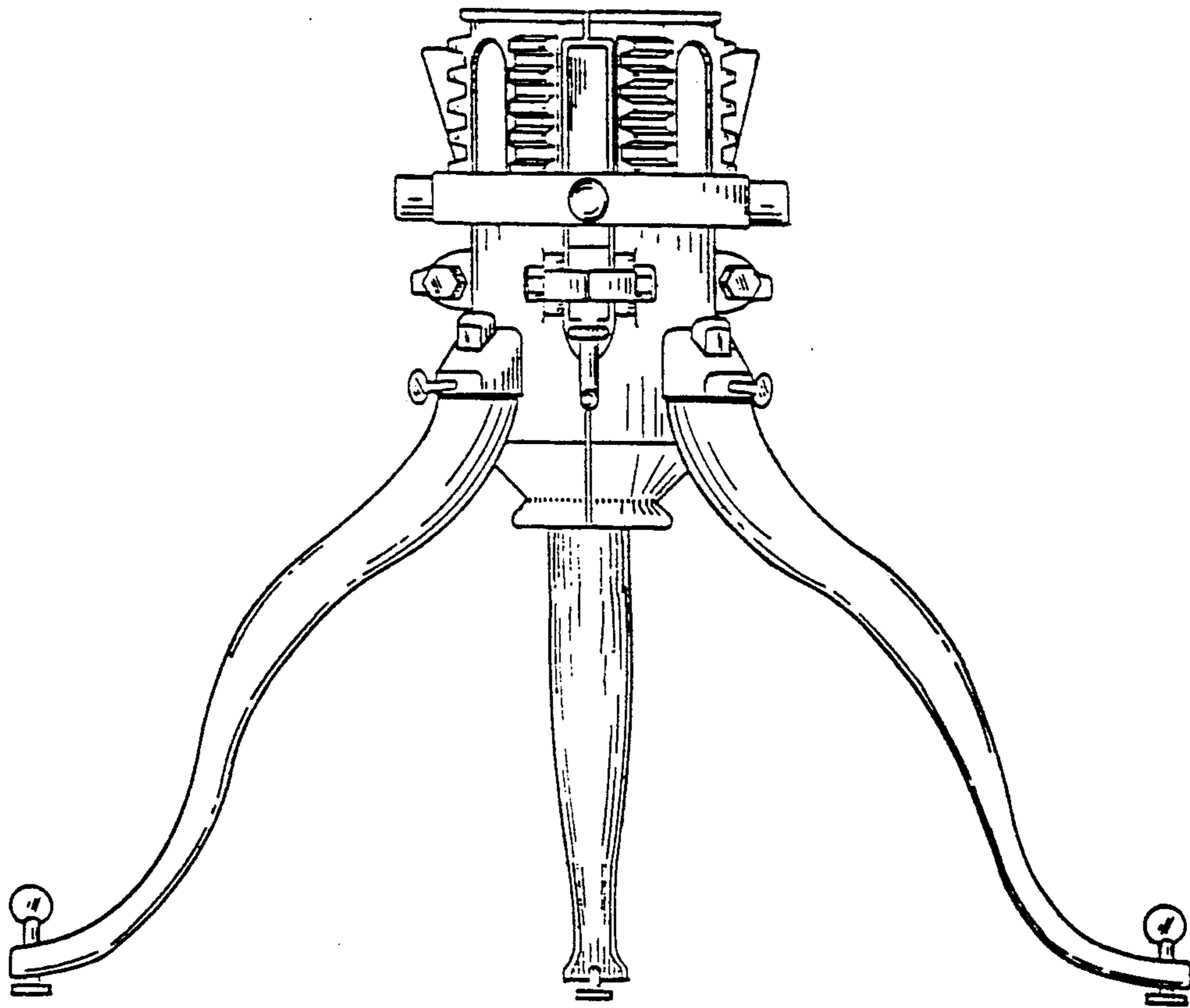


FIG.4