



US00D330343S

# United States Patent [19]

[11] Patent Number: Des. 330,343

Bedoyan

[45] Date of Patent: \*\* Oct. 20, 1992

[54] JEWELRY CHAIN

[75] Inventor: Krikor Bedoyan, North Hollywood, Calif.

[73] Assignee: Oroamerica, Inc., Burbank, Calif.

[\*\*] Term: 14 Years

[21] Appl. No.: 575,502

[22] Filed: Aug. 27, 1990

[52] U.S. Cl. .... D11/13; D11/6

[58] Field of Search ..... D11/1-25, D11/93, 94; 59/78, 78.1, 79.3-85, 90; 63/1.1-6

[56] **References Cited**

**U.S. PATENT DOCUMENTS**

|            |        |                         |        |
|------------|--------|-------------------------|--------|
| D. 256,789 | 9/1980 | Mazzini .....           | D11/13 |
| D. 321,148 | 8/1991 | Chiaramorti et al. .... | D11/12 |
| 4,651,517  | 3/1987 | Benhama et al. ....     | 59/80  |

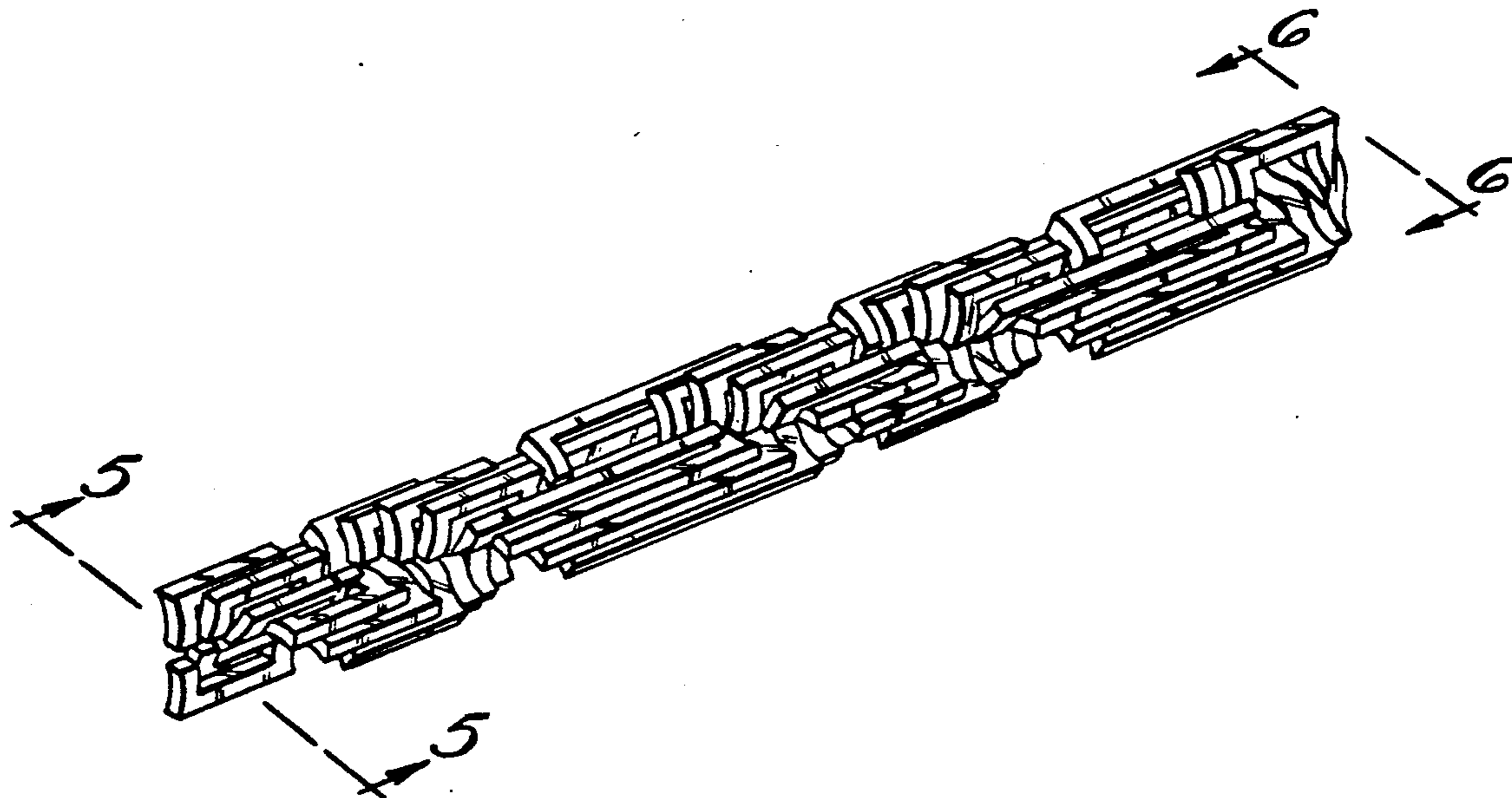
Primary Examiner—A. Hugo Word  
Assistant Examiner—R. Seifert

[57] **CLAIM**

The ornamental design for a jewelry chain, as shown and described.

**DESCRIPTION**

FIG. 1 is a perspective view of an individual link of a jewelry chain showing my new design;  
 FIG. 2 is a perspective of a second individual link of the jewelry chain;  
 FIG. 3 is a perspective view of a jewelry chain showing my new design, comprised of links as shown in FIGS. 1 and 2;  
 FIG. 4 is a side elevational view of FIG. 3;  
 FIG. 5 is a cross sectional view taken along the lines 5—5 of FIG. 3; and,  
 FIG. 6 is a cross sectional view taken along the lines 6—6 of FIG. 3.



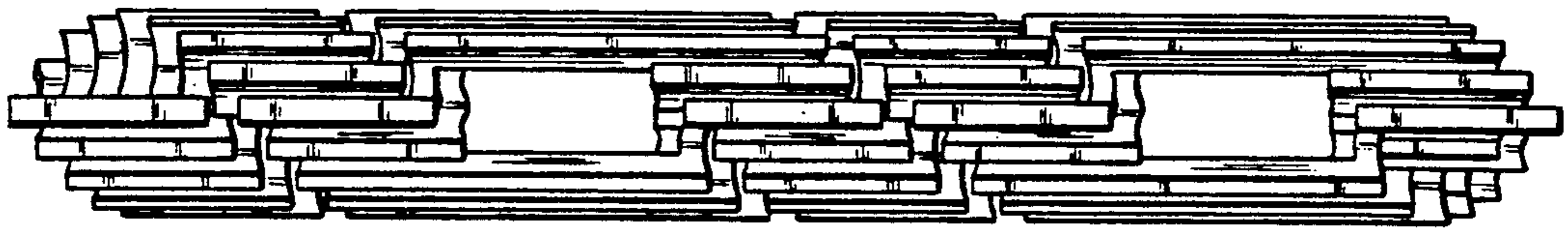
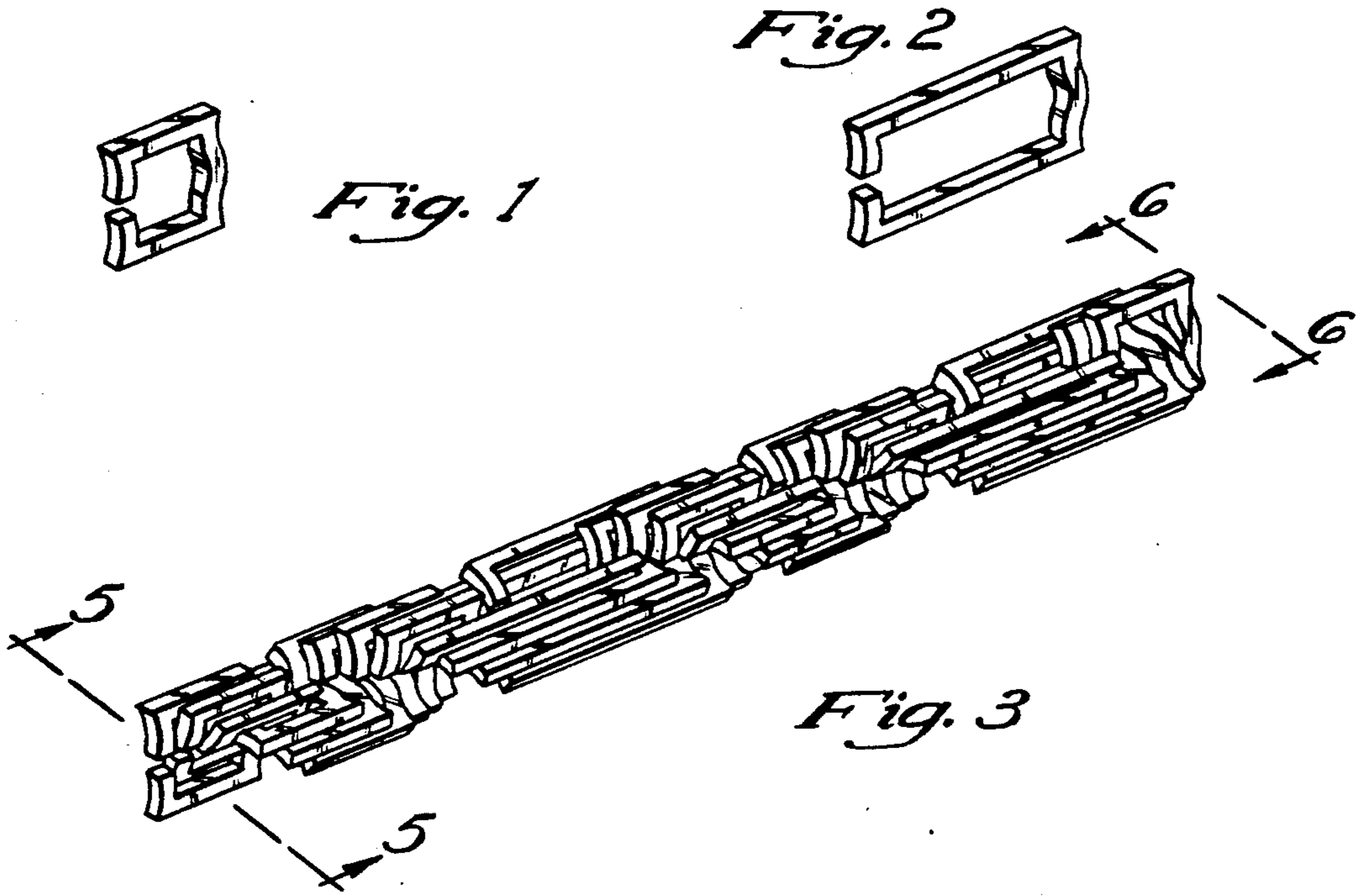


Fig. 4

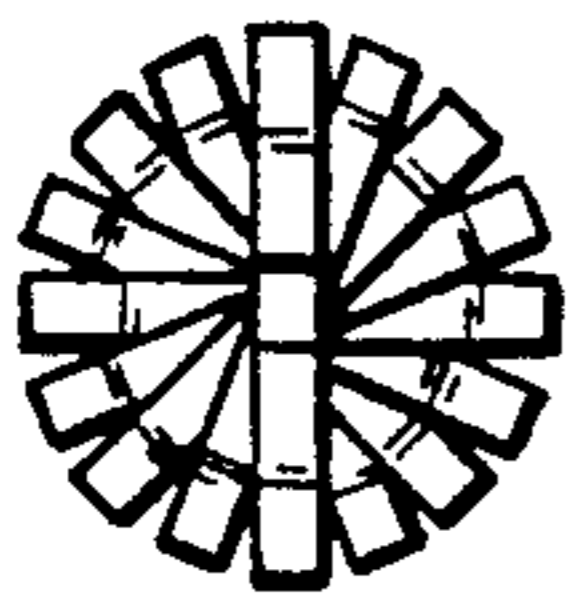


Fig. 5

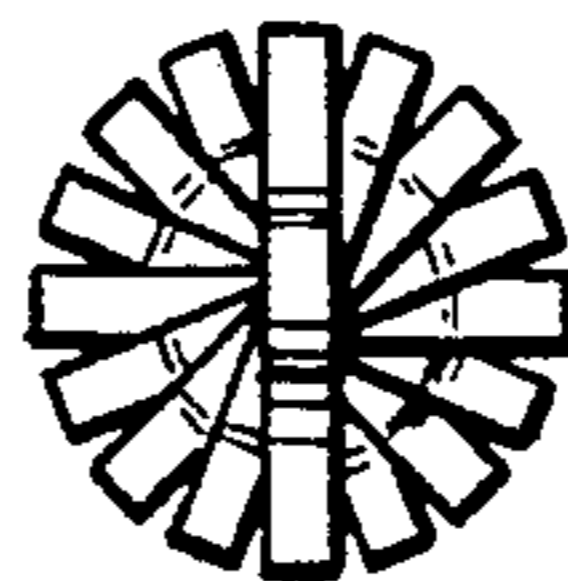


Fig. 6