



US00D330336S

United States Patent [19]

[11] Patent Number: **Des. 330,336**

Baarman

[45] Date of Patent: **** Oct. 20, 1992**

[54] SOLAR POWERED TEMPERATURE MONITOR

[75] Inventor: **David W. Baarman, Zeeland, Mich.**

[73] Assignee: **Demuirgic Design, Inc., Holland, Mich.**

[**] Term: **14 Years**

[21] Appl. No.: **480,526**

[22] Filed: **Feb. 15, 1990**

[52] U.S. Cl. **D10/49; D10/52**

[58] Field of Search **D10/49-50, D10/51, 52; 340/584, 586, 600; 374/120, 121, 122, 124, 132, 208, 210**

[56] References Cited

U.S. PATENT DOCUMENTS

D. 313,560	1/1991	Kummunsalo	D10/57
3,890,836	6/1975	McKenzic et al.	374/1 X
4,712,095	12/1987	Georgis, II	340/584
4,996,909	3/1991	Vaché et al.	374/208 X

OTHER PUBLICATIONS

Hoffman Descriptive Bulletin A-42, dated Feb., 1988, pp. 197-200.

Primary Examiner—Nelson C. Holtje
Assistant Examiner—Antoine D. Davis
Attorney, Agent, or Firm—Price, Heneveld, Cooper, DeWitt & Litton

[57] CLAIM

The ornamental design for a solar powered temperature monitor, as shown.

DESCRIPTION

FIG. 1 is a top, front and left side perspective view of a solar powered temperature monitor showing my new design; FIG. 2 is a left side elevational view; FIG. 3 is a top plan view; FIG. 4 is a bottom plan view; FIG. 5 is a right side elevational view; FIG. 6 is a front elevational view; and, FIG. 7 is a rear elevational view thereof. FIG. 1 has been drawn on an enlarged scale with respect to FIGS. 2-7.

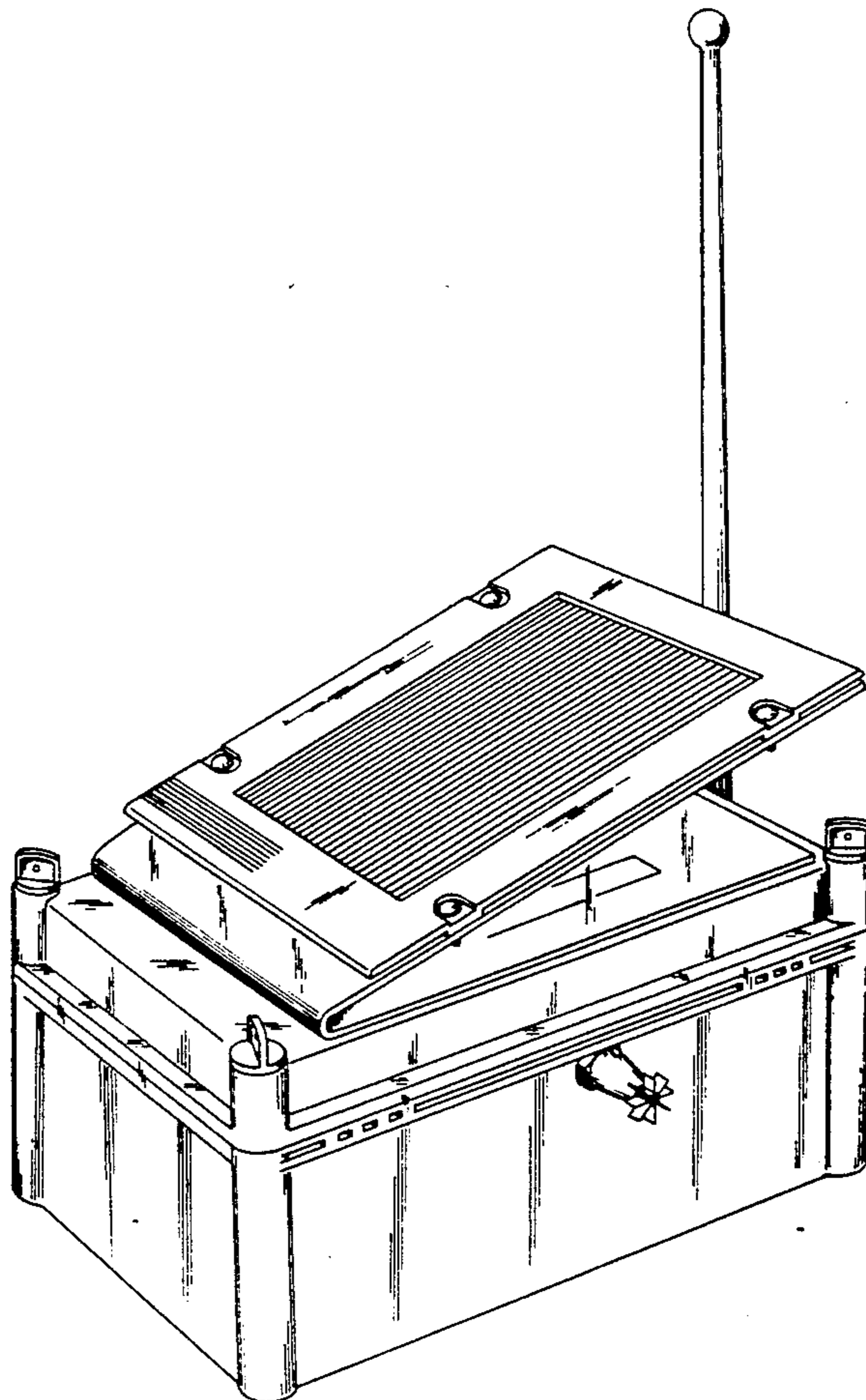


FIG. 1

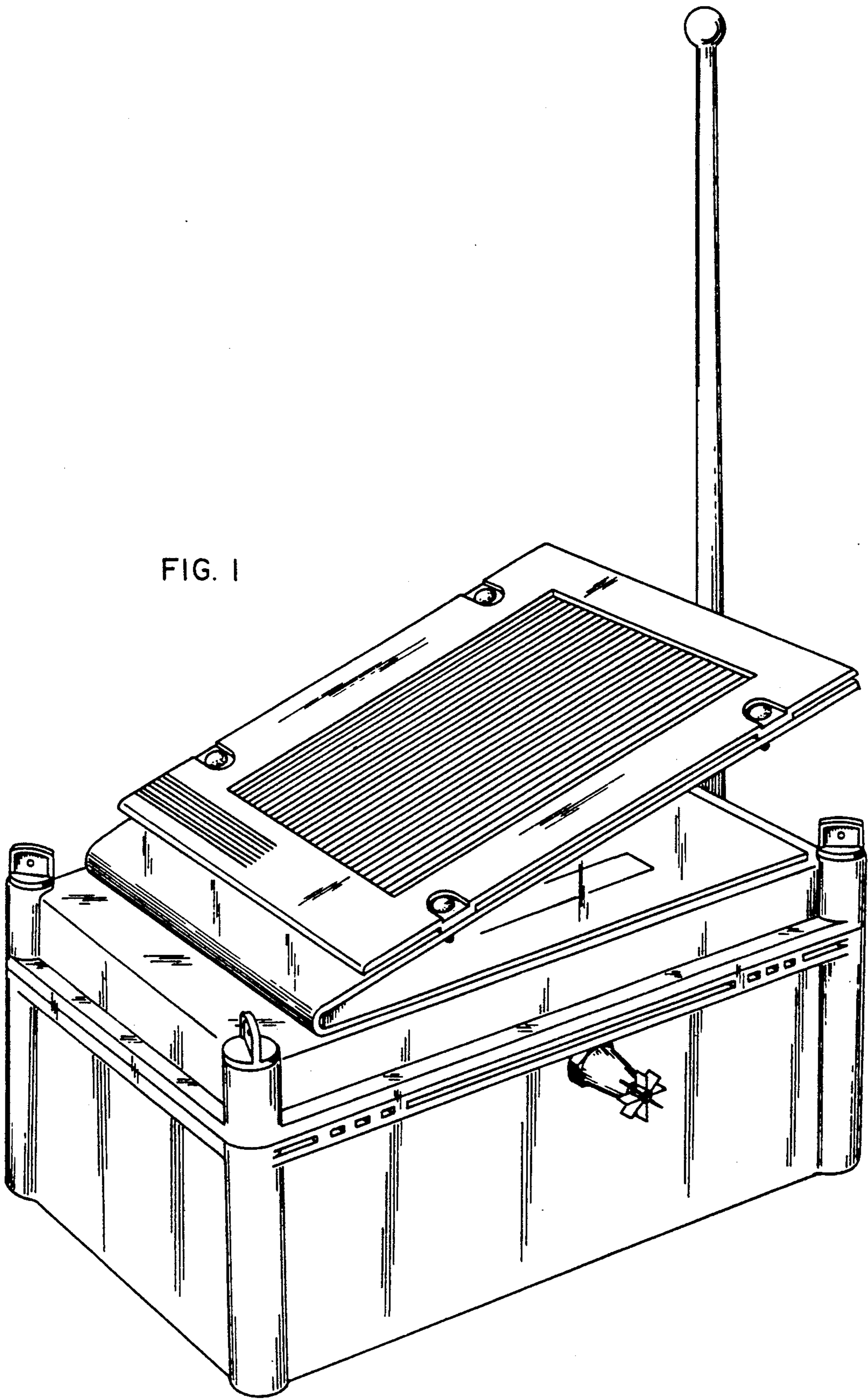


FIG. 2

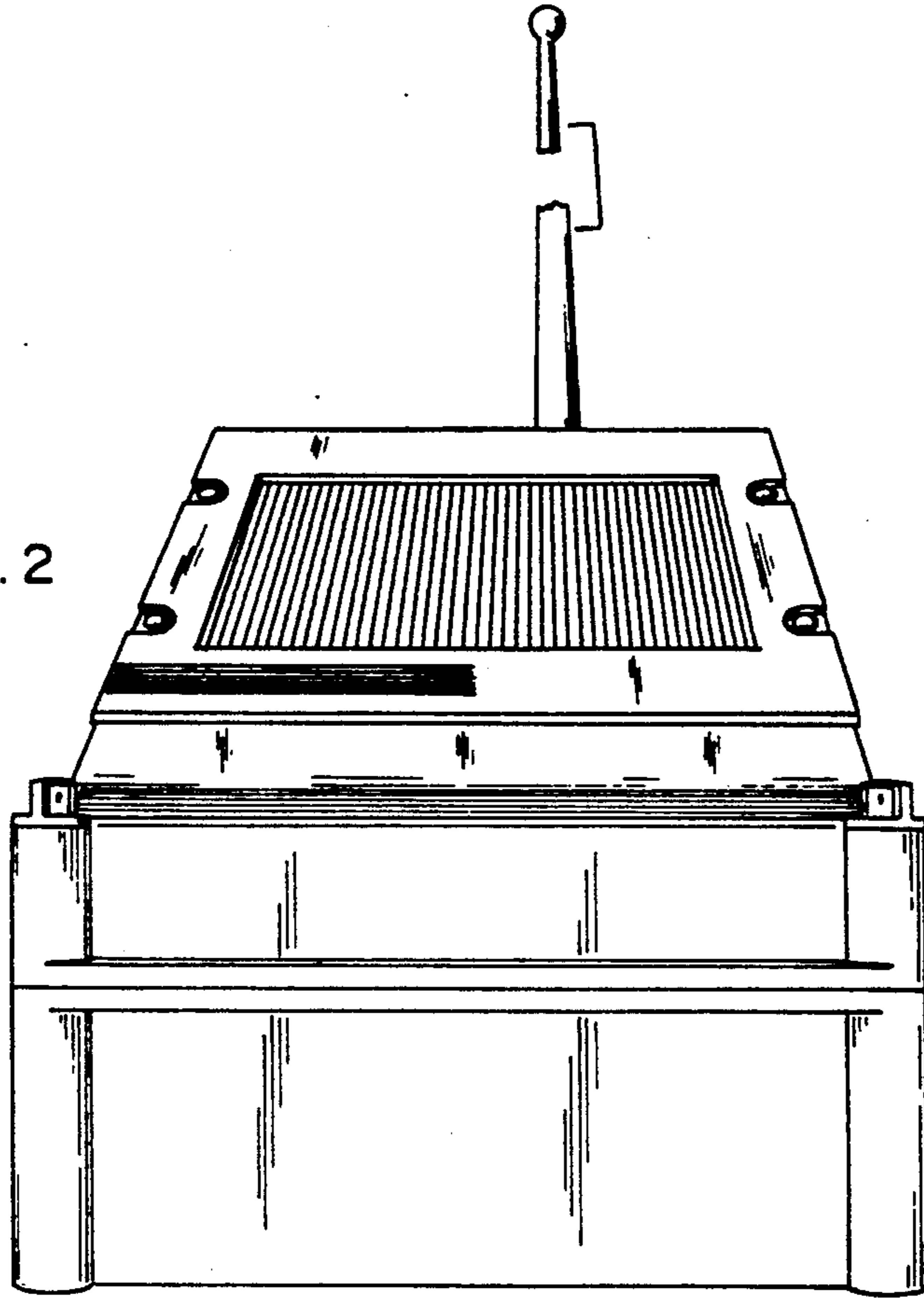


FIG. 3

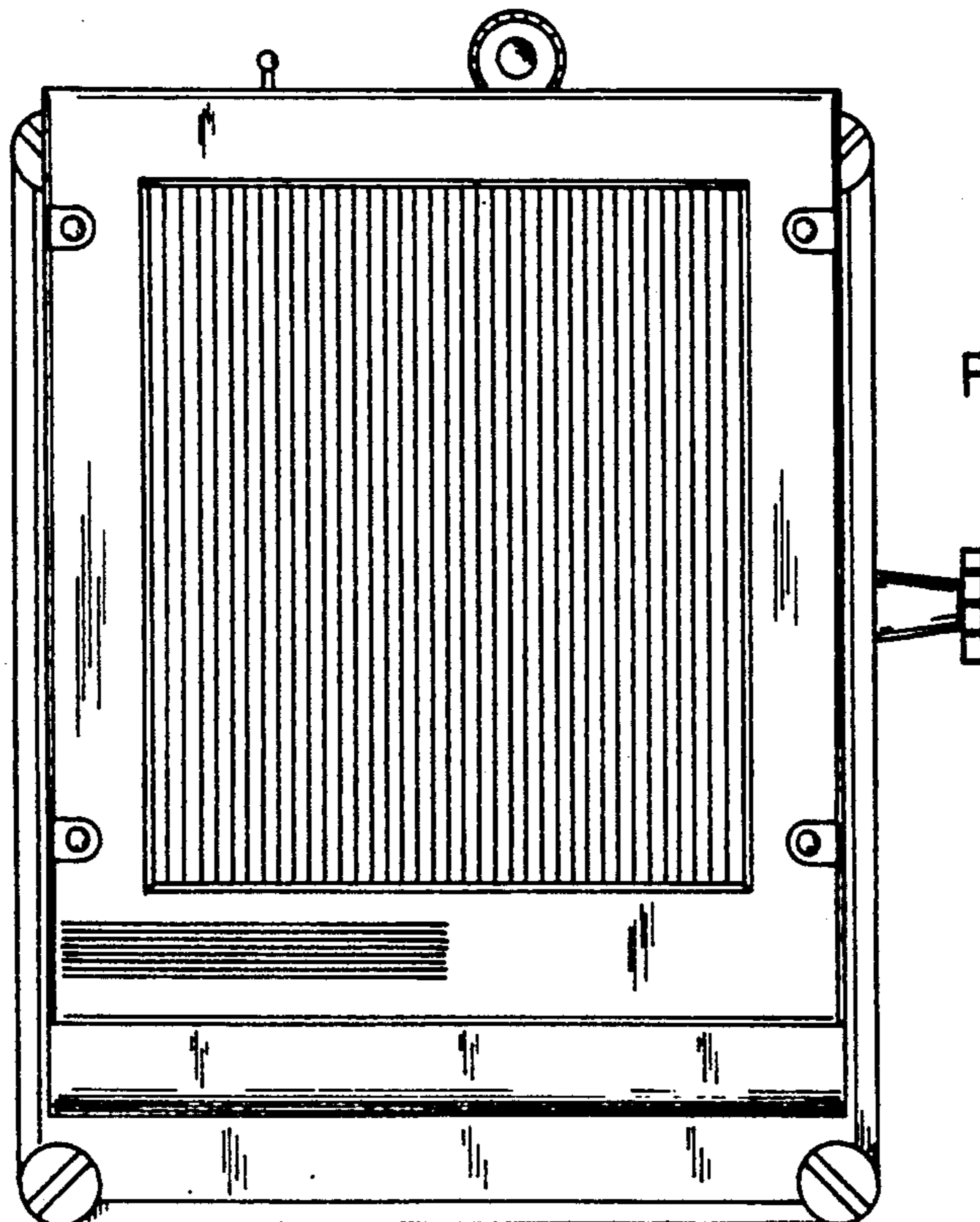


FIG. 4

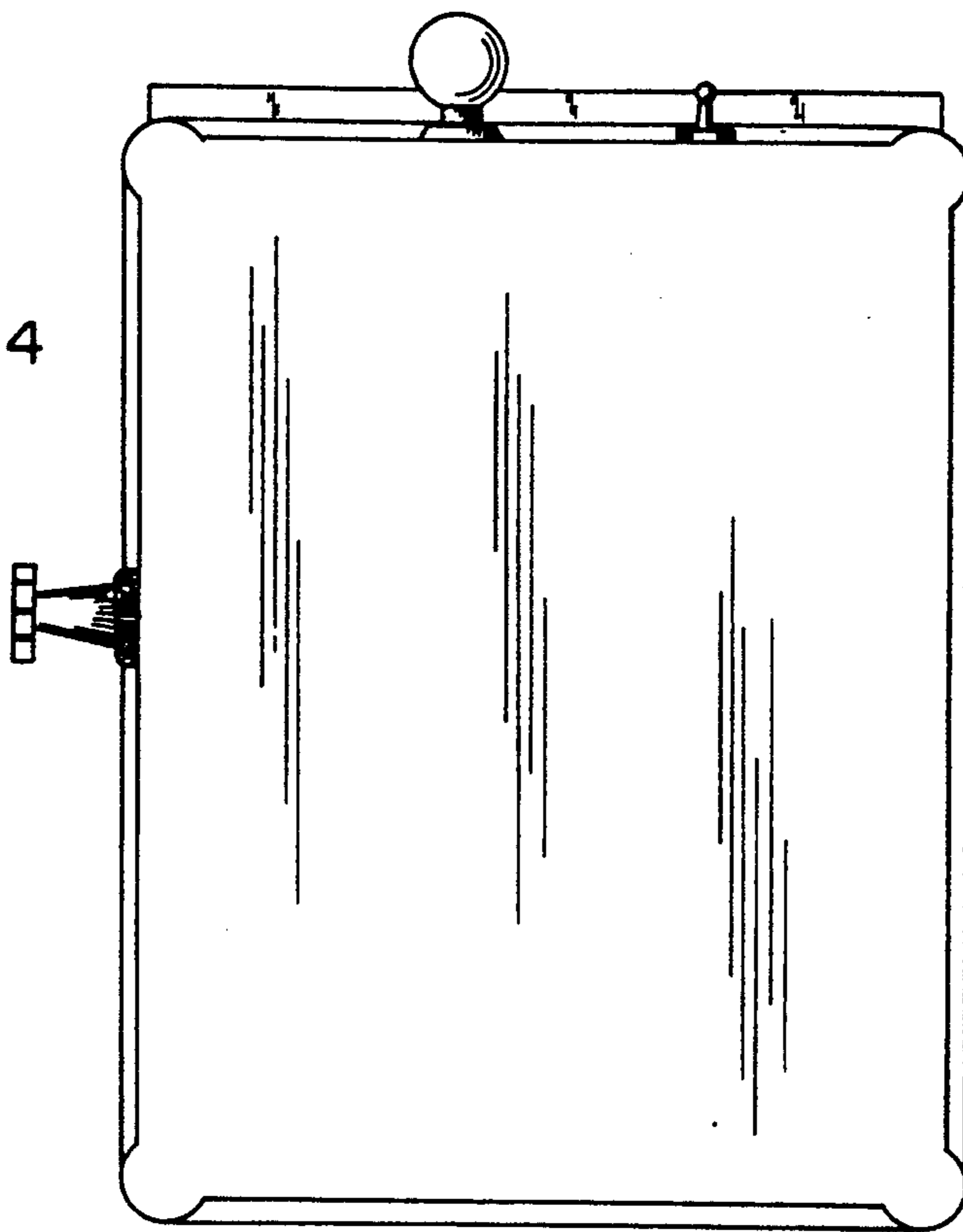
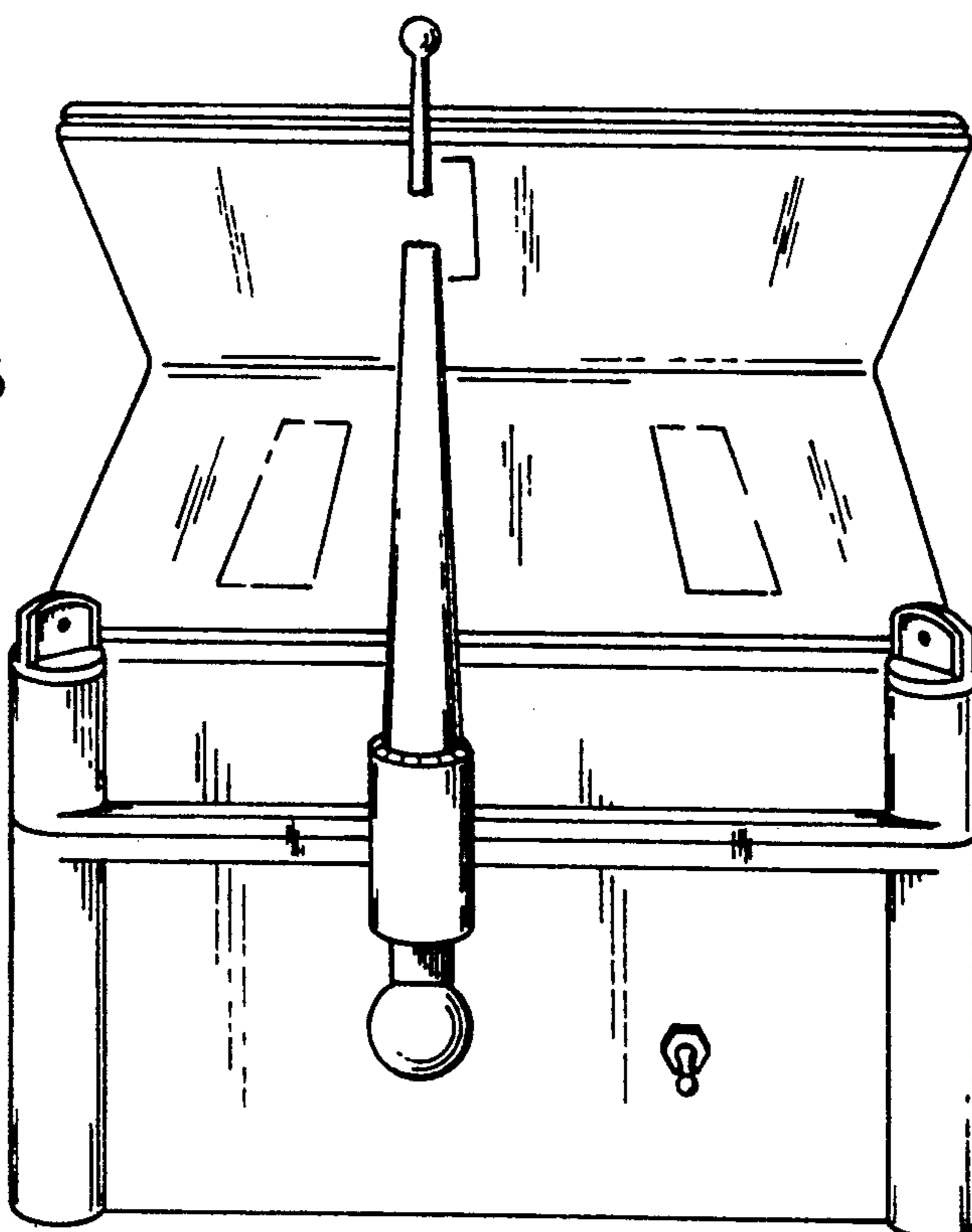


FIG. 5



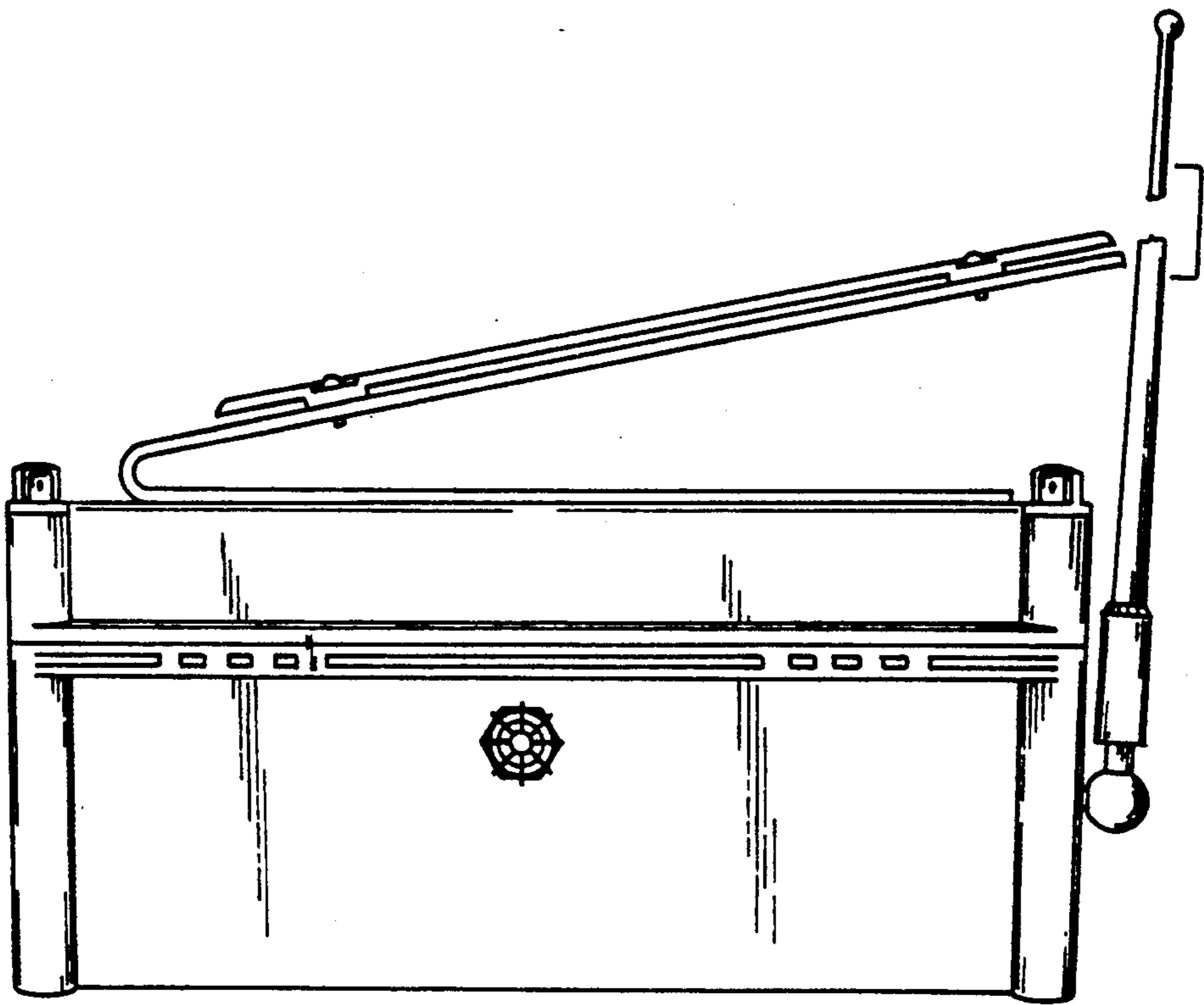


FIG. 6

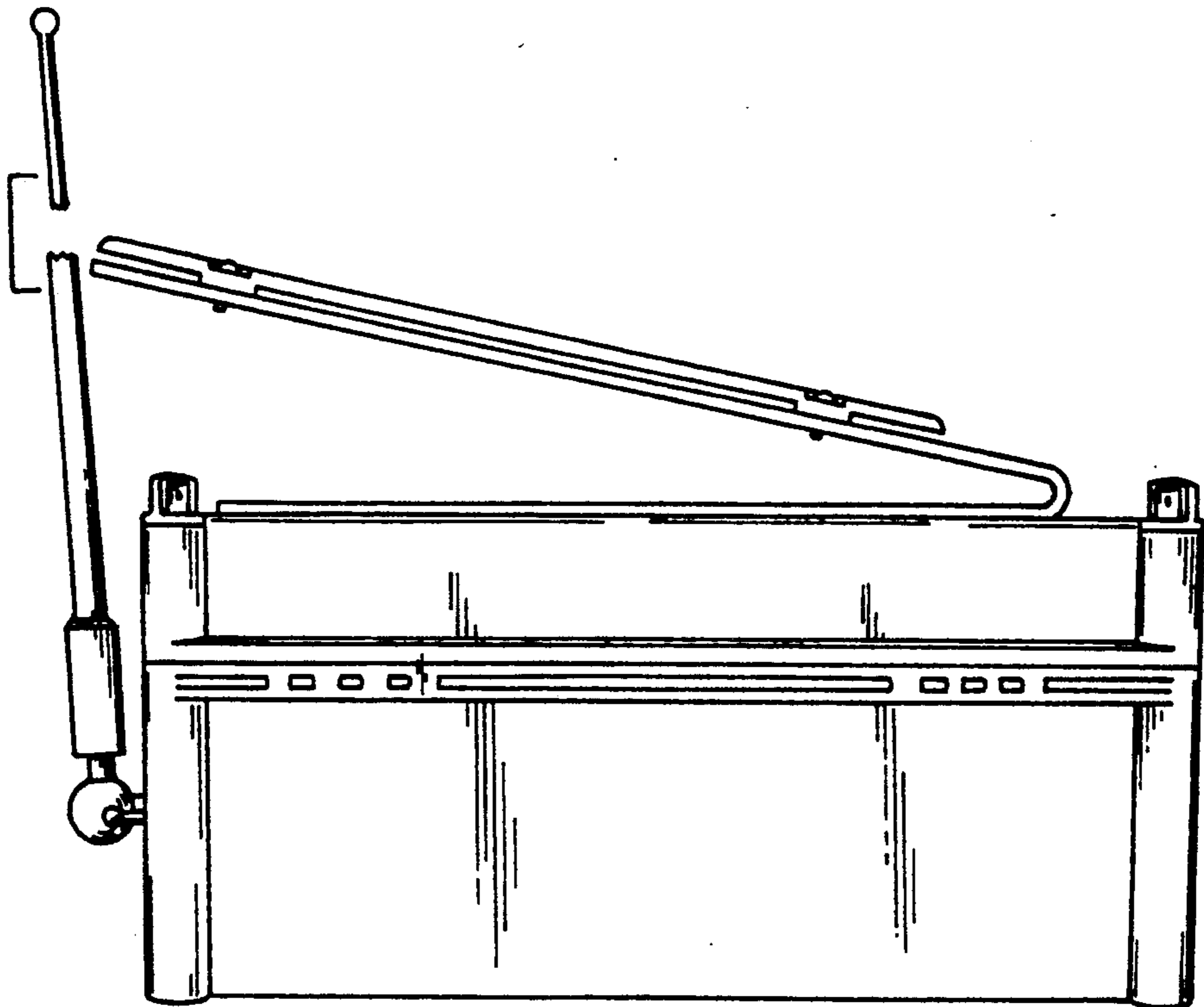


FIG. 7