



US00D330333S

# United States Patent [19]

[11] Patent Number: **Des. 330,333**

Williams

[45] Date of Patent: **\*\* Oct. 20, 1992**

[54] **PARTITIONED INSERT FOR CARTONS**

[75] Inventor: **Hugh J. Williams, Laconia, N.H.**

[73] Assignee: **Mills Industries, Inc., Laconia, N.H.**

[\*\*] Term: **14 Years**

[21] Appl. No.: **695,886**

[22] Filed: **May 3, 1991**

[52] U.S. Cl. .... **D9/456; D9/434**

[58] Field of Search ..... **D9/434, 456, 499; 220/510, 532, 533**

[56] **References Cited**

**U.S. PATENT DOCUMENTS**

D. 29,299	9/1898	Borkley .....	D9/456
D. 298,413	11/1988	Raudat .....	D9/456
3,152,744	10/1964	Vrana .....	D9/456
3,752,385	8/1973	Woodgate .....	220/510
5,052,580	10/1991	Khoury .....	220/533 X

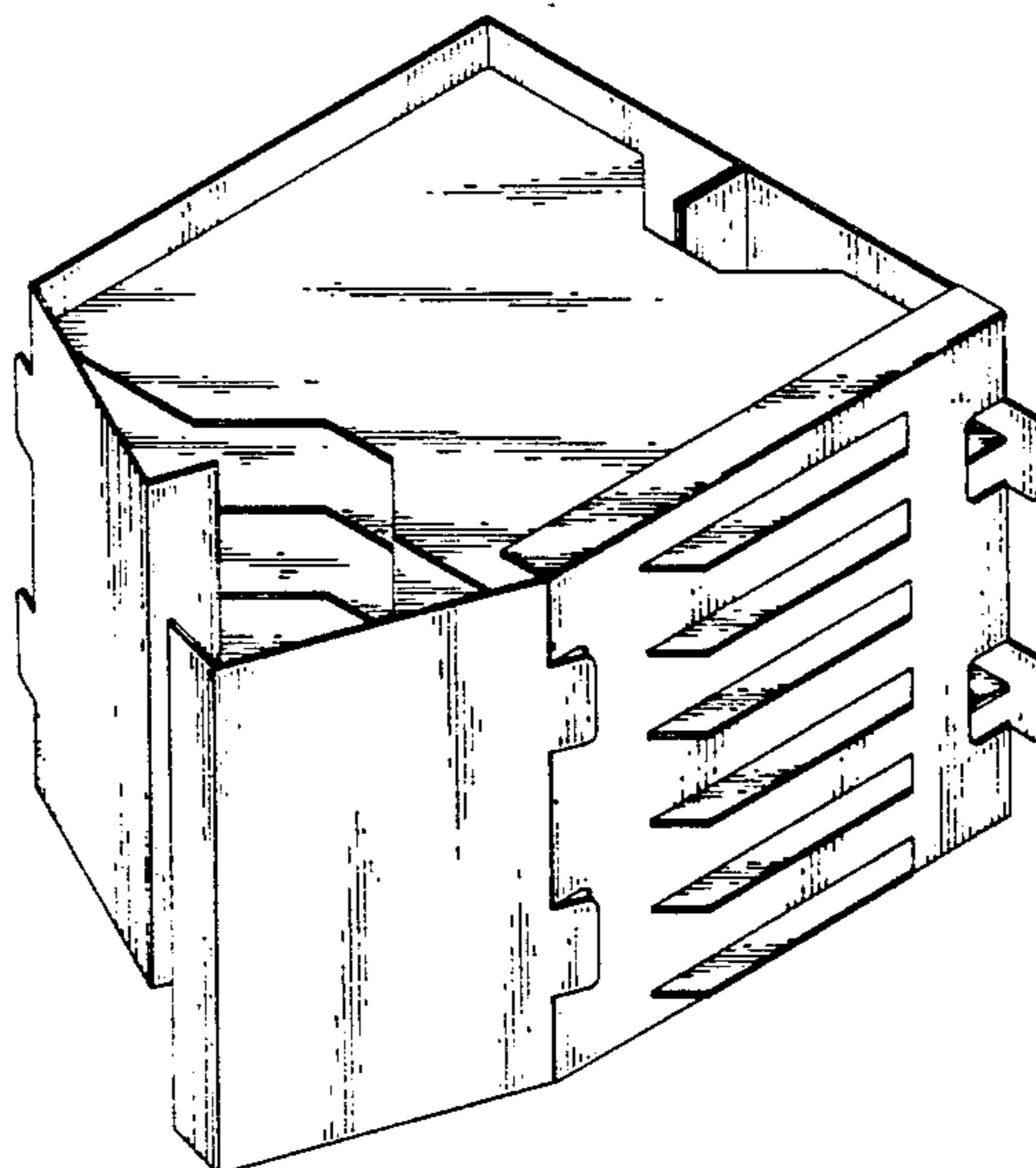
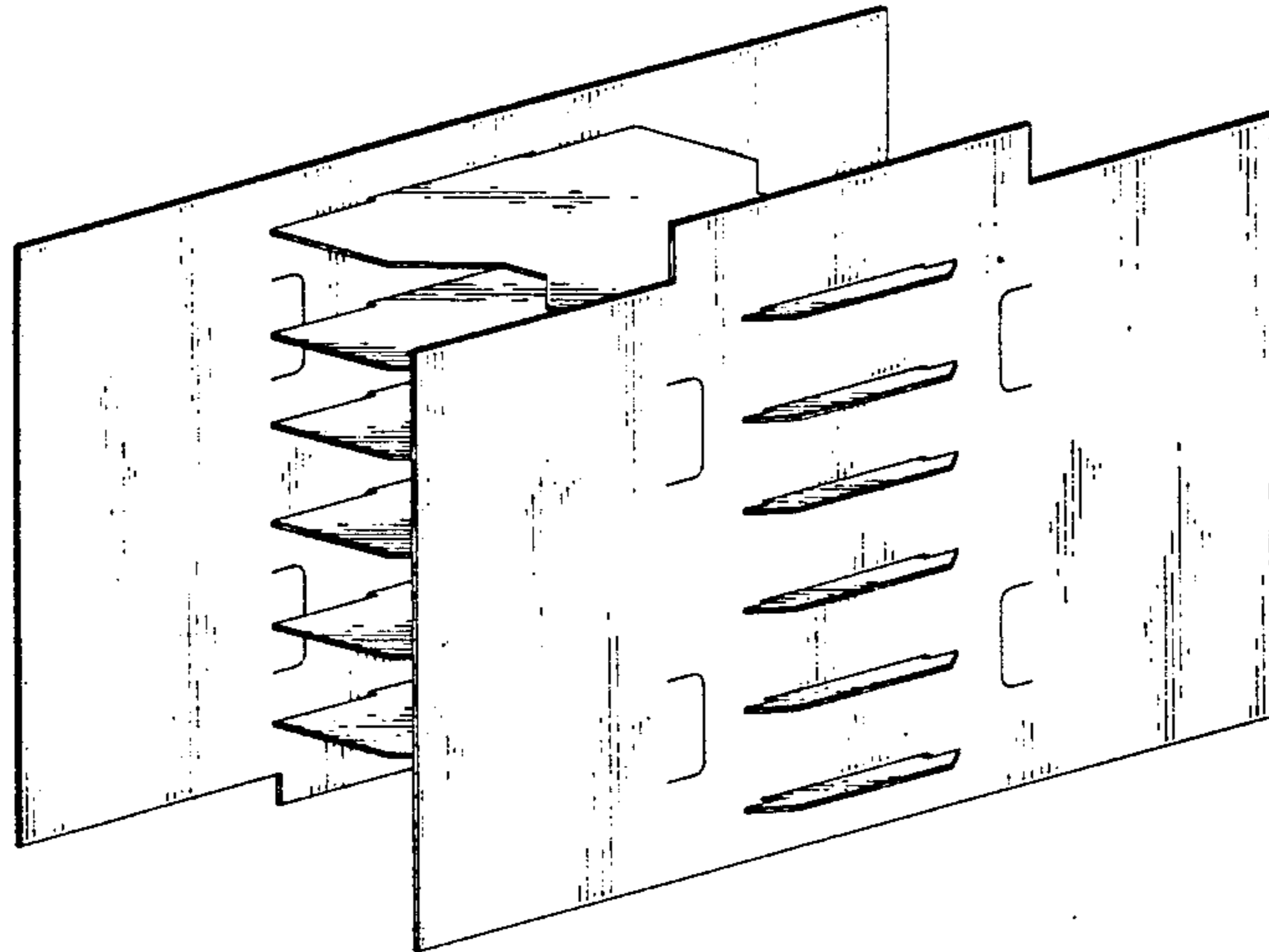
*Primary Examiner*—Bernard Ansher  
*Assistant Examiner*—Dominic Simone  
*Attorney, Agent, or Firm*—Lahive & Cockfield

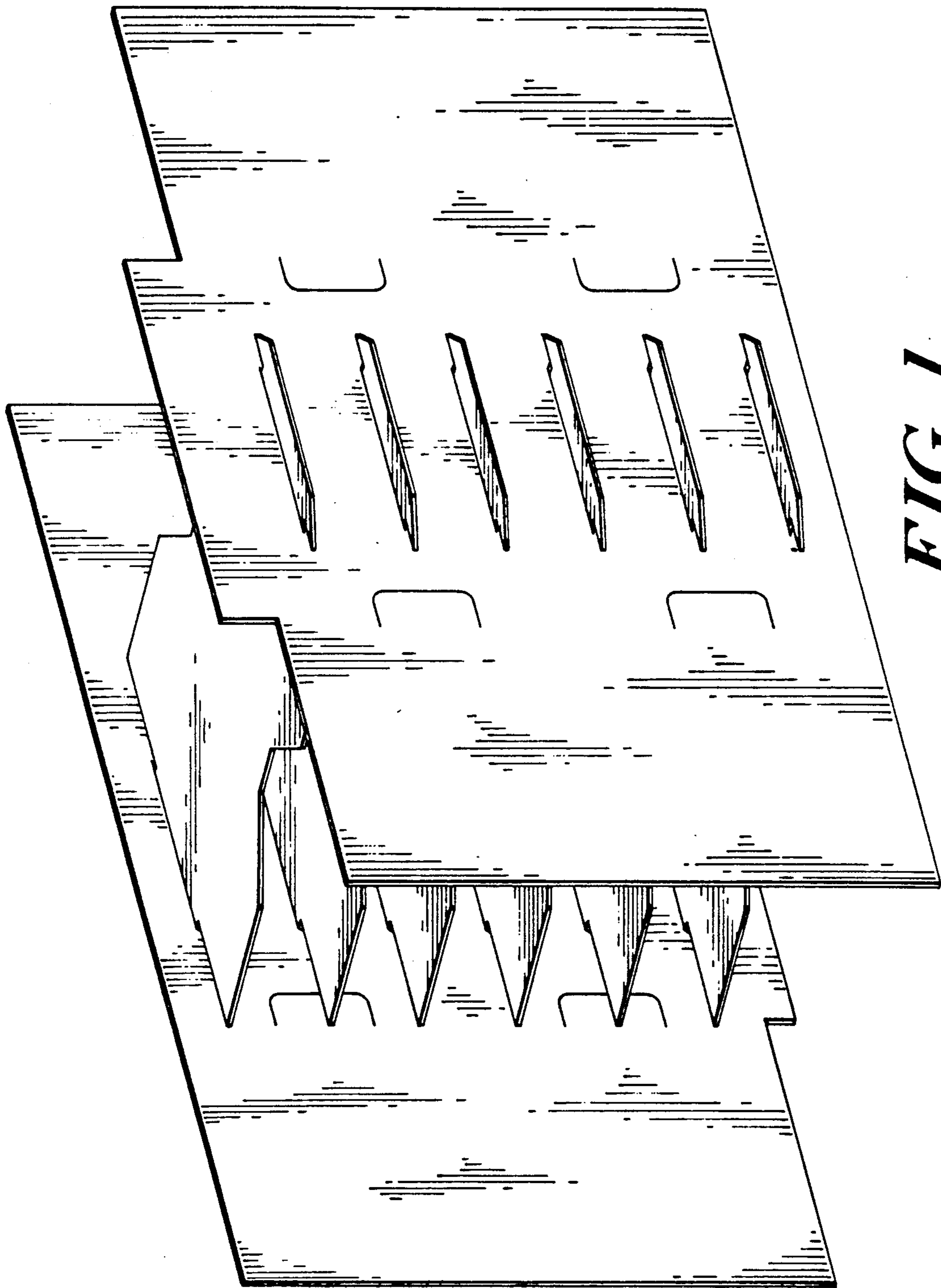
[57] **CLAIM**

The ornamental design for a partitioned insert for cartons, as shown and described.

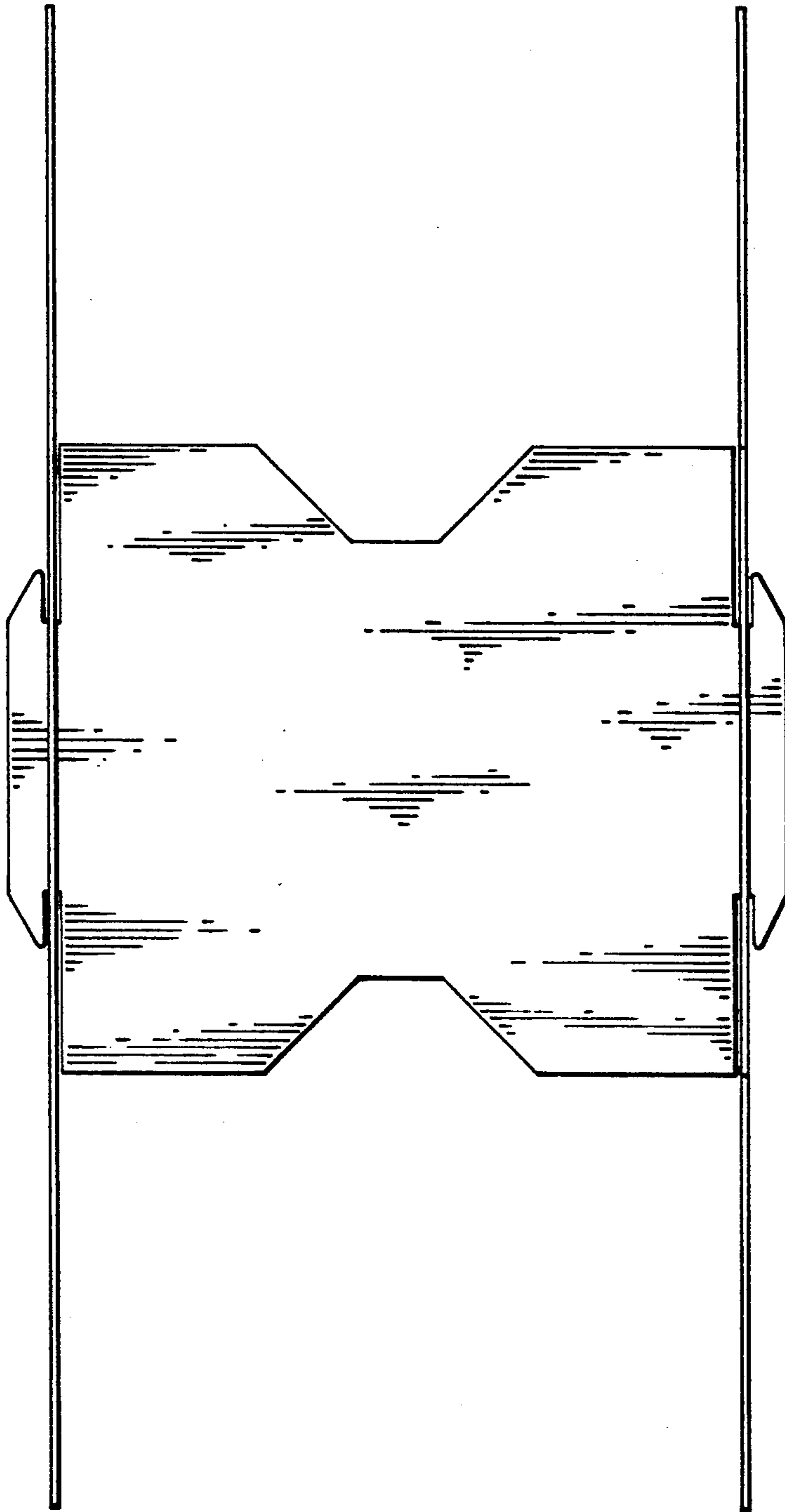
**DESCRIPTION**

FIG. 1 is a right side elevational view of a partitioned insert for cartons showing my new design; FIG. 2 is a top plan view thereof, the bottom being identical; FIG. 3 is a left side elevational view thereof; FIG. 4 is a front elevational view thereof, the rear being identical; FIG. 5 is a front elevational view thereof, in a position for storage; and, FIG. 6 is a perspective view thereof, in a closed position.

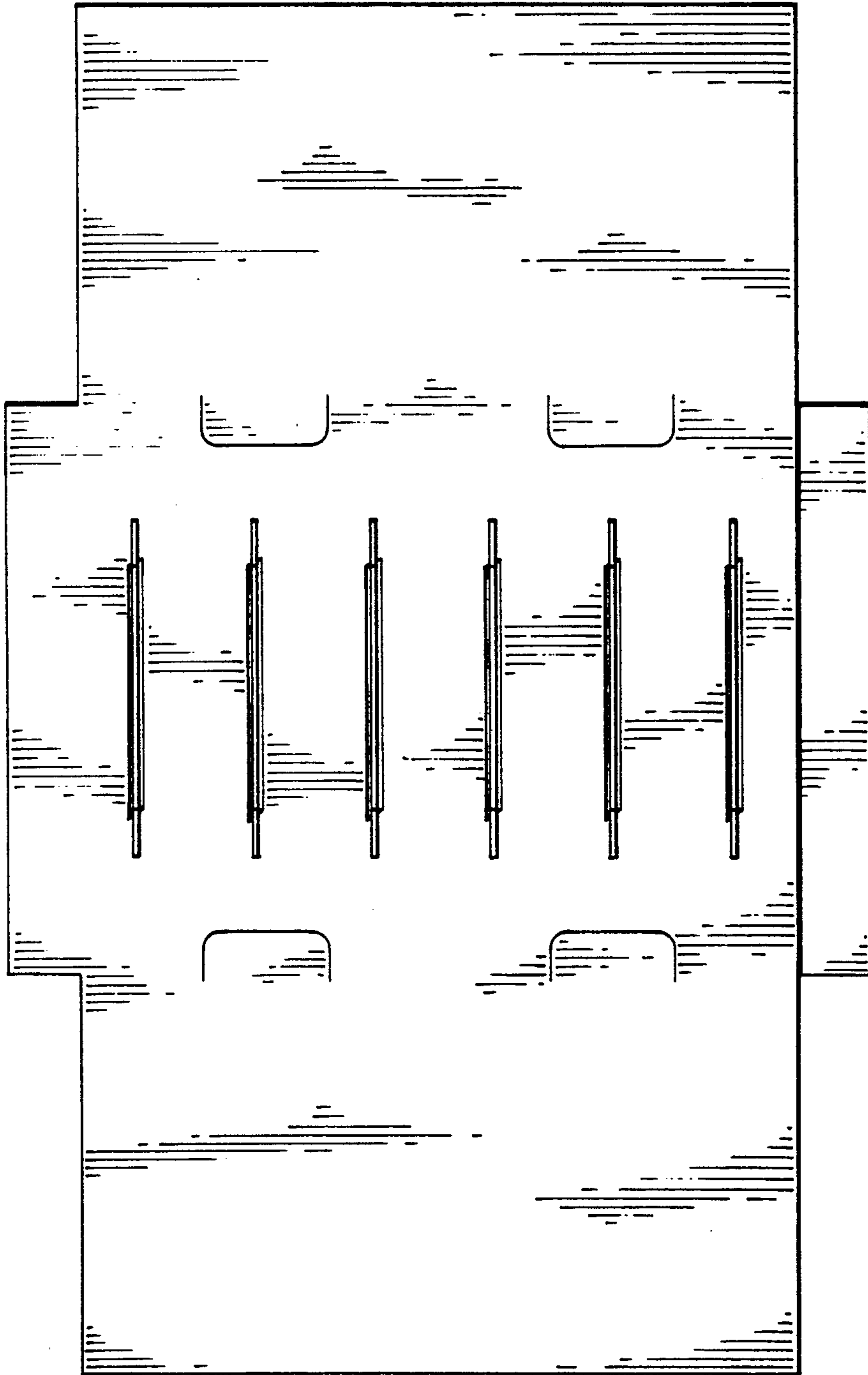




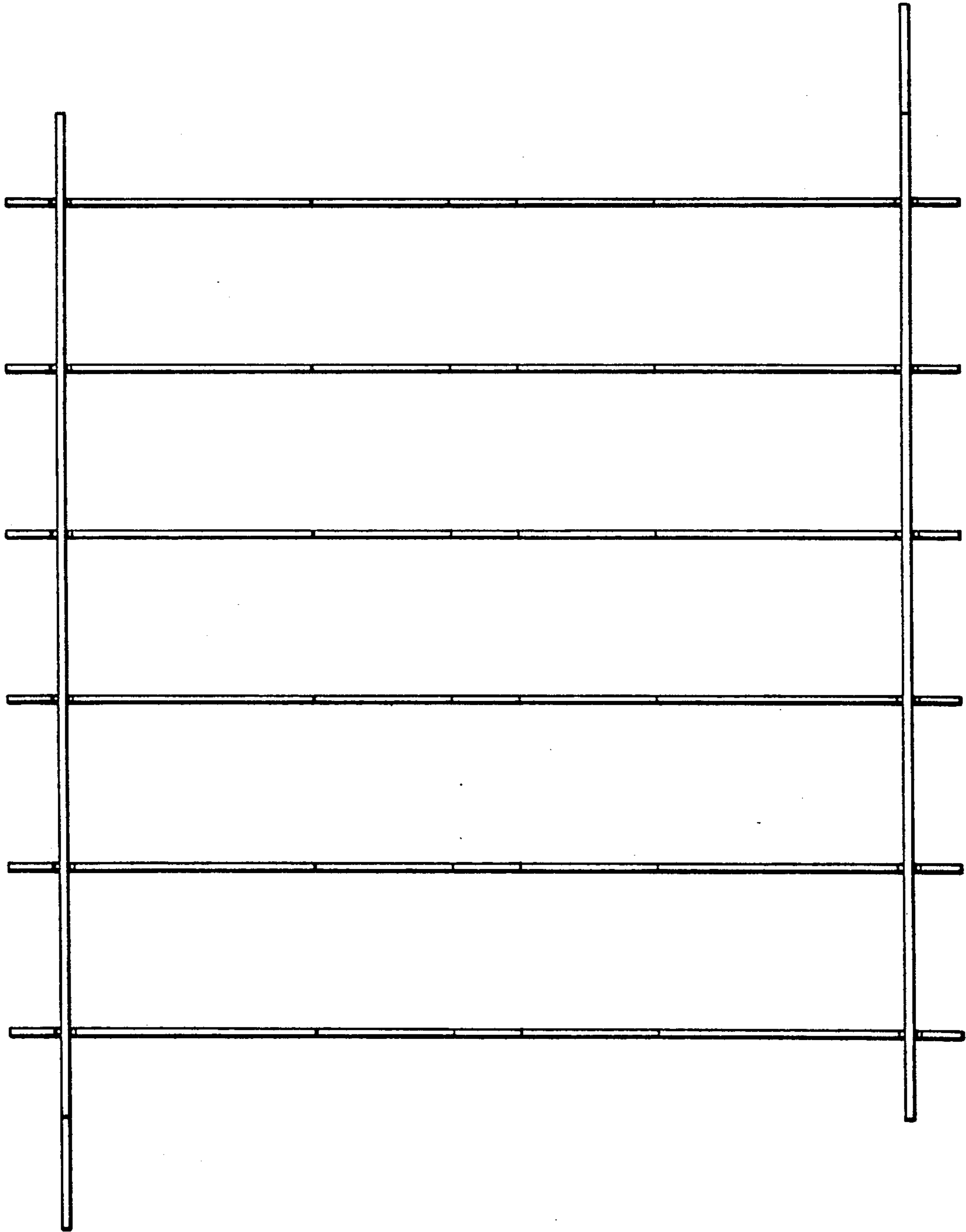
*FIG. 1*



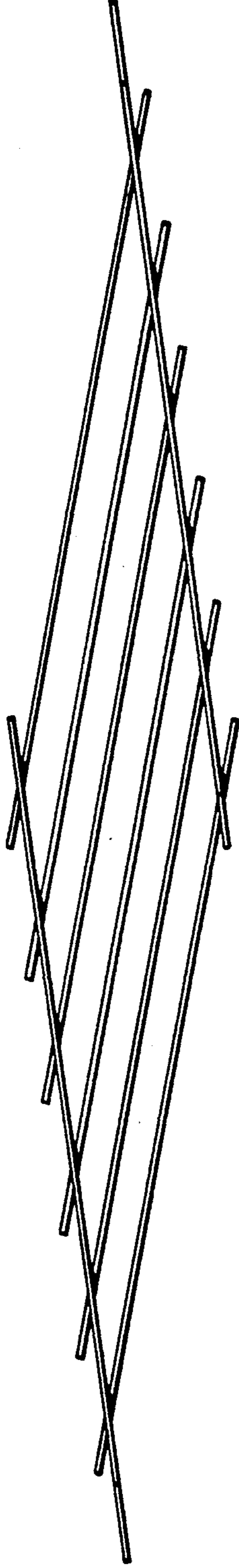
**FIG. 2**



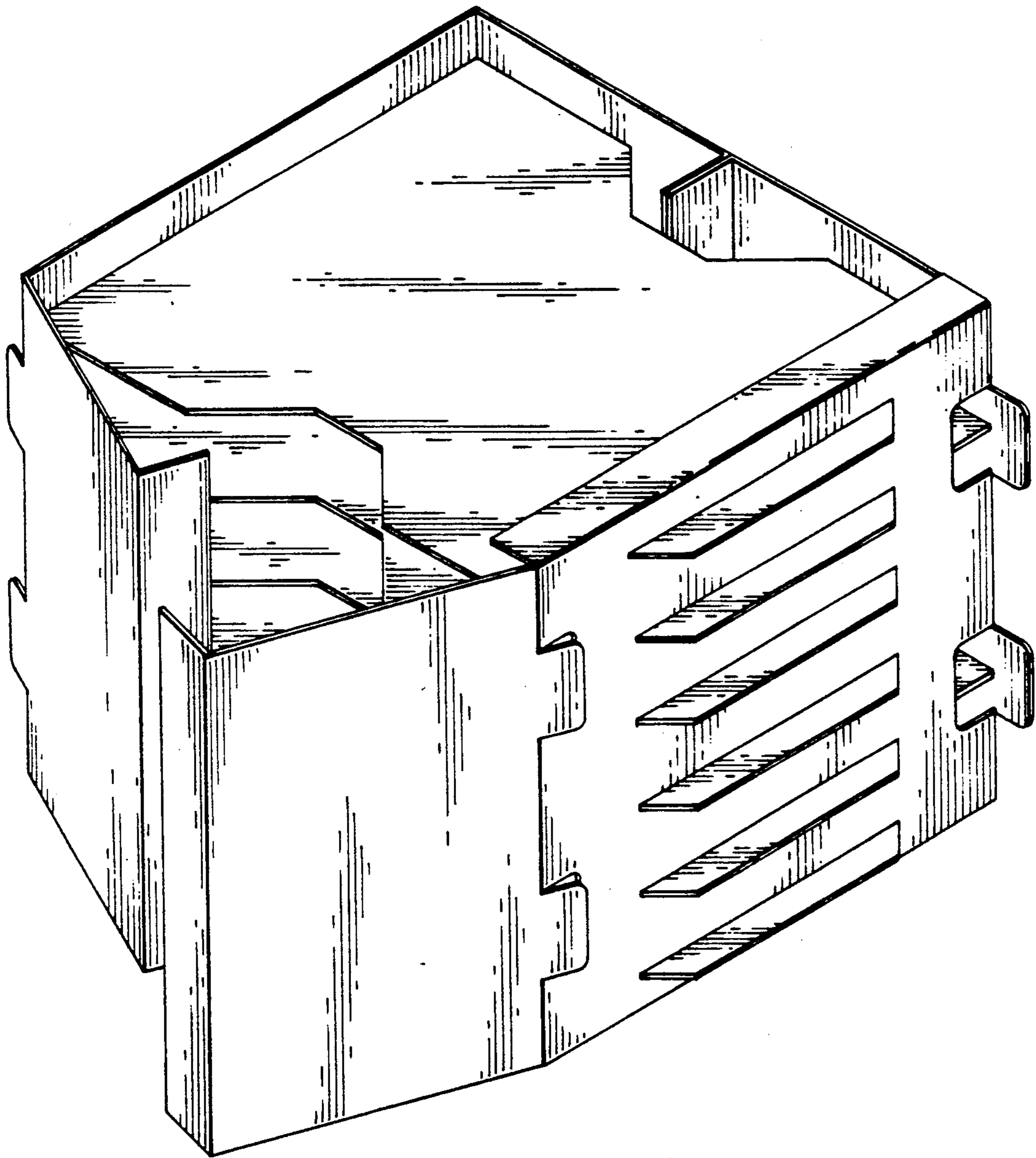
**FIG. 3**



***FIG. 4***



*FIG. 5*



**FIG. 6**